



US00D688092S

(12) **United States Design Patent**
Arnold et al.

(10) **Patent No.:** **US D688,092 S**
(45) **Date of Patent:** **** Aug. 20, 2013**

(54) **MUG LID**

(75) Inventors: **Kent M. Arnold**, Cincinnati, OH (US);
Troy Cooksey, Cincinnati, OH (US);
Bradley M. Ruff, Bowling Green, OH (US)

(73) Assignee: **Broodle Brands, LLC**, Cincinnati, OH (US)

(**) Term: **14 Years**

(21) Appl. No.: **29/412,988**

(22) Filed: **Feb. 9, 2012**

(51) **LOC (9) Cl.** **07-02**

(52) **U.S. Cl.**
USPC **D7/392**; D9/449

(58) **Field of Classification Search**
USPC D7/300, 300.1, 391, 392, 392.1,
D7/396.2, 509-511, 523, 608, 900; D9/443,
D9/446, 447, 449, 450, 453, 454, 505;
215/11.6, 44, 224, 229, 306, 311; 220/3.75,
220/23.83, 212.5, 292, 714, 705; 222/83,
222/420, 450, 530, 543

See application file for complete search history.

(56) **References Cited**

U.S. PATENT DOCUMENTS

2,272,867	A *	2/1942	Cobel	222/473
3,964,631	A	6/1976	Albert		
3,972,443	A	8/1976	Albert		
D264,926	S *	6/1982	McClelland	D7/317
5,148,936	A	9/1992	DeGrow		
D339,023	S *	9/1993	De Coster	D7/318
5,294,014	A	3/1994	Wyatt et al.		
D392,845	S *	3/1998	Lown et al.	D7/615
5,794,771	A *	8/1998	Krawec et al.	206/223

D412,373	S *	7/1999	Krawec et al.	D27/190
6,098,834	A	8/2000	Hatsumoto et al.		
D448,995	S *	10/2001	McDonald	D9/449
6,817,280	B2 *	11/2004	Hall et al.	99/292
D536,926	S *	2/2007	Schreitmueller	D7/398
D562,623	S *	2/2008	Nybakke	D7/392
D661,581	S *	6/2012	Kallenbach et al.	D9/449
D677,118	S *	3/2013	Rosenfeld	D7/392
2006/0283859	A1	12/2006	Lu		
2009/0057324	A1	3/2009	Wu		

OTHER PUBLICATIONS

U.S. Appl. No. 13/227,914, filed Sep. 8, 2011, Kent M. Arnold et al.
U.S. Appl. No. 13/369,926, filed Feb. 9, 2012, Kent M. Arnold et al.
U.S. Appl. No. 29/412,988, filed Feb. 9, 2012, Kent M. Arnold et al.
U.S. Appl. No. 29/412,992, filed Feb. 9, 2012, Kent M. Arnold et al.
U.S. Appl. No. 29/412,993, filed Feb. 9, 2012, Kent M. Arnold et al.

(Continued)

Primary Examiner — Susan E Krakower

(74) *Attorney, Agent, or Firm* — Hasse & Nesbitt LLC; W. Charles Ehlers; Daniel F. Nesbitt

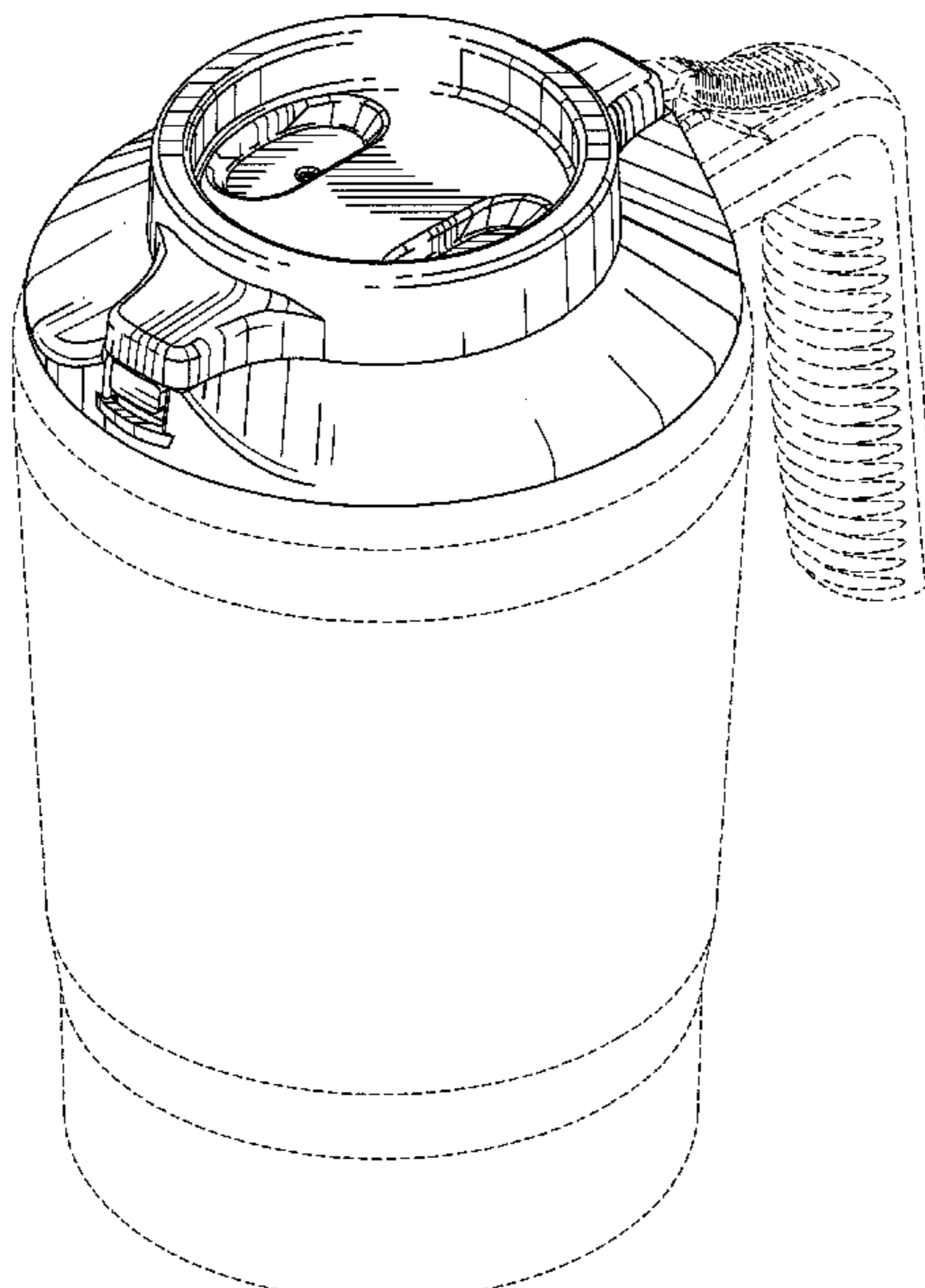
(57) **CLAIM**

We claim the ornamental design for a mug lid, as shown and described.

DESCRIPTION

FIG. 1 is a perspective view of the mug lid;
FIG. 2 is a right side elevation thereof;
FIG. 3 is a front elevation view thereof;
FIG. 4 is a left side elevation view thereof;
FIG. 5 is a back elevation view thereof;
FIG. 6 is a top view thereof; and,
FIG. 7 is a bottom view thereof.
The broken lines illustrate environmental structure and form no part of the claimed design.

1 Claim, 7 Drawing Sheets



(56)

References Cited

U.S. Appl. No. 13/841,093, filed Mar. 15, 2013, Kent M. Arnold.

U.S. Appl. No. 29/450,011, filed Mar. 15, 2013, Kent M. Arnold.

OTHER PUBLICATIONS

U.S. Appl. No. 29/412,996, filed Feb. 9, 2012, Kent M. Arnold et al.

* cited by examiner

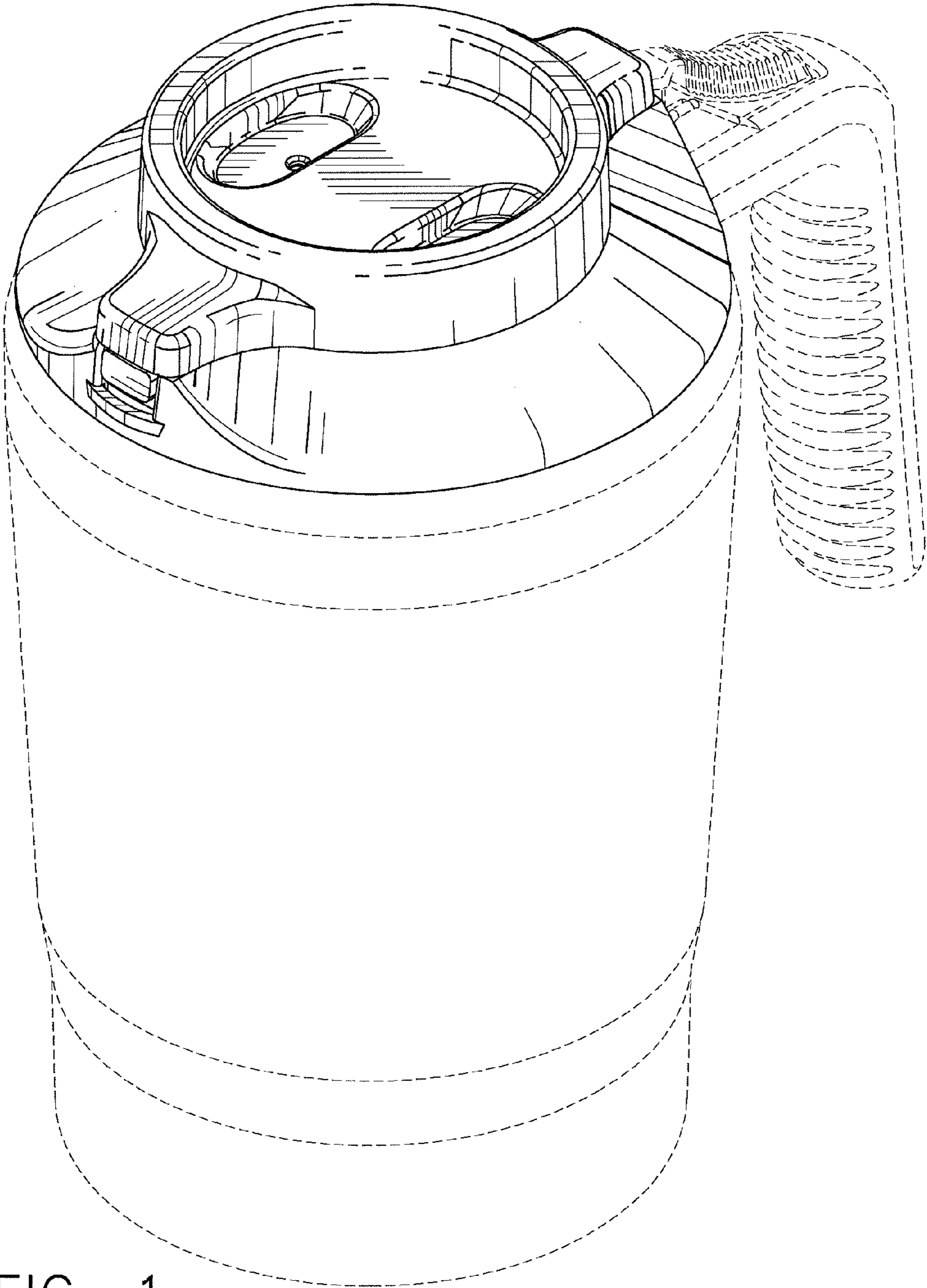


FIG. 1

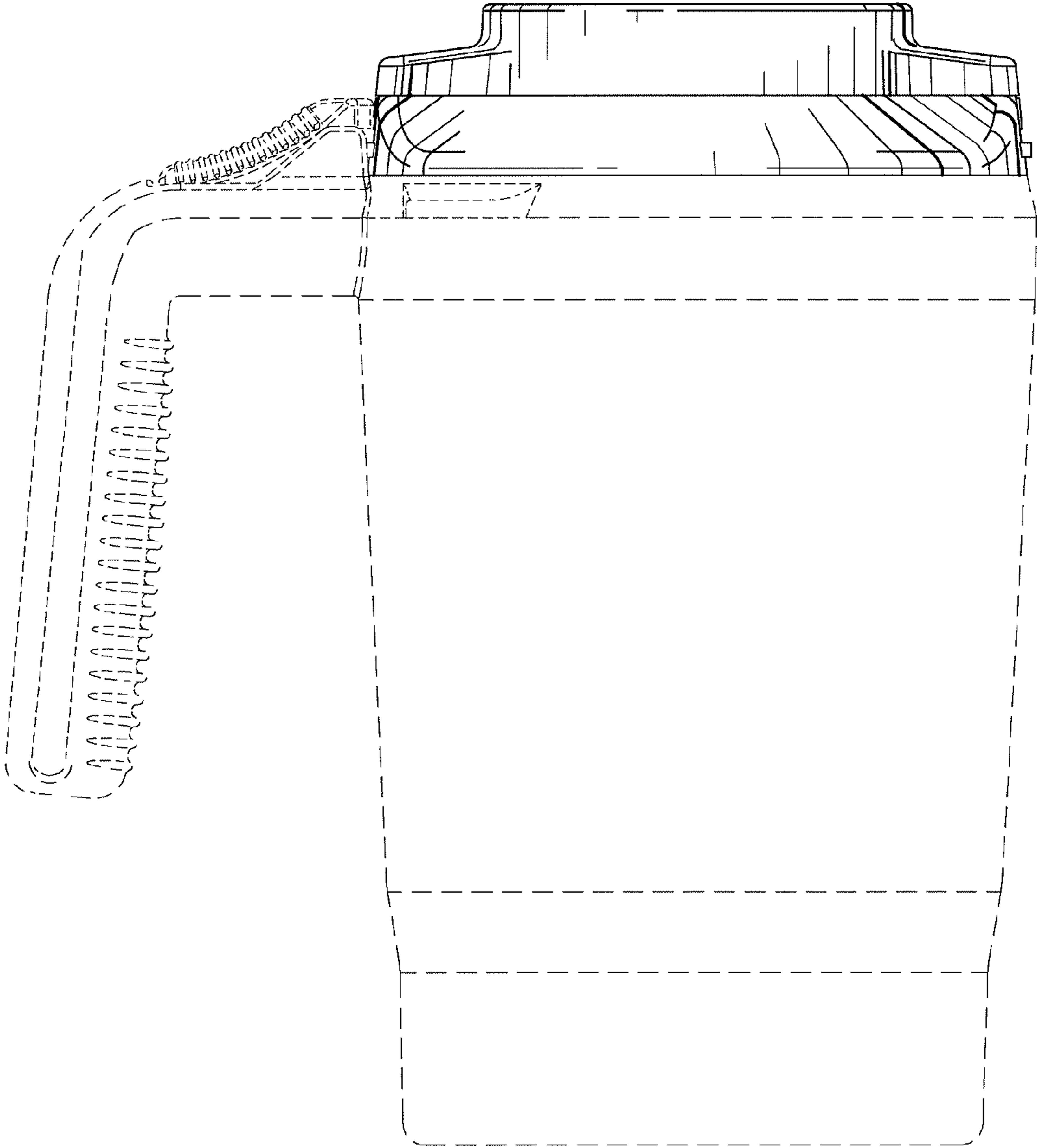


FIG. 2

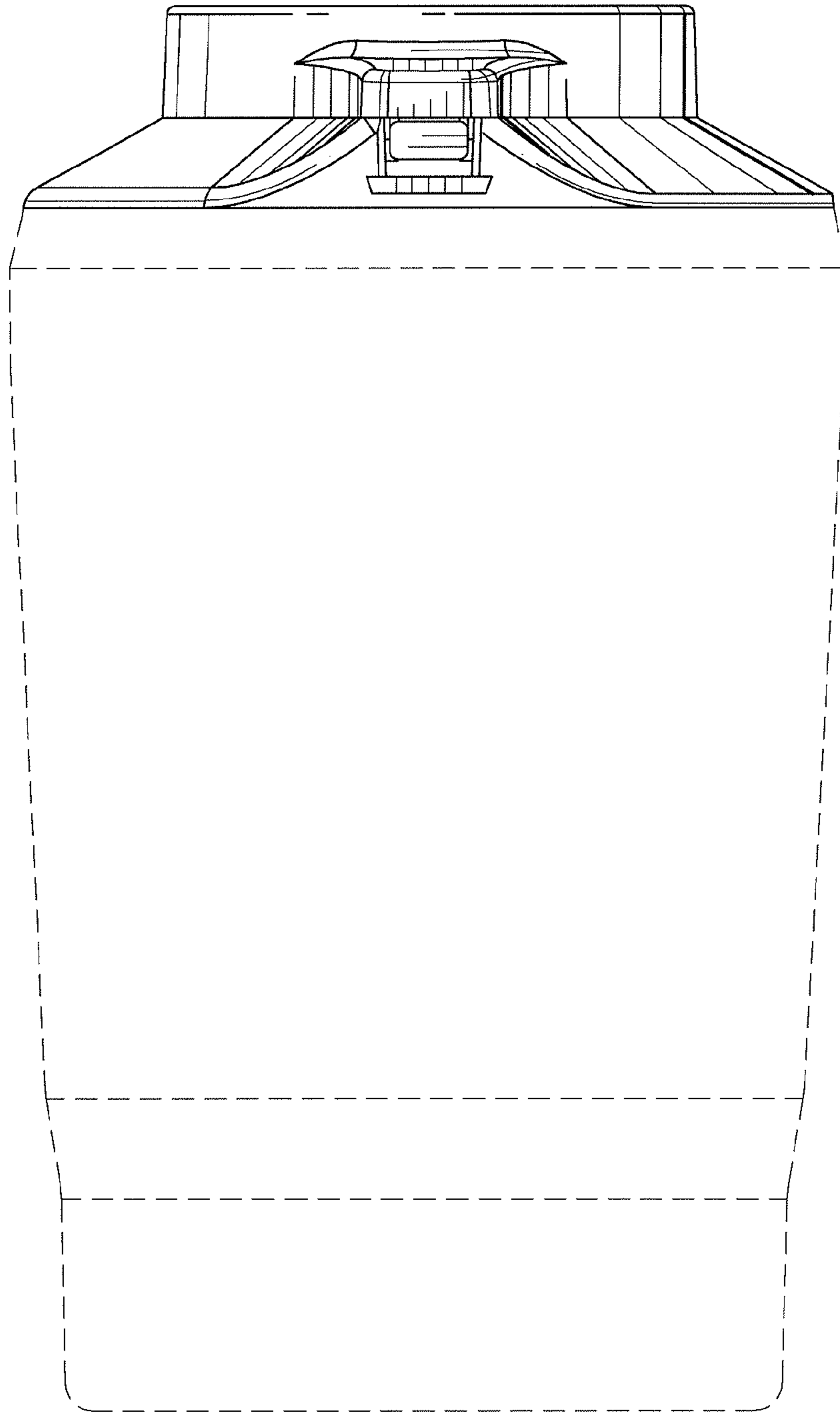


FIG. 3

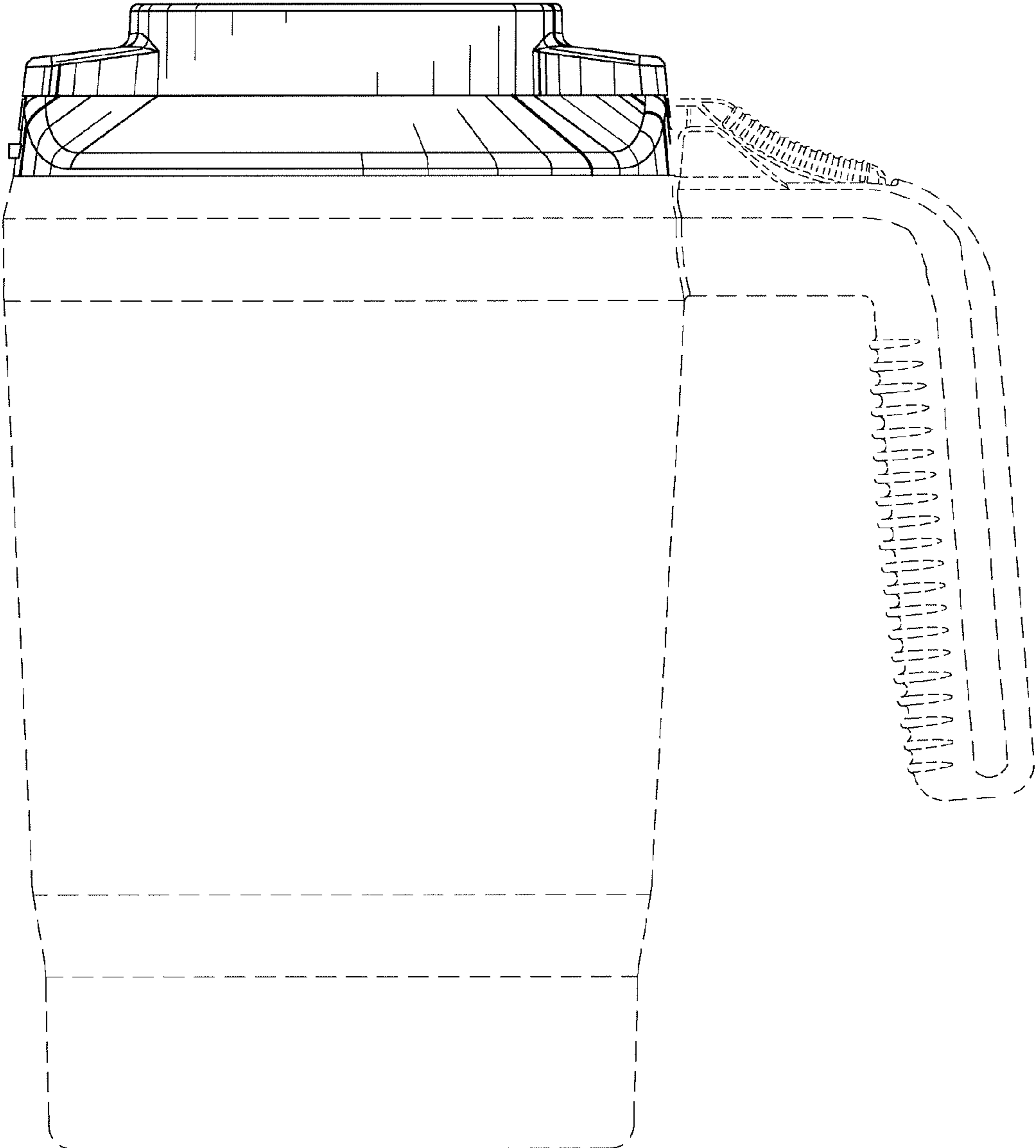


FIG. 4

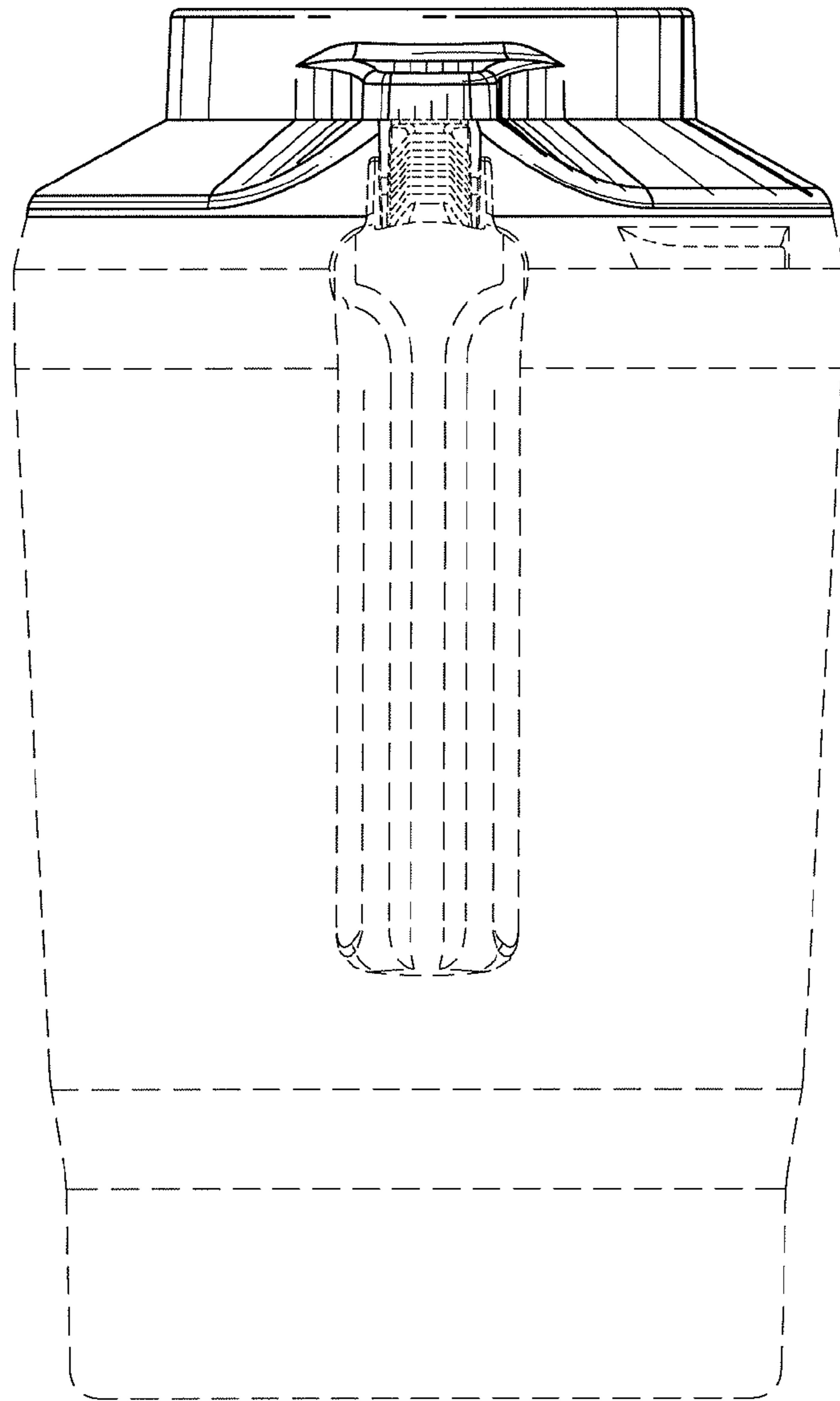


FIG. 5

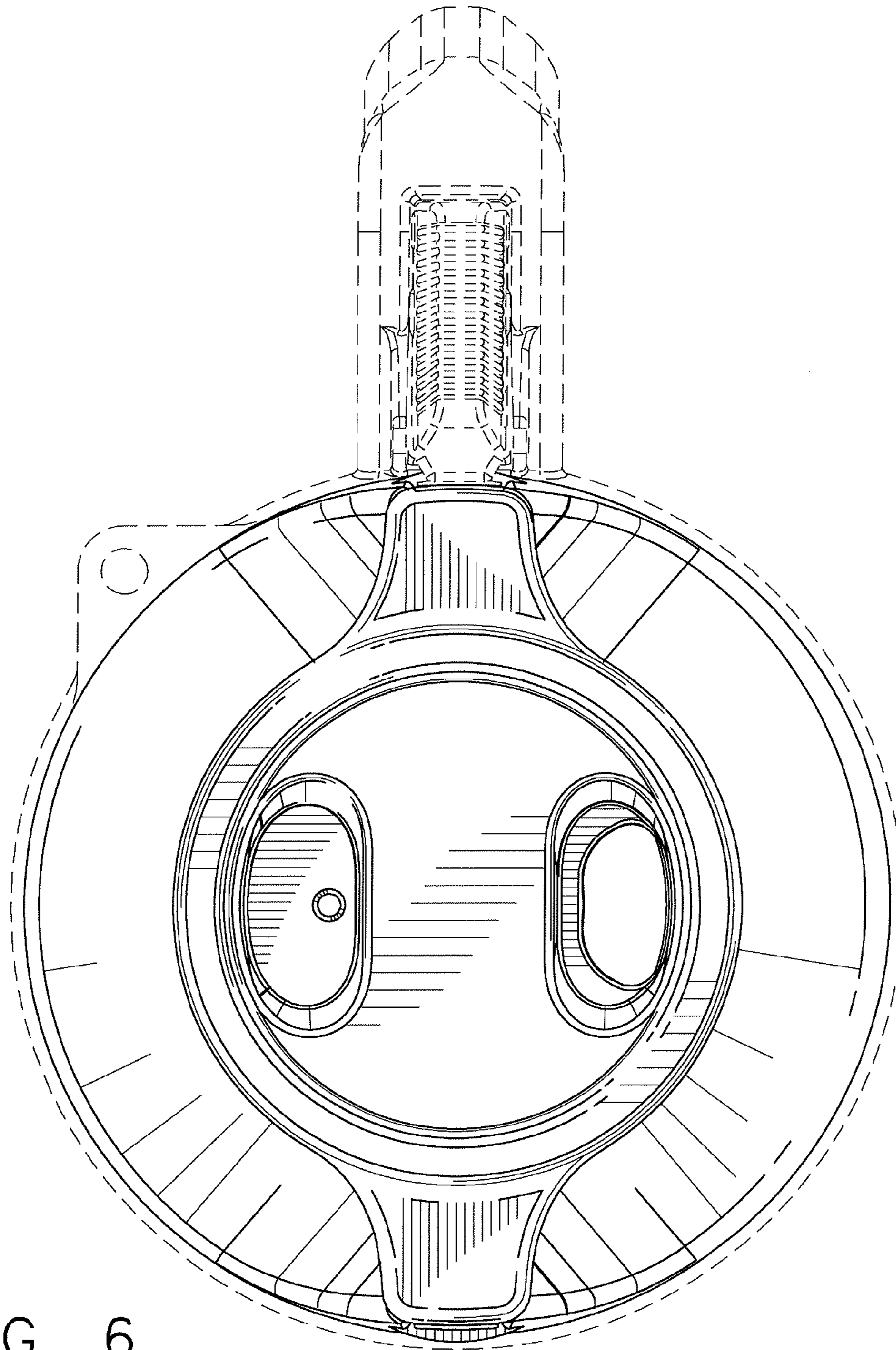


FIG. 6

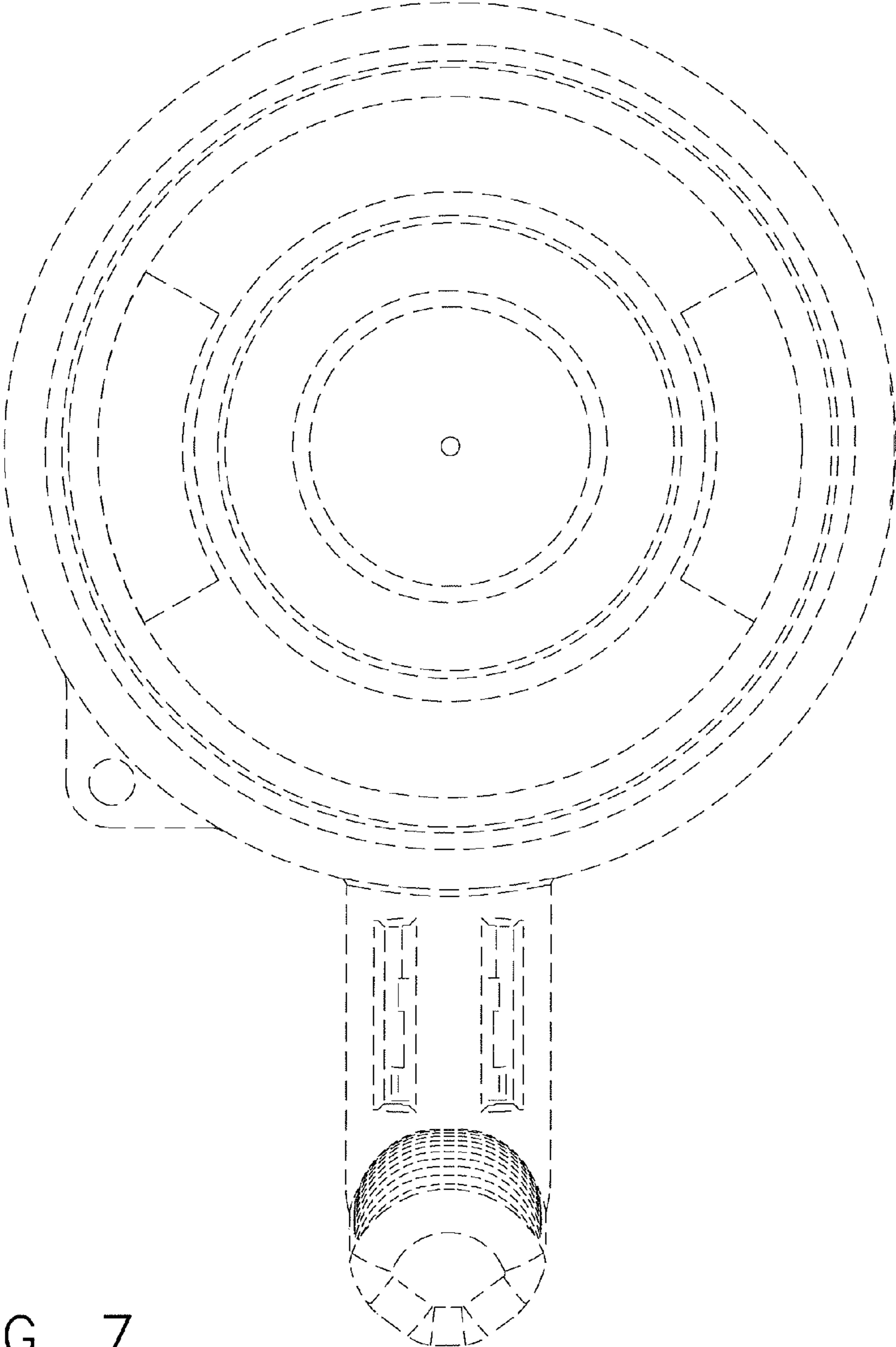


FIG. 7