



US00D688090S

(12) **United States Design Patent**
Lee

(10) **Patent No.:** **US D688,090 S**
(45) **Date of Patent:** **** Aug. 20, 2013**

(54) **INFRARED HEATING COOKER**

(71) Applicant: **Jin Hee Lee**, Goyang-si (KR)

(72) Inventor: **Jin Hee Lee**, Goyang-si (KR)

(**) Term: **14 Years**

(21) Appl. No.: **29/439,222**

(22) Filed: **Dec. 7, 2012**

(30) **Foreign Application Priority Data**

Dec. 7, 2012 (KR) 30-2012-0058924

(51) **LOC (9) Cl.** **07-02**

(52) **U.S. Cl.**
USPC **D7/362**

(58) **Field of Classification Search**

USPC D7/323, 329-332, 337-339, 346-347,
D7/350.1-350.4, 352-367, 391-395, 402-406,
D7/538-543, 590-591, 598, 665, 679;
99/324-325, 330-332, 337-343, 366-369,
99/378, 400-418, 422, 425, 444, 483; 126/37
R, 41 R, 261, 369, 378.1; 206/501-505,
206/507-508; 211/78; 219/387, 400, 405,
219/429-442, 452.11, 620-624, 725, 730-735;
220/314-315, 573.1-573.5, 592.16, 912;
426/438, 441, 466

See application file for complete search history.

(56) **References Cited**

U.S. PATENT DOCUMENTS

| | | | | | |
|-----------|------|---------|-------------------|-------|----------|
| D200,137 | S * | 1/1965 | Hanna | | D7/350.1 |
| 4,487,116 | A * | 12/1984 | Routhier | | 99/339 |
| D379,051 | S * | 5/1997 | Jacquemin | | D7/352 |
| 5,894,944 | A * | 4/1999 | Swift | | 211/78 |
| D439,792 | S * | 4/2001 | Hedrington et al. | | D7/323 |
| D442,822 | S * | 5/2001 | Lin | | D7/362 |
| 6,354,194 | B1 * | 3/2002 | Hedrington et al. | | 99/341 |
| 6,363,842 | B1 * | 4/2002 | Lin | | 99/425 |
| D458,078 | S * | 6/2002 | Lin | | D7/362 |
| 6,967,036 | B1 * | 11/2005 | Hedrington et al. | | 426/466 |
| D653,904 | S * | 2/2012 | Lee | | D7/362 |
| D661,542 | S * | 6/2012 | Lee | | D7/362 |
| 8,286,548 | B2 * | 10/2012 | Krishnan et al. | | 99/378 |

* cited by examiner

Primary Examiner — Ricky Pham

(74) *Attorney, Agent, or Firm* — Kile Park Reed & Houtteman PLLC

(57) **CLAIM**

I claim, the ornamental design for an infrared heating cooker, as shown and described.

DESCRIPTION

FIG. 1 is a top and front perspective view of an infrared heating cooker, showing my new design;
FIG. 2 is a front view thereof;
FIG. 3 is a rear view thereof;
FIG. 4 is a left side view thereof;
FIG. 5 is a right side view thereof;
FIG. 6 is a top plan view thereof; and,
FIG. 7 is a bottom plan view thereof.

1 Claim, 7 Drawing Sheets

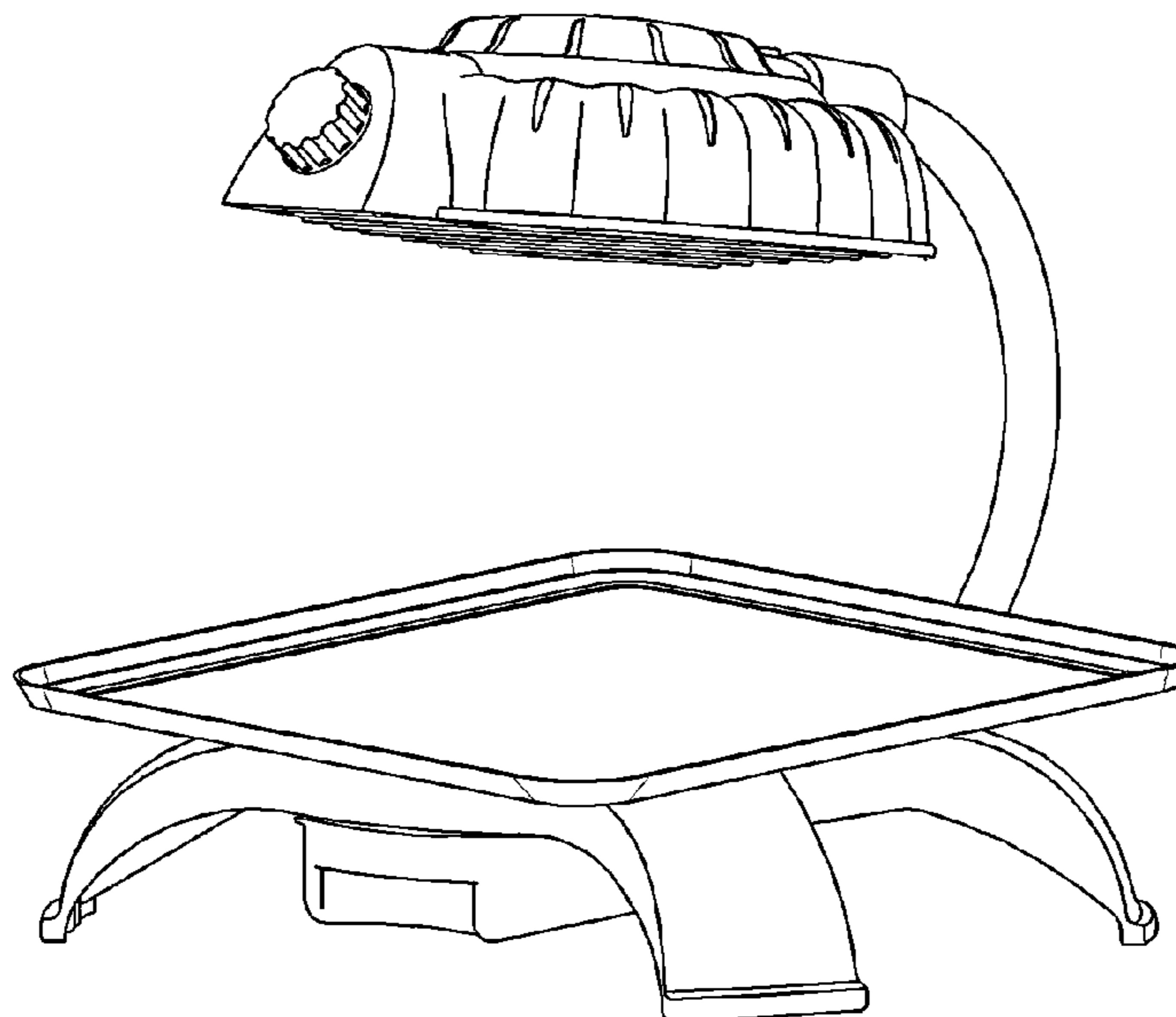


FIG. 1

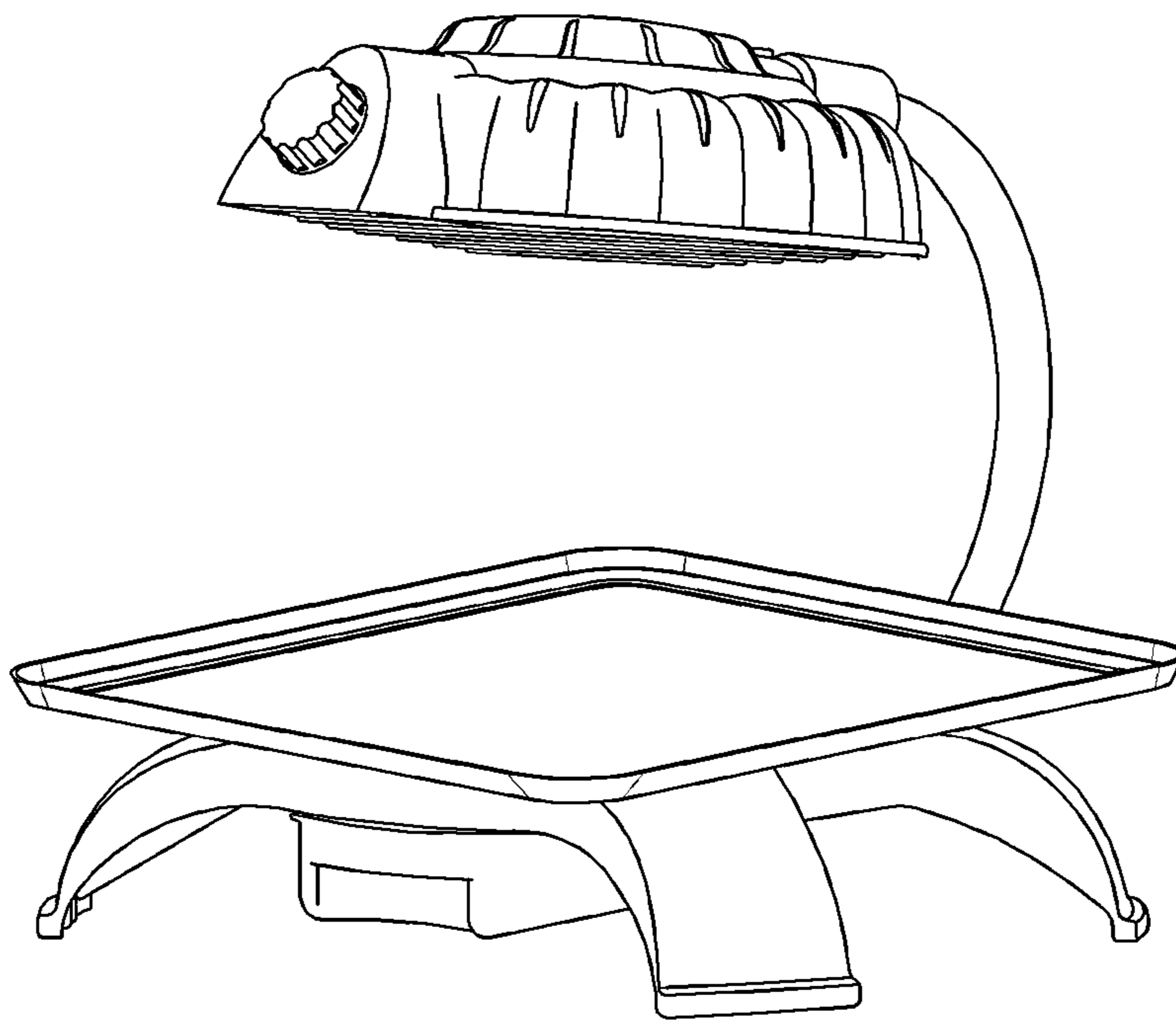


FIG. 2

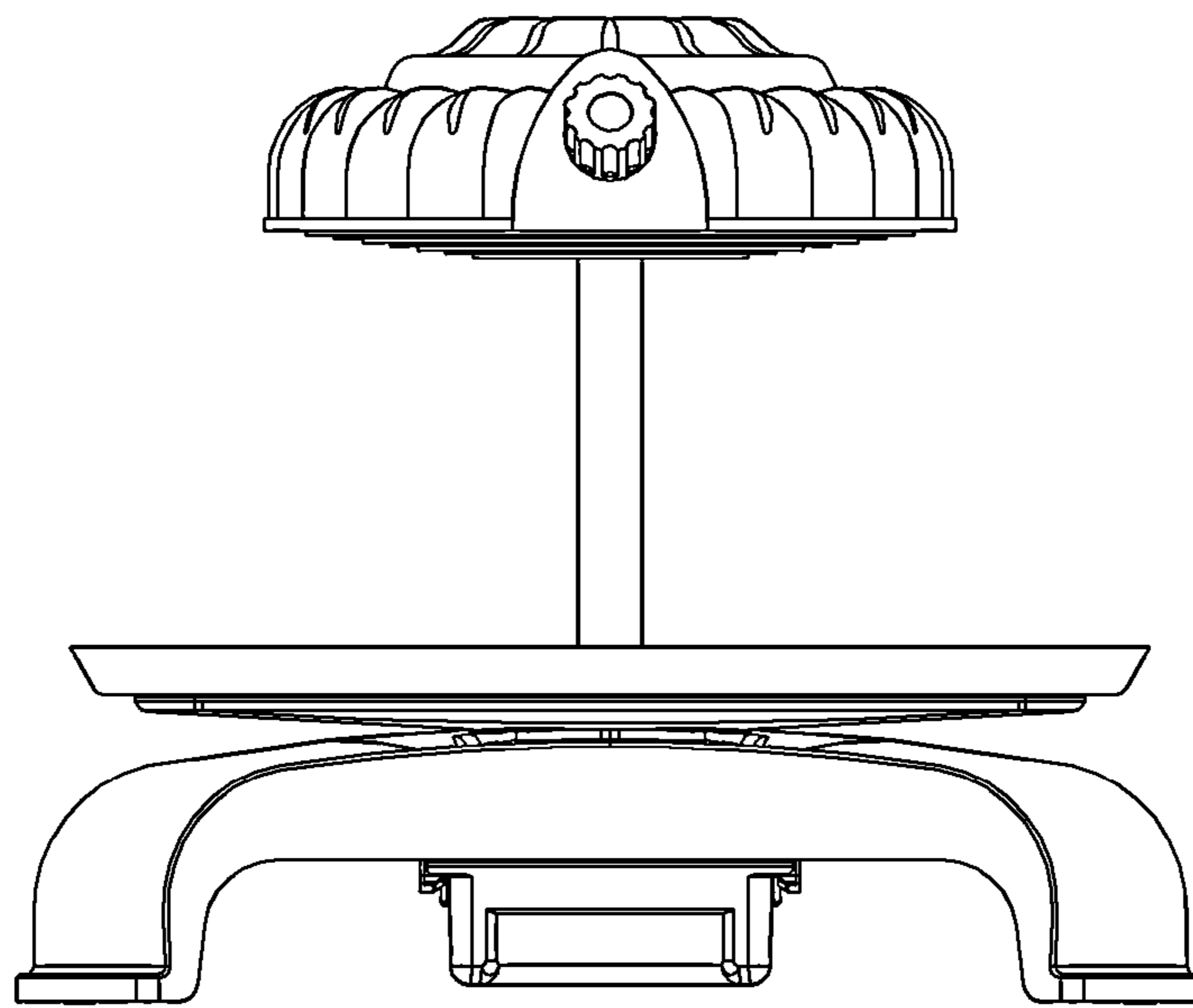


FIG. 3

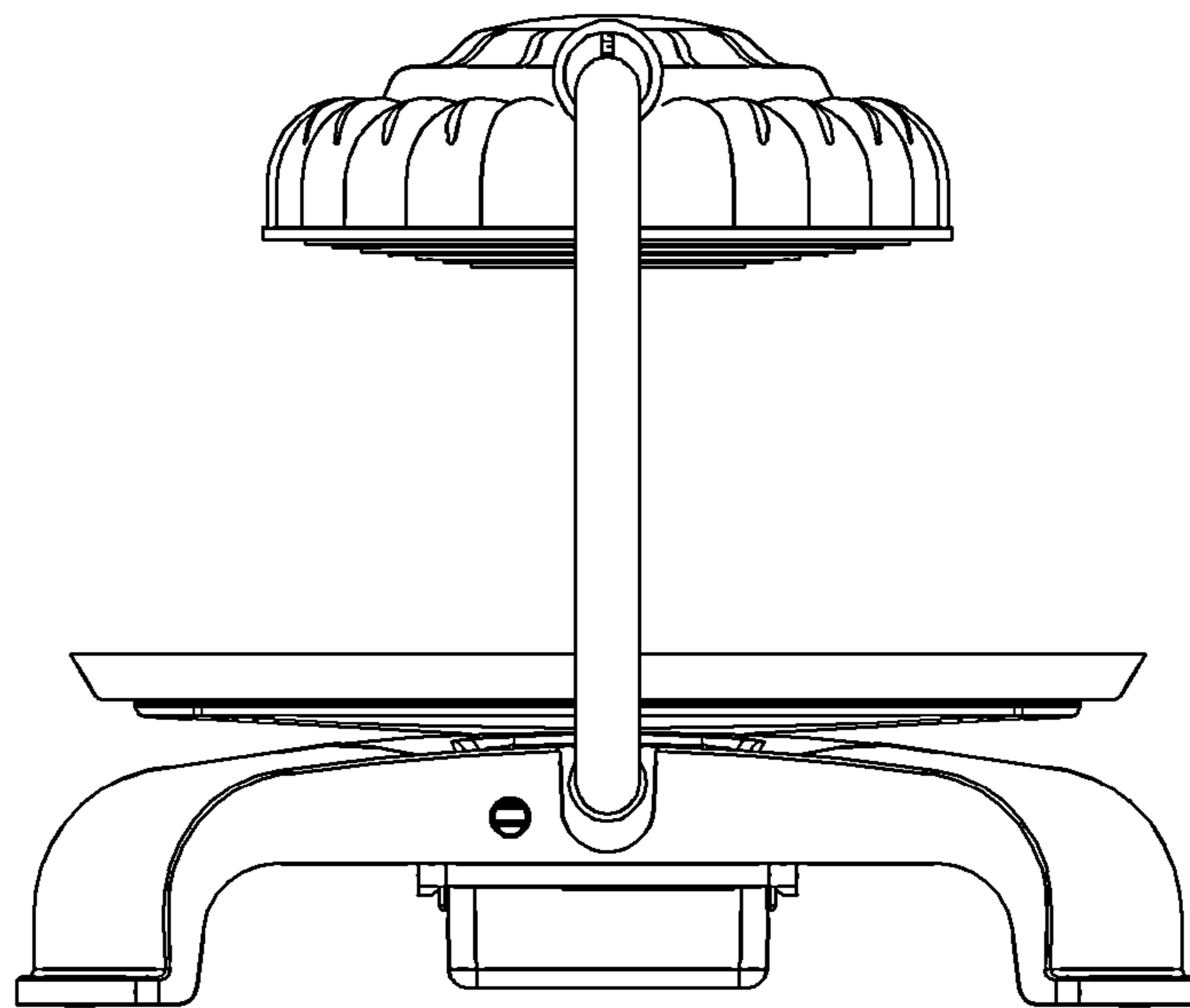


FIG. 4

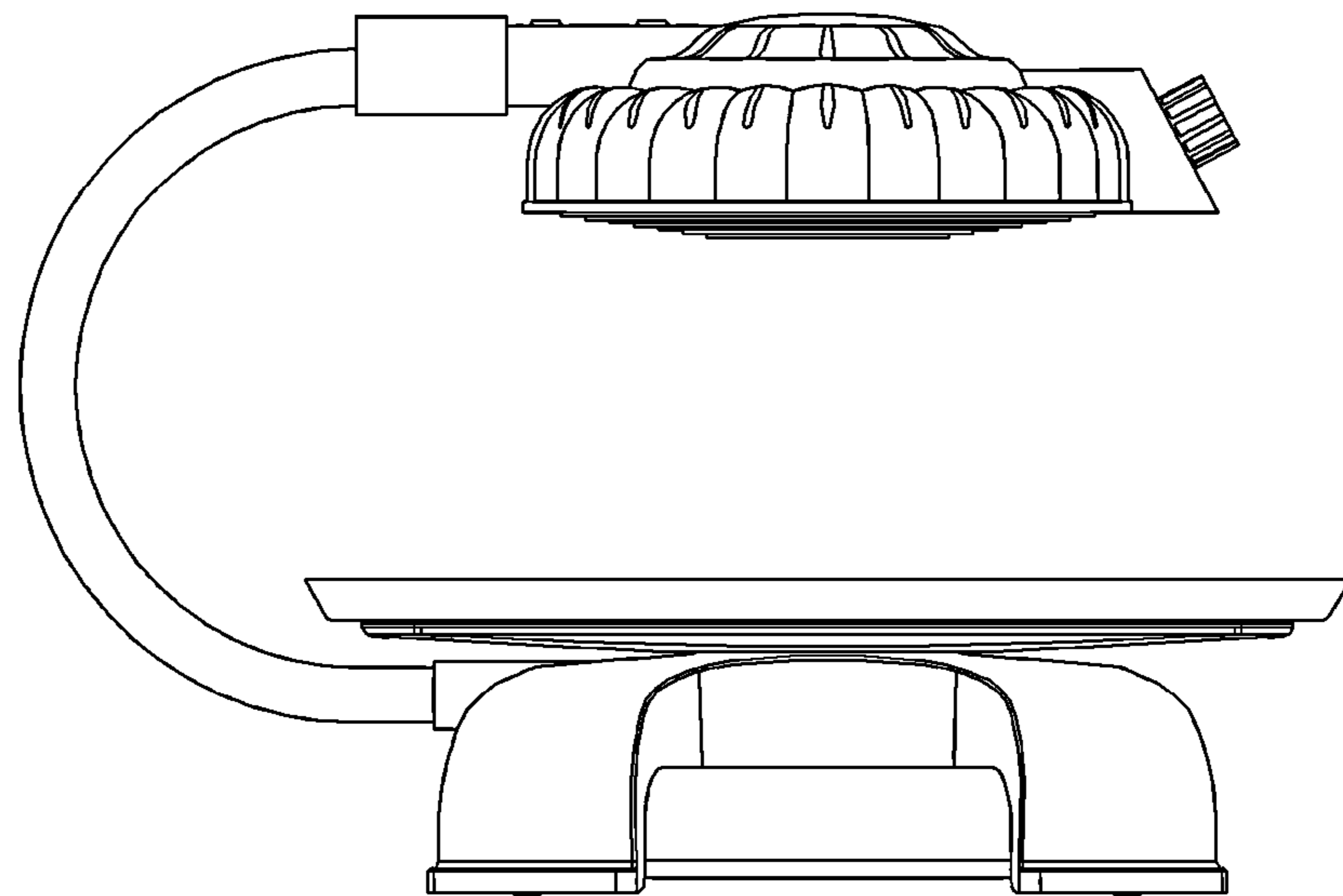


FIG. 5

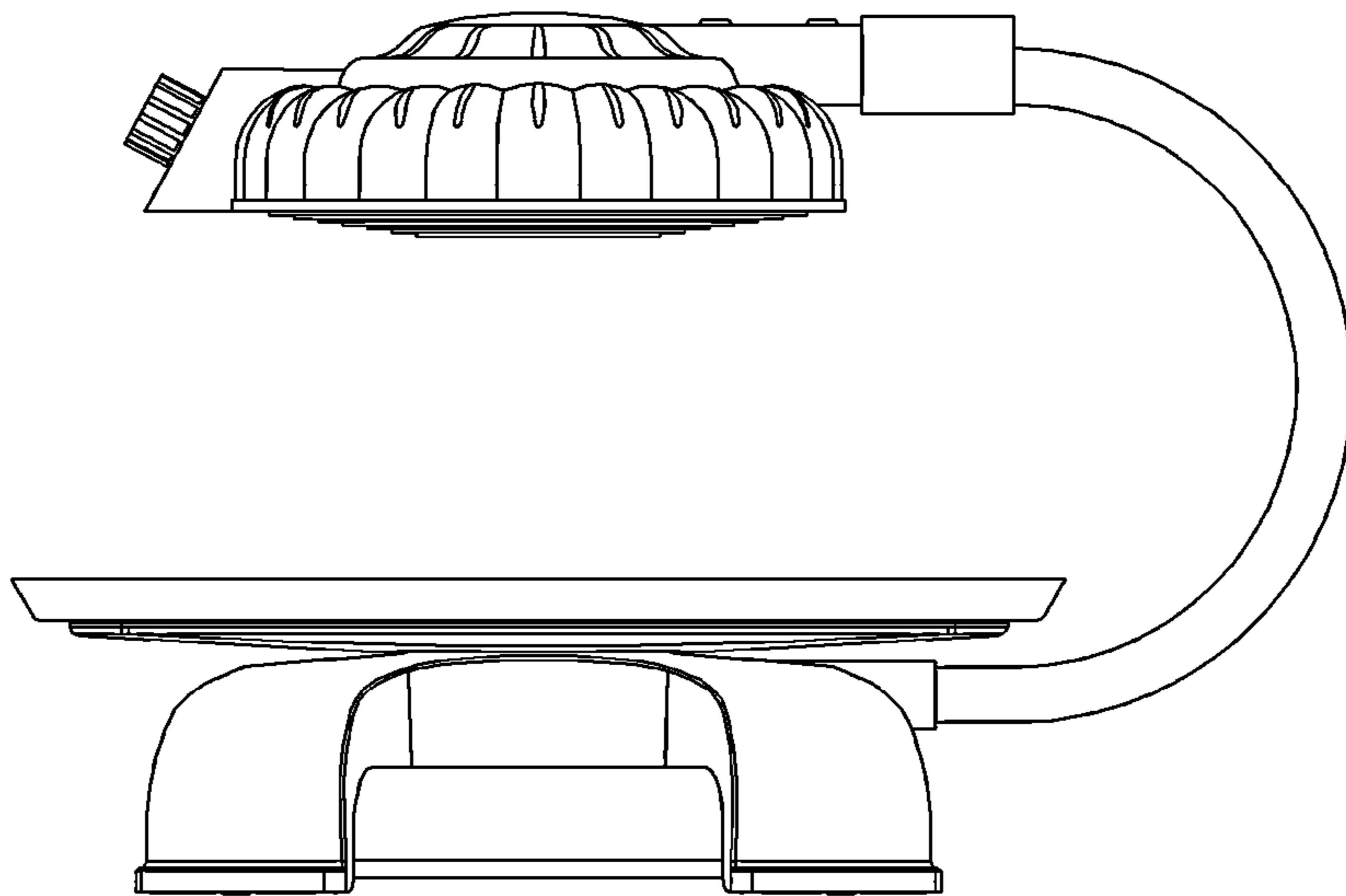


FIG. 6

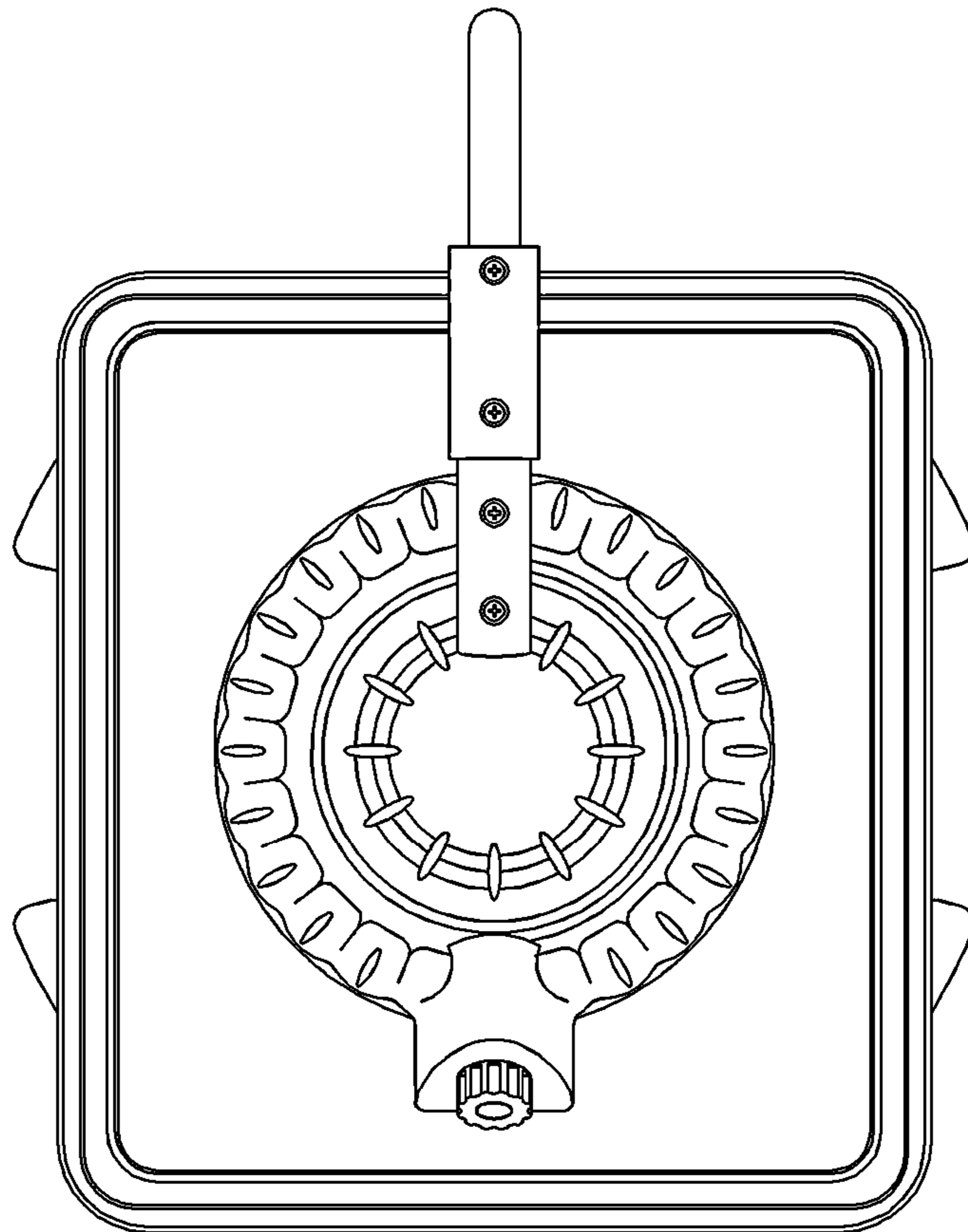


FIG. 7

