

US00D688089S

(12) **United States Design Patent**
Lee

(10) **Patent No.:** **US D688,089 S**

(45) **Date of Patent:** **** Aug. 20, 2013**

(54) **INFRARED HEATING COOKER**

(56) **References Cited**

(71) Applicant: **Jin Hee Lee**, Goyang-si (KR)

(72) Inventor: **Jin Hee Lee**, Goyang-si (KR)

(**) Term: **14 Years**

(21) Appl. No.: **29/439,220**

(22) Filed: **Dec. 7, 2012**

(30) **Foreign Application Priority Data**

Jun. 8, 2012 (KR) 30-2012-0028212

(51) **LOC (9) Cl.** **07-02**

(52) **U.S. Cl.**
USPC **D7/362**

(58) **Field of Classification Search**

USPC D7/323, 329–332, 337–339, 346–347,
D7/350.1–350.4, 352–367, 391–395, 402–406,
D7/538–543, 590–591, 598, 665, 679;
99/324–325, 330–332, 337–343, 366–369,
99/378, 400–418, 422, 425, 444, 483;
126/37 R, 41 R, 261, 369, 378.1;
206/501–505, 507–508; 211/78; 219/387,
219/400, 405, 429–442, 452.11, 620–624,
219/725, 730–735; 220/314–315, 573.1–573.5,
220/592.16, 912; 426/438, 441, 466

See application file for complete search history.

U.S. PATENT DOCUMENTS

D200,137	S	*	1/1965	Hanna	D7/350.1
4,487,116	A	*	12/1984	Routhier	99/339
D379,051	S	*	5/1997	Jacquemin	D7/352
5,894,944	A	*	4/1999	Swift	211/78
D439,792	S	*	4/2001	Hedrington et al.	D7/323
D442,822	S	*	5/2001	Lin	D7/362
6,354,194	B1	*	3/2002	Hedrington et al.	99/341
6,363,842	B1	*	4/2002	Lin	99/425
D458,078	S	*	6/2002	Lin	D7/362
6,967,036	B1	*	11/2005	Hedrington et al.	426/466
D653,904	S	*	2/2012	Lee	D7/362
D661,542	S	*	6/2012	Lee	D7/362
8,286,548	B2	*	10/2012	Krishnan et al.	99/378

* cited by examiner

Primary Examiner — Ricky Pham

(74) *Attorney, Agent, or Firm* — Kile Park Reed & Houtteman PLLC

(57) **CLAIM**

I claim, the ornamental design for an infrared heating cooker, as shown and described.

DESCRIPTION

FIG. 1 is a top and front perspective view of an infrared heating cooker, showing my new design;
FIG. 2 is a front view thereof;
FIG. 3 is a rear view thereof;
FIG. 4 is a left side view thereof;
FIG. 5 is a right side view thereof;
FIG. 6 is a top plan view thereof; and,
FIG. 7 is a bottom plan view thereof.

1 Claim, 7 Drawing Sheets

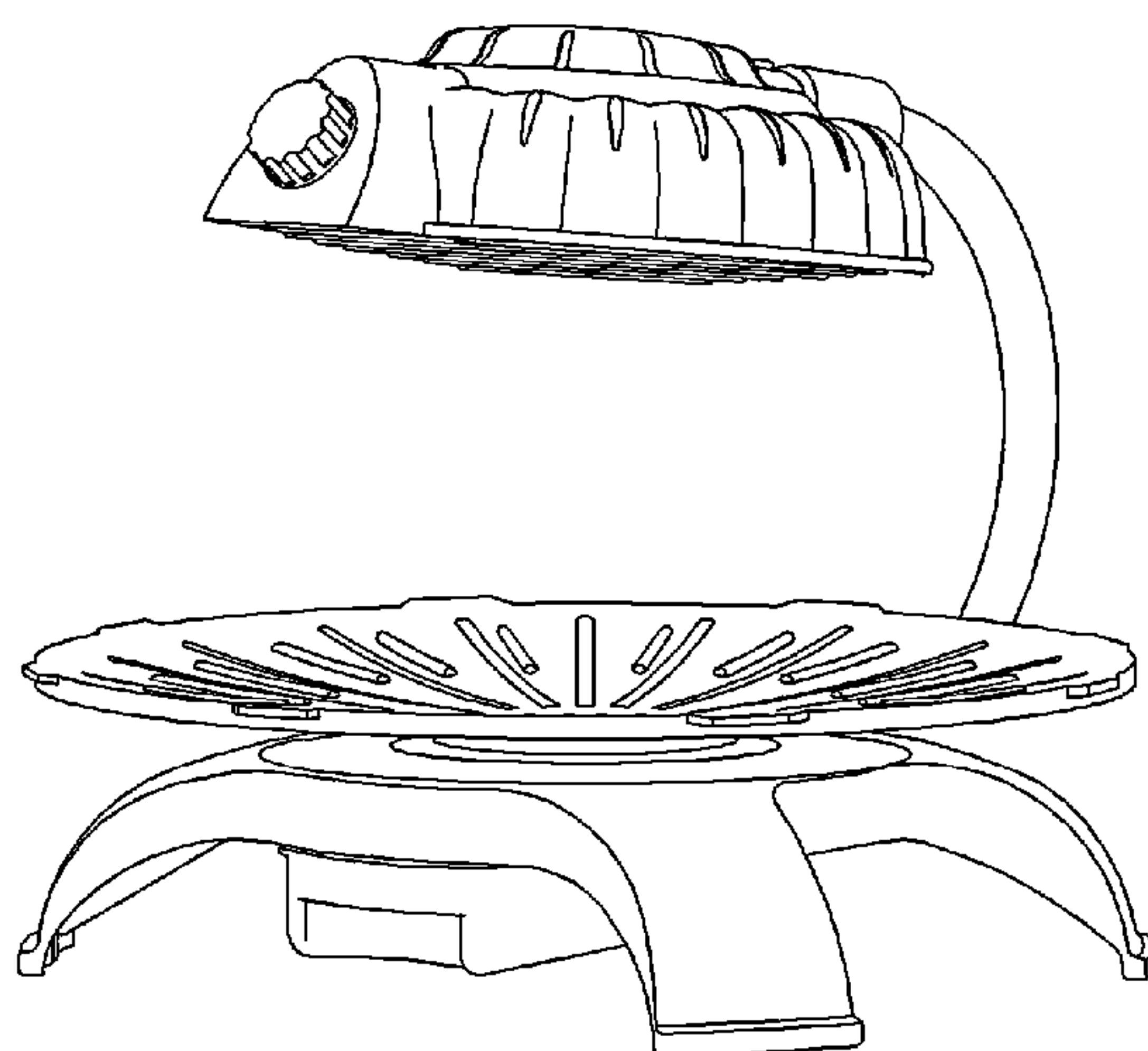


FIG. 1

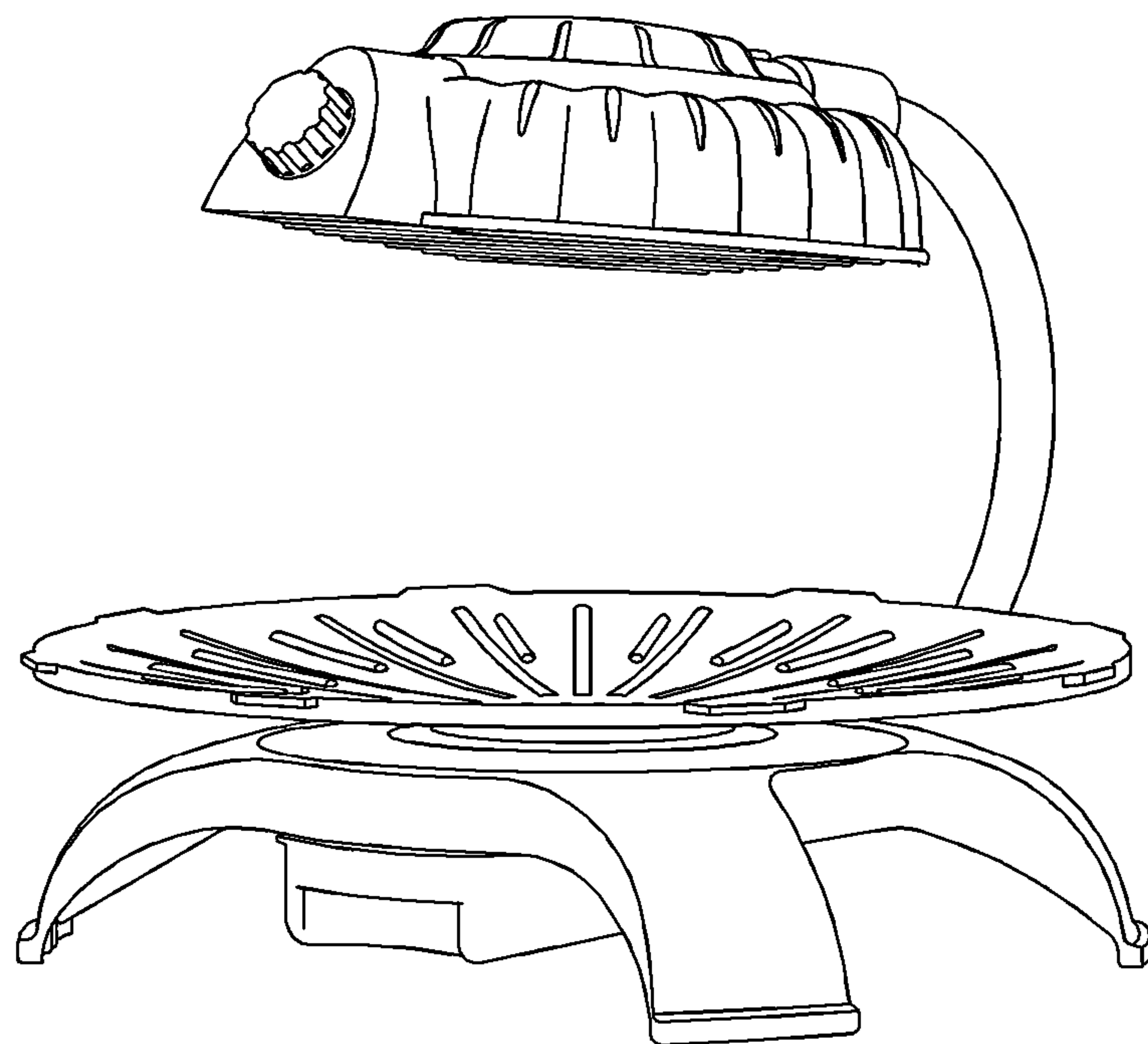


FIG. 2

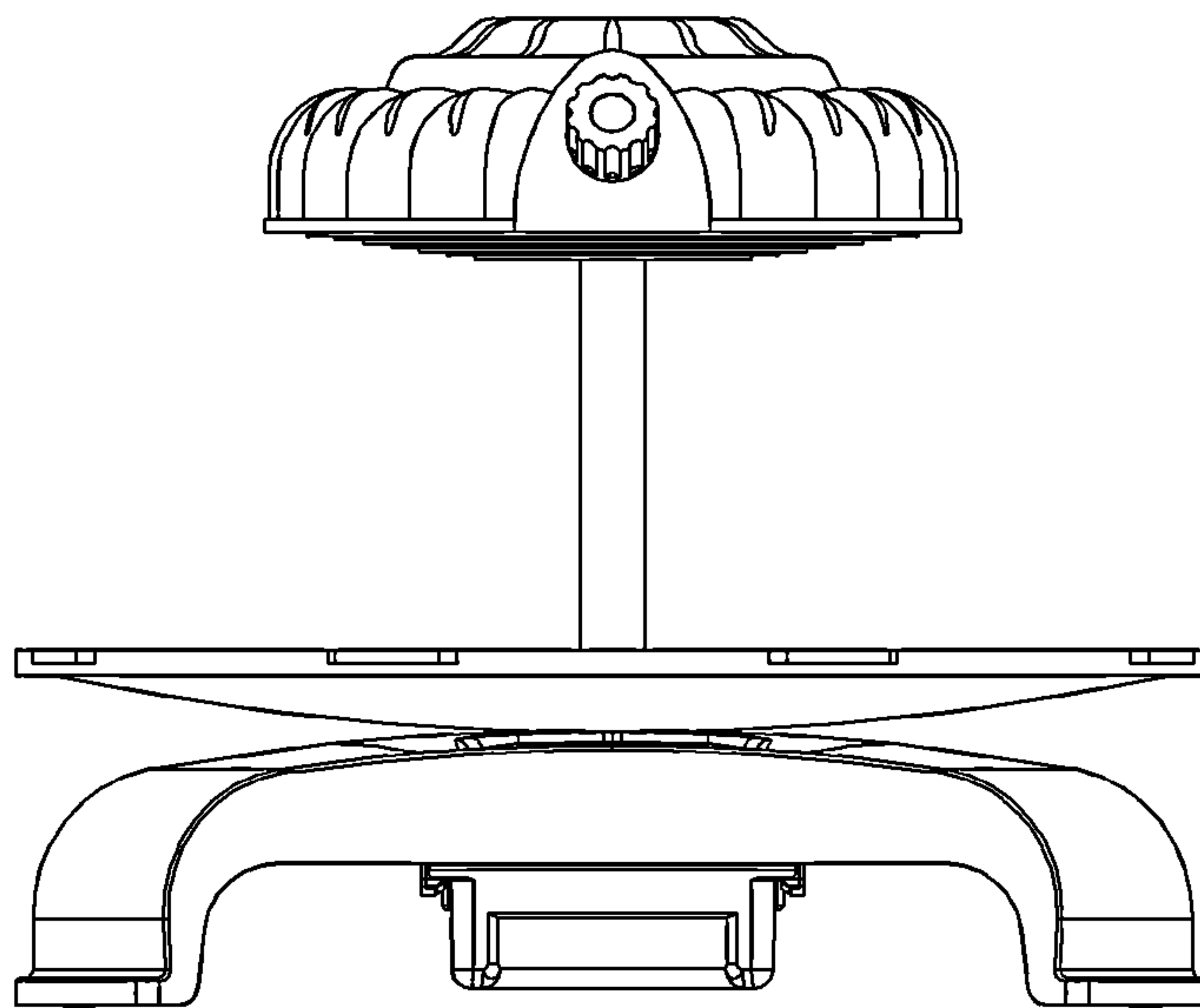


FIG. 3

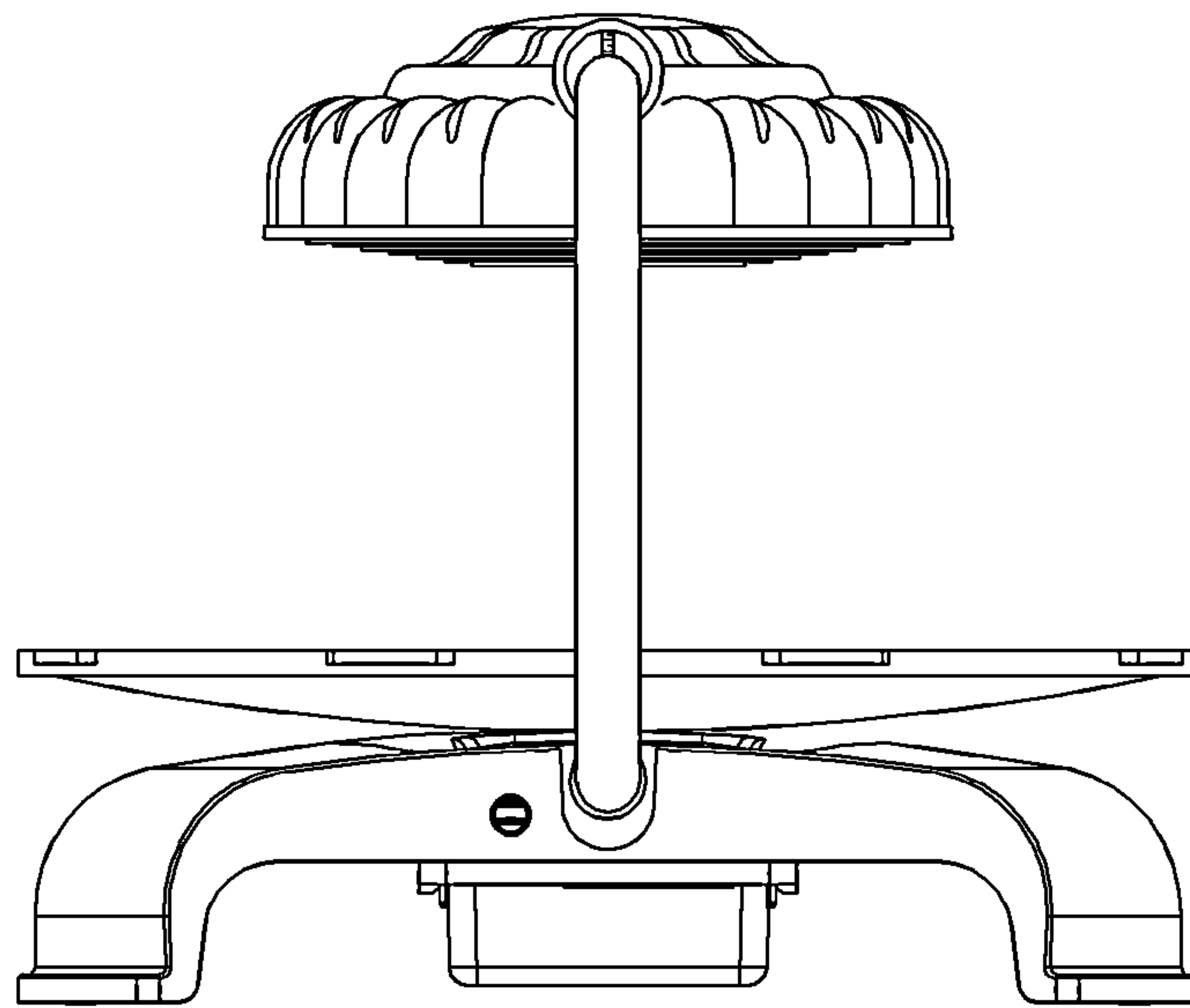


FIG. 4

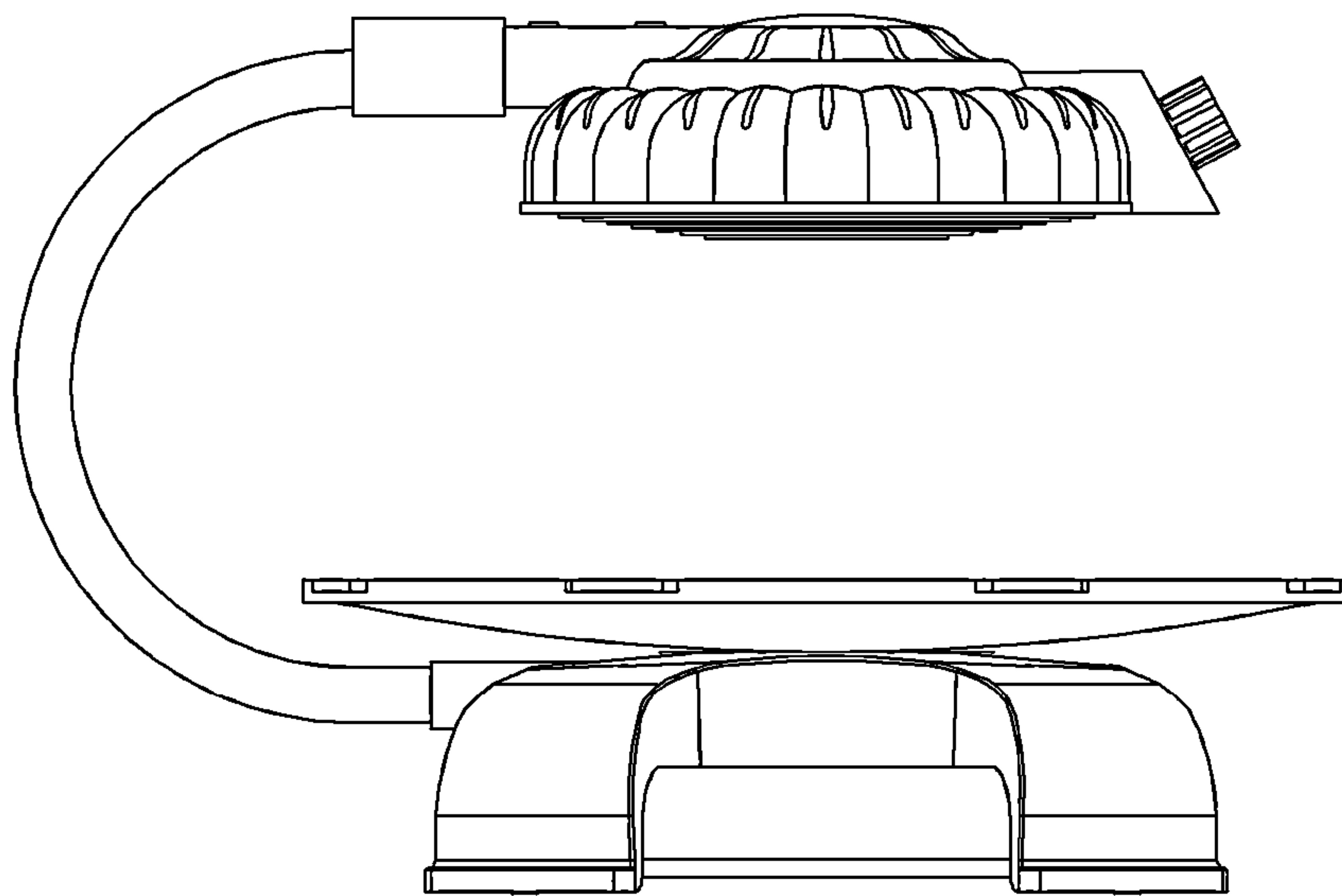


FIG. 5

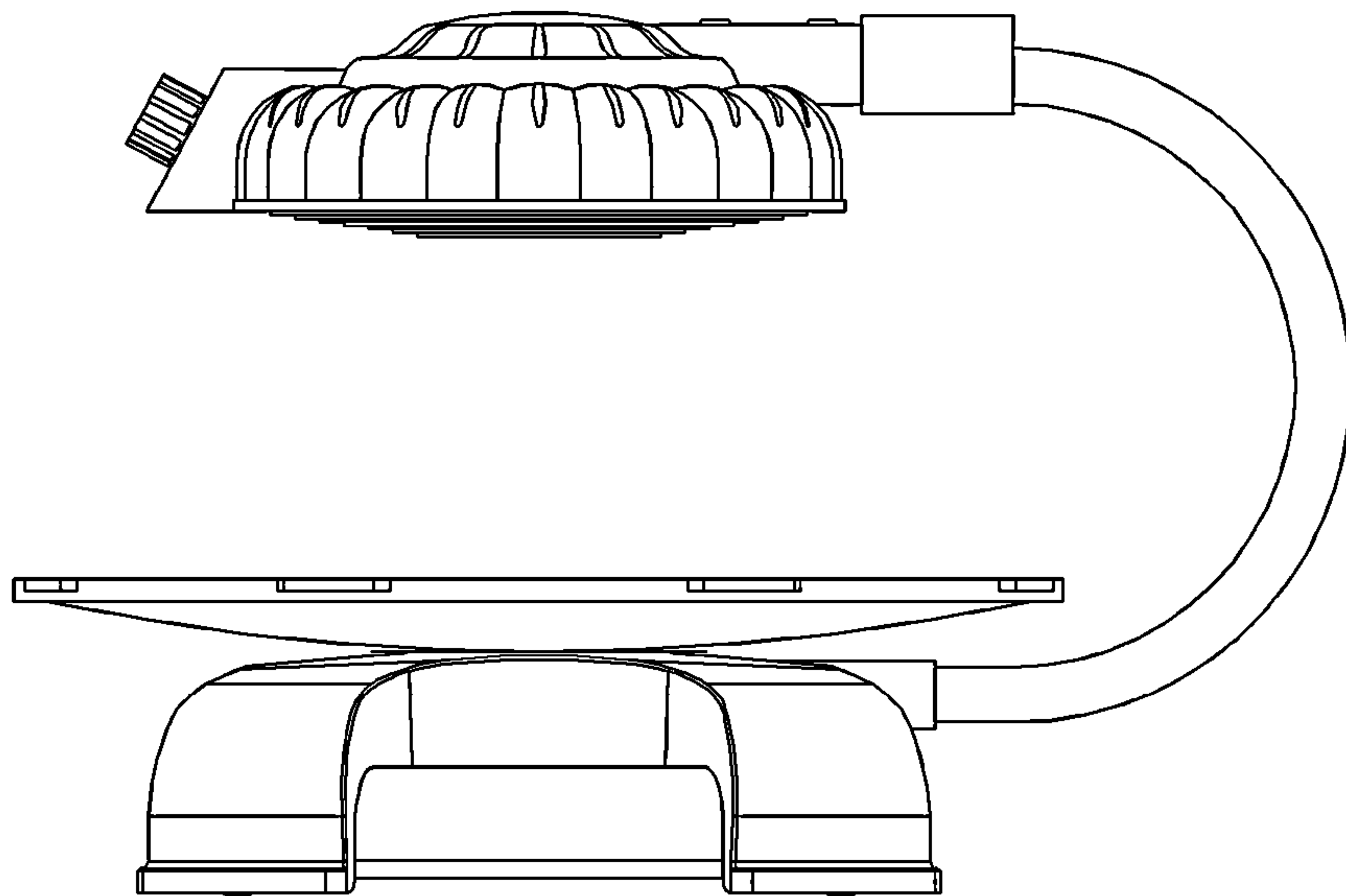


FIG. 6

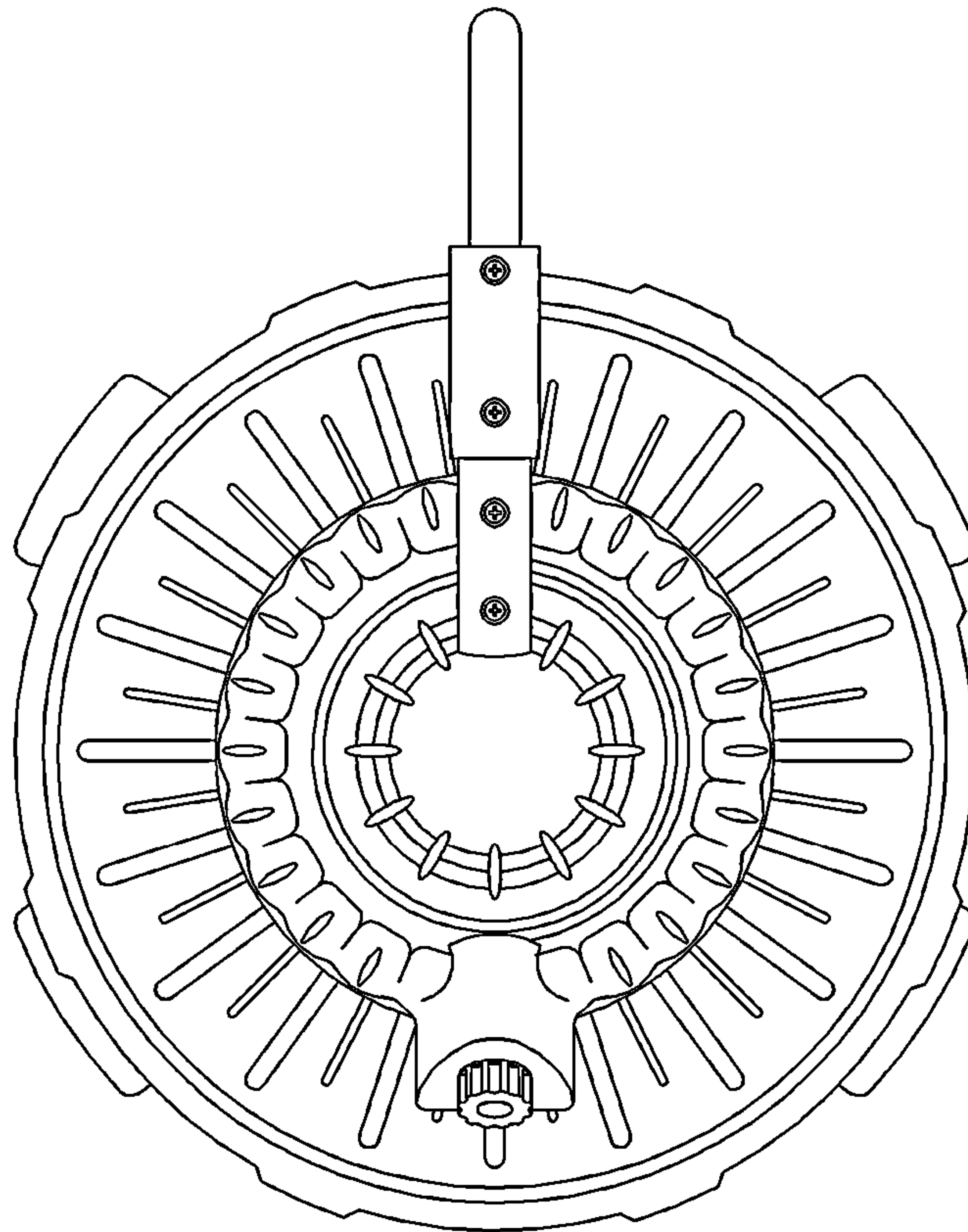


FIG. 7

