



US00D688087S

(12) **United States Design Patent**  
**Lee**

(10) **Patent No.:** **US D688,087 S**

(45) **Date of Patent:** **\*\* Aug. 20, 2013**

(54) **INFRARED HEATING COOKER**

(56) **References Cited**

(71) Applicant: **Jin Hee Lee**, Goyang-si (KR)

U.S. PATENT DOCUMENTS

(72) Inventor: **Jin Hee Lee**, Goyang-si (KR)

D200,137	S	*	1/1965	Hanna	.....	D7/350.1
4,487,116	A	*	12/1984	Routhier	.....	99/339
D379,051	S	*	5/1997	Jacquemin	.....	D7/352
5,894,944	A	*	4/1999	Swift	.....	211/78
D439,792	S	*	4/2001	Hedrington et al.	.....	D7/323
D442,822	S	*	5/2001	Lin	.....	D7/362
6,354,194	B1	*	3/2002	Hedrington et al.	.....	99/341
6,363,842	B1	*	4/2002	Lin	.....	99/425
D458,078	S	*	6/2002	Lin	.....	D7/362
6,967,036	B1	*	11/2005	Hedrington et al.	.....	426/466
D653,904	S	*	2/2012	Lee	.....	D7/362
D661,542	S	*	6/2012	Lee	.....	D7/362
8,286,548	B2	*	10/2012	Krishnan et al.	.....	99/378

(\*\*) Term: **14 Years**

(21) Appl. No.: **29/439,211**

(22) Filed: **Dec. 7, 2012**

(30) **Foreign Application Priority Data**

Jun. 8, 2012 (KR) ..... 30-2012-0028209

(51) **LOC (9) Cl.** ..... **07-02**

(52) **U.S. Cl.**  
USPC ..... **D7/362**

(58) **Field of Classification Search**  
USPC ..... D7/323, 329-332, 337-339, 346-347,  
D7/350.1-350.4, 352-367, 391-395, 402-406,  
D7/538-543, 590-591, 598, 665, 679;  
99/324-325, 330-332, 337-343, 366-369,  
99/378, 400-418, 422, 425, 444, 483; 126/37  
R, 41 R, 261, 369, 378.1; 206/501-505,  
206/507-508; 211/78; 219/387, 400, 405,  
219/429-442, 452.11, 620-624, 725, 730-735;  
220/314-315, 573.1-573.5, 592.16, 912;  
426/438, 441, 466

See application file for complete search history.

\* cited by examiner

*Primary Examiner* — Ricky Pham

(74) *Attorney, Agent, or Firm* — Kile Park Reed & Houtteman PLLC

(57) **CLAIM**

I claim, the ornamental design for an infrared heating cooker, as shown and described.

**DESCRIPTION**

FIG. 1 is a top and front perspective view of an infrared heating cooker, showing my new design;  
FIG. 2 is a front view thereof;  
FIG. 3 is a rear view thereof;  
FIG. 4 is a left side view thereof;  
FIG. 5 is a right side view thereof;  
FIG. 6 is a top plan view thereof; and,  
FIG. 7 is a bottom plan view thereof.

**1 Claim, 7 Drawing Sheets**

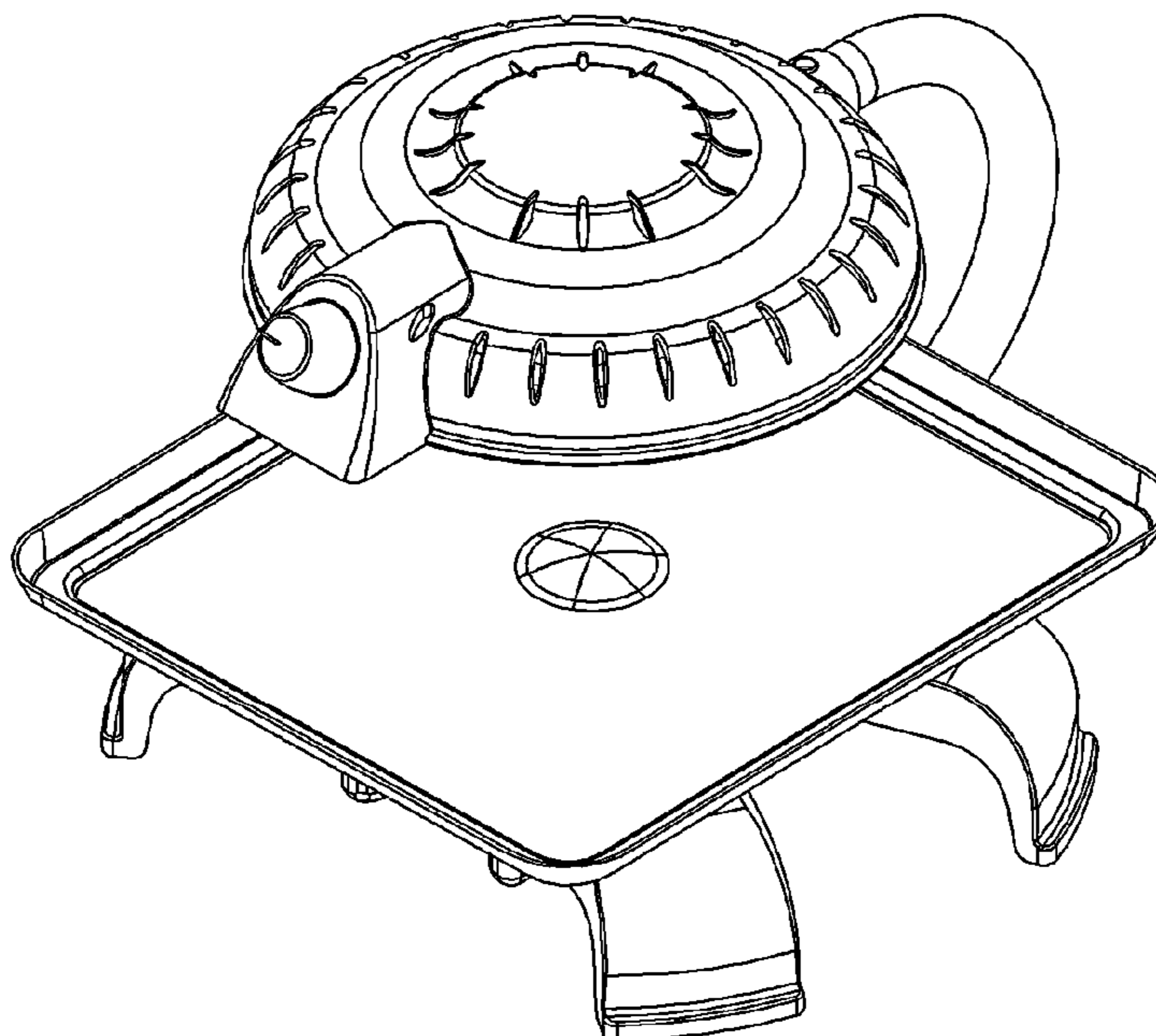


FIG. 1

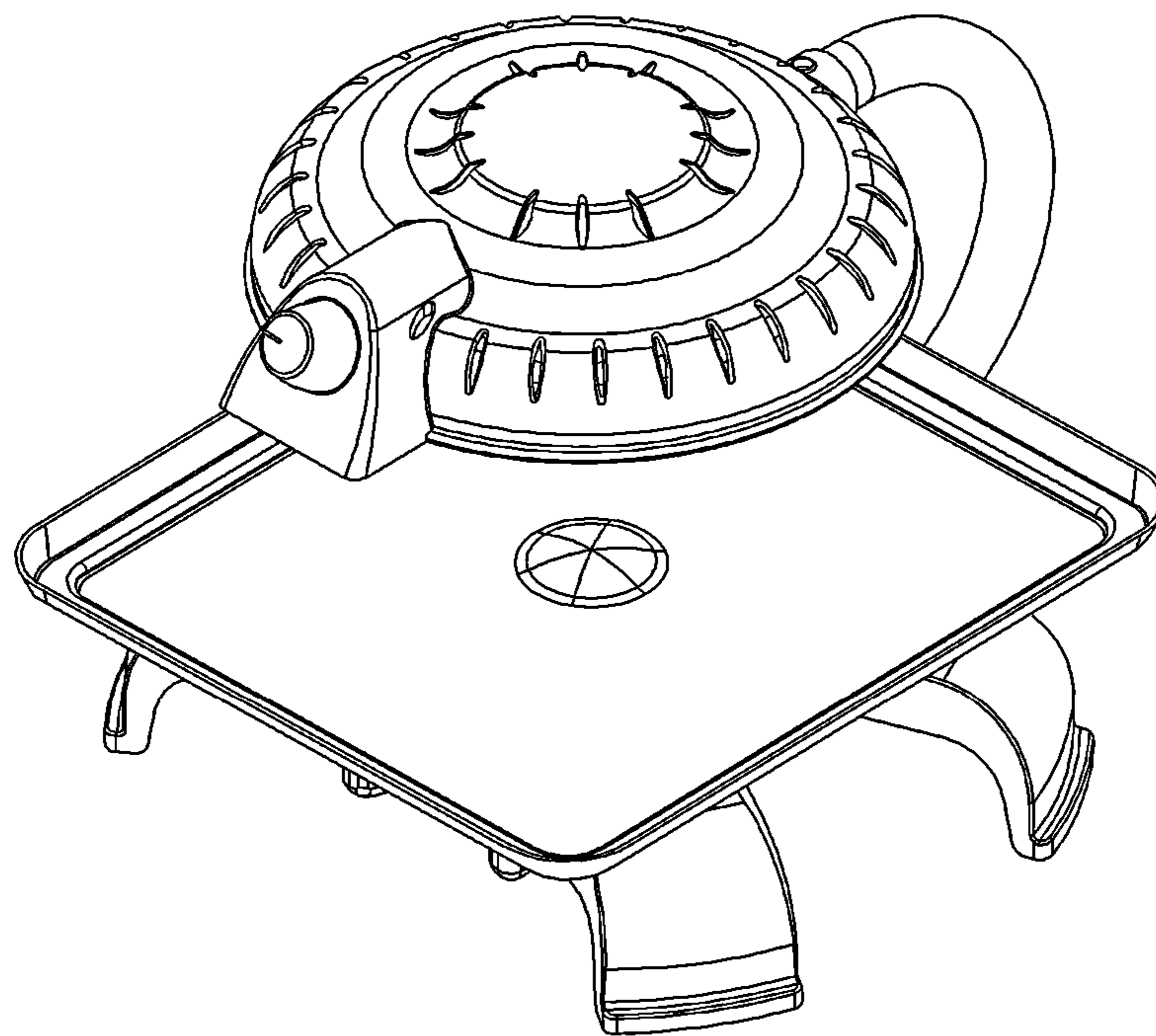


FIG. 2

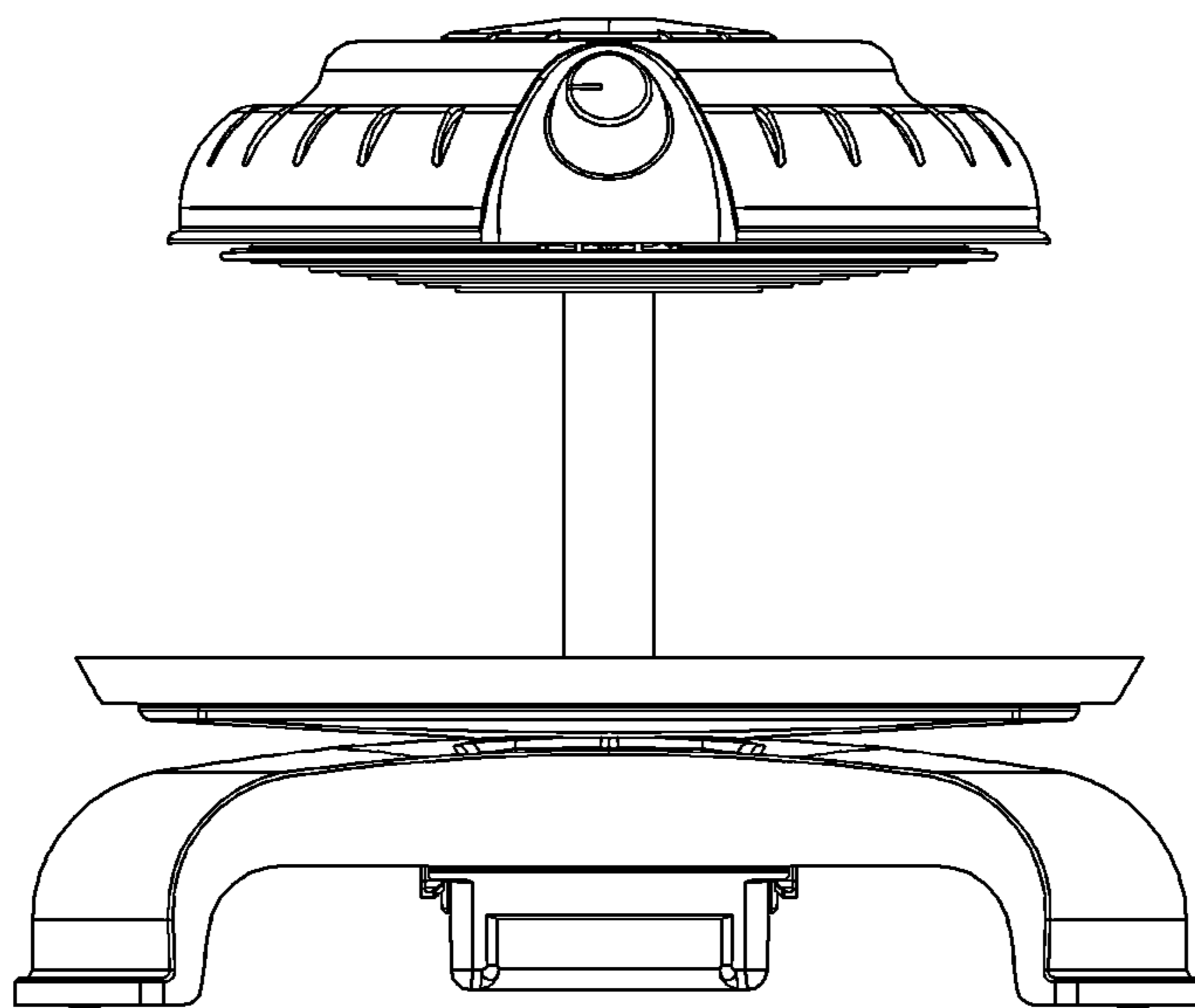


FIG. 3

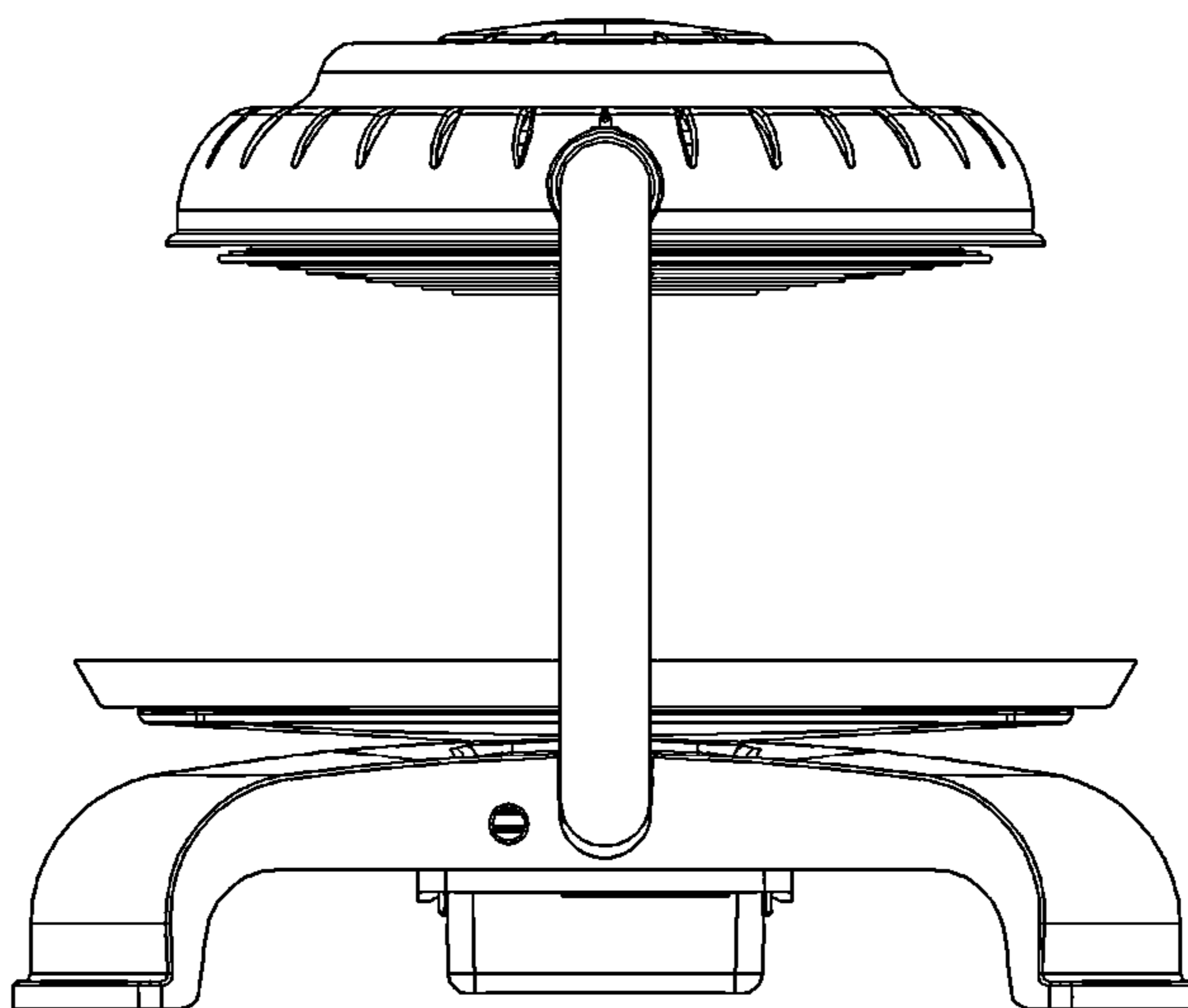


FIG. 4

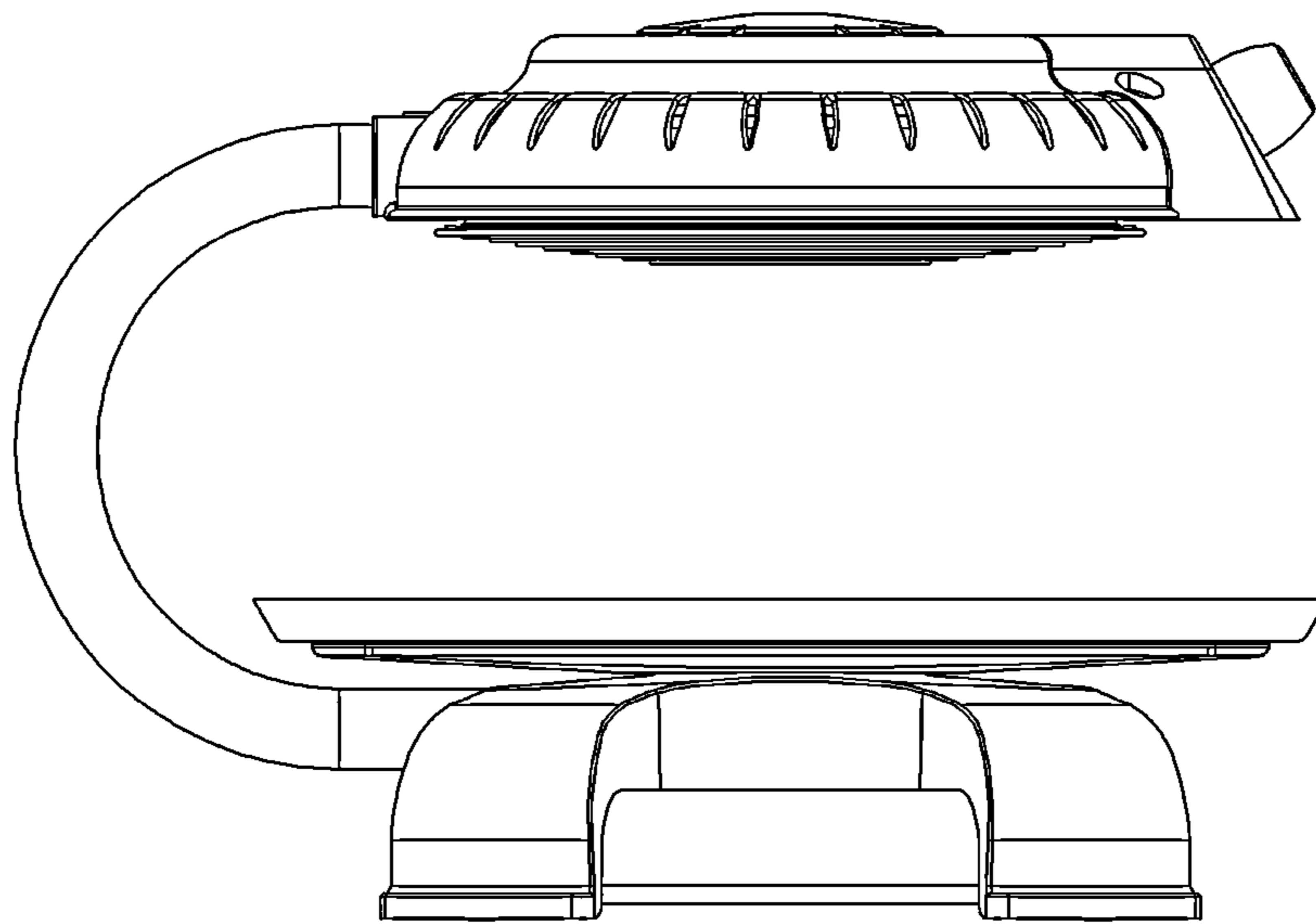


FIG. 5

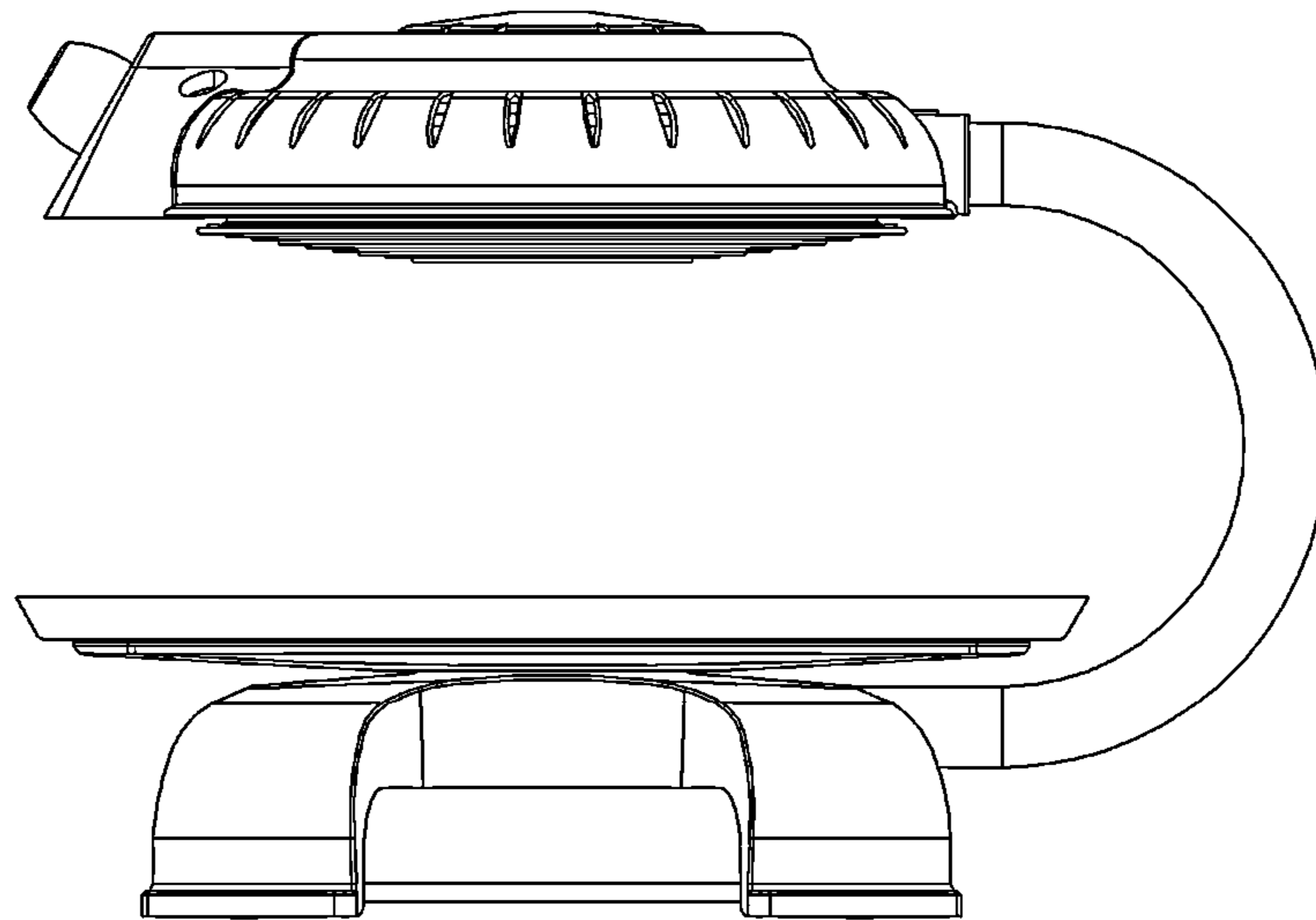


FIG. 6

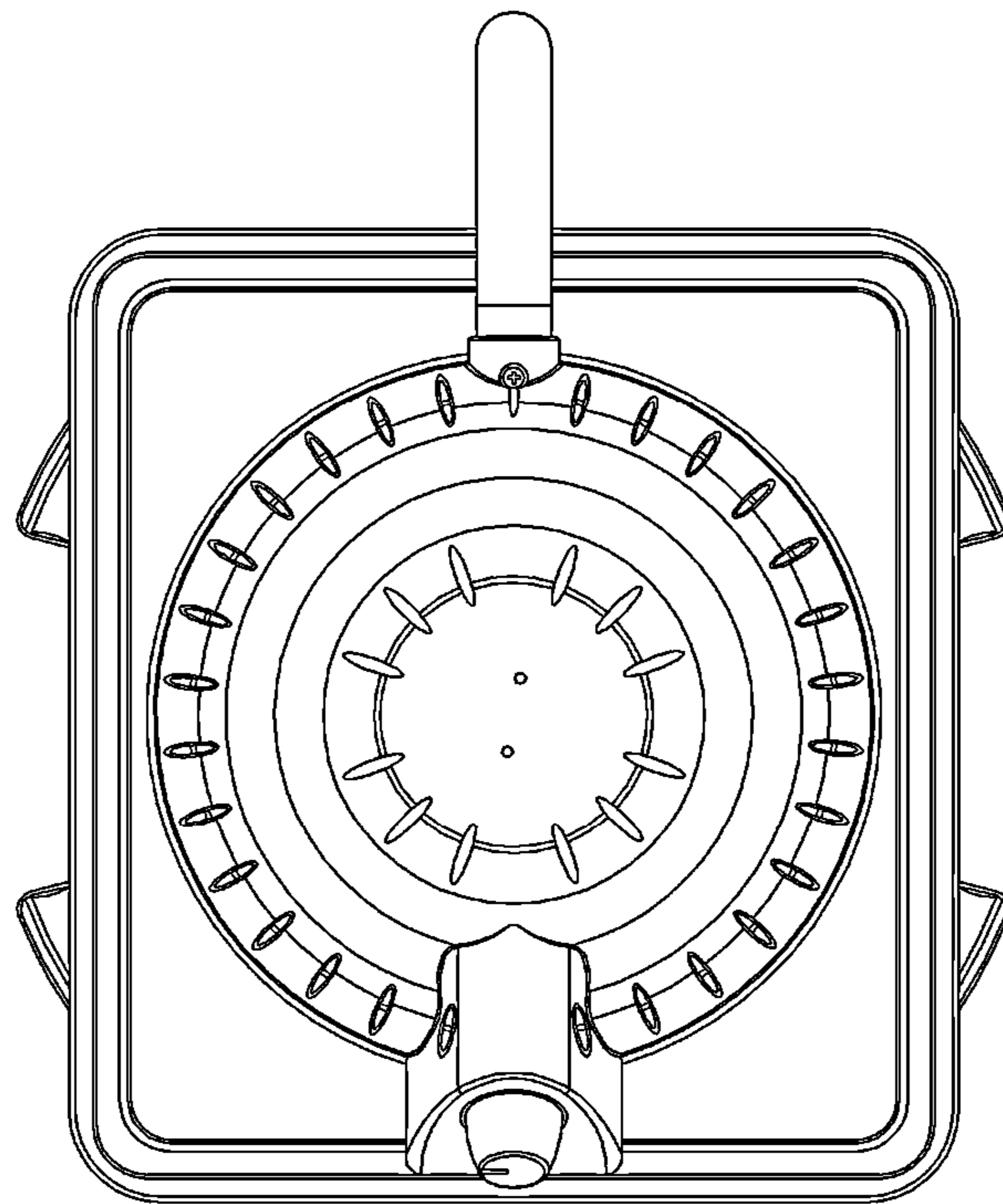




FIG. 7

