



US00D688083S

(12) **United States Design Patent**  
**Crick**

(10) **Patent No.:** **US D688,083 S**

(45) **Date of Patent:** **\*\* Aug. 20, 2013**

(54) **BARBEQUE GRILL**

(71) Applicant: **Woodland Home Product Pty. Ltd.**,  
Chester Hill (AU)

(72) Inventor: **Andrew Crick**, Balmain (AU)

(73) Assignee: **Woodland Home Products Pty. Ltd.**,  
Chester Hill, NSW (AU)

(\*\*) Term: **14 Years**

(21) Appl. No.: **29/432,512**

(22) Filed: **Sep. 17, 2012**

(30) **Foreign Application Priority Data**

Mar. 16, 2012 (NZ) ..... 416012

(51) **LOC (9) Cl.** ..... **07-02**

(52) **U.S. Cl.**  
USPC ..... **D7/337; D7/402**

(58) **Field of Classification Search**  
USPC ..... D7/332, 334-337, 402-404, 406,  
D7/409; 126/25 R, 41 R, 38, 9 R, 9 A, 9 B,  
126/40, 50, 37 R, 304 R, 305; 99/450, 481,  
99/482; 248/163.1, 440.1, 188.1, 127;  
108/157.13

See application file for complete search history.

(56) **References Cited**

**U.S. PATENT DOCUMENTS**

D381,557 S \* 7/1997 Bradley et al. .... D7/402  
D414,374 S \* 9/1999 Ting ..... D7/334  
D417,362 S \* 12/1999 Ting ..... D7/402  
D459,142 S \* 6/2002 Wu ..... D7/334

D460,658 S \* 7/2002 Wu ..... D7/334  
D480,906 S \* 10/2003 Pai ..... D7/334  
D485,116 S \* 1/2004 Kwok ..... D7/334  
D499,600 S \* 12/2004 Bossler ..... D7/335  
D504,798 S \* 5/2005 Nipke et al. .... D7/402  
D505,824 S \* 6/2005 Nipke et al. .... D7/334  
D508,365 S \* 8/2005 Nipke et al. .... D7/334  
D516,366 S \* 3/2006 Nipke et al. .... D7/334  
D528,847 S \* 9/2006 Chung ..... D7/334  
D614,435 S \* 4/2010 Lin ..... D7/334  
D618,486 S \* 6/2010 Bruno et al. .... D7/334  
D656,774 S \* 4/2012 Lin ..... D7/334  
D677,526 S \* 3/2013 Wade ..... D7/402  
2003/0037781 A1 \* 2/2003 Wu ..... 126/25 R  
2003/0106546 A1 \* 6/2003 Wu ..... 126/41 R  
2011/0079209 A1 \* 4/2011 Bruno et al. .... 126/25 R  
2012/0266857 A1 \* 10/2012 Lin ..... 126/25 R

\* cited by examiner

*Primary Examiner* — Ruth McInroy

(74) *Attorney, Agent, or Firm* — Cermak Nakajima LLP;  
Adam J. Cermak

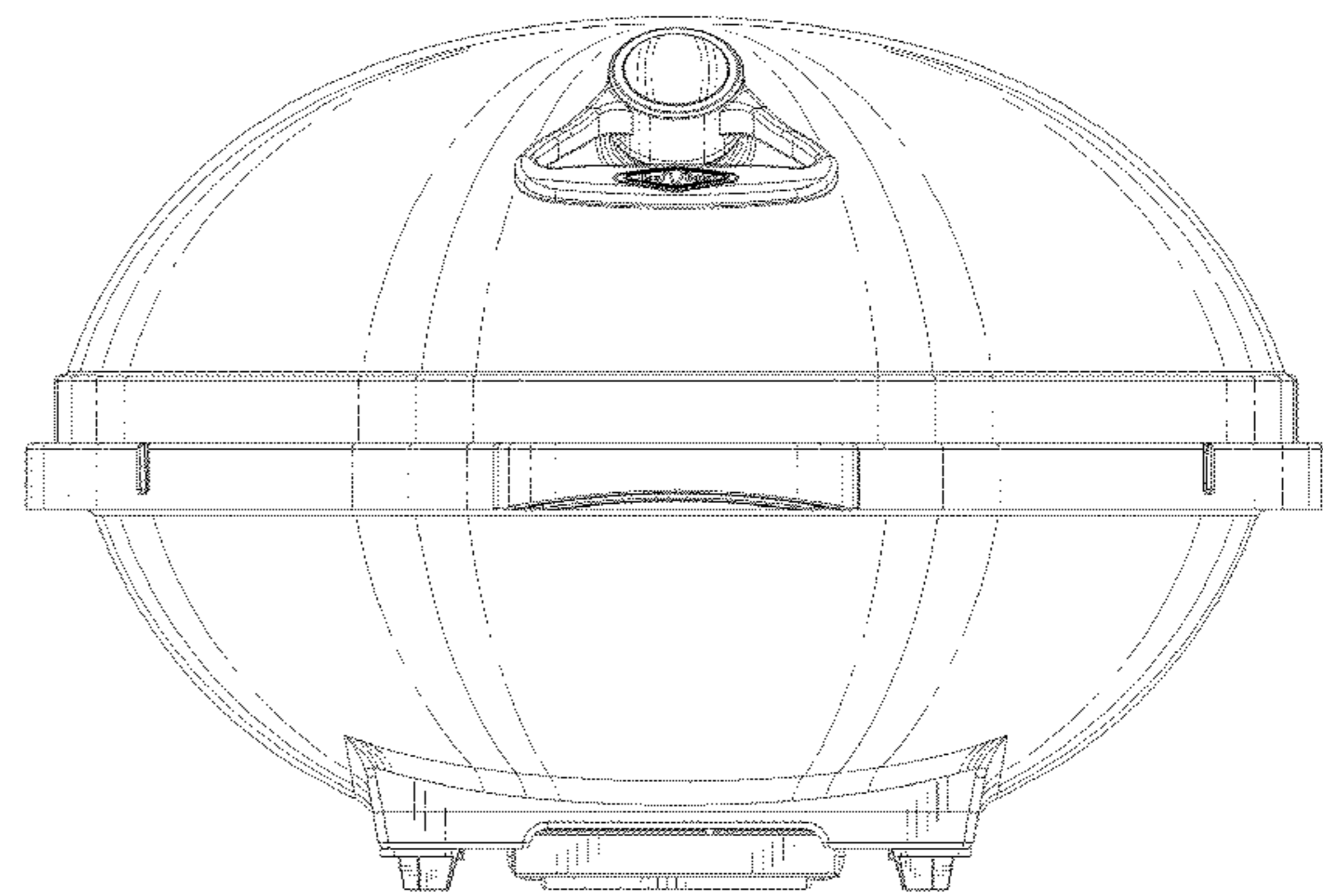
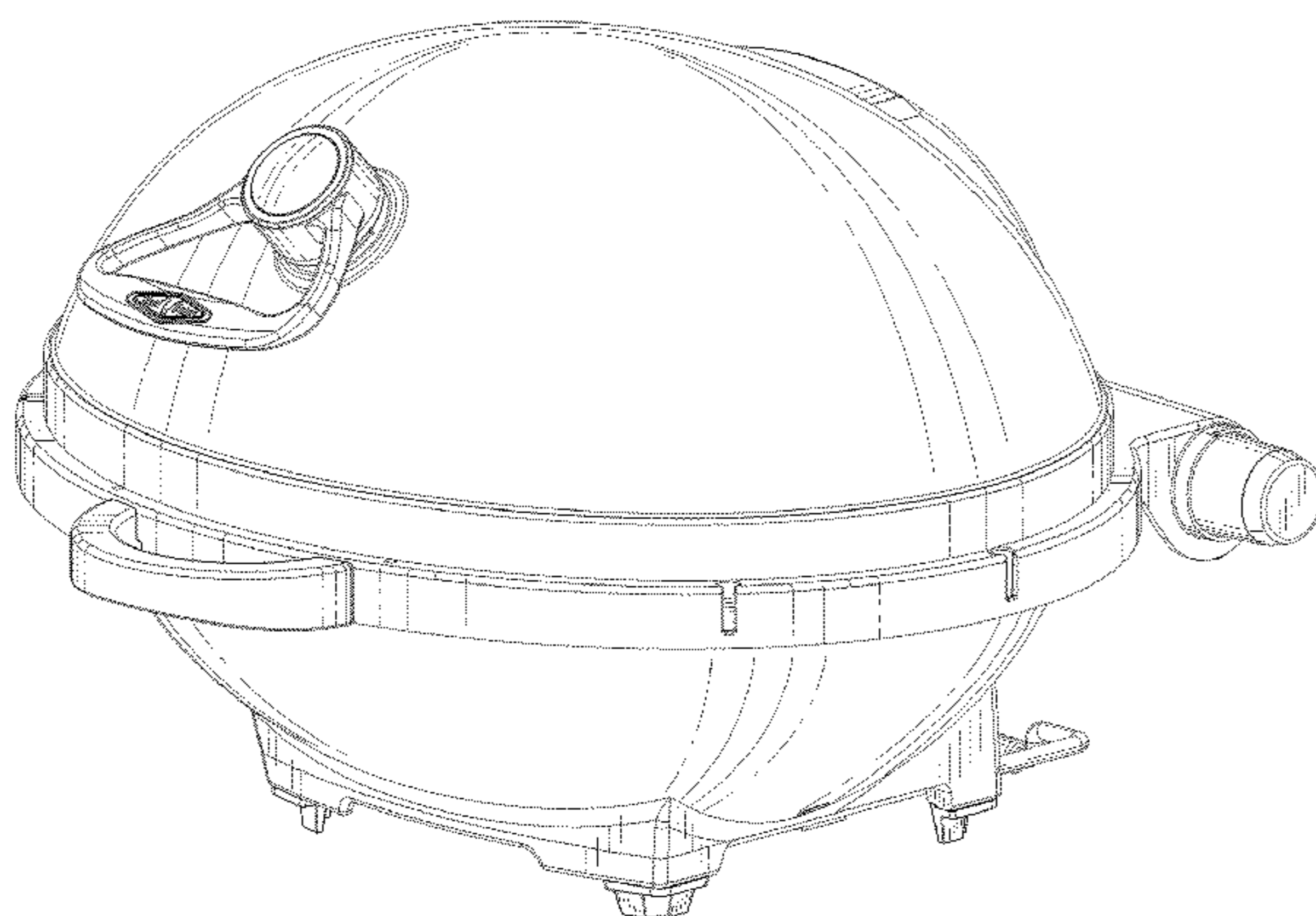
(57) **CLAIM**

I claim the ornamental design for a barbeque grill, as shown  
and described.

**DESCRIPTION**

FIG. 1 is a top, front and left-side perspective view of a  
barbeque grill showing our new design;  
FIG. 2 is a front elevation view thereof;  
FIG. 3 is a rear elevation view thereof;  
FIG. 4 is a left side elevation view thereof;  
FIG. 5 is a right side elevation view thereof;  
FIG. 6 is a top plan view thereof; and,  
FIG. 7 is a bottom plan view thereof.

**1 Claim, 7 Drawing Sheets**



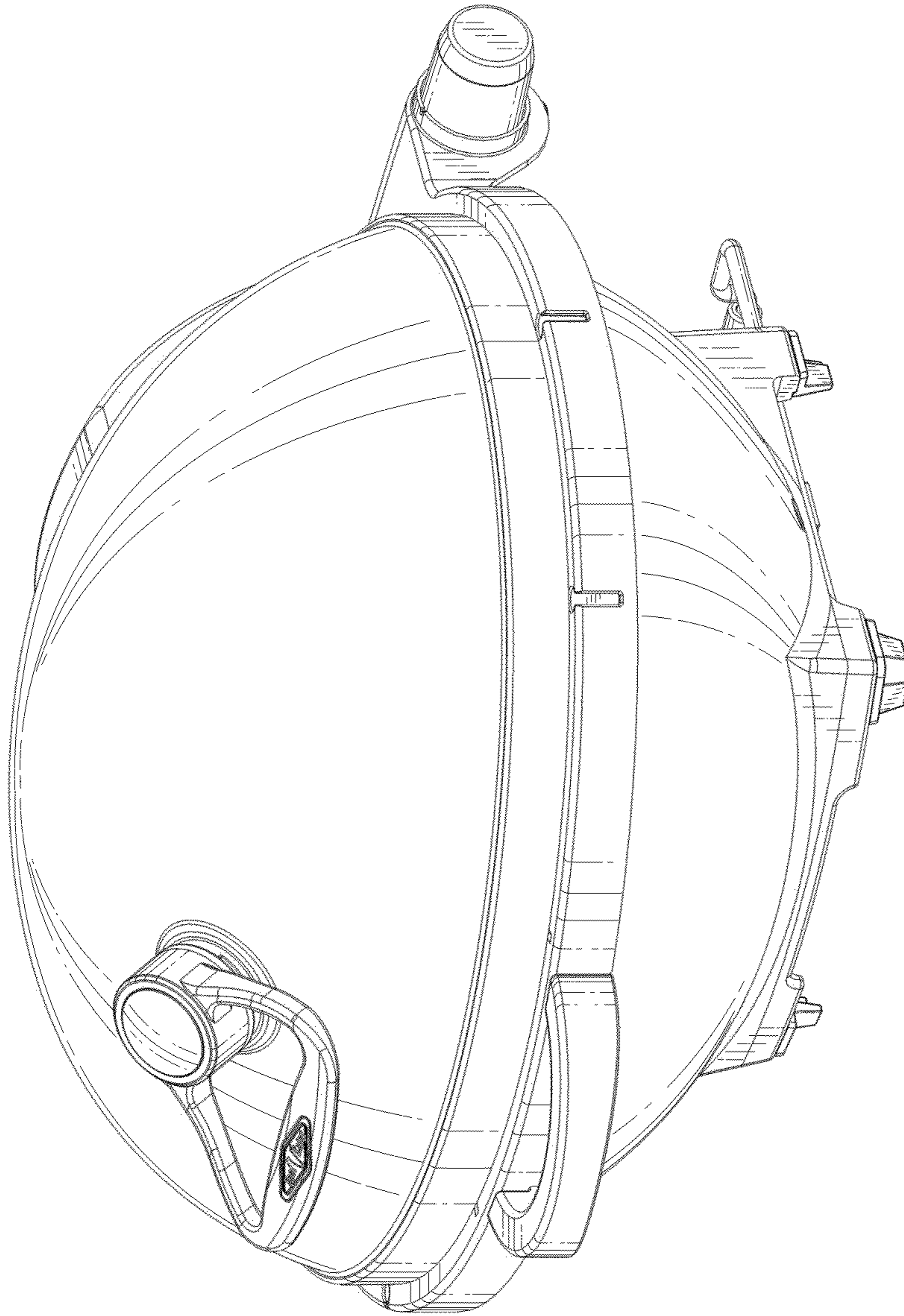


FIG. 1

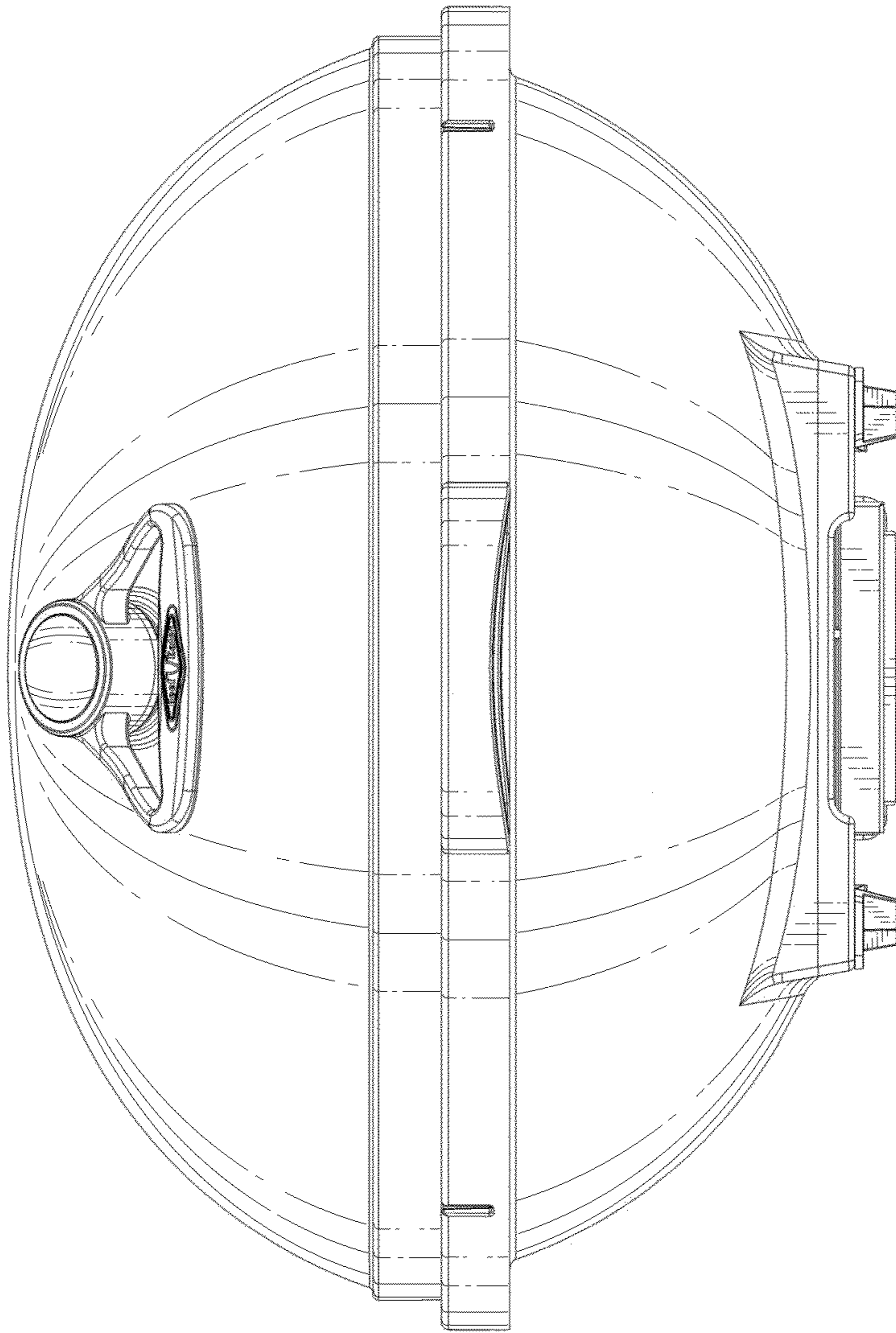


FIG. 2

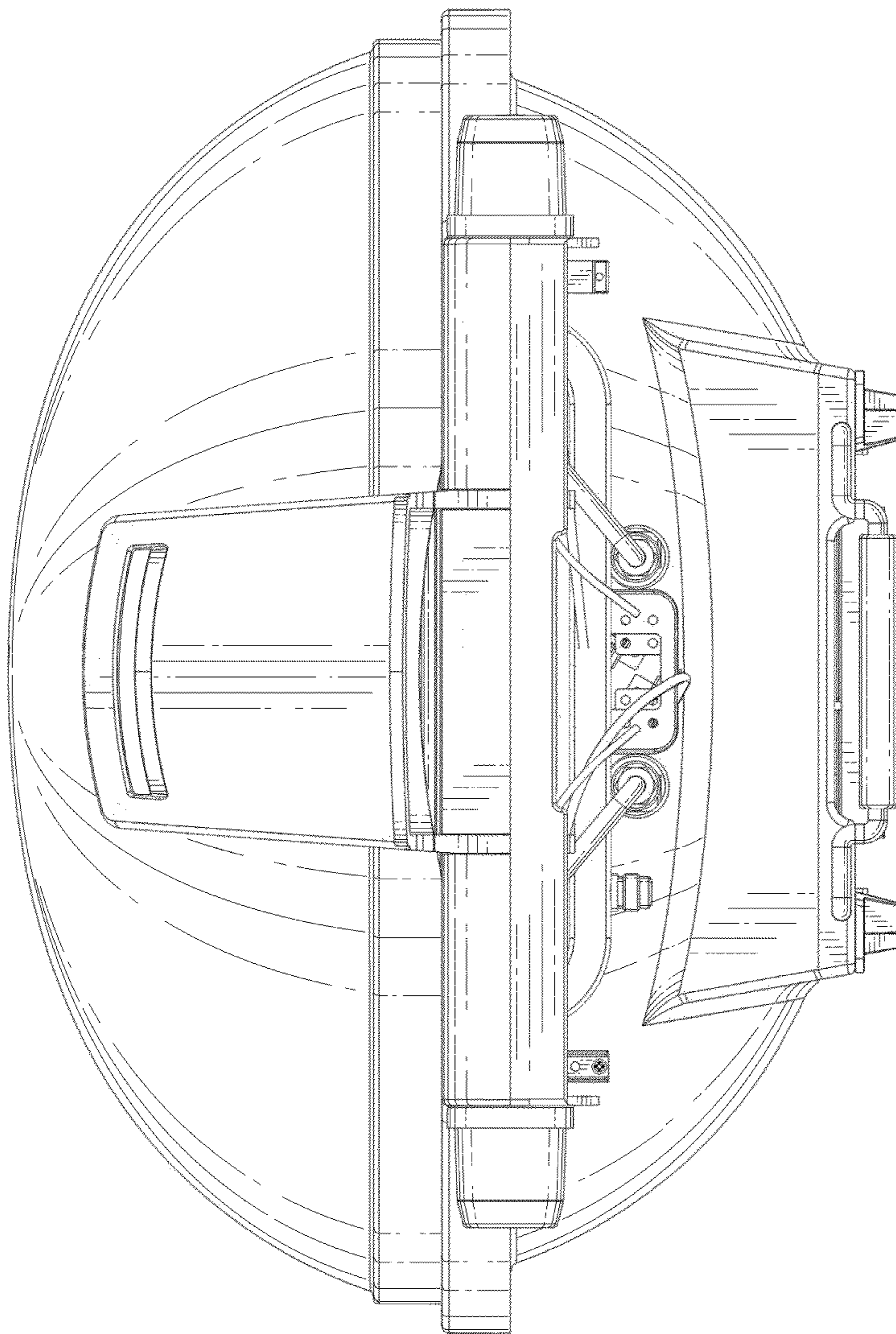


FIG. 3

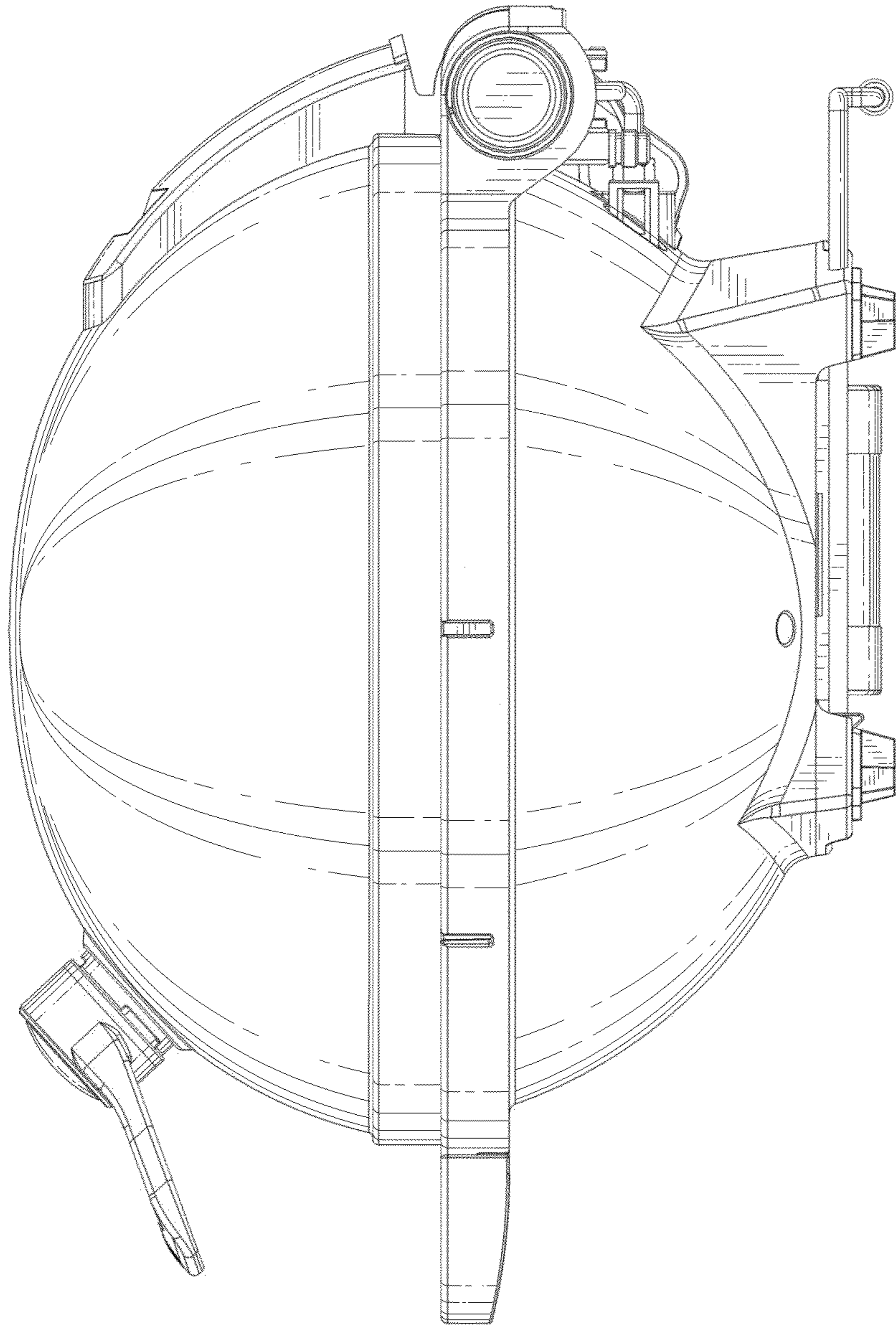


FIG. 4

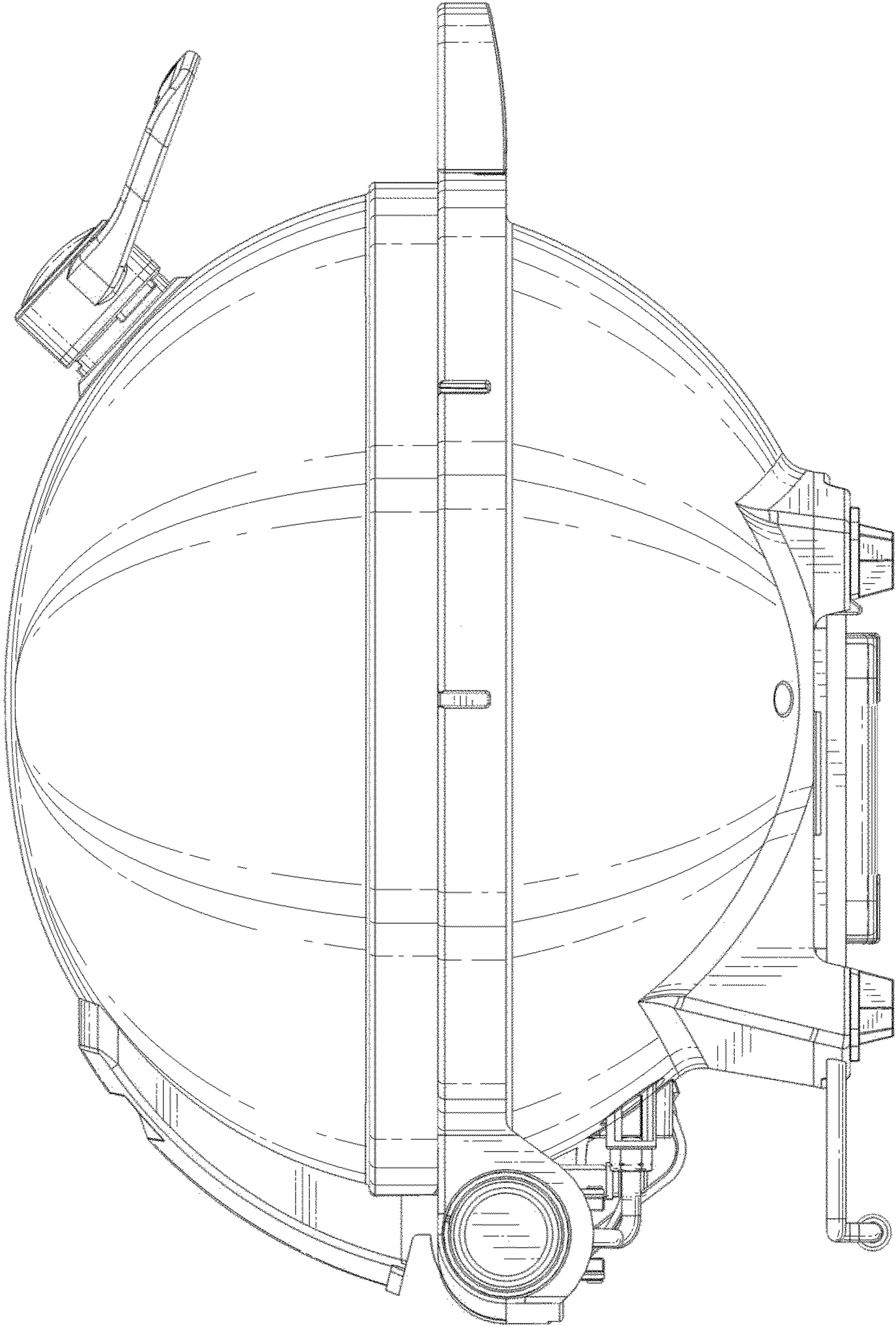


FIG. 5

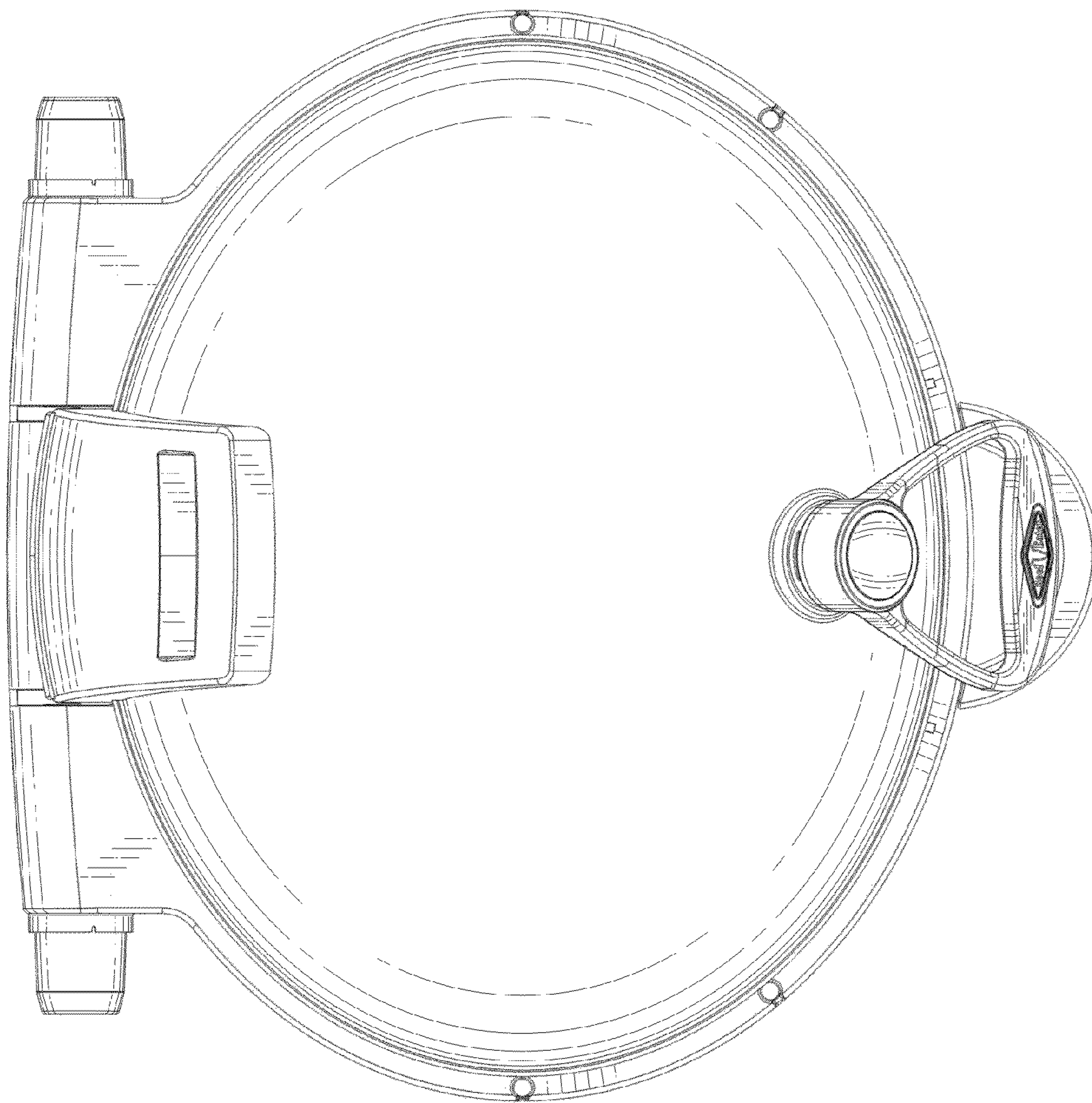


FIG. 6

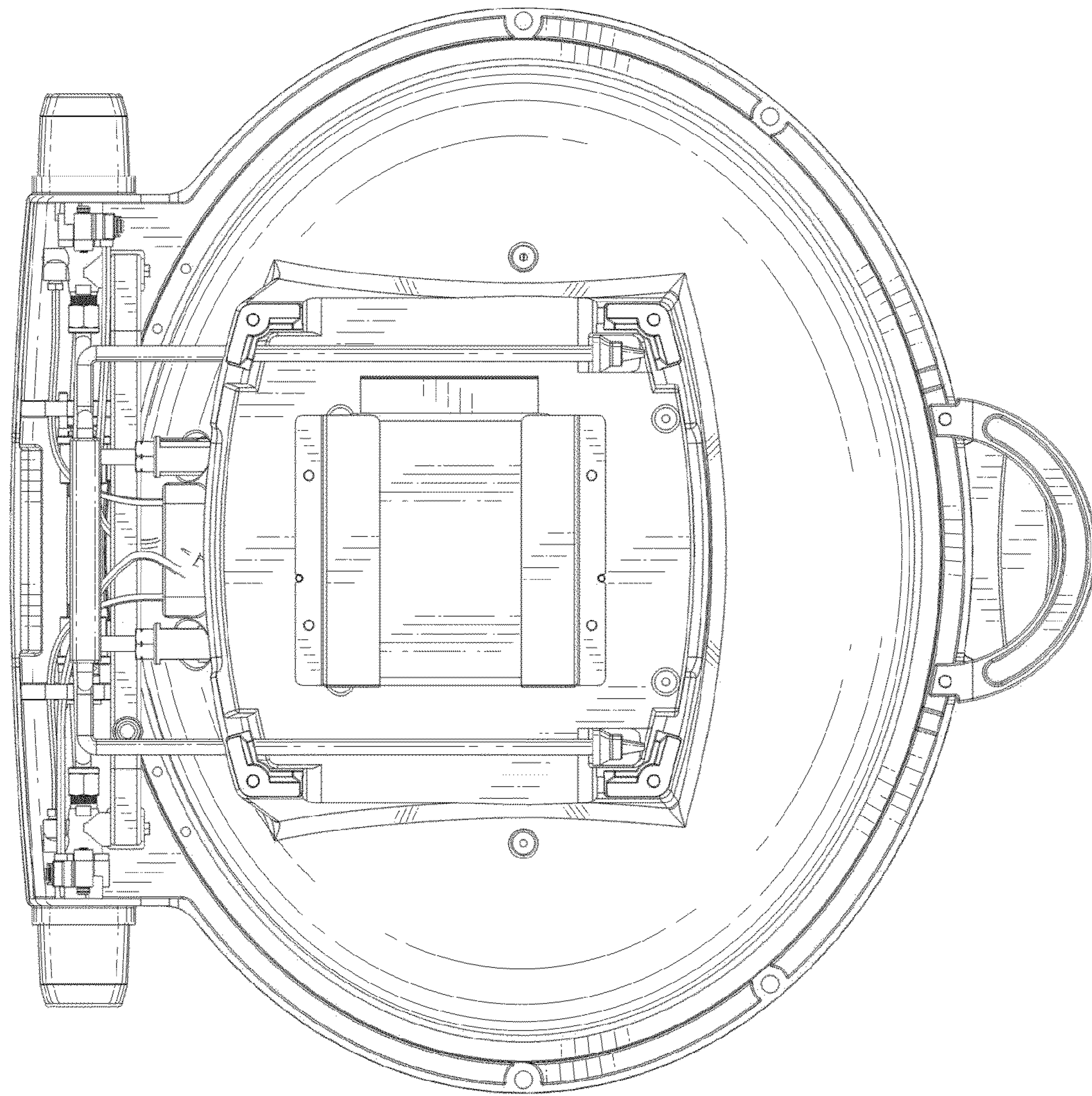


FIG. 7