



US00D688082S

(12) **United States Design Patent**
Crick

(10) **Patent No.:** **US D688,082 S**

(45) **Date of Patent:** **** Aug. 20, 2013**

(54) **BARBEQUE GRILL**

(71) Applicant: **Woodland Home Product Pty. Ltd.**,
Chester Hill (AU)

(72) Inventor: **Andrew Crick**, Balmain (AU)

(73) Assignee: **Woodland Home Products Pty. Ltd.**,
Chester Hill, NSW (AU)

(**) Term: **14 Years**

(21) Appl. No.: **29/432,523**

(22) Filed: **Sep. 17, 2012**

(30) **Foreign Application Priority Data**

Mar. 16, 2012 (NZ) 416013

(51) **LOC (9) Cl.** **07-02**

(52) **U.S. Cl.**
USPC **D7/334**

(58) **Field of Classification Search**

USPC D7/332, 334-337, 402-404, 406,
D7/409; 126/25 R, 41 R, 38, 9 R, 9 A, 9 B,
126/40, 50, 37 R, 304 R, 305; 99/450, 481,
99/482; 248/163.1, 440.1, 188.1, 127;
108/157.13

See application file for complete search history.

(56) **References Cited**

U.S. PATENT DOCUMENTS

D414,374 S * 9/1999 Ting D7/334
D459,142 S * 6/2002 Wu D7/334

D460,658 S * 7/2002 Wu D7/334
D480,906 S * 10/2003 Pai D7/334
D485,116 S * 1/2004 Kwok D7/334
D499,600 S * 12/2004 Bossler D7/335
D505,824 S * 6/2005 Nipke et al. D7/334
D508,365 S * 8/2005 Nipke et al. D7/334
D516,366 S * 3/2006 Nipke et al. D7/334
D528,847 S * 9/2006 Chung D7/334
D614,435 S * 4/2010 Lin D7/334
D618,486 S * 6/2010 Bruno et al. D7/334
D656,774 S * 4/2012 Lin D7/334
2003/0037781 A1 * 2/2003 Wu 126/25 R
2003/0106546 A1 * 6/2003 Wu 126/41 R
2011/0079209 A1 * 4/2011 Bruno et al. 126/25 R
2012/0266857 A1 * 10/2012 Lin 126/25 R

* cited by examiner

Primary Examiner — Ruth McInroy

(74) *Attorney, Agent, or Firm* — Cermak Nakajima LLP;
Adam J. Cermak

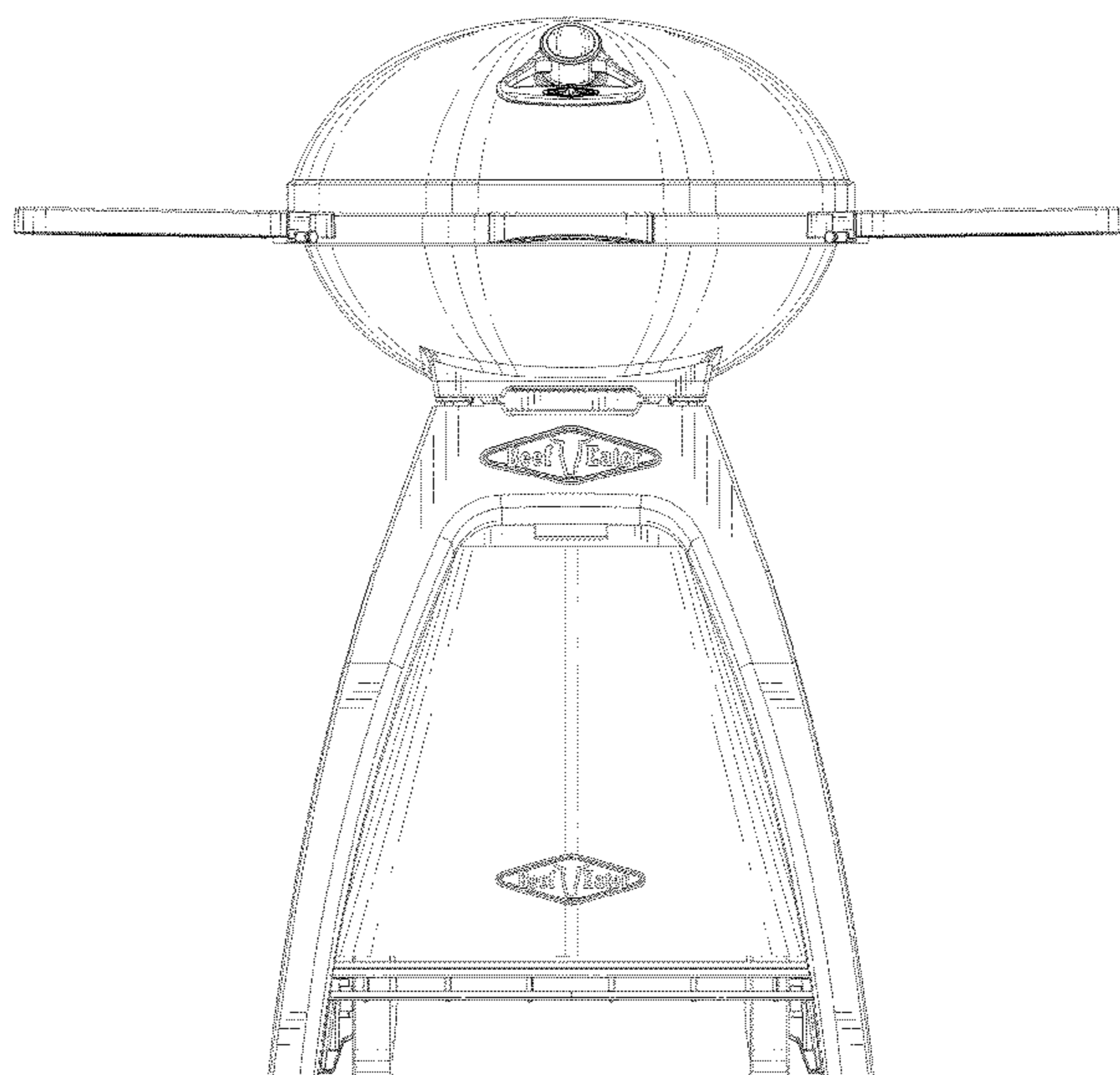
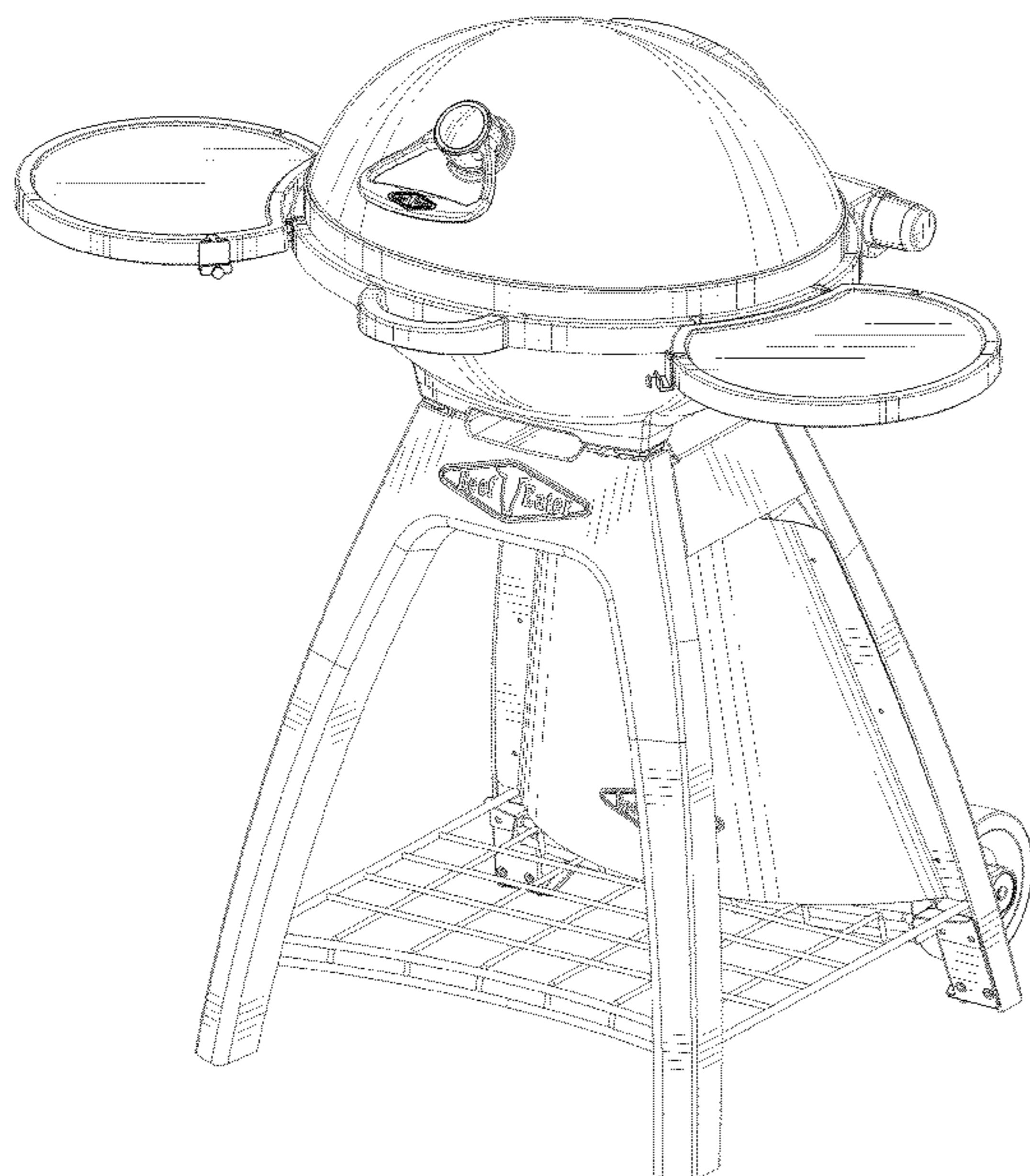
(57) **CLAIM**

The ornamental design for barbeque grill, as shown.

DESCRIPTION

FIG. 1 is a top, front and left-side perspective view of a barbeque grill showing our new design; FIG. 2 is a front elevation view thereof; FIG. 3 is a rear elevation view thereof; FIG. 4 is a left side elevation view thereof; FIG. 5 is a right side elevation view thereof; FIG. 6 is a top plan view thereof; and, FIG. 7 is a bottom plan view thereof.

1 Claim, 7 Drawing Sheets



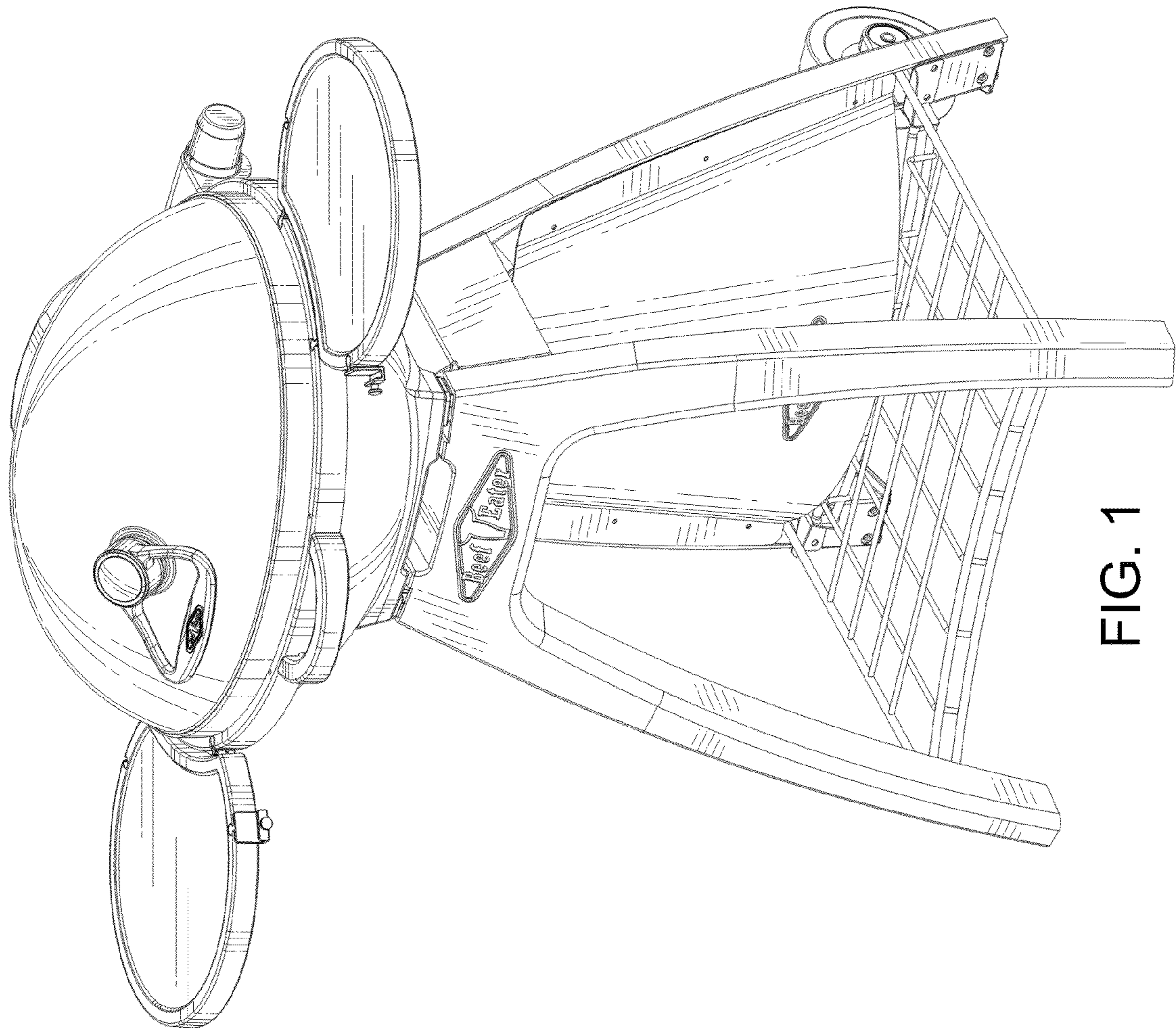


FIG. 1

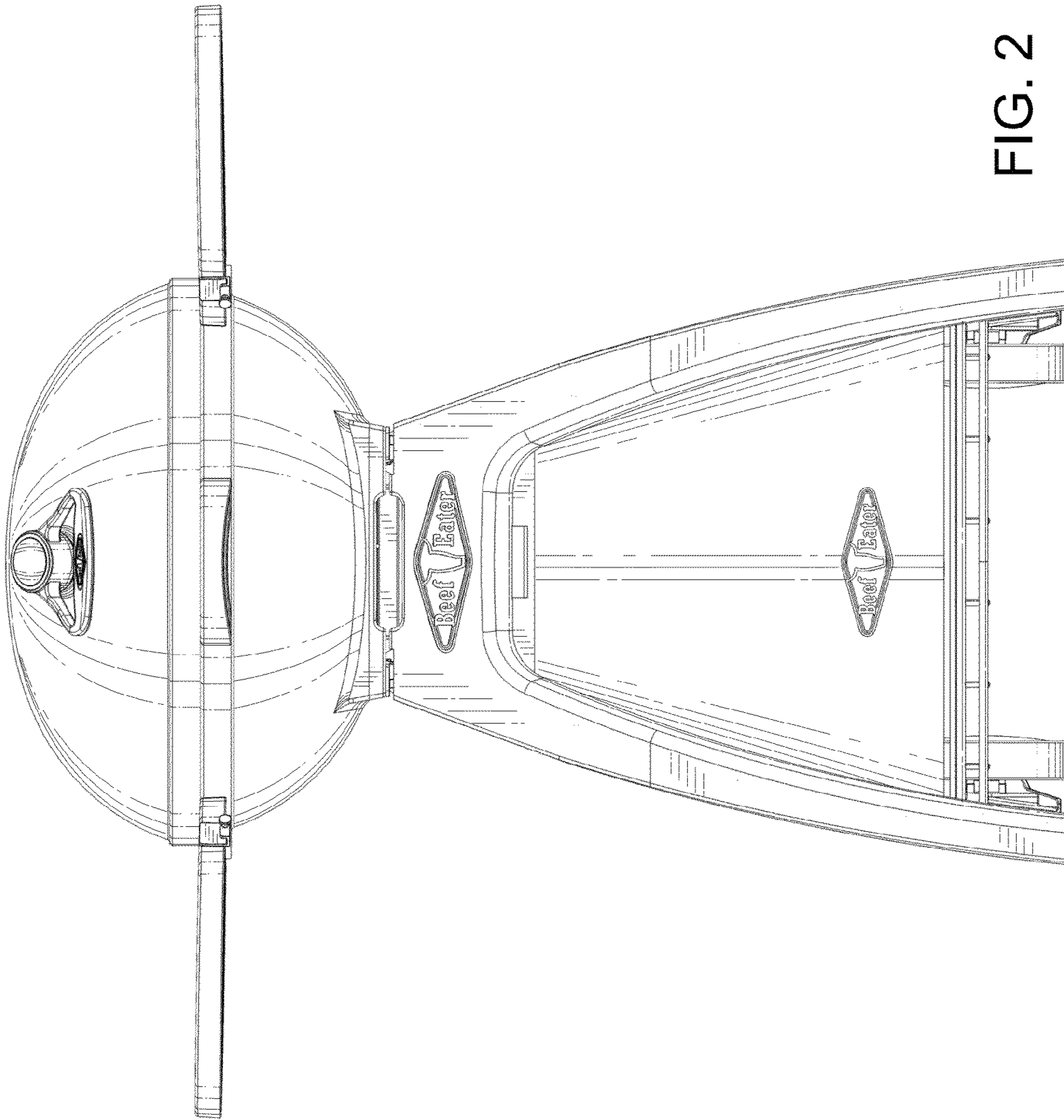


FIG. 2

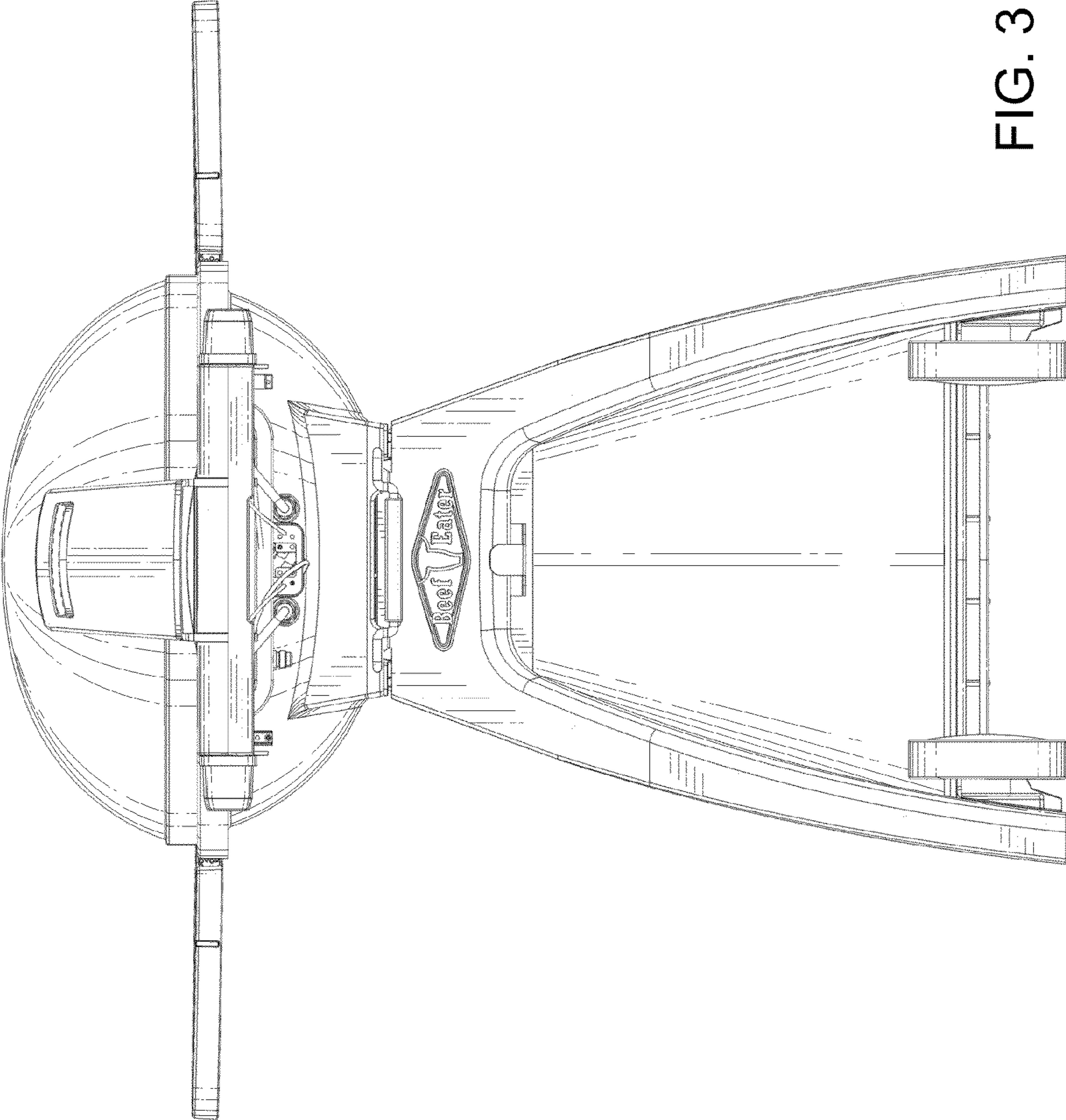


FIG. 3

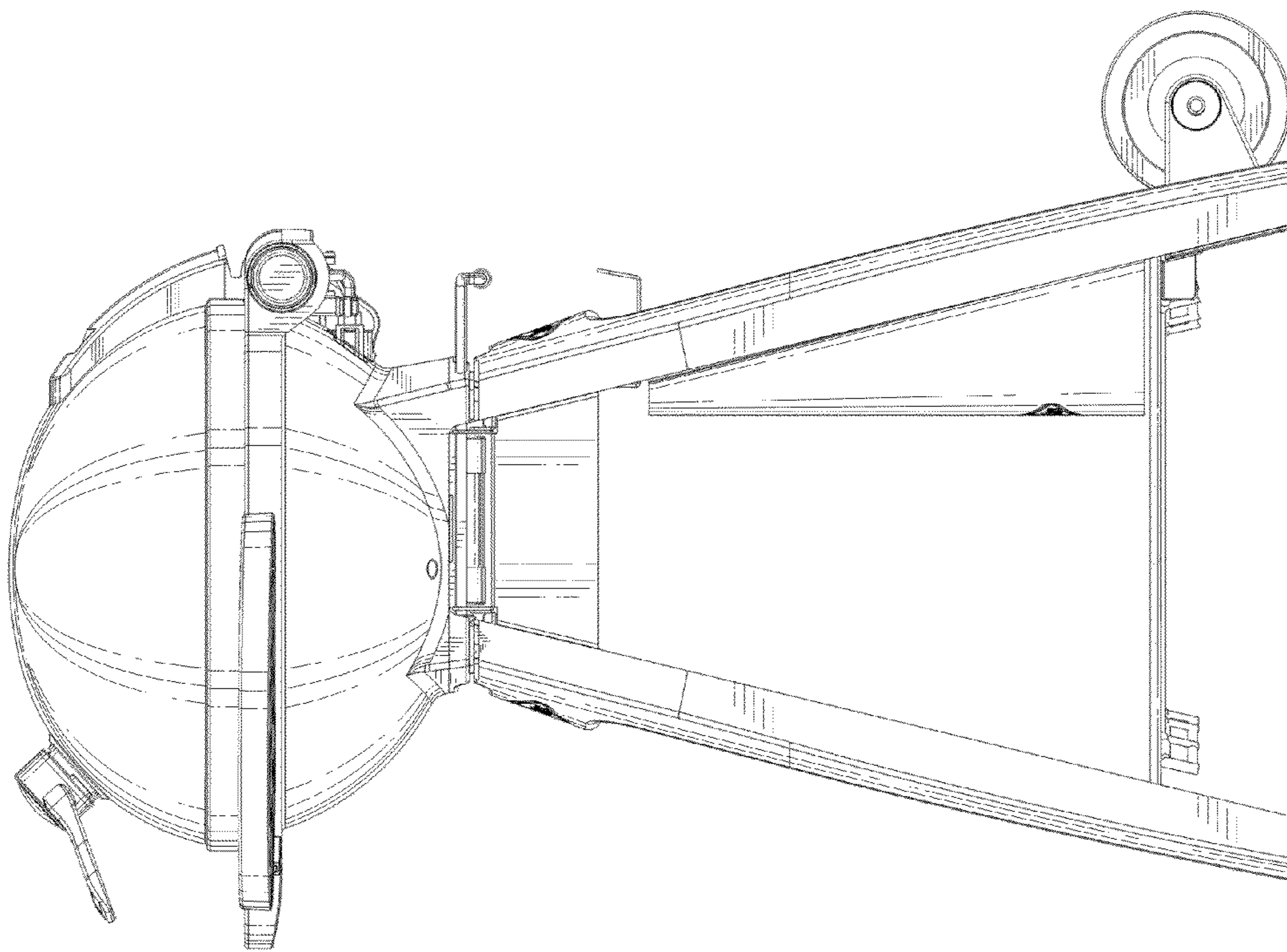


FIG. 4

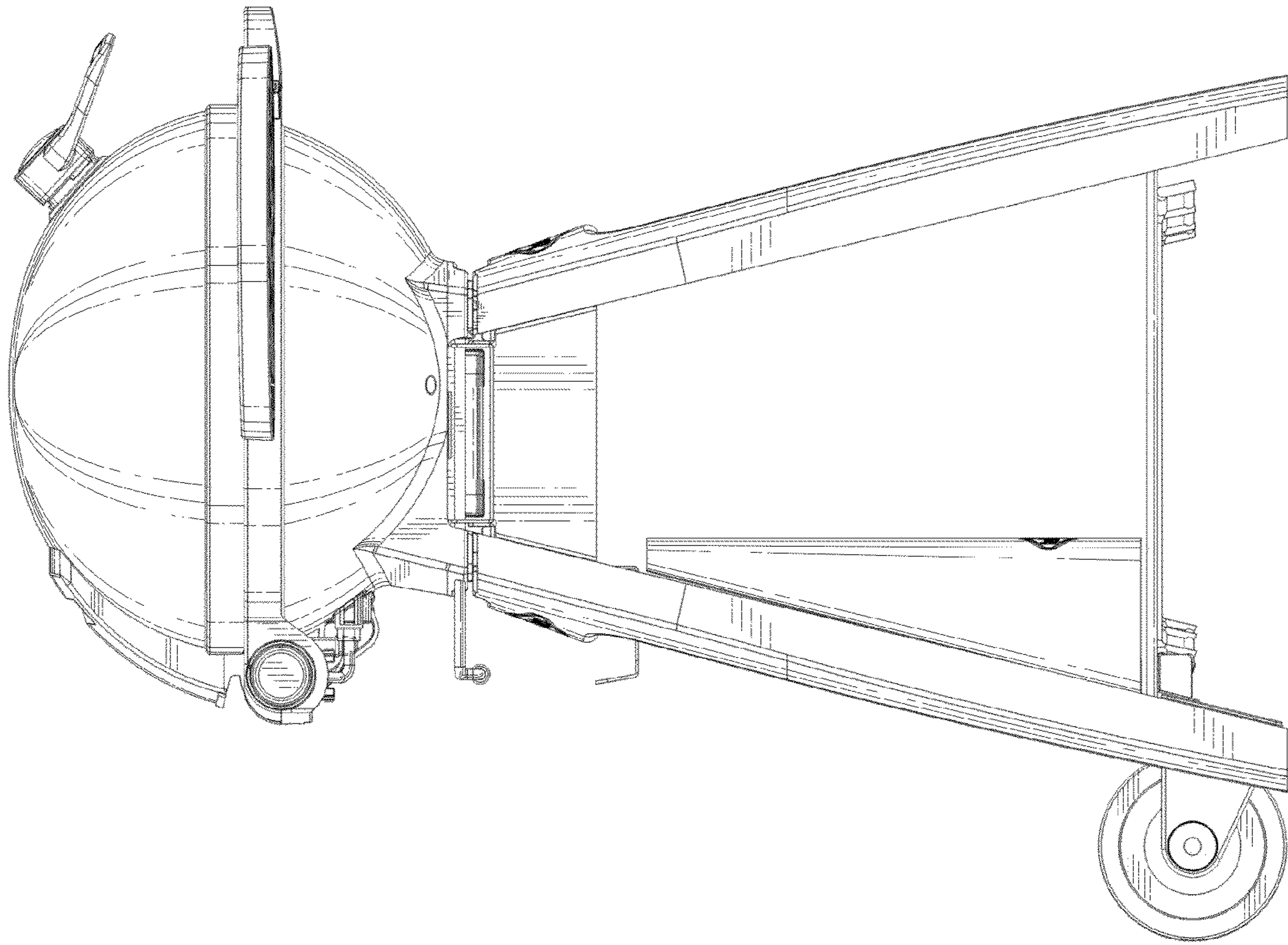


FIG. 5

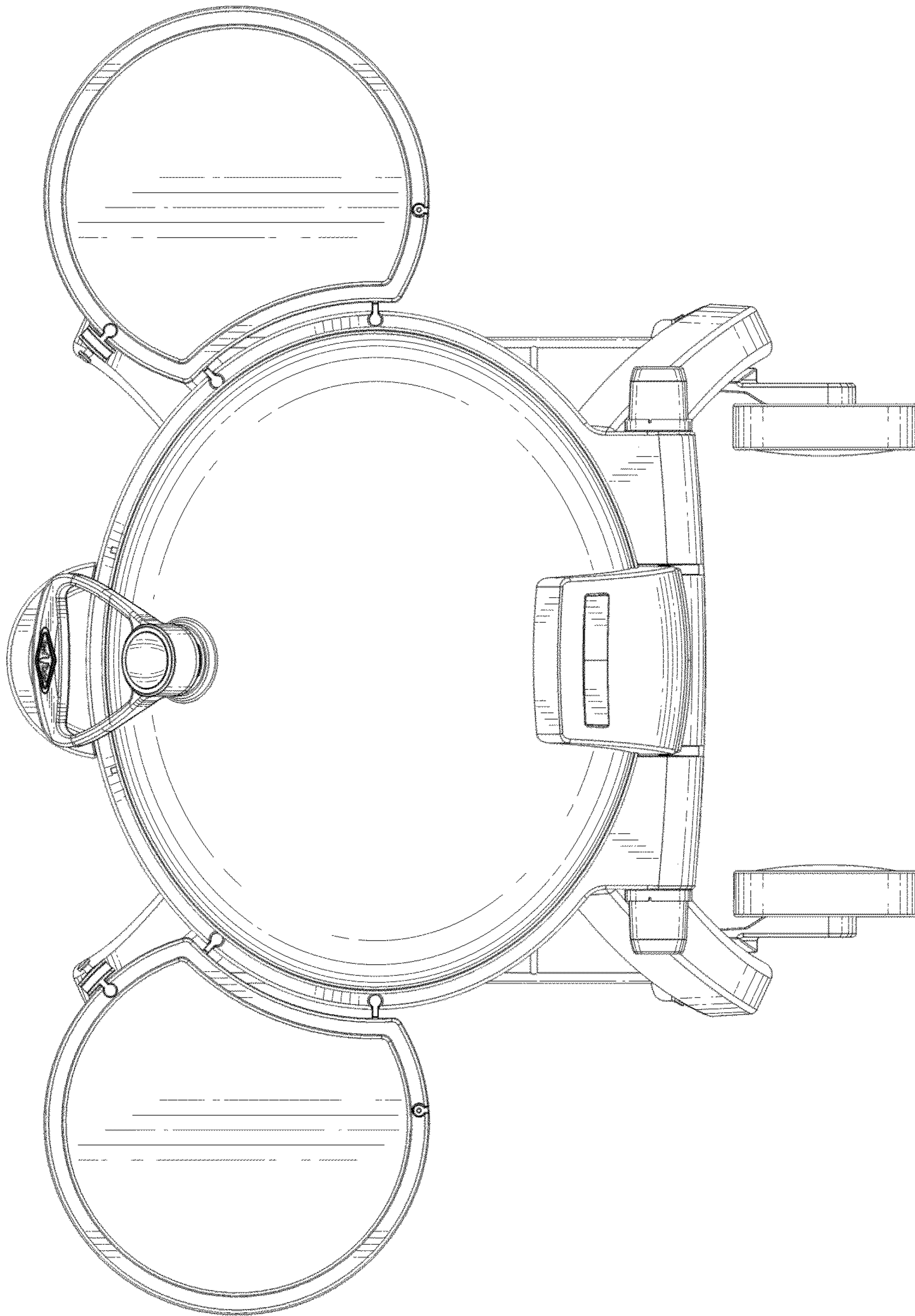


FIG. 6

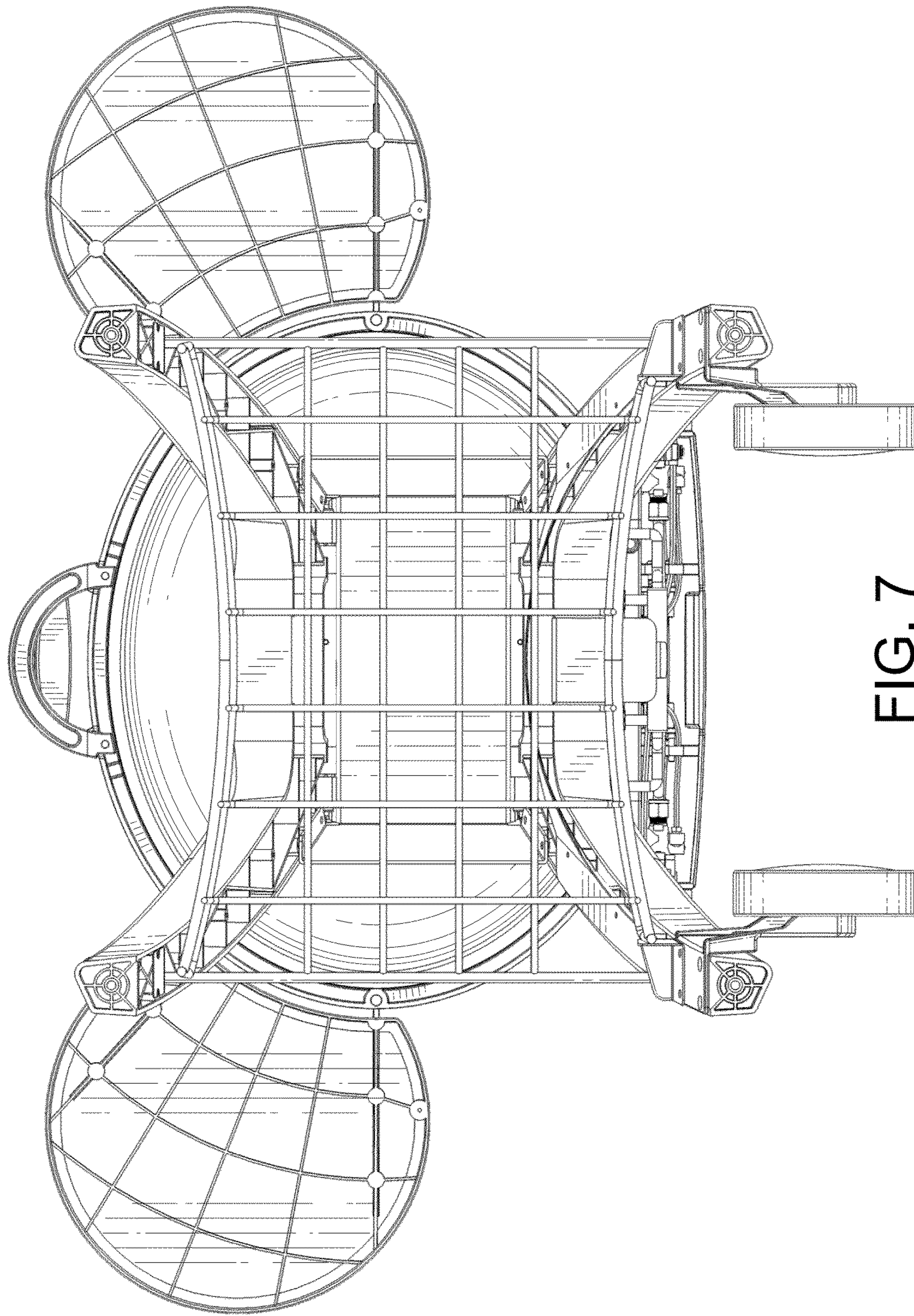


FIG. 7