



US00D688080S

(12) **United States Design Patent**
Kalik et al.

(10) **Patent No.:** **US D688,080 S**

(45) **Date of Patent:** **** Aug. 20, 2013**

(54) **WINE DISPENSING CABINET**

(76) Inventors: **Robert G. Kalik**, Bethesda, MD (US);
Edward L. O’Keefe, Jr., Traverse City,
MI (US)

(**) Term: **14 Years**

(21) Appl. No.: **29/412,989**

(22) Filed: **Feb. 9, 2012**

(51) **LOC (9) Cl.** **07-01**

(52) **U.S. Cl.**
USPC **D7/307; D7/308; D7/311**

(58) **Field of Classification Search**
USPC **D7/306-308, 311, 305; 222/144.5,**
222/148

See application file for complete search history.

(56) **References Cited**

U.S. PATENT DOCUMENTS

D91,822 S *	3/1934	Harazen et al.	D7/301
D144,931 S *	6/1946	Paley	D7/306
D190,599 S *	6/1961	Smith	D7/306
D328,995 S *	9/1992	Verheijen	D7/309

D356,467 S *	3/1995	Smit	D7/311
D402,498 S *	12/1998	Howard et al.	D7/306
6,216,918 B1 *	4/2001	Saveliev et al.	222/148
D445,292 S *	7/2001	Sowden	D7/309
D636,214 S *	4/2011	Parker et al.	D7/306

* cited by examiner

Primary Examiner — Marianne Pandozzi

(74) *Attorney, Agent, or Firm* — Feldman Gale, P.A.;
Michael C. Cesarano

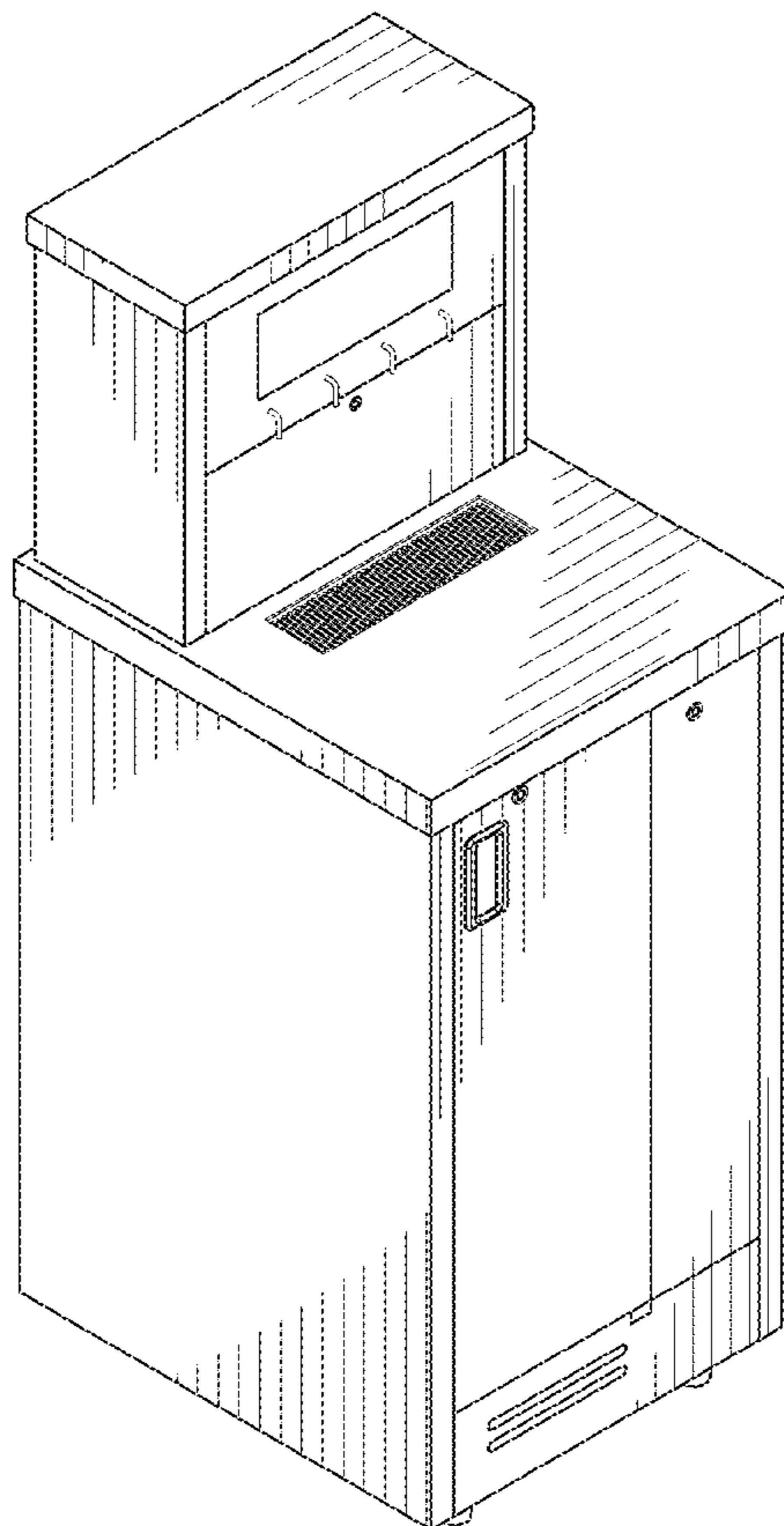
(57) **CLAIM**

The ornamental design for a wine dispensing cabinet, as shown and described.

DESCRIPTION

FIG. 1 is a top front perspective view of a wine dispensing cabinet showing my new design;
FIG. 2 is a bottom rear perspective view thereof;
FIG. 3 is a left side view thereof;
FIG. 4 is a front view thereof;
FIG. 5 is a rear view thereof;
FIG. 6 is a top plan view thereof; and,
FIG. 7 is a bottom plan view thereof.

1 Claim, 6 Drawing Sheets



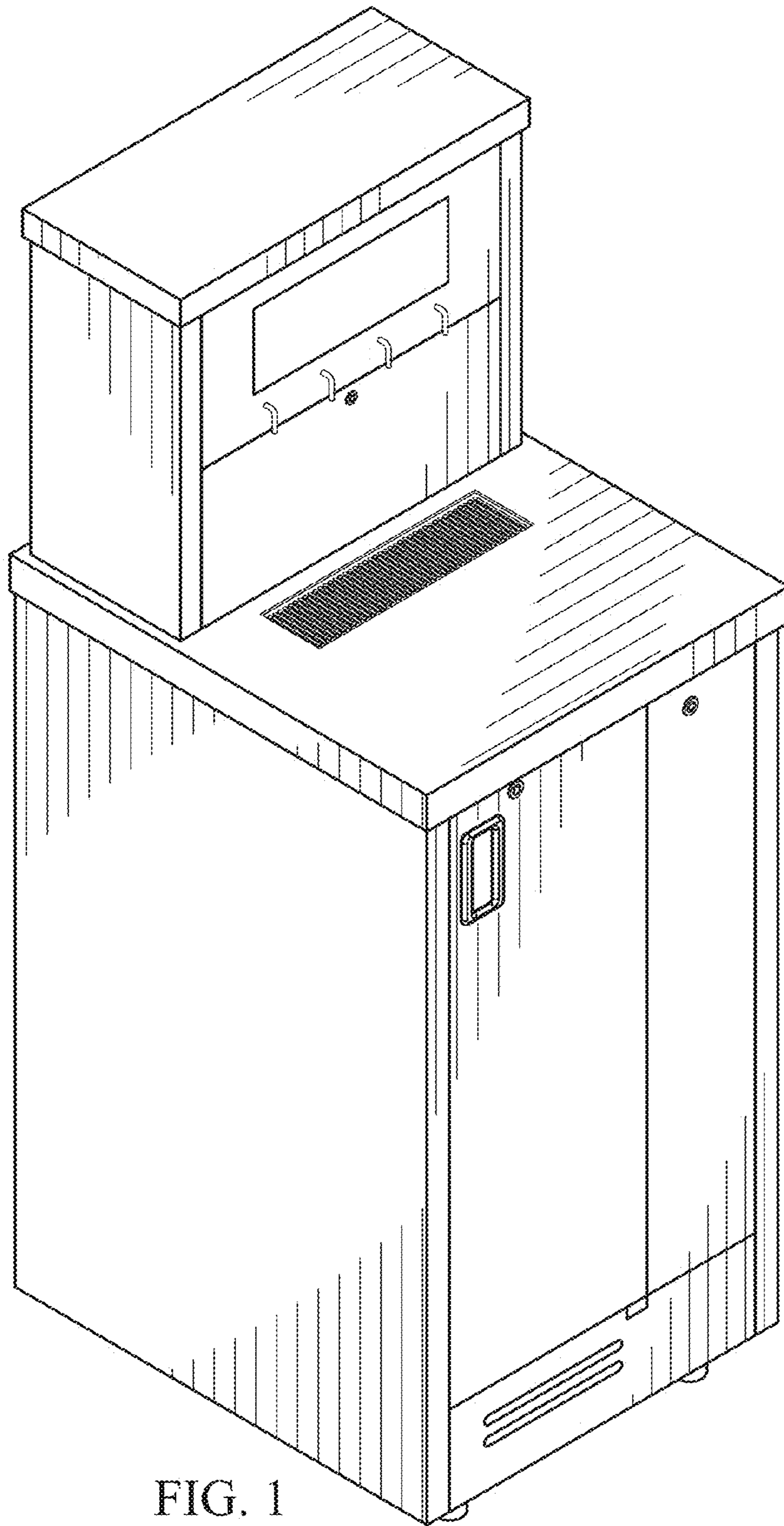


FIG. 1

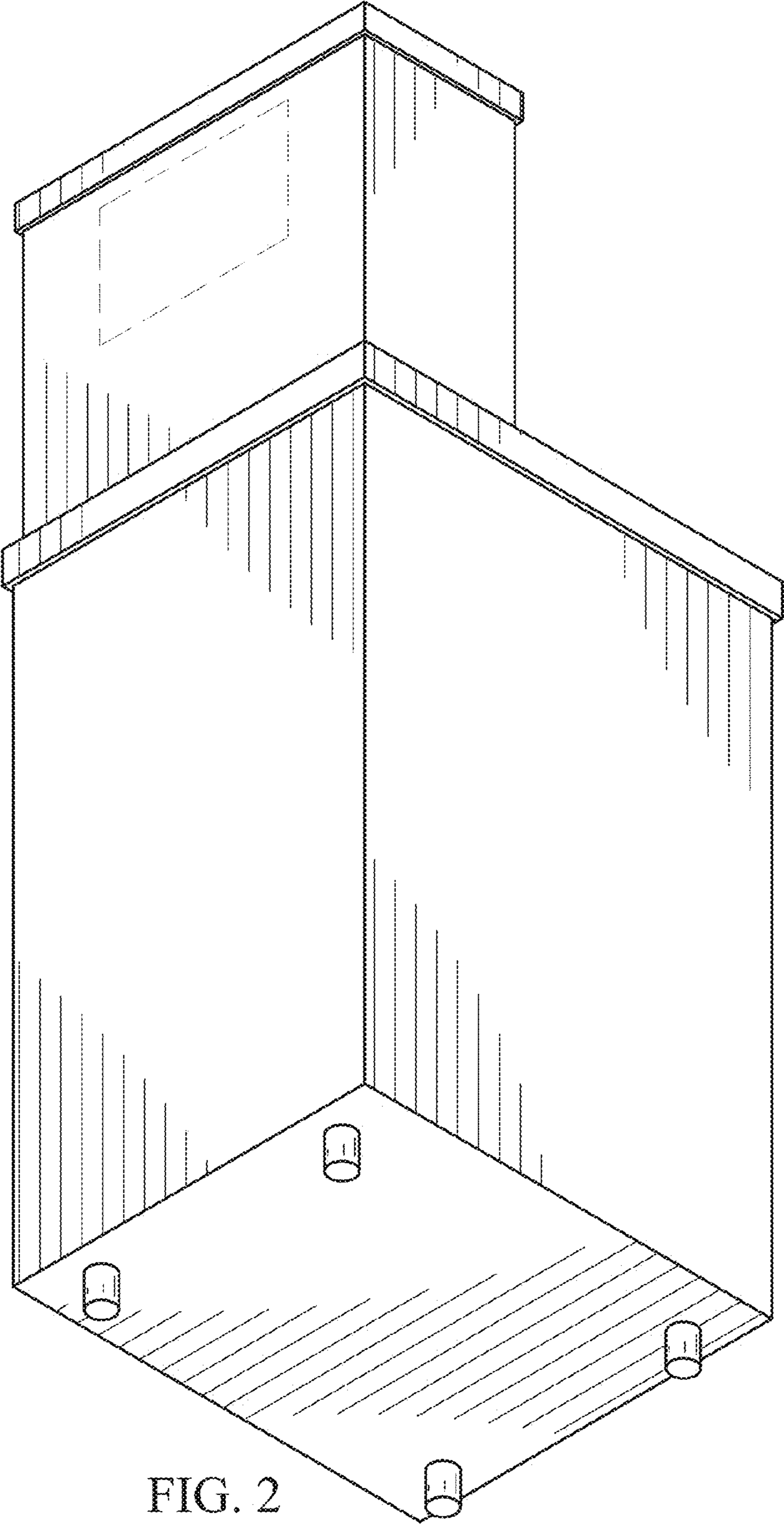


FIG. 2

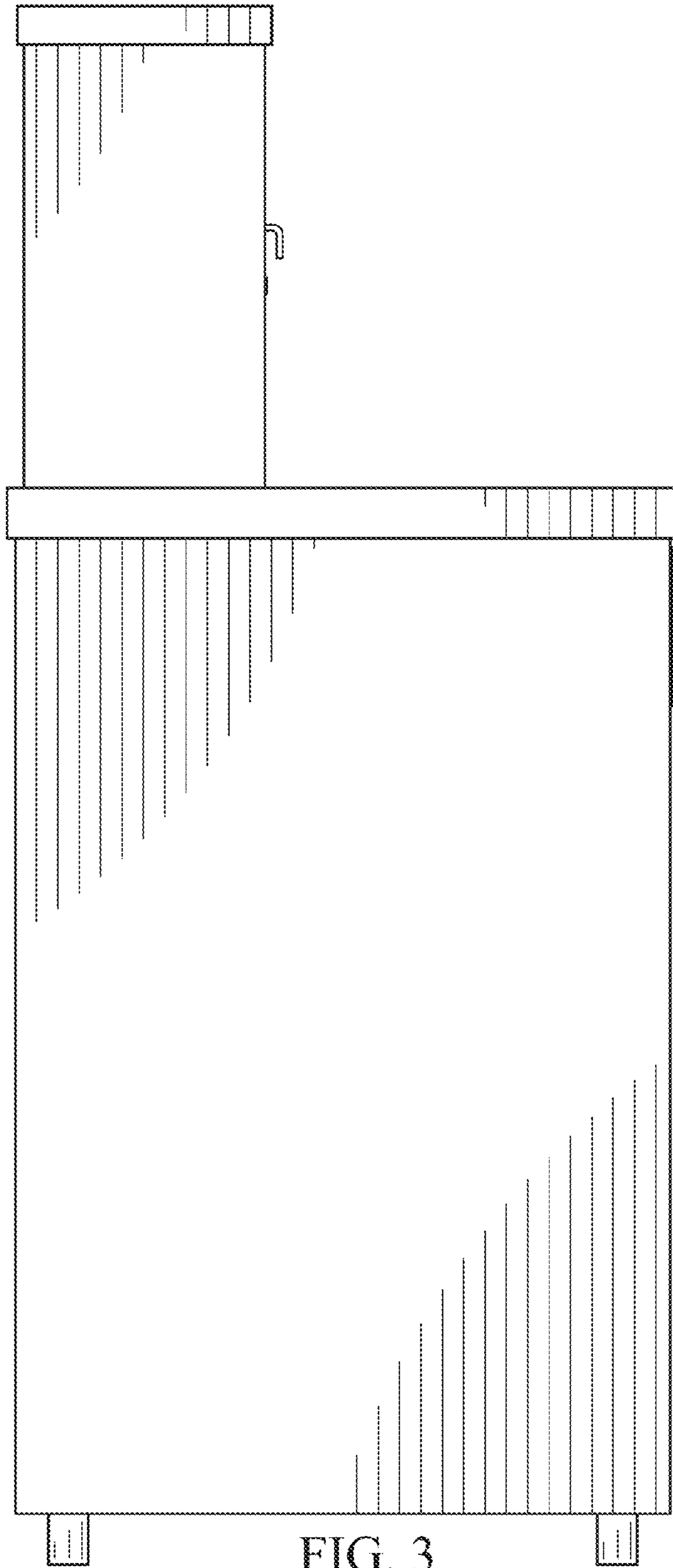


FIG. 3

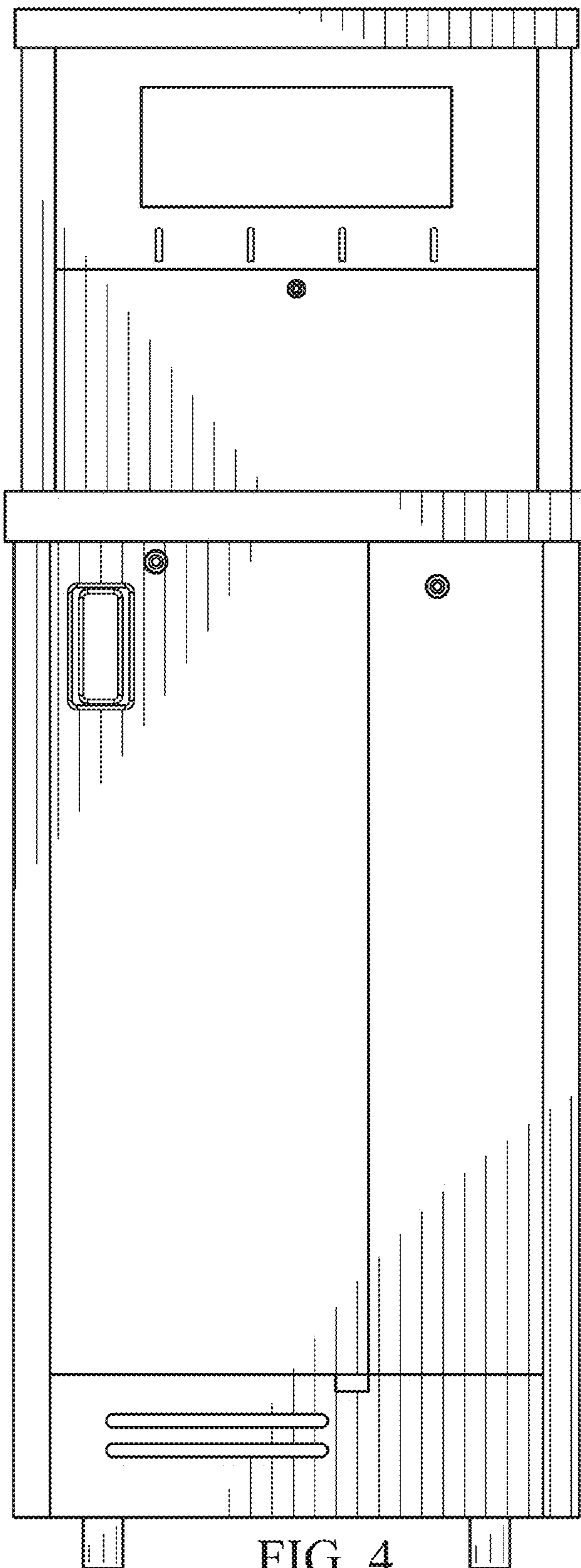


FIG. 4

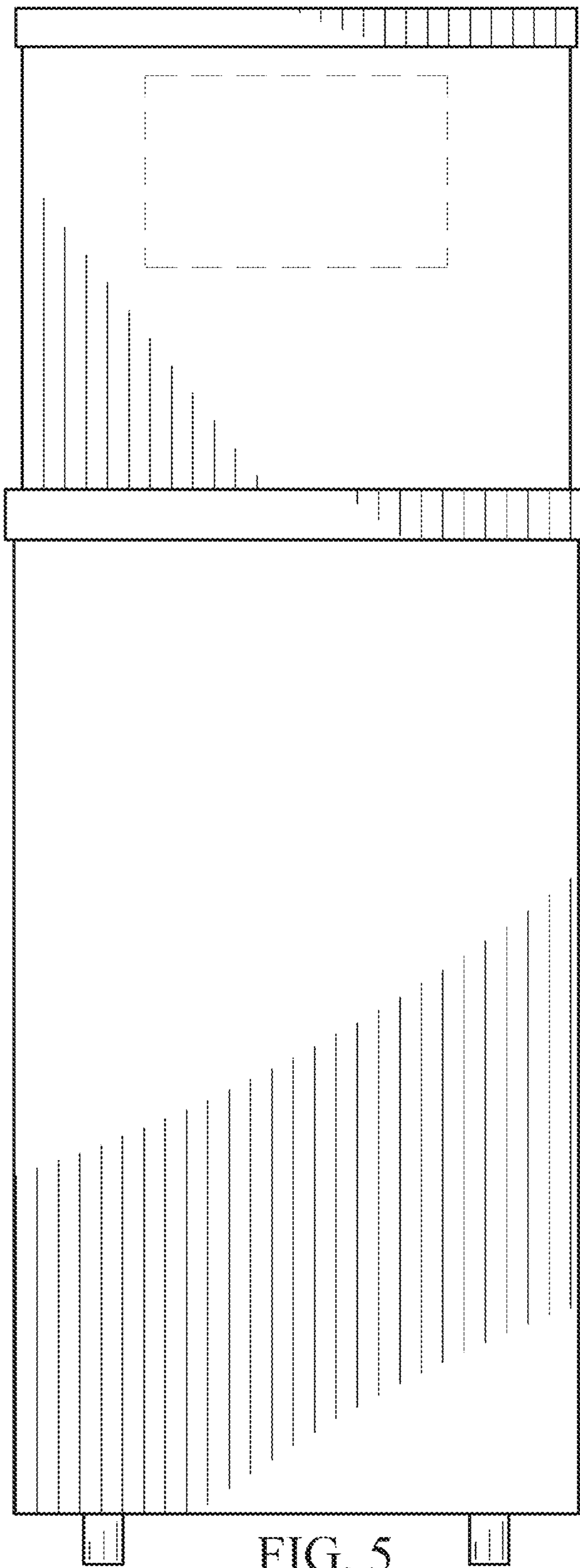


FIG. 5

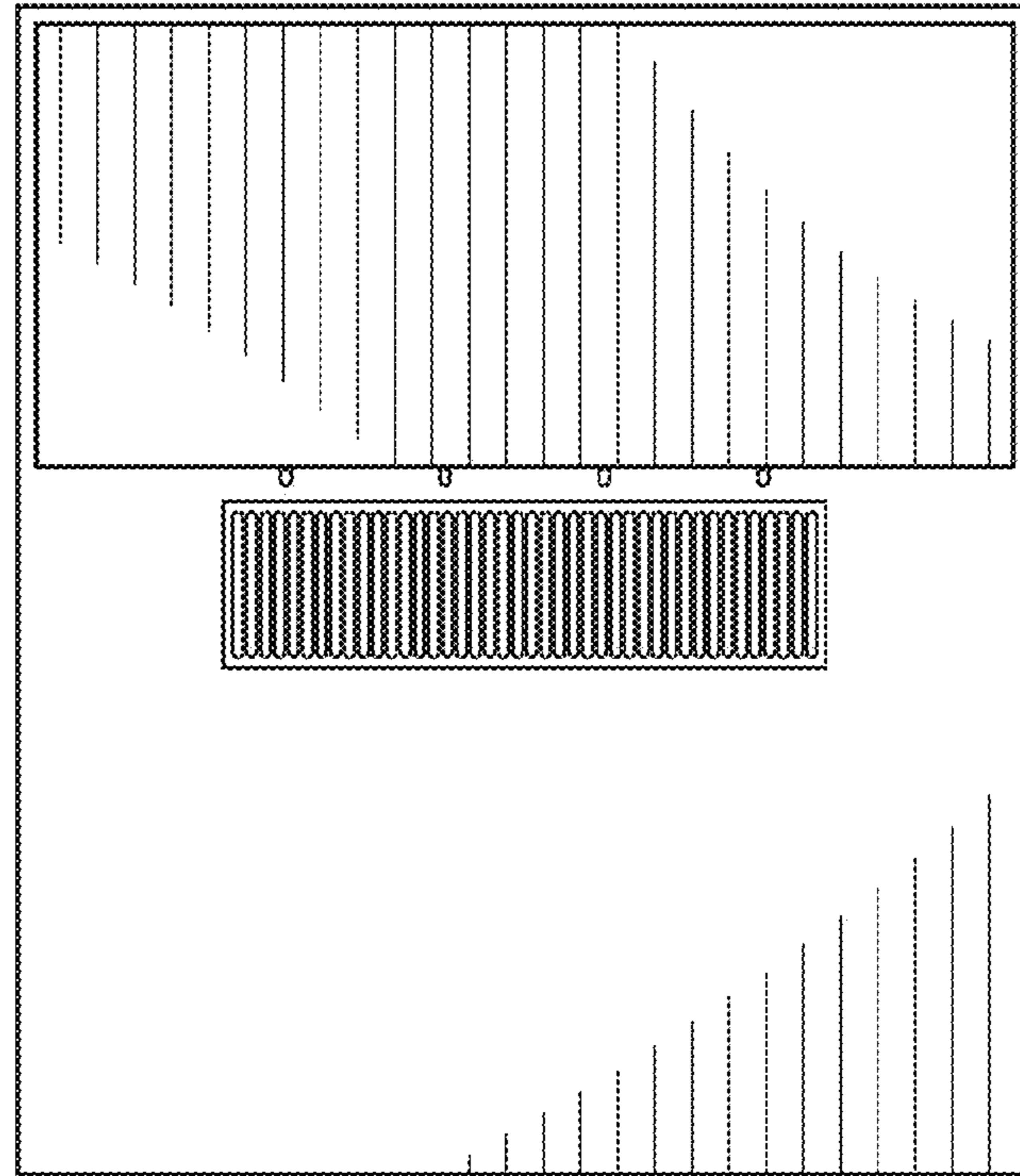


FIG. 6

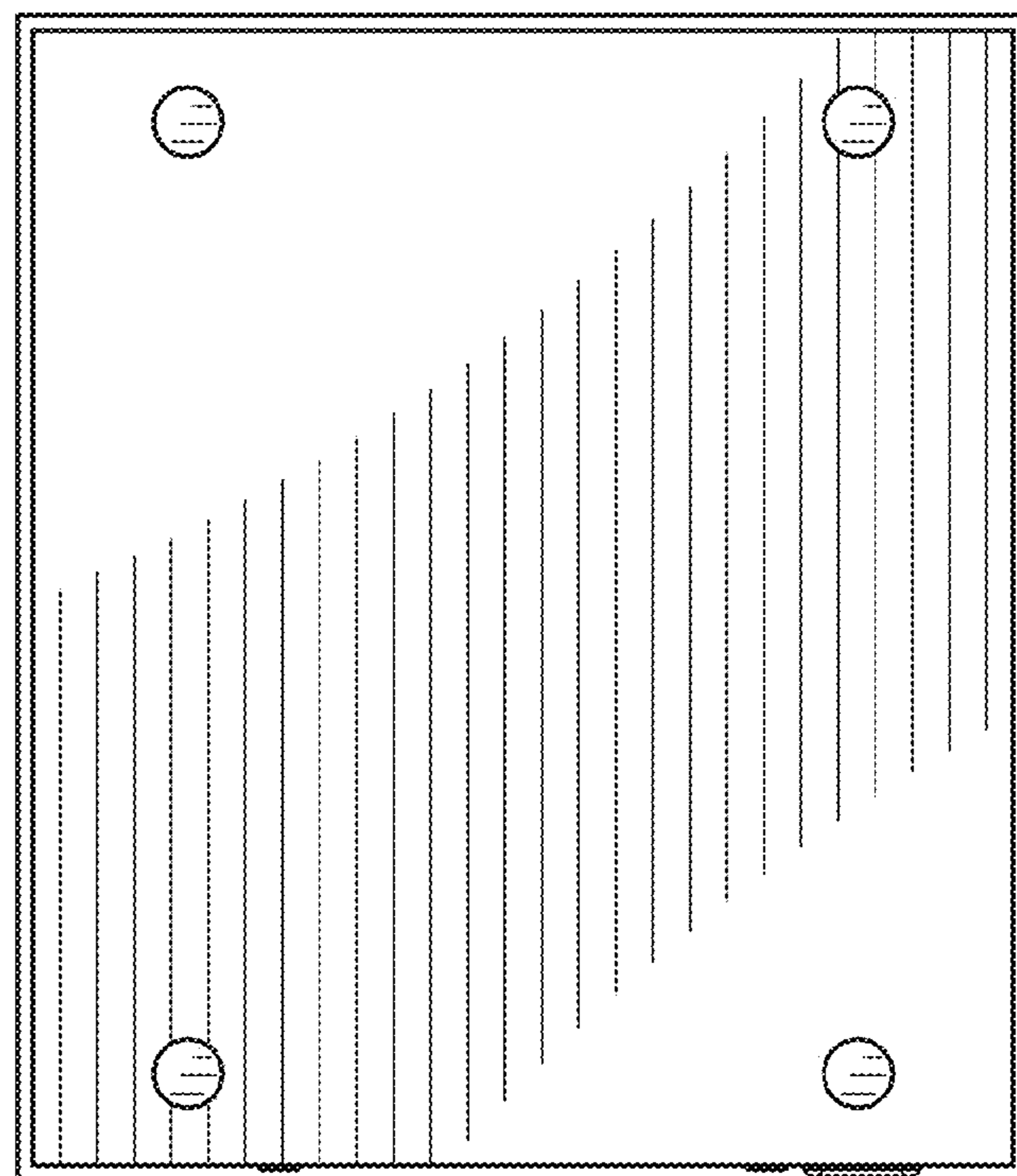


FIG. 7