



US00D688077S

(12) **United States Design Patent**
Schmitt

(10) **Patent No.:** **US D688,077 S**

(45) **Date of Patent:** **** Aug. 20, 2013**

(54) **FOOTBOARD**

(75) **Inventor:** **Jack Schmitt**, Mission Viejo, CA (US)

(73) **Assignee:** **Amini Innovation Corporation**, Pico Rivera, CA (US)

(**) **Term:** **14 Years**

(21) **Appl. No.:** **29/430,425**

(22) **Filed:** **Aug. 24, 2012**

(51) **LOC (9) Cl.** **06-06**

(52) **U.S. Cl.**
USPC **D6/718.13**

(58) **Field of Classification Search**
USPC D6/382-384, 392-395, 702, 718,
D6/718.13, 349, 355, 694, 699, 699.1; 5/53.1,
5/279.1, 280, 281, 907; 297/461, 462
See application file for complete search history.

(56) **References Cited**

U.S. PATENT DOCUMENTS

182,544 A	9/1876	Amaud	
1,087,573 A	2/1914	Dautrich	
D90,256 S	7/1933	McClure	
2,624,891 A	1/1953	Katzoff	
2,745,212 A	5/1956	Guzzino	
4,080,674 A	3/1978	Fredman et al.	
D248,697 S *	8/1978	Miller	D6/349
D333,927 S *	3/1993	Bello	D6/383
D367,369 S *	2/1996	Lovegrove et al.	D6/349
D389,663 S	1/1998	Paus	
D400,034 S	10/1998	Zaidman	
D402,833 S	12/1998	Hazen et al.	
D404,217 S	1/1999	Zaidman et al.	
D441,980 S	5/2001	McDaniel et al.	
D443,432 S	6/2001	Vaaler	
D443,445 S	6/2001	O'Hare et al.	
D443,446 S	6/2001	O'Hare et al.	
D445,284 S	7/2001	Chen	

D445,592 S	7/2001	O'Hare et al.
D449,939 S	11/2001	Vaaler
D450,198 S	11/2001	McDaniel et al.
D455,909 S	4/2002	Wistehuff, Sr.
D457,346 S	5/2002	O'Hare
D459,120 S	6/2002	Stanton
D460,288 S	7/2002	Vaaler
D463,157 S	9/2002	Lenger
D468,552 S	1/2003	O'Hare
D468,929 S	1/2003	Jones et al.
D470,329 S	2/2003	Vaaler
D470,330 S	2/2003	Vaaler
D470,331 S	2/2003	Stanton
D470,681 S	2/2003	O'Hare
D471,732 S	3/2003	Warren et al.
D472,068 S	3/2003	Risdon et al.
D473,063 S	4/2003	Pappas
D473,064 S	4/2003	O'Hare
D474,917 S	5/2003	Risdon
D474,918 S	5/2003	Tobin, Jr.

(Continued)

OTHER PUBLICATIONS

America's Oak Furniture, Schiffer, 1988, Bed, p. 90.

(Continued)

Primary Examiner — Janice Seeger

(74) *Attorney, Agent, or Firm* — Cisló & Thomas, LLP

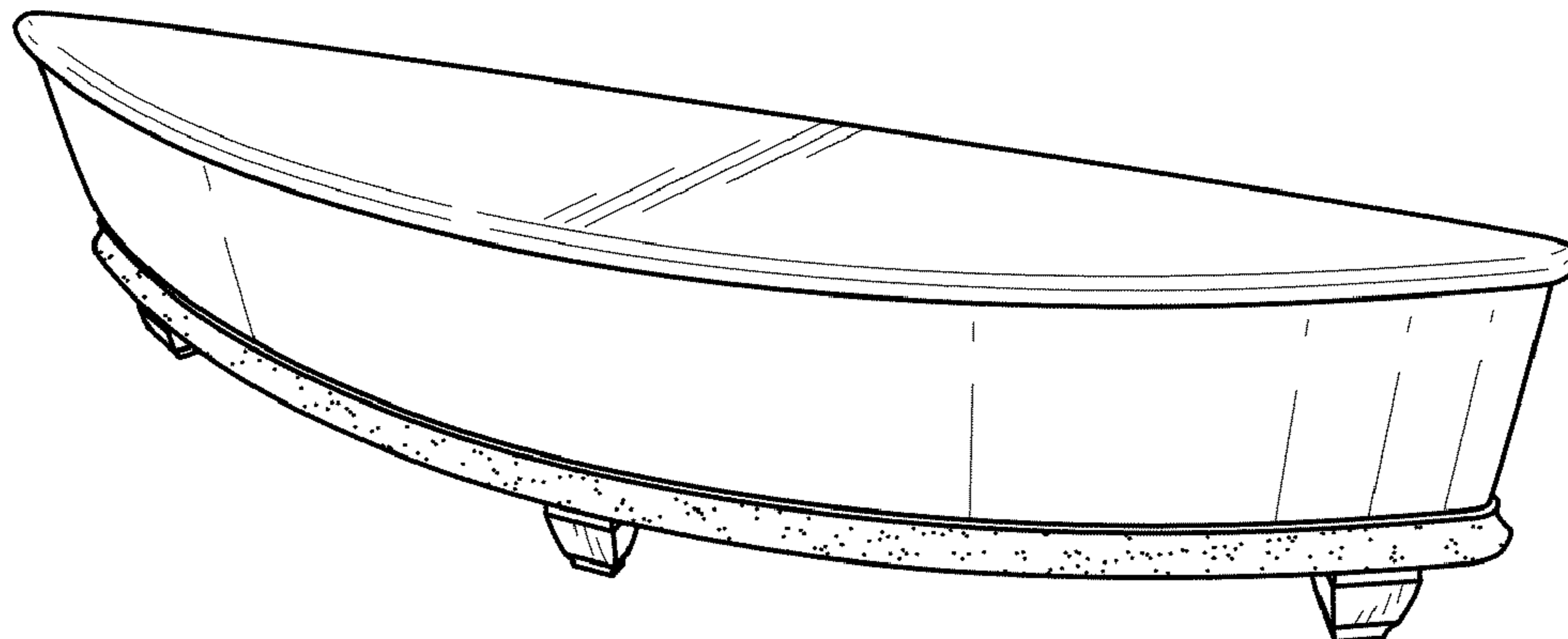
(57) **CLAIM**

I claim the ornamental design for a footboard, as shown and described.

DESCRIPTION

FIG. 1 is a perspective view of my footboard;
FIG. 2 is a top view thereof;
FIG. 3 is a front view thereof; and,
FIG. 4 is a right side view of my footboard, the left side (not shown) is a mirror image thereof.

1 Claim, 2 Drawing Sheets



(56)

References Cited

U.S. PATENT DOCUMENTS

D475,218 S 6/2003 Schmitt
 D475,224 S 6/2003 Paus
 D475,862 S 6/2003 McDaniel et al.
 D484,329 S 12/2003 Risdon et al.
 D487,199 S 3/2004 Schmitt
 D487,363 S 3/2004 Schmitt
 D493,976 S 8/2004 Bergelin
 D497,749 S 11/2004 Mohundro
 D499,910 S 12/2004 Mohundro
 D499,912 S 12/2004 Mohundro
 D508,626 S 8/2005 Schmitt
 D518,321 S 4/2006 Schmitt
 D518,660 S 4/2006 Domack et al.
 D519,308 S 4/2006 Schmitt
 D527,925 S 9/2006 Domack et al.
 D528,834 S 9/2006 Schmitt
 D531,841 S 11/2006 Schmitt
 D531,842 S 11/2006 Schmitt
 D535,135 S 1/2007 Schmitt
 D535,136 S 1/2007 Schmitt
 D535,507 S 1/2007 Schmitt
 D535,508 S 1/2007 Schmitt
 D536,558 S 2/2007 Schmitt
 D536,913 S 2/2007 Schmitt
 D536,914 S 2/2007 Schmitt
 D538,087 S 3/2007 Schmitt
 D543,050 S 5/2007 Mohundro

D554,398 S 11/2007 Donner
 D561,505 S 2/2008 Schmitt et al.
 D562,601 S 2/2008 Schmitt et al.
 D564,777 S 3/2008 Mohundro
 D566,999 S 4/2008 Thompson
 D570,627 S 6/2008 Thompson
 D572,052 S 7/2008 Schmitt
 D575,076 S 8/2008 Bacon et al.
 D585,679 S 2/2009 Domack et al.
 D593,781 S 6/2009 Schmitt
 D601,832 S 10/2009 Schmitt

OTHER PUBLICATIONS

Furniture Today, Genoa Collection Bed, p. 14, Oct. 11, 1999.
 Furniture Today, Source Mktg. Bed, p. 192, Oct. 14, 2002.
 Amini Innovation Corp., Monte Carlo Collection, #53000 Series, 2001, 1 page.
 Amini Innovation Corp., La Francaise Collection, #50000 Series, Sep. 11, 2002, 3 pages.
 Amini Innovation Corp., Royal Oak Collection, #31000 Series, Sep. 11, 2002, 1 page.
 Amini Innovation Corp., Torino Collection, #56000 Series, Apr. 18, 2002, 1 page.
 Ethan Allen circular, Legacy Collection Iron Hoop Bed, p. 5, 1996.
 Amini Innovation Corp., Paradisio Collection, #52000 Series, 2003, 1 page.
 Amini Innovation Corp., Trevi Collection, Sep. 20, 2004, 2 pages.

* cited by examiner

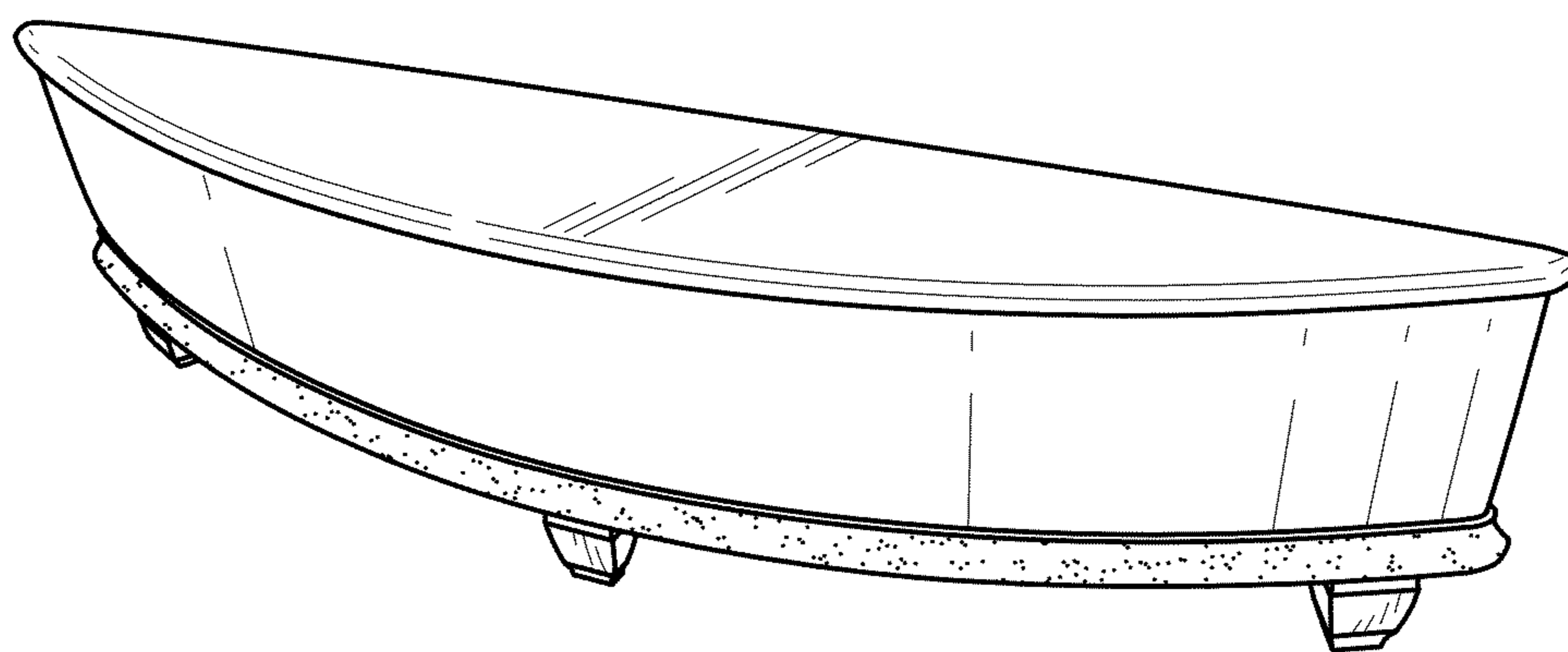


FIG. 1

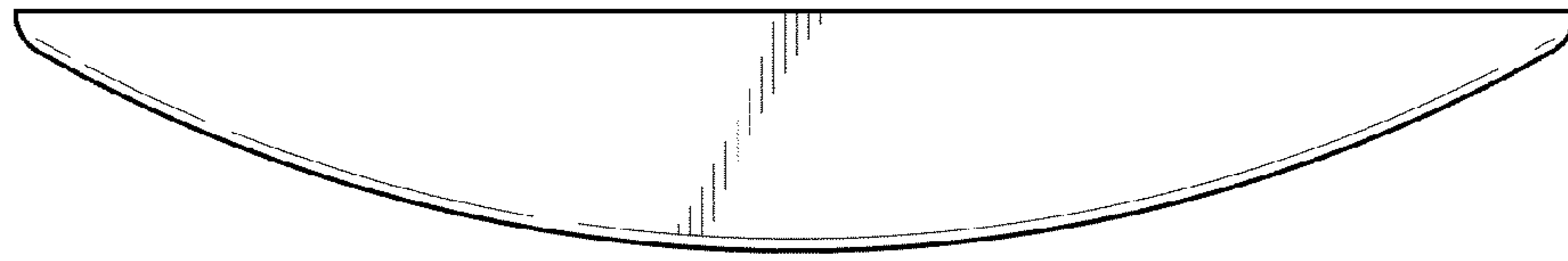


FIG. 2

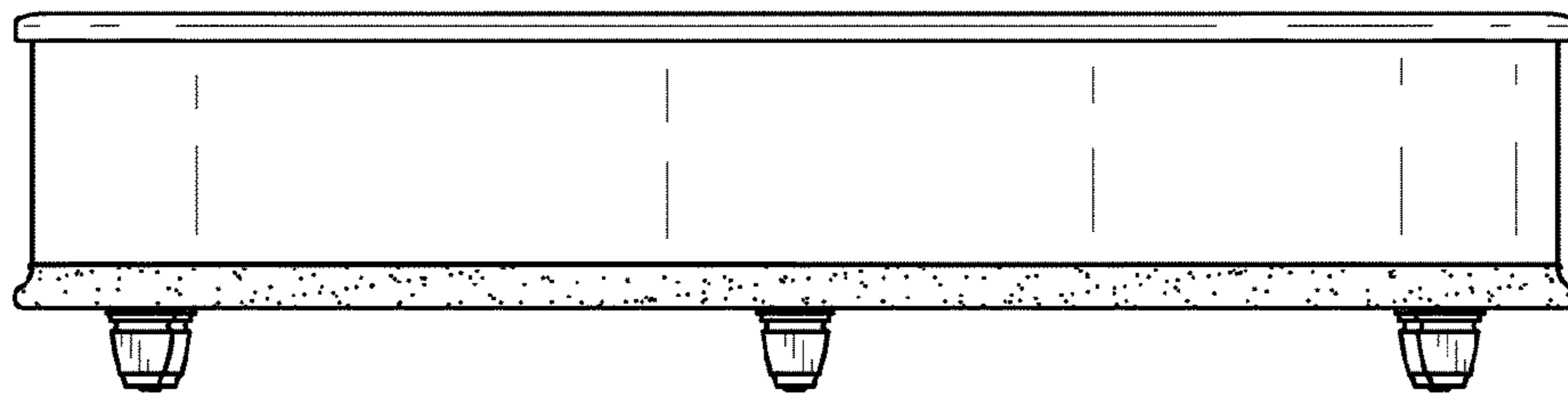


FIG. 3

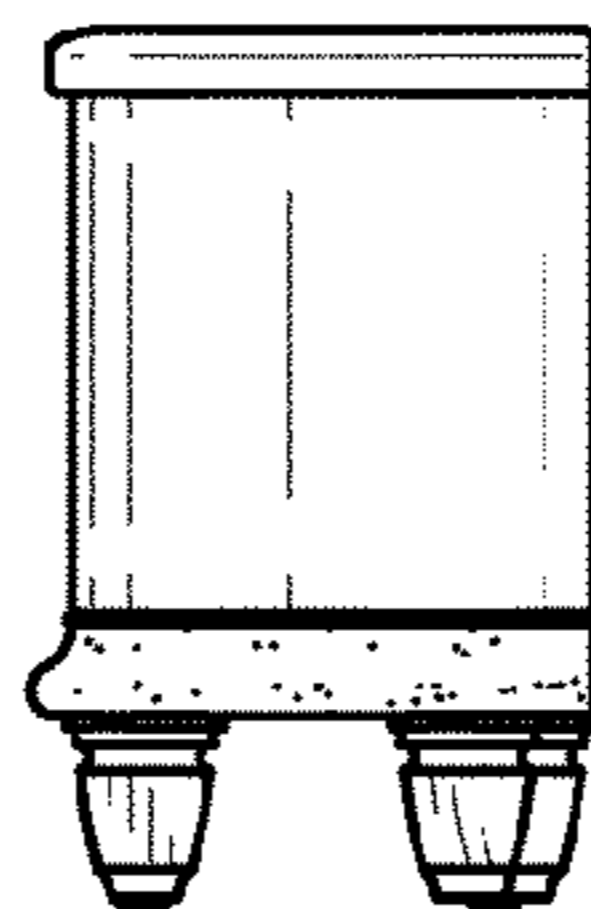


FIG. 4