



US00D688076S

(12) **United States Design Patent**
Lee

(10) **Patent No.:** **US D688,076 S**

(45) **Date of Patent:** **** Aug. 20, 2013**

(54) **BENCH BACK**

(76) Inventor: **Lawrence K. Lee**, Houston, TX (US)

(**) Term: **14 Years**

(21) Appl. No.: **29/419,135**

(22) Filed: **Apr. 25, 2012**

(51) **LOC (9) Cl.** **06-01**

(52) **U.S. Cl.**
USPC **D6/716.4; D6/366**

(58) **Field of Classification Search**
USPC D6/334-336, 358, 369, 370, 374,
D6/376, 379, 380, 381, 716, 716.1, 716.2,
D6/716.3, 716.4; 297/181, 232, 451.9, 452.18,
297/452.63, 452.64

See application file for complete search history.

(56) **References Cited**

U.S. PATENT DOCUMENTS

D68,027 S *	8/1925	Wurdack	D6/370
D109,239 S *	4/1938	Wolpin	D6/370
D114,478 S *	4/1939	Terker	D6/370
D334,299 S *	3/1993	Embree	D6/379
D420,824 S *	2/2000	Lin	D6/370
D457,741 S *	5/2002	Slear	D6/370
D466,318 S *	12/2002	Arnold	D6/370
D469,620 S *	2/2003	Jackson	D6/370
D474,618 S *	5/2003	Arnold et al.	D6/370

6,644,750 B1 *	11/2003	Sandman et al.	297/452.63
D577,520 S *	9/2008	Lee	D6/716.4
D658,411 S *	5/2012	Lee	D6/716.4

* cited by examiner

Primary Examiner — Mimoso De

(74) *Attorney, Agent, or Firm* — Egbert Law Offices, PLLC

(57) **CLAIM**

The ornamental design for a bench back, as shown and described.

DESCRIPTION

FIG. 1 is a perspective view of a first embodiment of the bench back showing my design.

FIG. 2 is a front view thereof;

FIG. 3 is a back view thereof;

FIG. 4 is a side view thereof;

FIG. 5 is an opposite side view thereof;

FIG. 6 is a top view thereof;

FIG. 7 is a bottom view thereof;

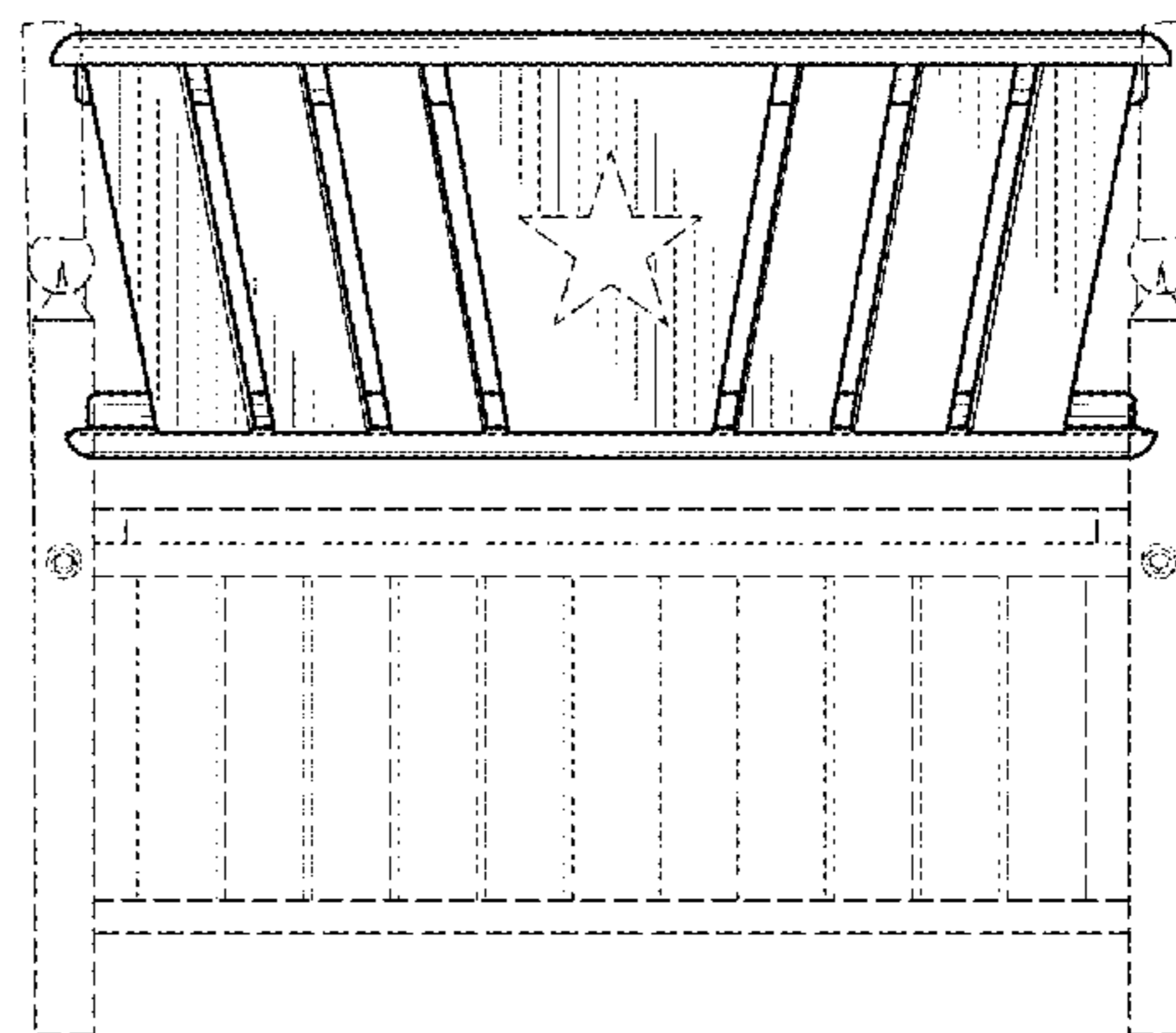
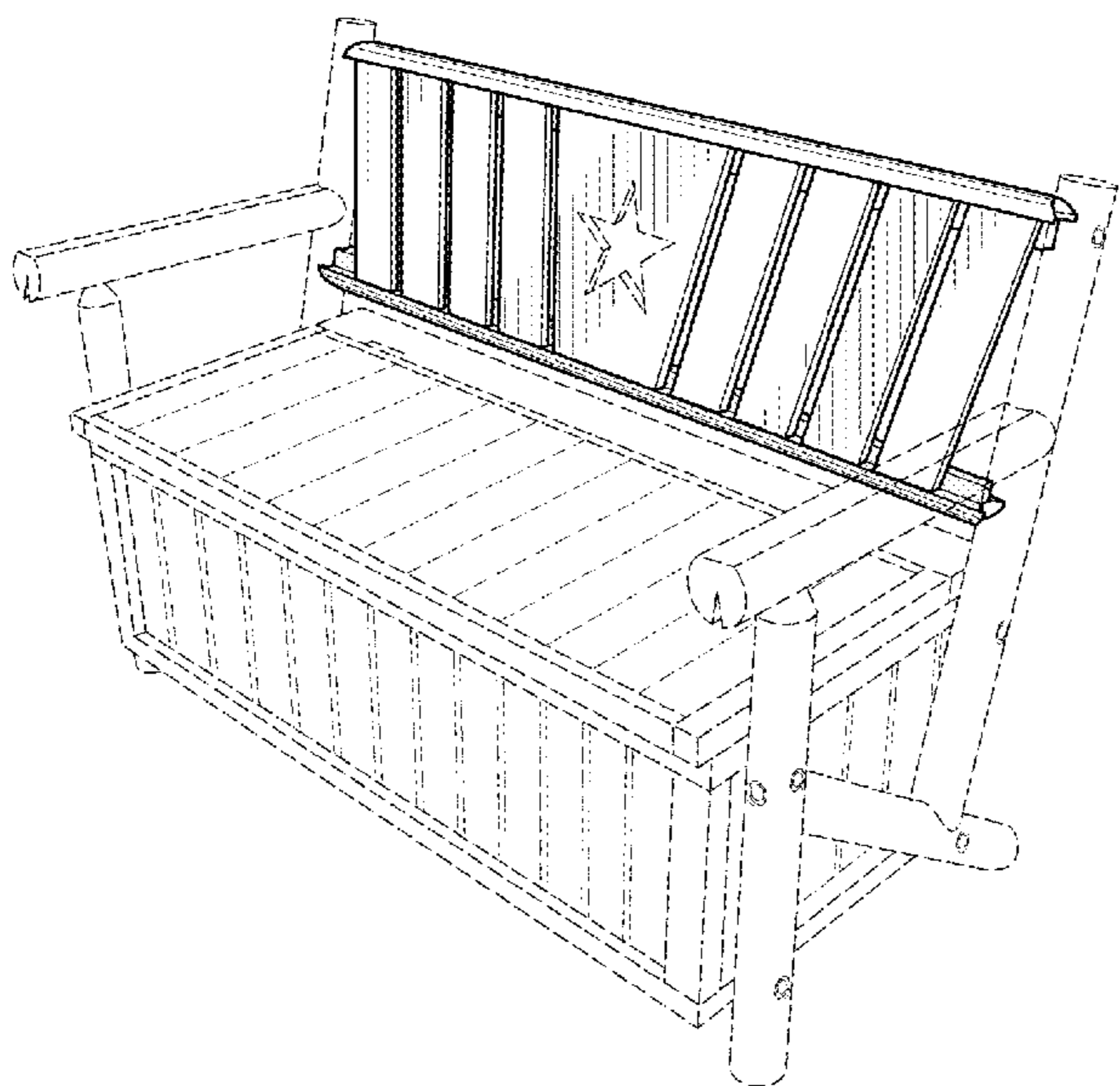
FIG. 8 is a front view of a second embodiment of the bench back having seven slats;

FIG. 9 is a front view of a third embodiment of the bench back having five slats; and,

FIG. 10 is a front view of a fourth embodiment of the bench back having three slats.

The features presented in broken lines are for environmental purposes only and form no part of the claimed design.

1 Claim, 4 Drawing Sheets



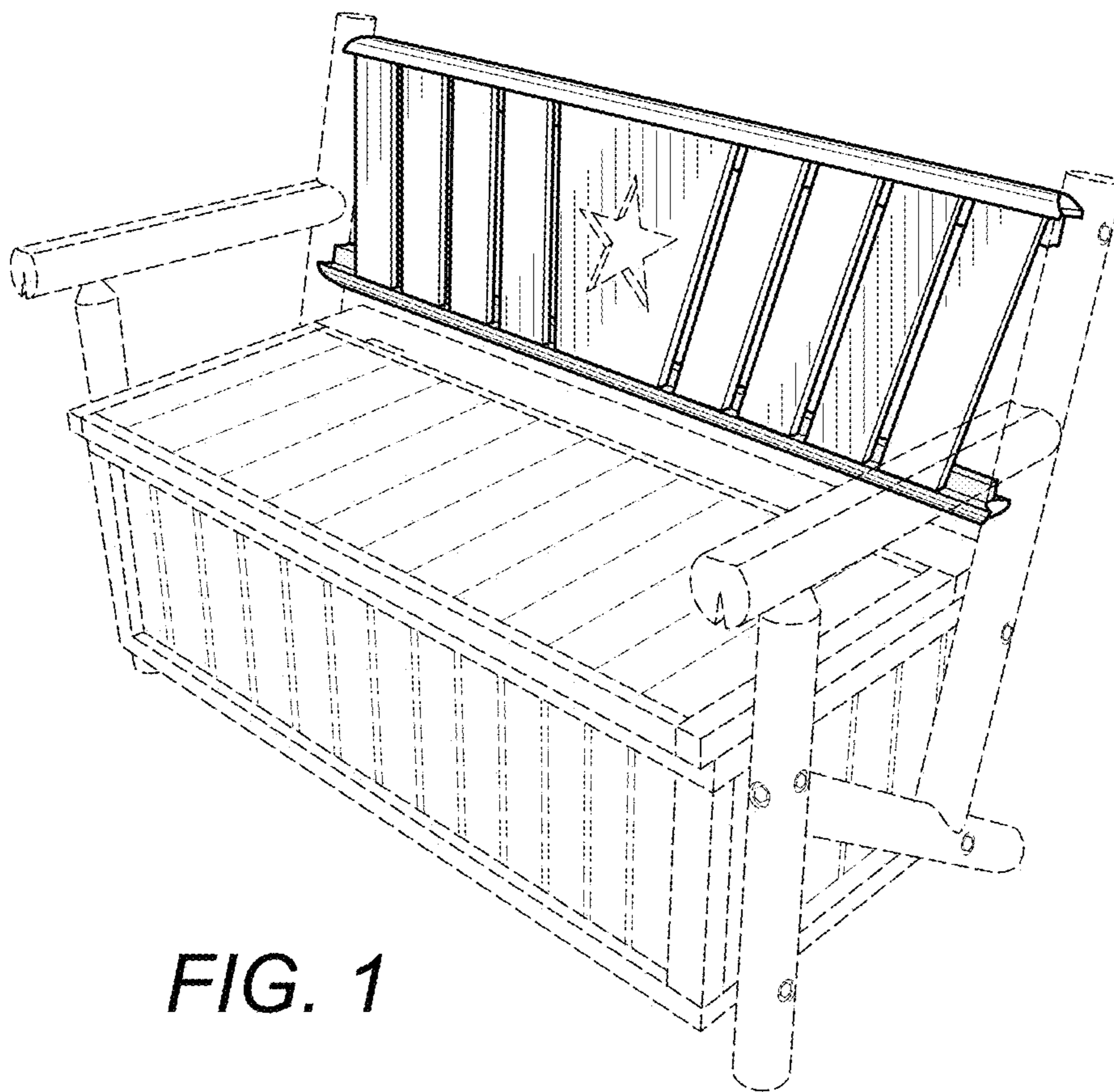


FIG. 1

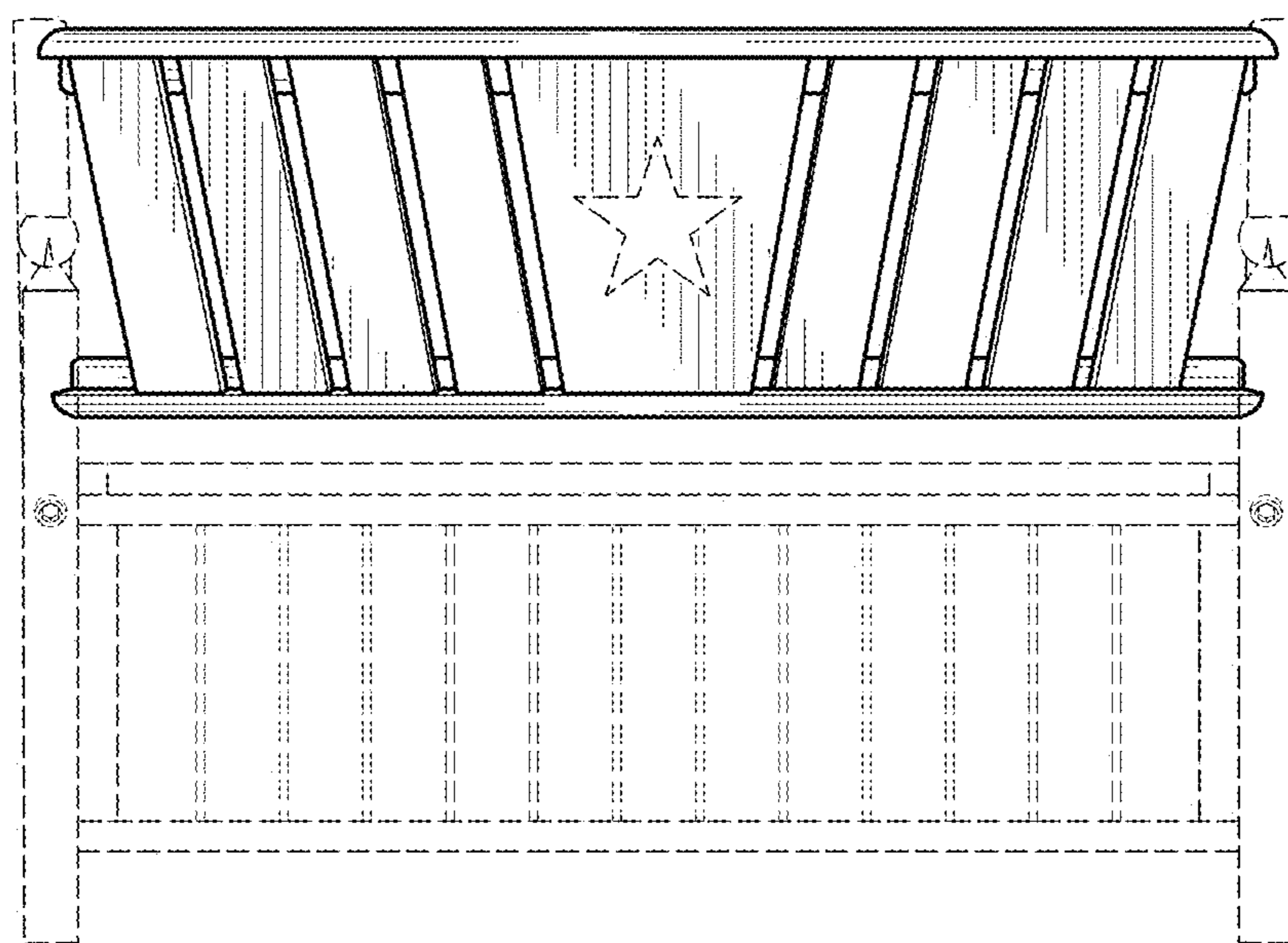


FIG. 2

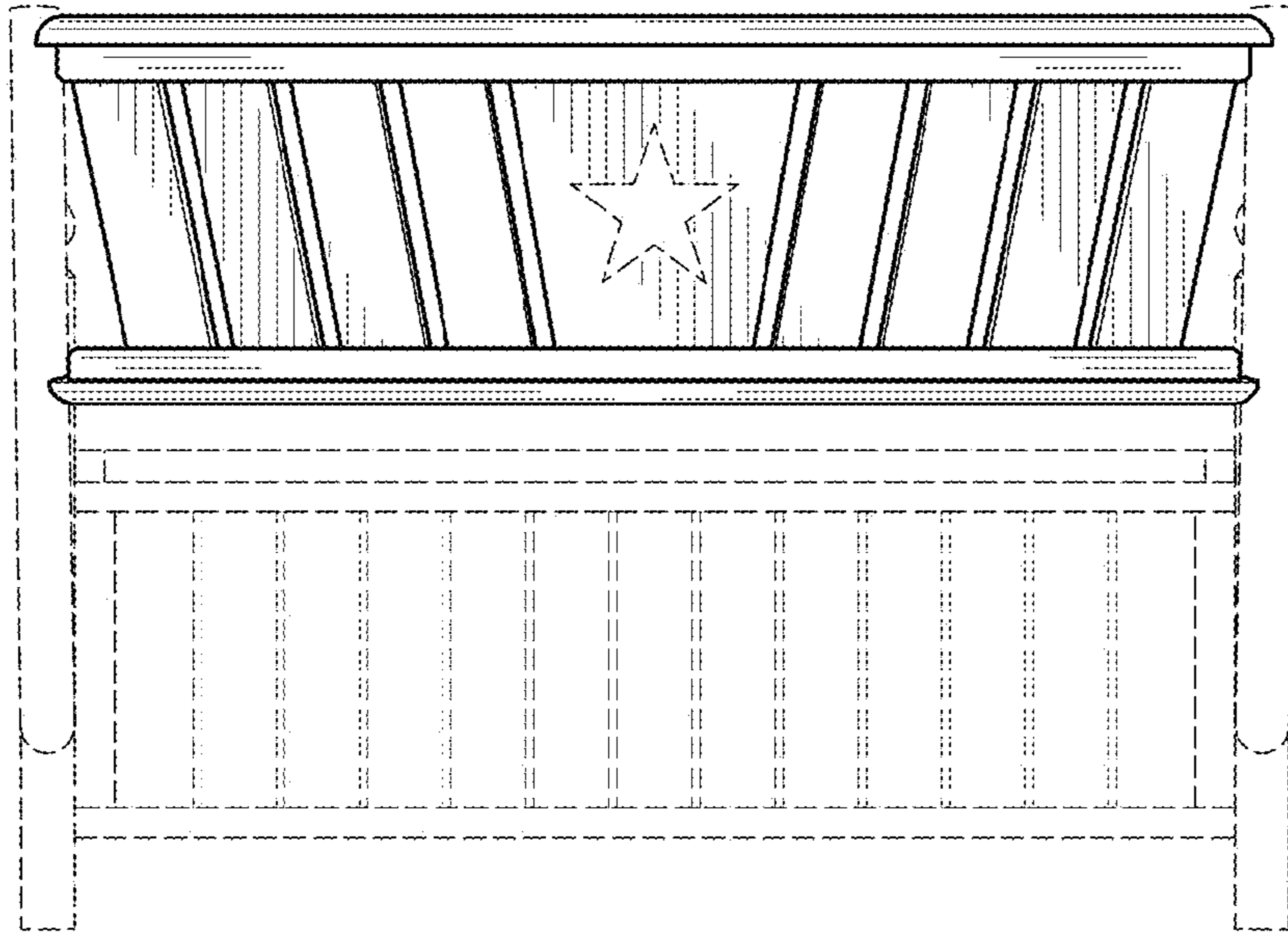


FIG. 3

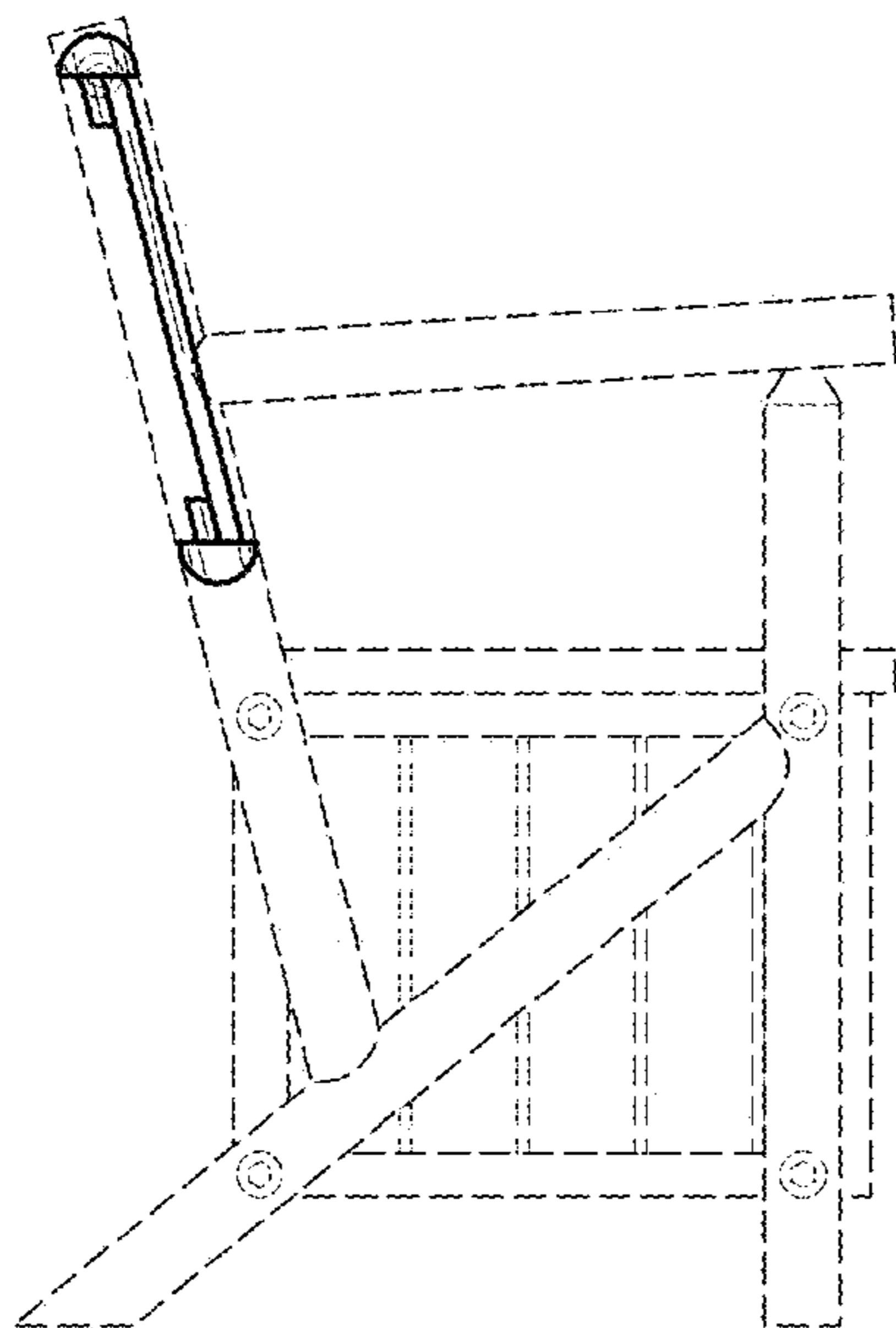


FIG. 4

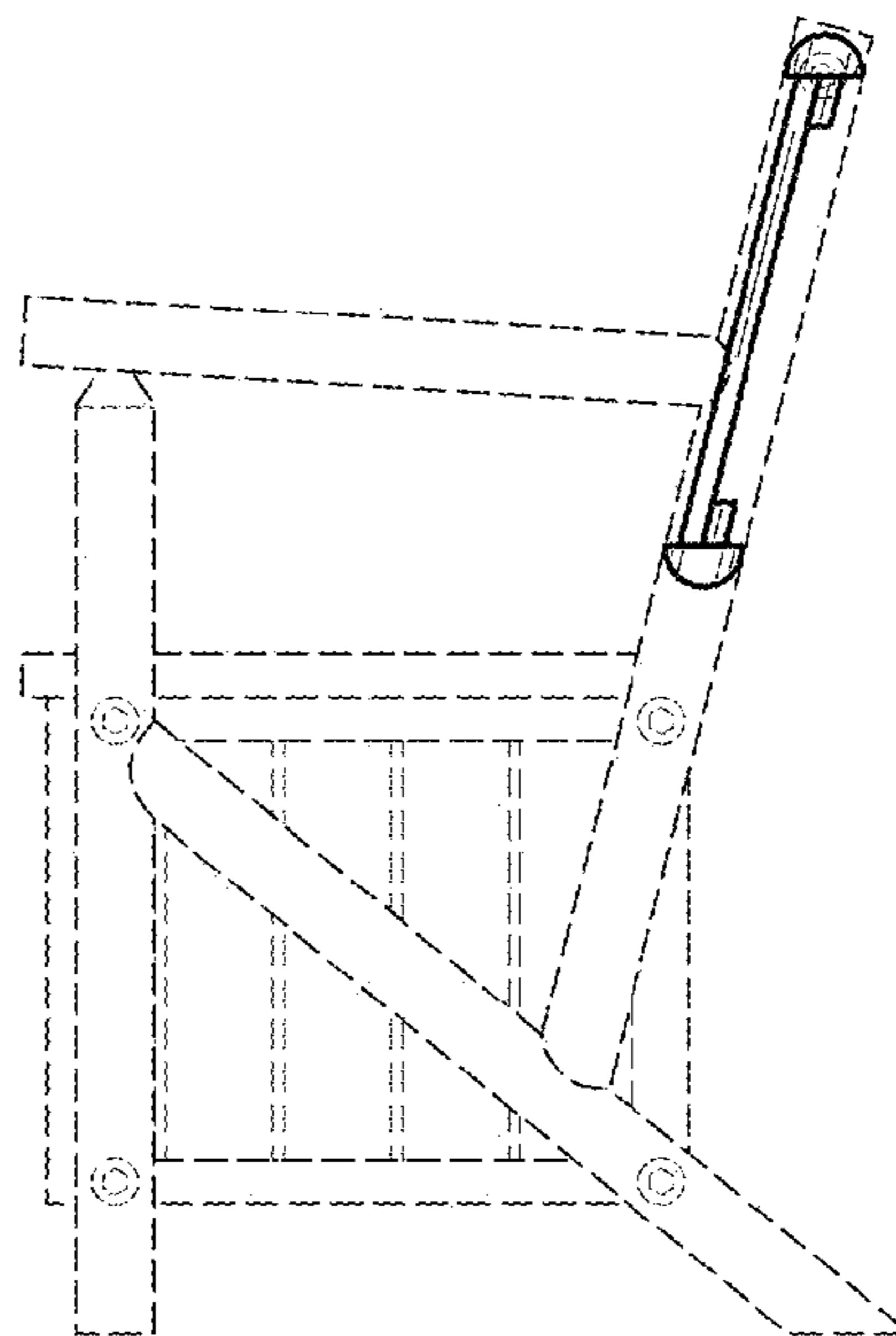


FIG. 5

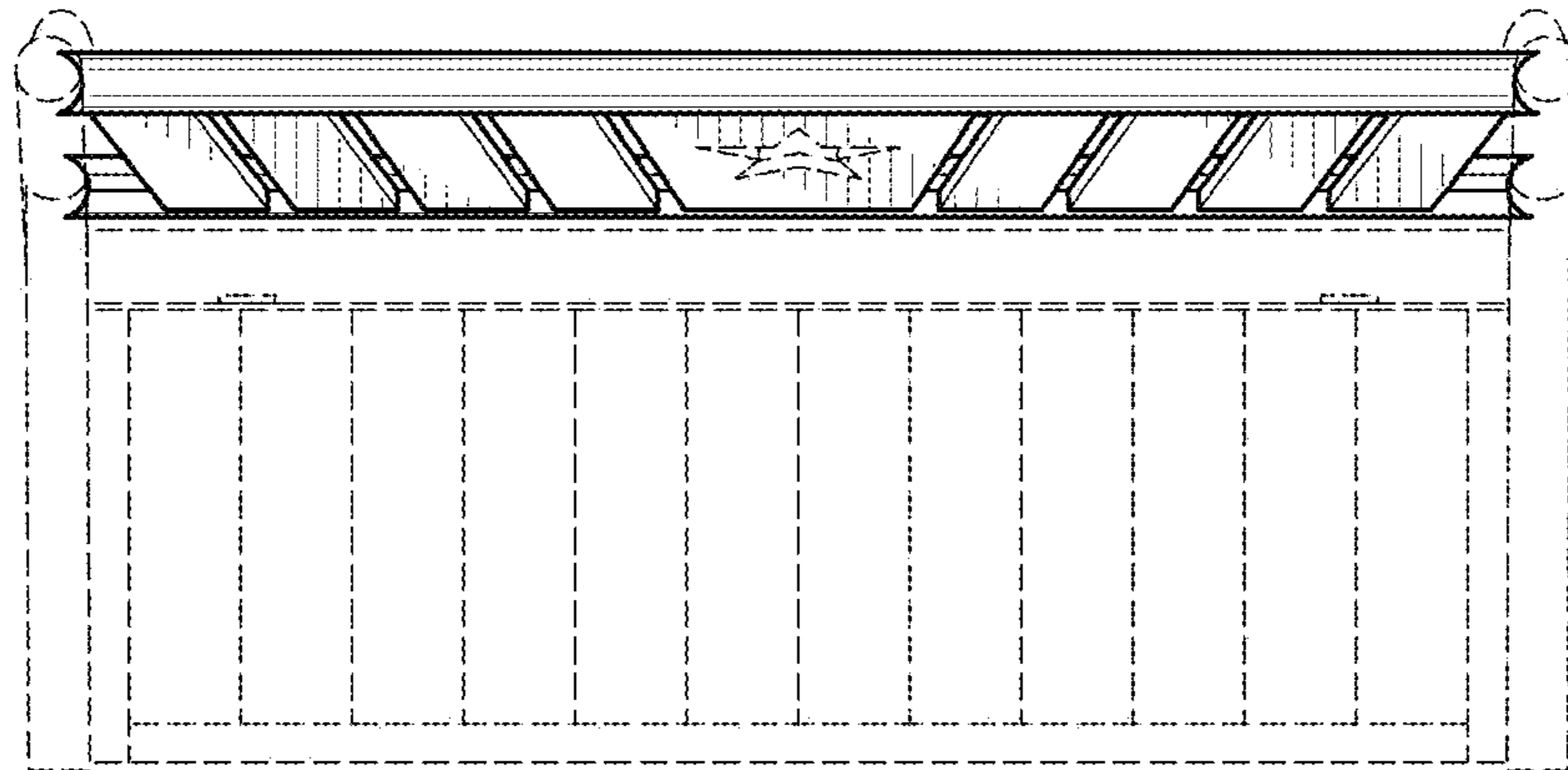


FIG. 6

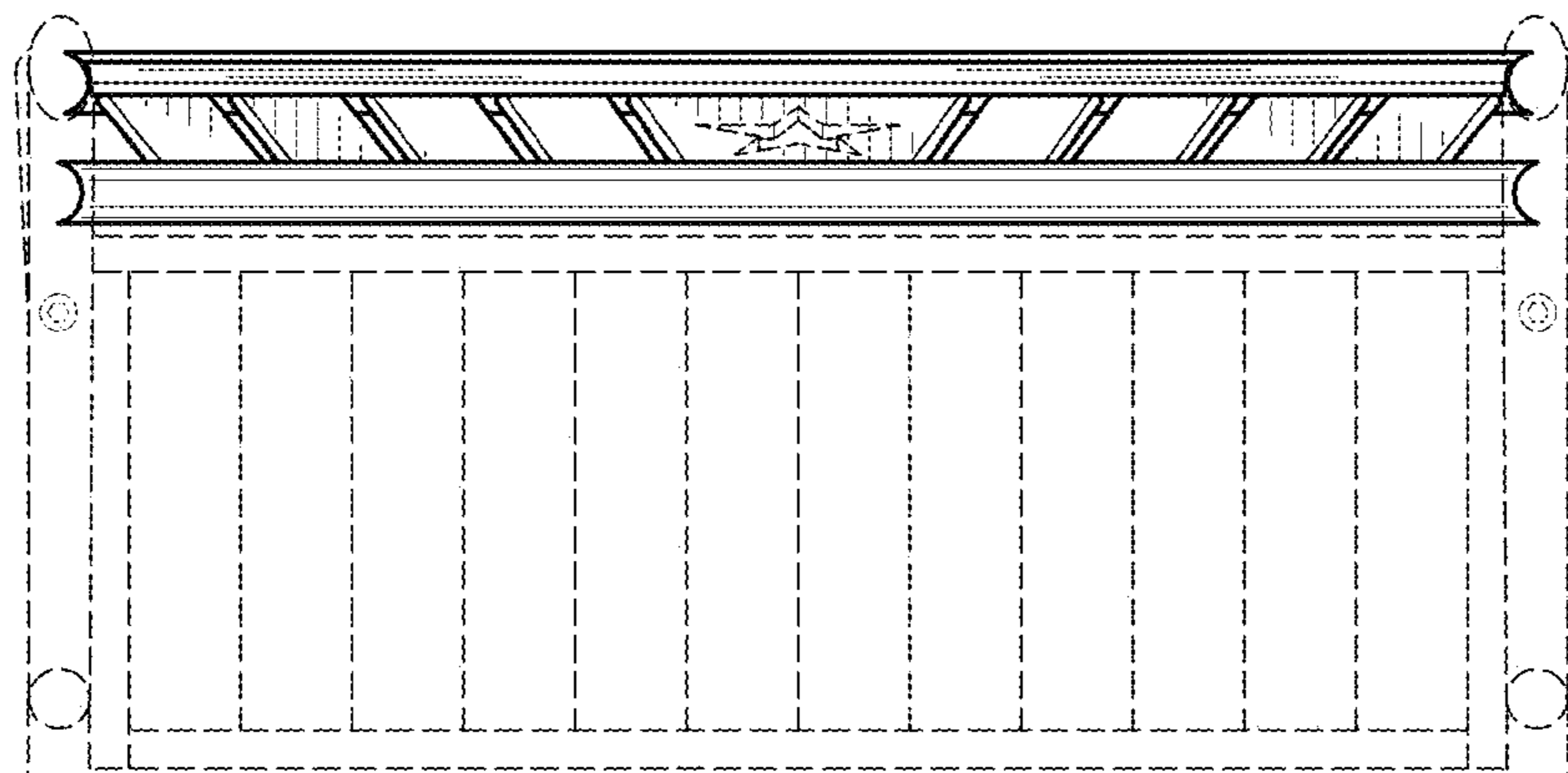


FIG. 7

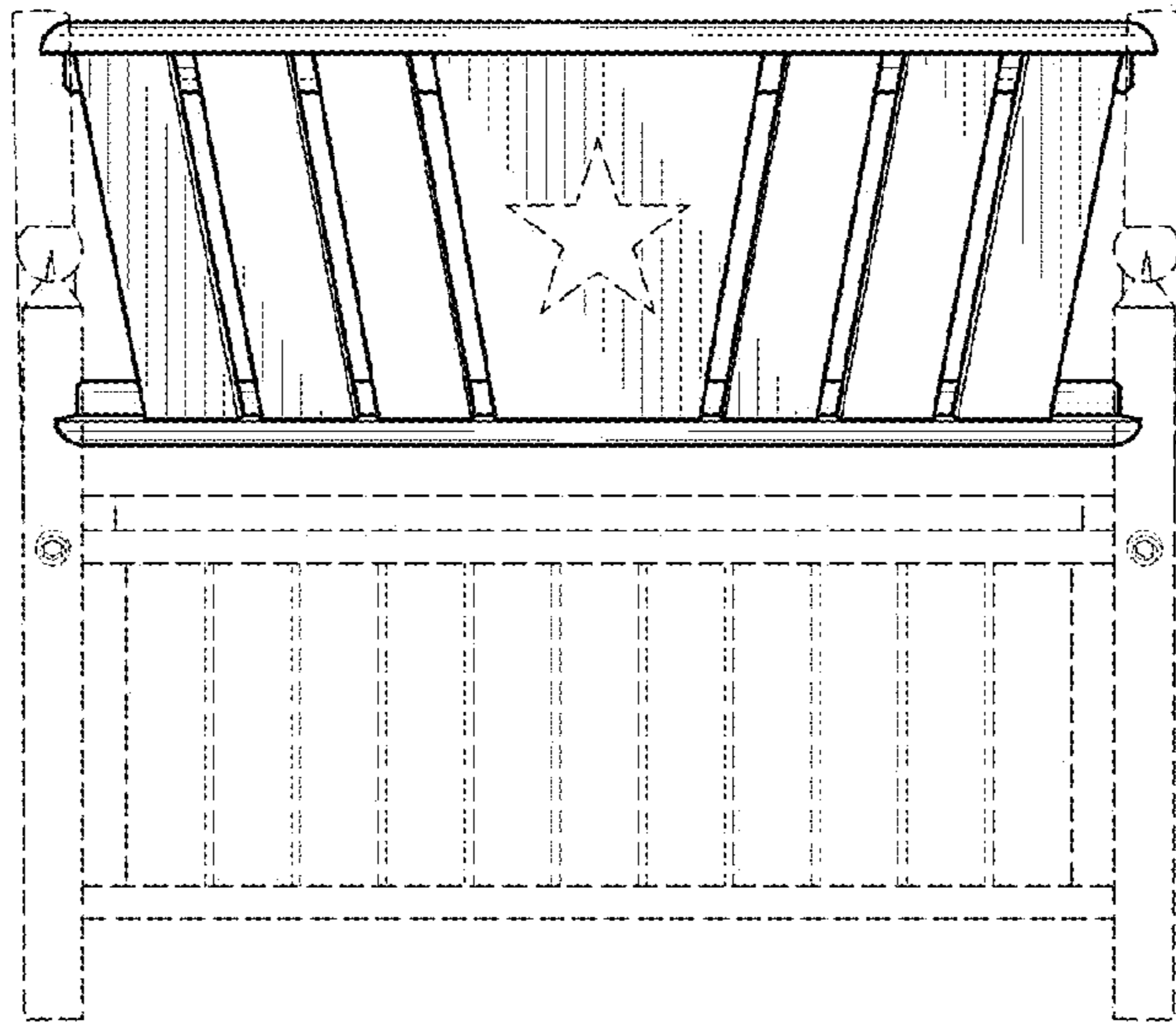


FIG. 8

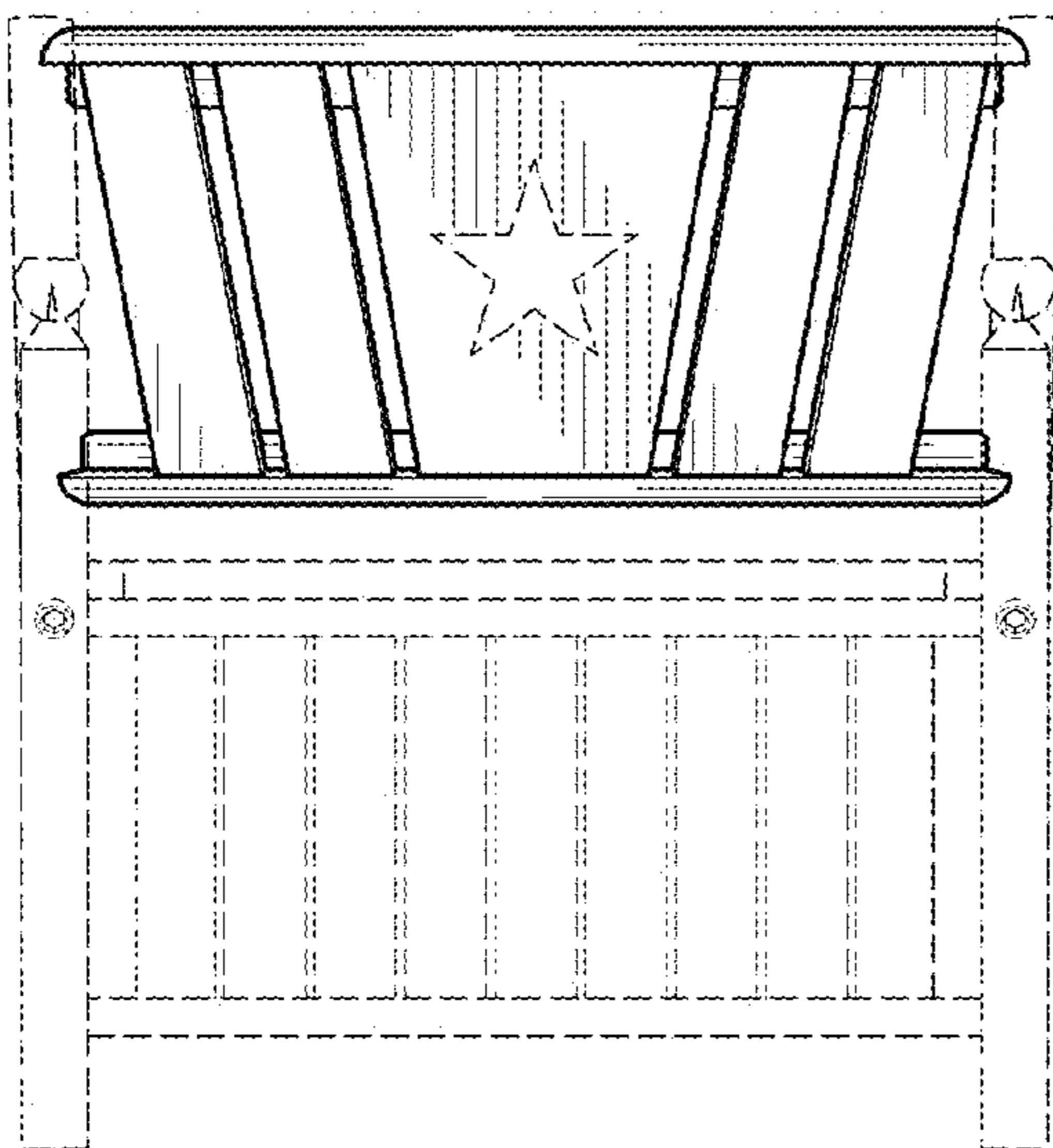


FIG. 9

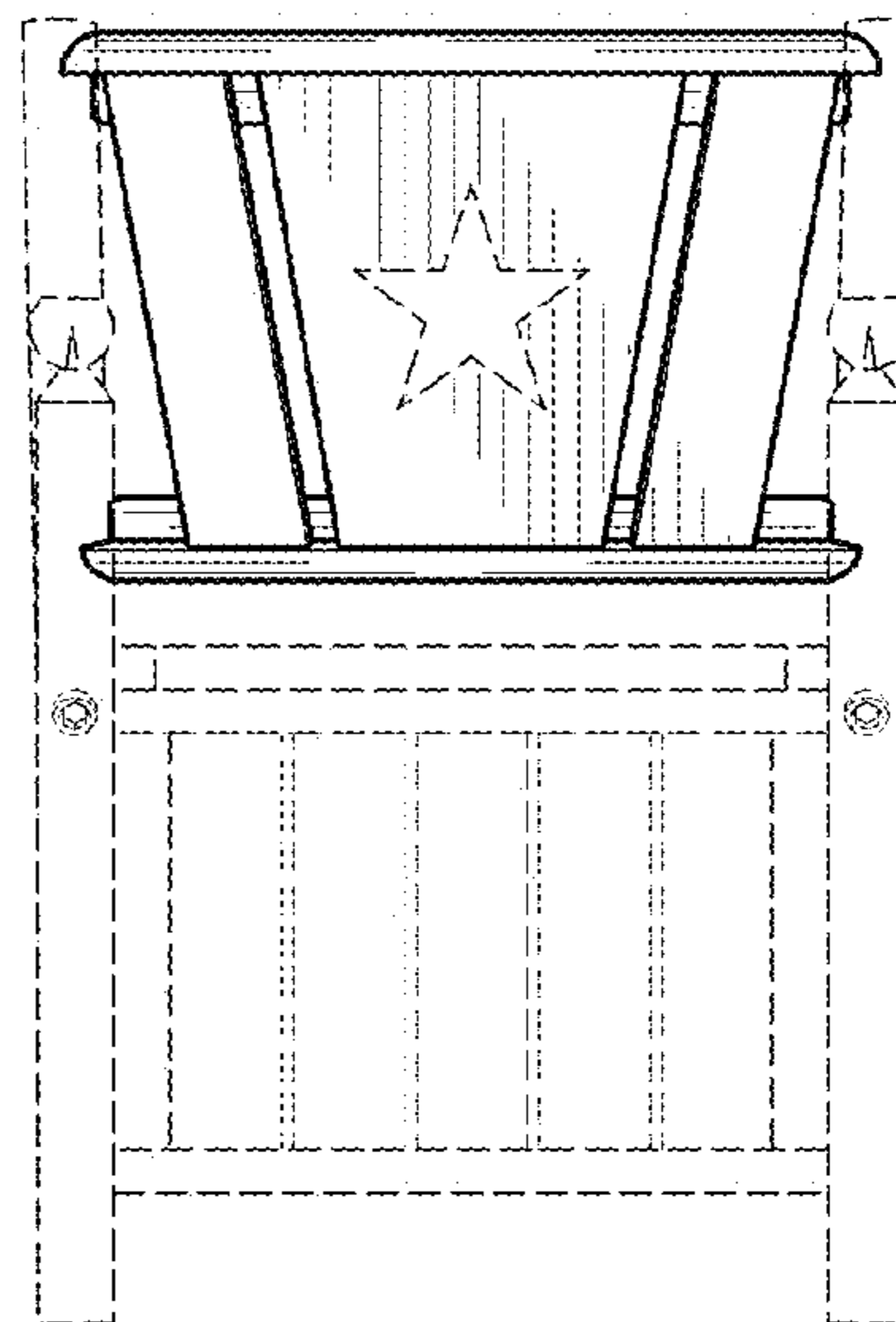


FIG. 10