



US00D688075S

(12) **United States Design Patent**
Lucci

(10) **Patent No.:** **US D688,075 S**

(45) **Date of Patent:** **** Aug. 20, 2013**

(54) **TABLE LEGS**

(75) Inventor: **Roberto Lucci**, Como (IT)

(73) Assignee: **Ditto Sales, Inc./Versteel**, Jasper, IN (US)

(**) Term: **14 Years**

(21) Appl. No.: **29/424,236**

(22) Filed: **Jun. 8, 2012**

(51) **LOC (9) Cl.** **06-06**

(52) **U.S. Cl.**
USPC **D6/709.2**

(58) **Field of Classification Search**
USPC D6/691, 691.3, 691.8, 656, 656.16,
D6/656.13, 709, 709.2, 709.21; 108/153.1,
108/156, 161, 50.01, 50.02, 118, 172; 248/188,
248/188.1, 188.7
See application file for complete search history.

(56) **References Cited**

U.S. PATENT DOCUMENTS

- D183,555 S * 9/1958 Close D6/495
- D342,403 S * 12/1993 Magnusson D6/499
- D367,192 S * 2/1996 Frattini D6/487

D506,091 S * 6/2005 Cioncada D6/480

* cited by examiner

Primary Examiner — Janice Seeger

(74) *Attorney, Agent, or Firm* — Maginot, Moore & Beck LLP

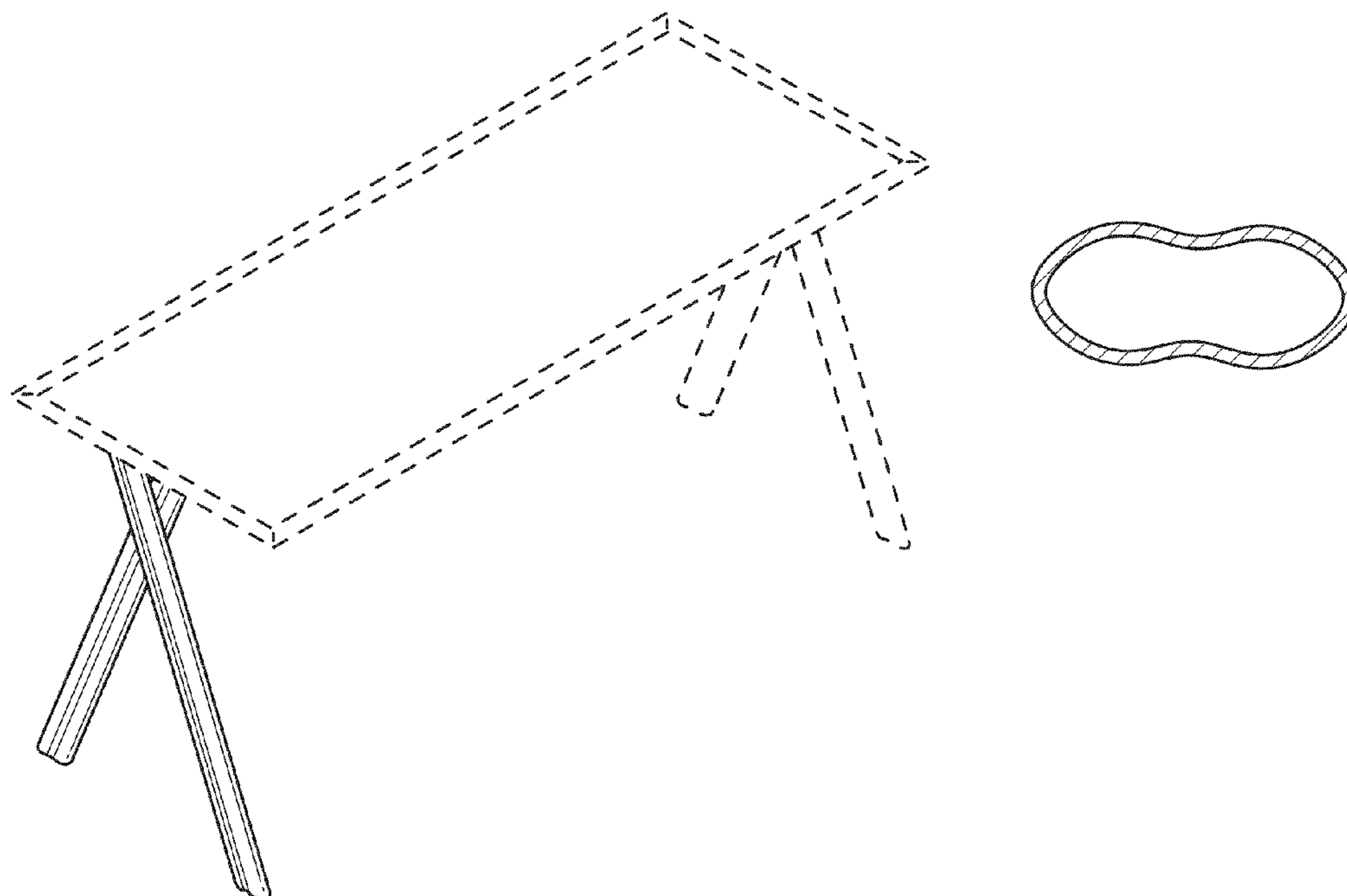
(57) **CLAIM**

The ornamental design for table legs, as shown and described.

DESCRIPTION

FIG. 1 is a front elevational view of a design for table legs.
 FIG. 2 is a side elevational view of the design shown in FIG. 1;
 FIG. 3 is a top elevational view of the design shown in FIG. 1;
 FIG. 4 is a bottom elevational view of the design shown in FIG. 1.
 FIG. 5 is a perspective view of a table incorporating the table legs of the present design in which the table components shown in broken lines are environmental structure for illustrative purposes only and form no part of the claimed design; and,
 FIG. 6 is an enlarged top view of the contour of one of the legs in greater detail.

1 Claim, 1 Drawing Sheet



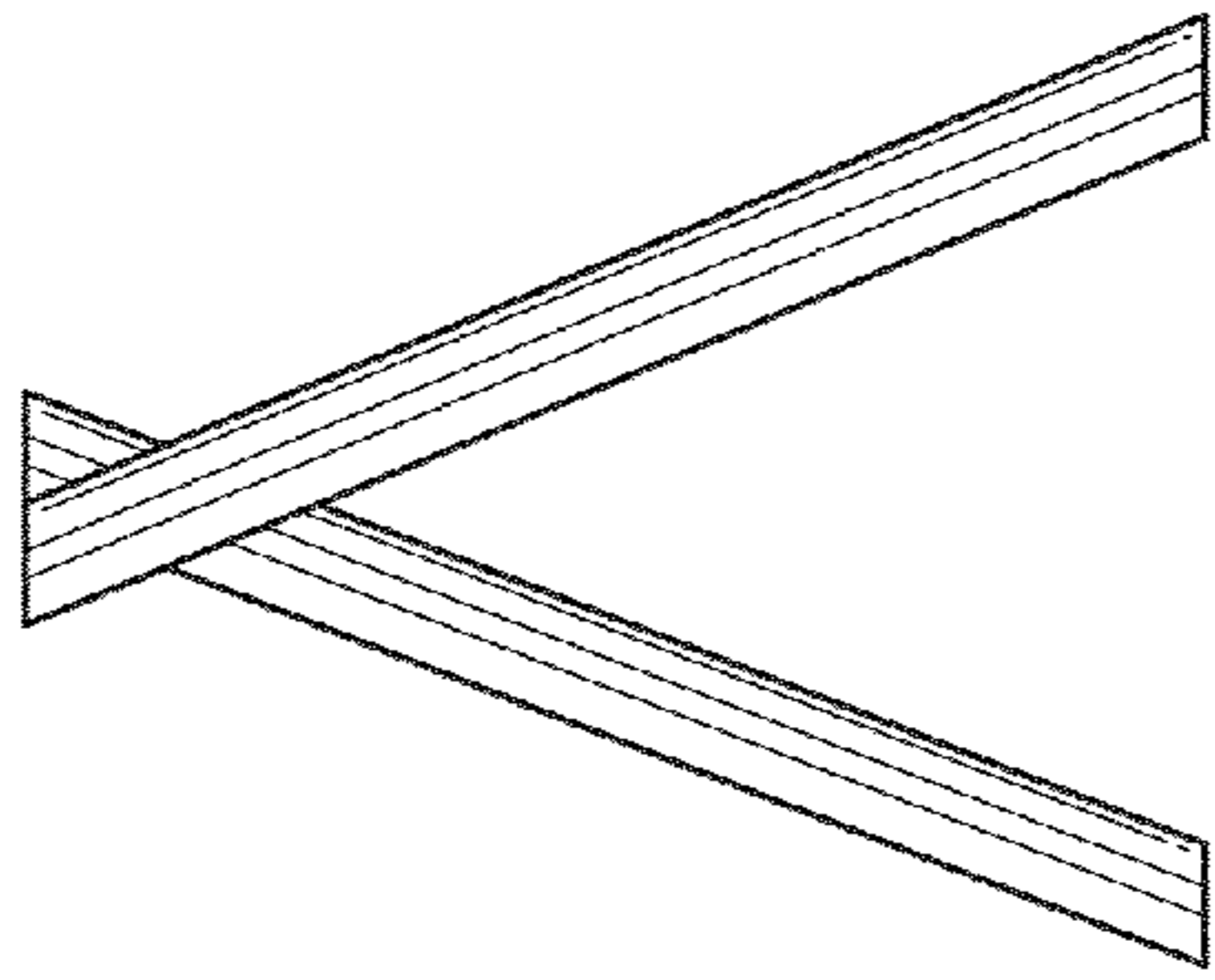


FIG. 1



FIG. 2

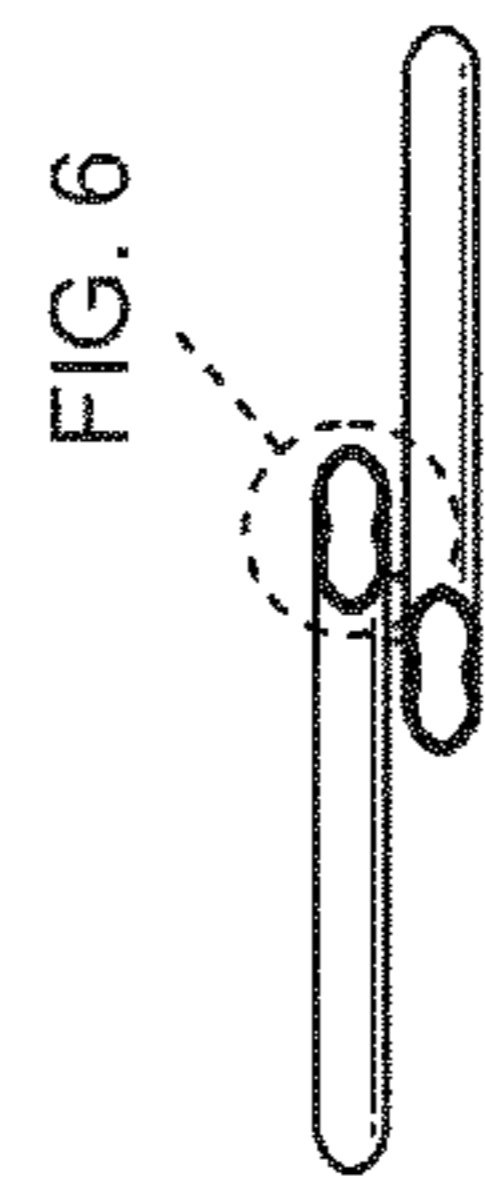


FIG. 3

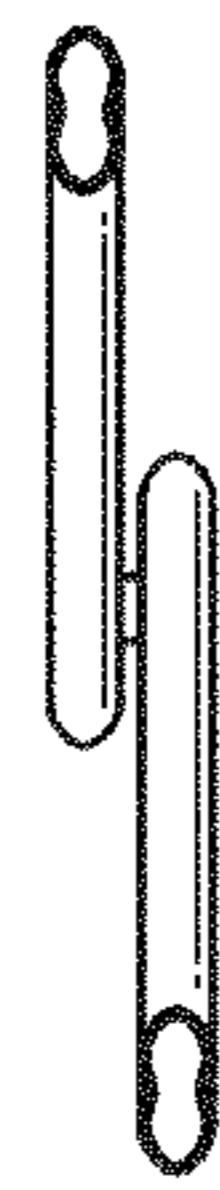


FIG. 4

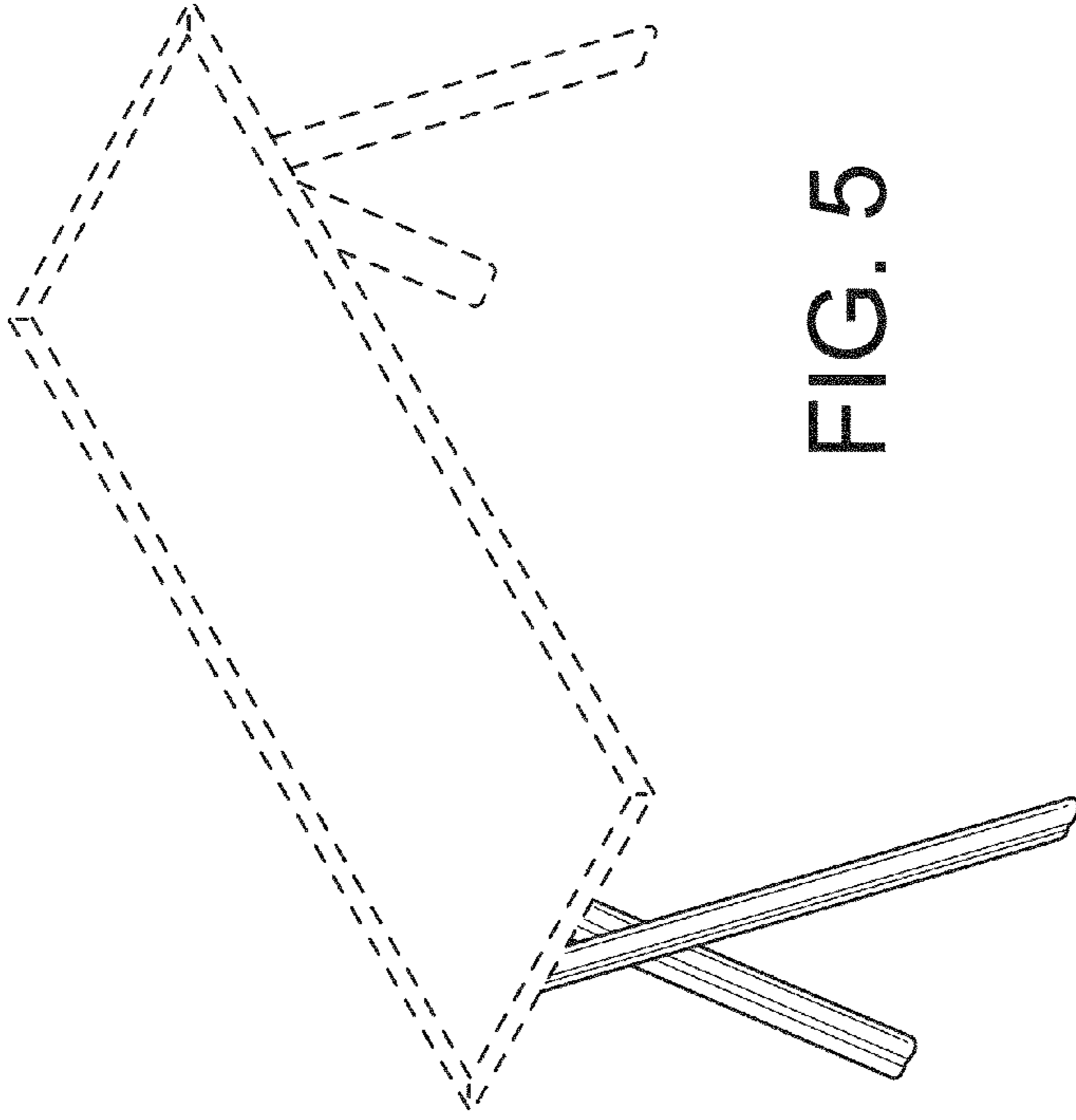


FIG. 5

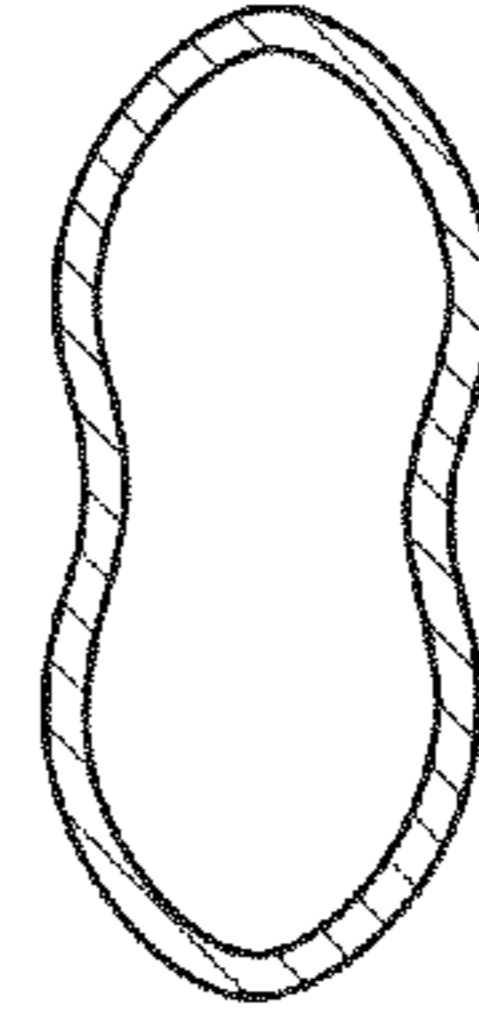


FIG. 6