



US00D688074S

(12) **United States Design Patent**
Lin

(10) **Patent No.:** **US D688,074 S**

(45) **Date of Patent:** **** Aug. 20, 2013**

(54) **CHAIR BASE**

(71) Applicant: **Chang-Chen Lin**, Guanmiao Township,
Tainan County (TW)

(72) Inventor: **Chang-Chen Lin**, Guanmiao Township,
Tainan County (TW)

(**) Term: **14 Years**

(21) Appl. No.: **29/444,005**

(22) Filed: **Jan. 24, 2013**

(51) **LOC (9) Cl.** **06-06**

(52) **U.S. Cl.**
USPC **D6/708.2**

(58) **Field of Classification Search**
USPC D6/334-33, 344-353, 360-381,
D6/388, 403, 491-502, 672, 708, 708.16,
D6/708.23, 716.7; D23/311; 29/446; 297/22,
297/31, 35, 217.1, 239, 256.16, 265.1, 268.1,
297/270.3, 284.4-284.5, 291, 297, 302.4,
297/411.2, 411.27-411.29, 411.43, 423.1,
297/423.12, 440.15, 451.1, 452.13, 452.19,
297/452.21, 452.27, 452.29, 452.3, 452.41,
297/452.56, 452.64

See application file for complete search history.

(56) **References Cited**

U.S. PATENT DOCUMENTS

4,411,468 A * 10/1983 Apissomian 297/268.1
4,592,126 A * 6/1986 Bottemiller 29/446
4,718,723 A * 1/1988 Bottemiller 297/265.1
4,786,106 A * 11/1988 Bottemiller 297/265.1
D340,361 S * 10/1993 Tseng D6/365
D364,283 S * 11/1995 Zaidman D6/365

D384,228 S * 9/1997 Desnoyers D6/495
D406,971 S * 3/1999 McDiarmid D6/495
5,931,530 A * 8/1999 Liu 297/270.3
D419,005 S * 1/2000 McDiarmid D6/495
D447,365 S * 9/2001 Chi D6/495
D456,186 S * 4/2002 Liu D6/498
D459,917 S * 7/2002 Hankins et al. D6/495
D460,815 S * 7/2002 Higgs et al. D23/311
D467,760 S * 12/2002 Marshall et al. D6/500
D528,315 S * 9/2006 Tseng D6/365
D528,316 S * 9/2006 Tseng D6/365
D545,596 S * 7/2007 Lin D6/495
D569,115 S * 5/2008 McCoy et al. D6/365
D624,766 S * 10/2010 Brunstad D6/495
D636,612 S * 4/2011 Overthun et al. D6/338
D643,231 S * 8/2011 Huang D6/449
D646,497 S * 10/2011 Overthun et al. D6/375
D661,914 S * 6/2012 Paulin et al. D6/365
D679,517 S * 4/2013 Corcorran et al. D6/375
D679,923 S * 4/2013 Corcorran et al. D6/708

* cited by examiner

Primary Examiner — Ricky Pham

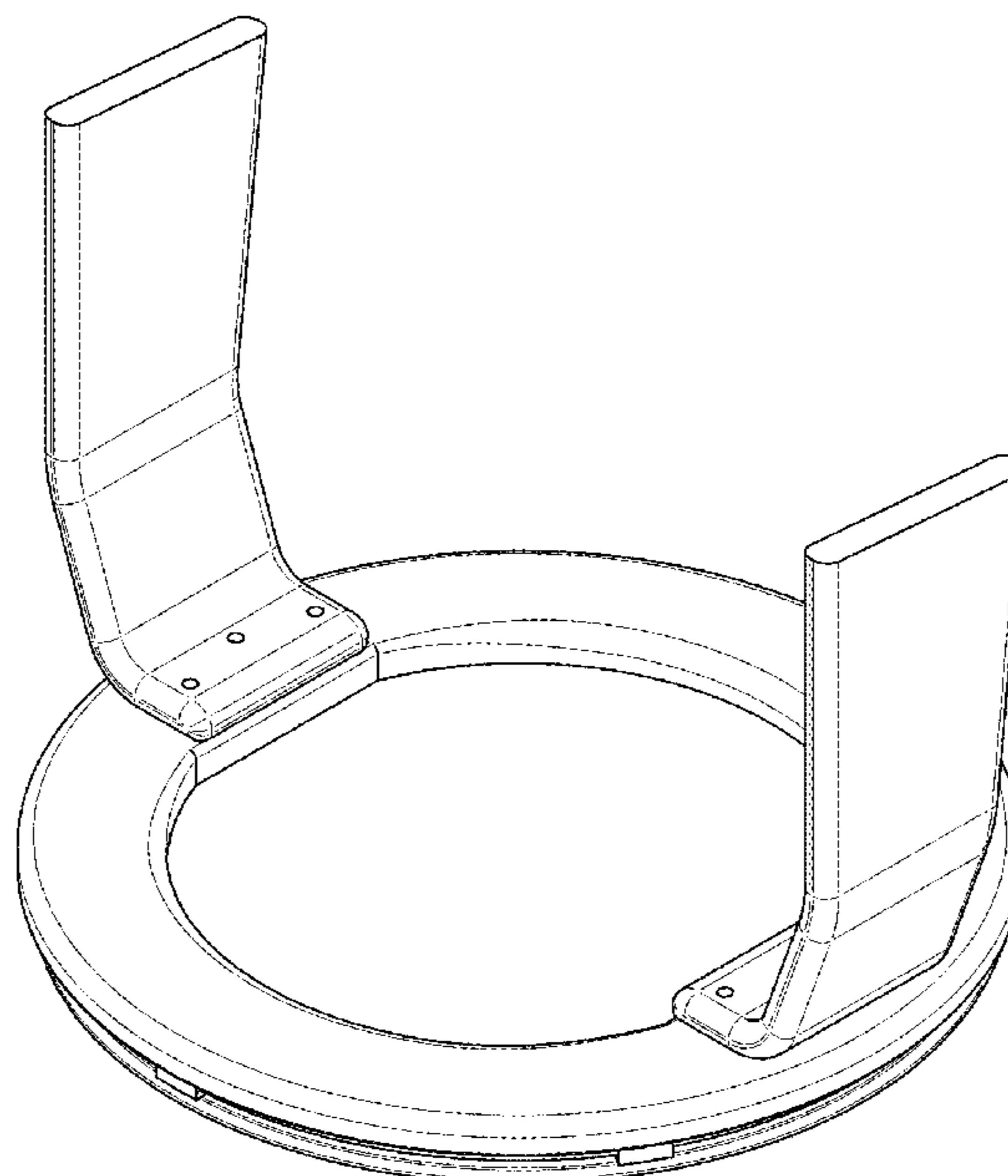
(57) **CLAIM**

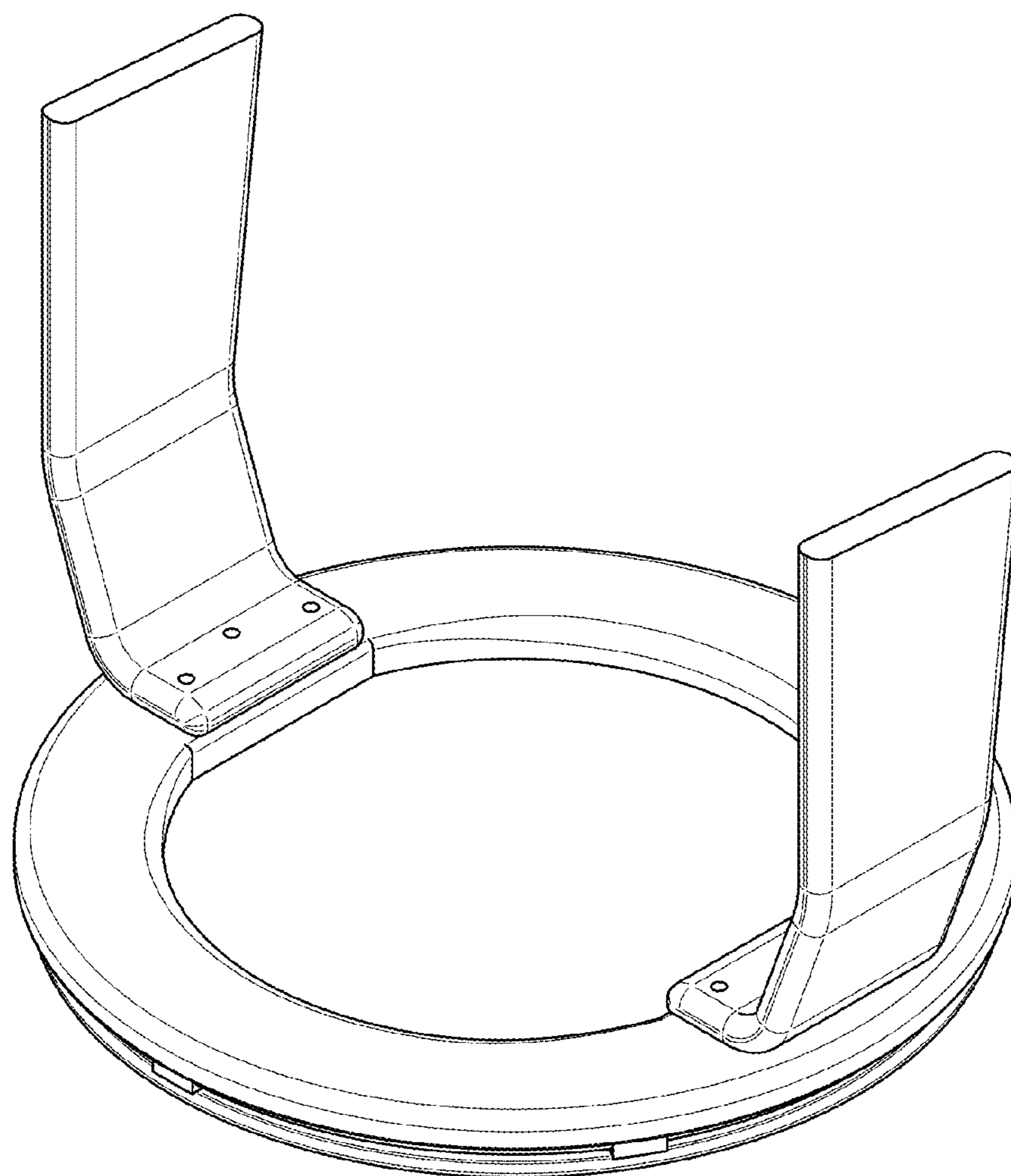
The ornamental design for a chair base, as shown and described.

DESCRIPTION

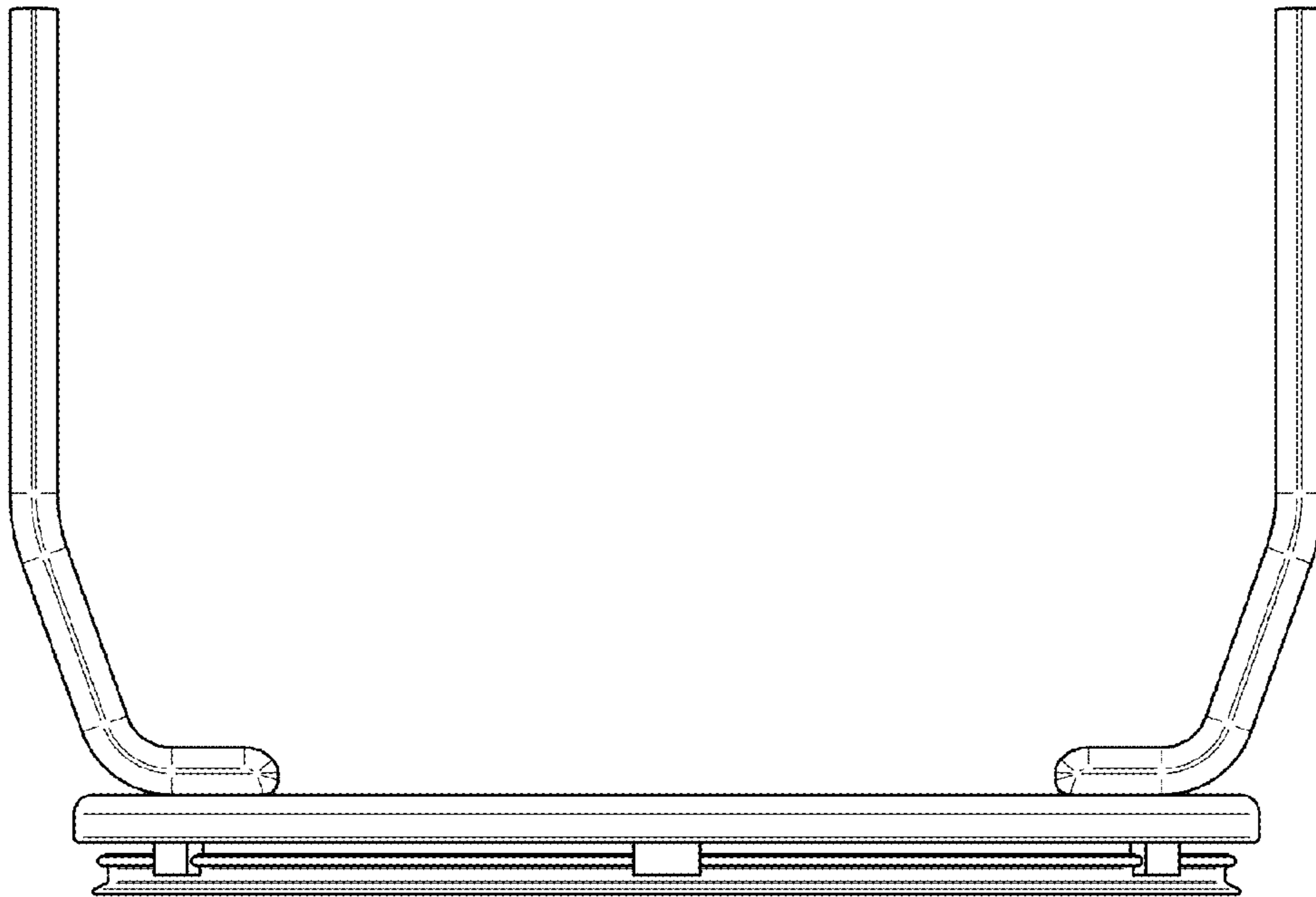
FIG. 1 is a perspective view of the chair backrest showing my new design;
FIG. 2 is a front elevation view thereof;
FIG. 3 is a rear elevation view thereof;
FIG. 4 is a left side elevation view thereof;
FIG. 5 is a right side elevation view thereof;
FIG. 6 is a top plan view thereof; and,
FIG. 7 is a bottom plan view thereof.

1 Claim, 7 Drawing Sheets





F I G . 1



F I G . 2

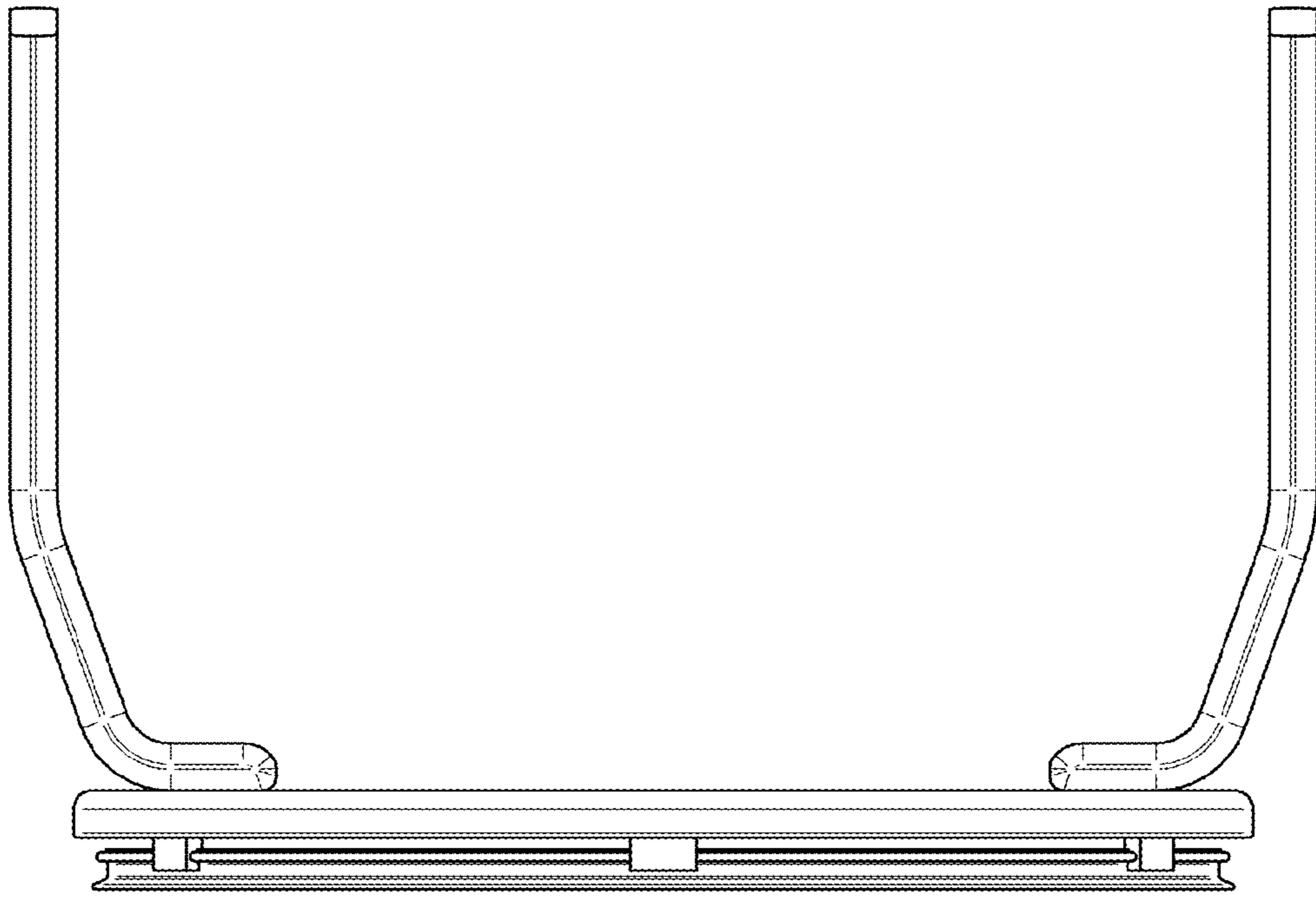
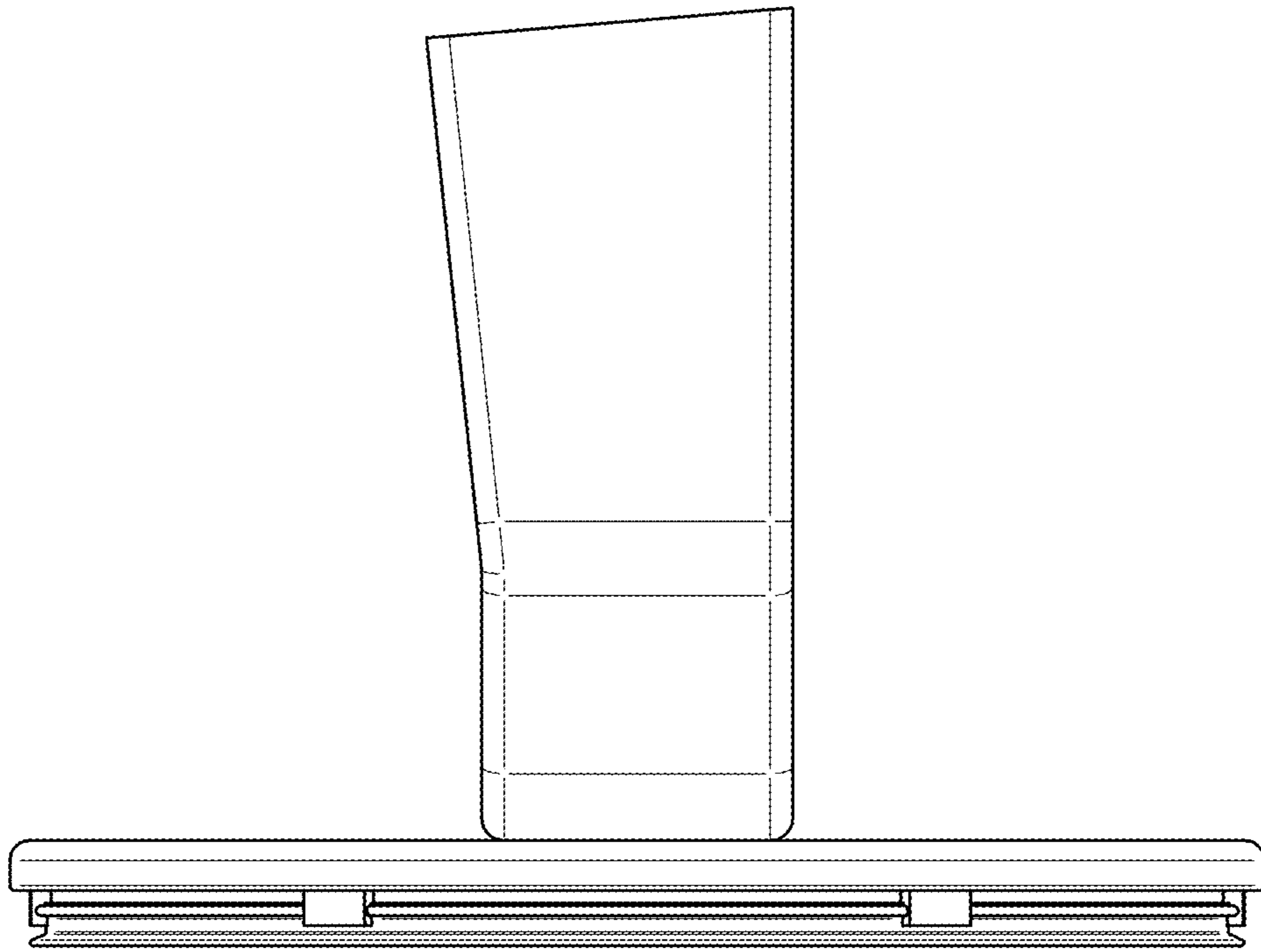
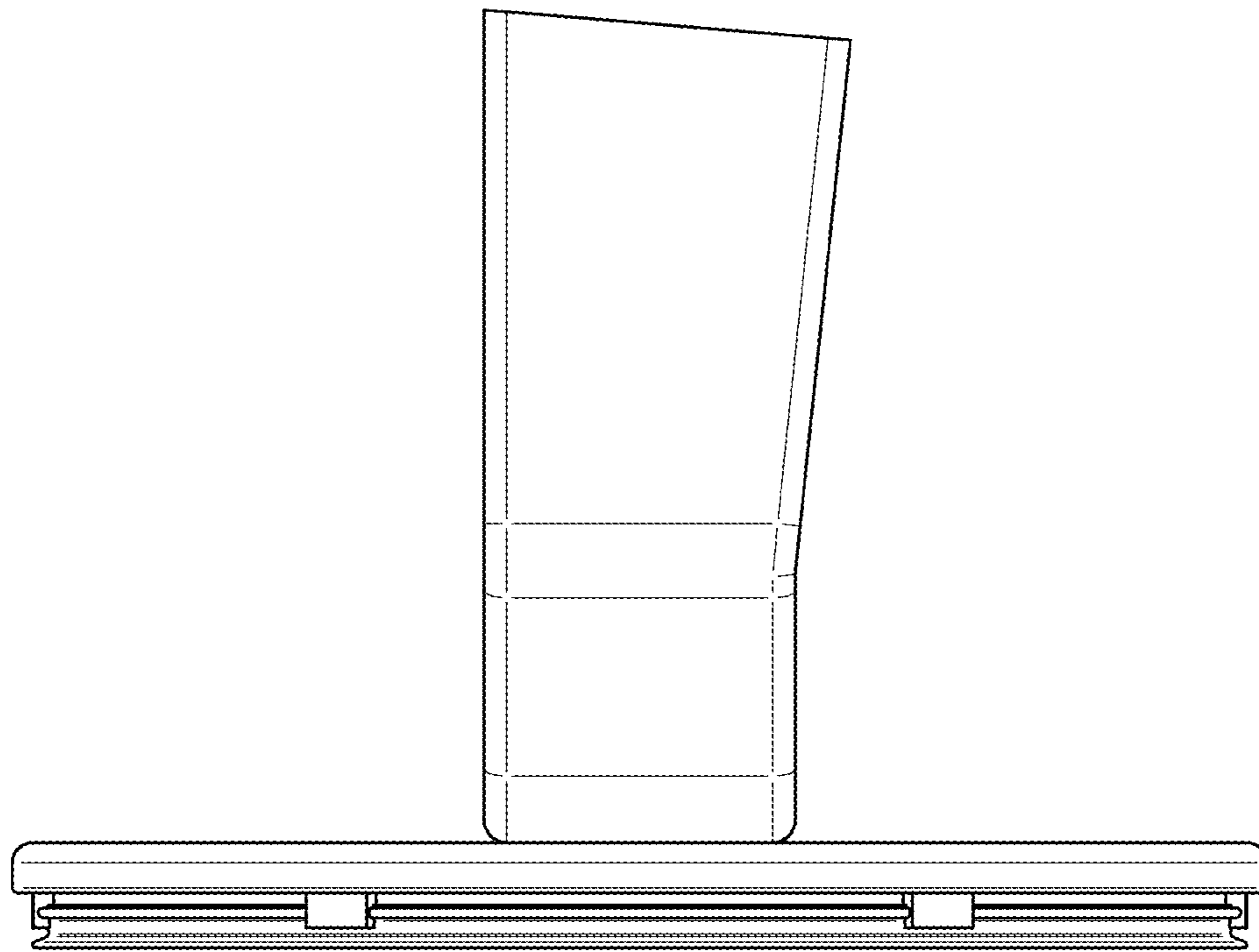


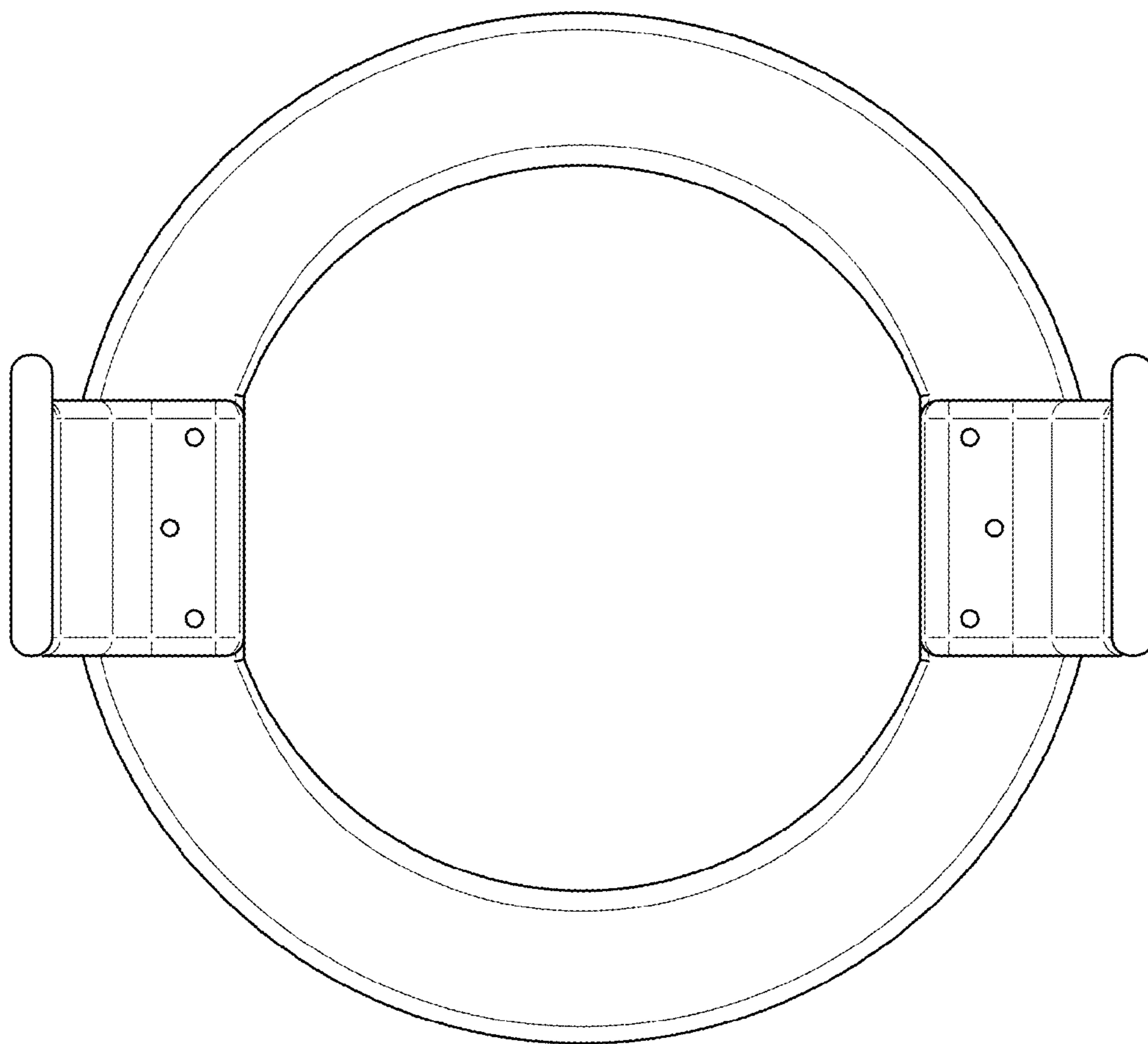
FIG. 3



F I G . 4



F I G . 5



F I G . 6

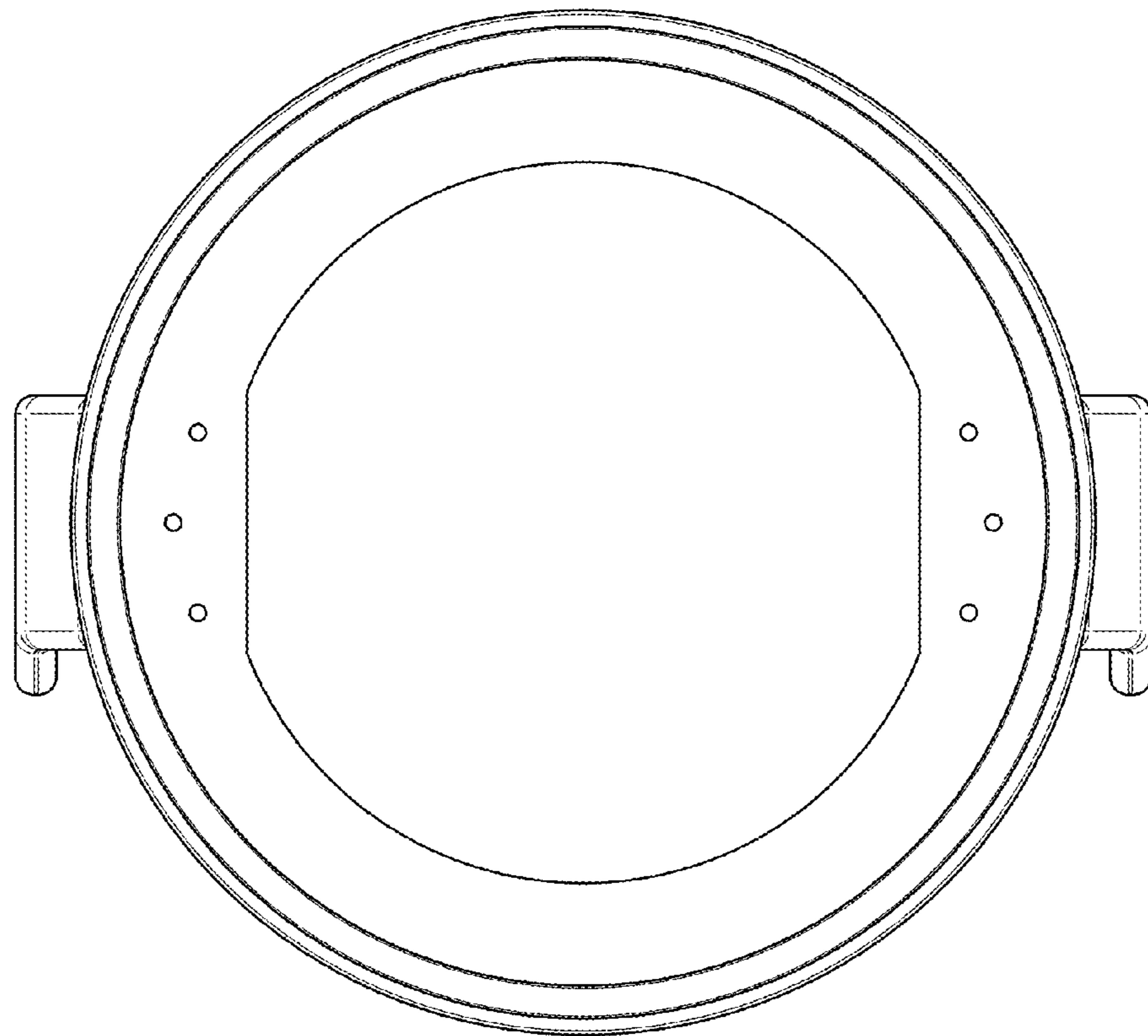


FIG. 7