



US00D688073S

(12) **United States Design Patent**
Shi

(10) **Patent No.:** **US D688,073 S**

(45) **Date of Patent:** **** Aug. 20, 2013**

(54) **TABLE**

D578,325 S * 10/2008 Warriner D6/495
D609,505 S * 2/2010 Phookan et al. D6/485
D661,518 S 6/2012 Shi

(76) Inventor: **Xiaoxi Shi**, Woodland Hills, CA (US)

* cited by examiner

(**) Term: **14 Years**

Primary Examiner — Janice Seeger

(21) Appl. No.: **29/421,195**

(74) *Attorney, Agent, or Firm* — Law Office of David Hong

(22) Filed: **Jun. 11, 2012**

(57) **CLAIM**

Related U.S. Application Data

The ornamental design for a table, as shown and described.

(63) Continuation-in-part of application No. 29/374,925, filed on Oct. 25, 2011, now Pat. No. Des. 661,518.

(51) **LOC (9) Cl.** **06-03**

DESCRIPTION

(52) **U.S. Cl.**

USPC **D6/693.3**

(58) **Field of Classification Search**

USPC D6/693, 693.1, 693.2, 693.3, 707.21,
D6/676, 676.2; 108/150, 153.1, 155, 156,
108/161; 248/188, 188.1, 188.8

FIG. 1 is a perspective view of my table.
FIG. 2 is a top view of the table of FIG. 1.
FIG. 3 is a front elevation view of the table of FIG. 1.
FIG. 4 is a left side elevation view of the table of FIG. 1; the right side elevation view is a mirror image of the left side elevation view.

See application file for complete search history.

FIG. 5 is a rear elevation view of the table of FIG. 1; and, FIG. 6 is a bottom view of the table of FIG. 1.

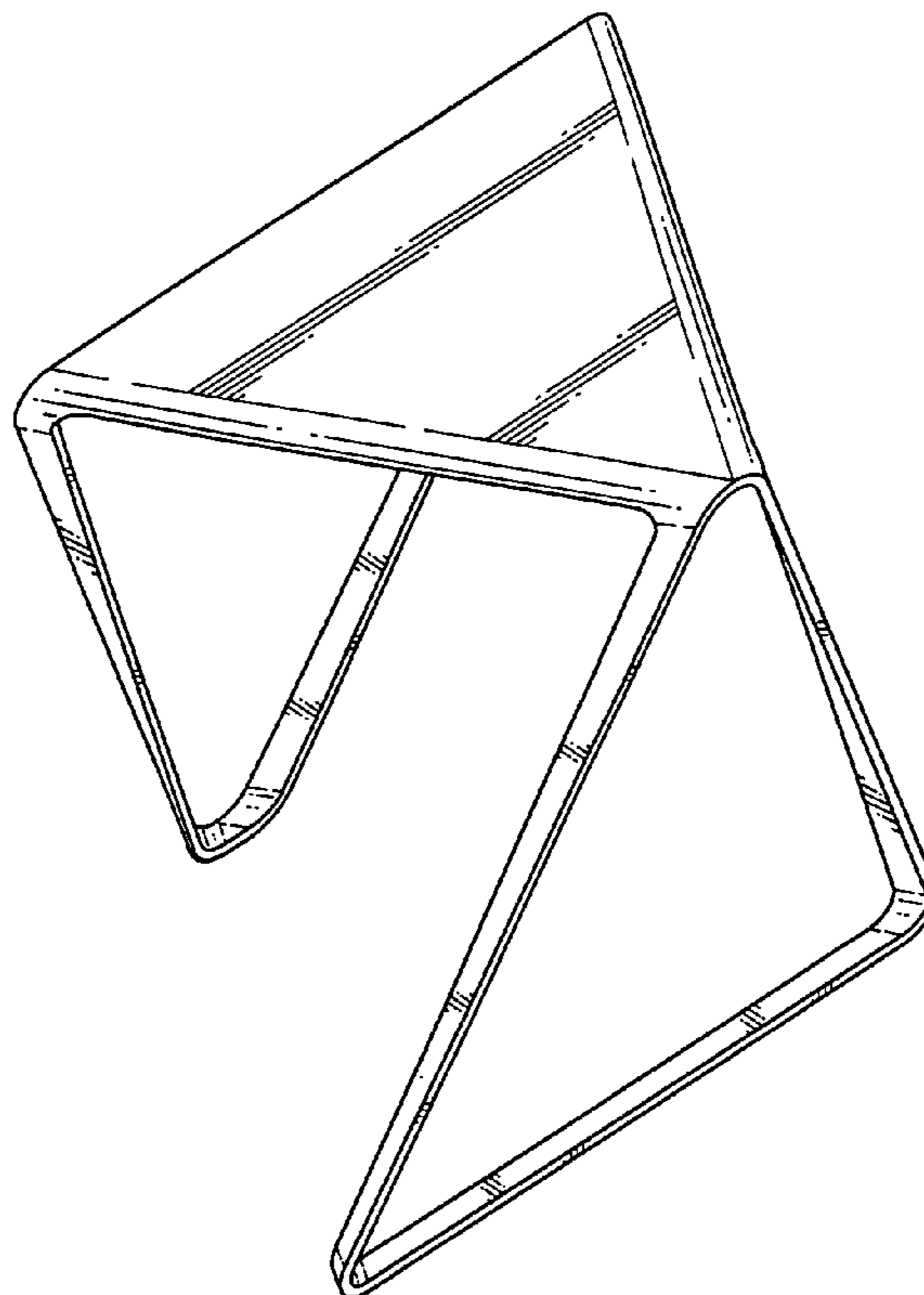
(56) **References Cited**

In FIGS. 1-6, the broken lines are included for the purpose of illustrating environment and form no part of the claimed design.

U.S. PATENT DOCUMENTS

D253,624 S * 12/1979 Browne D6/483
D336,186 S * 6/1993 Barrail D6/487

1 Claim, 2 Drawing Sheets



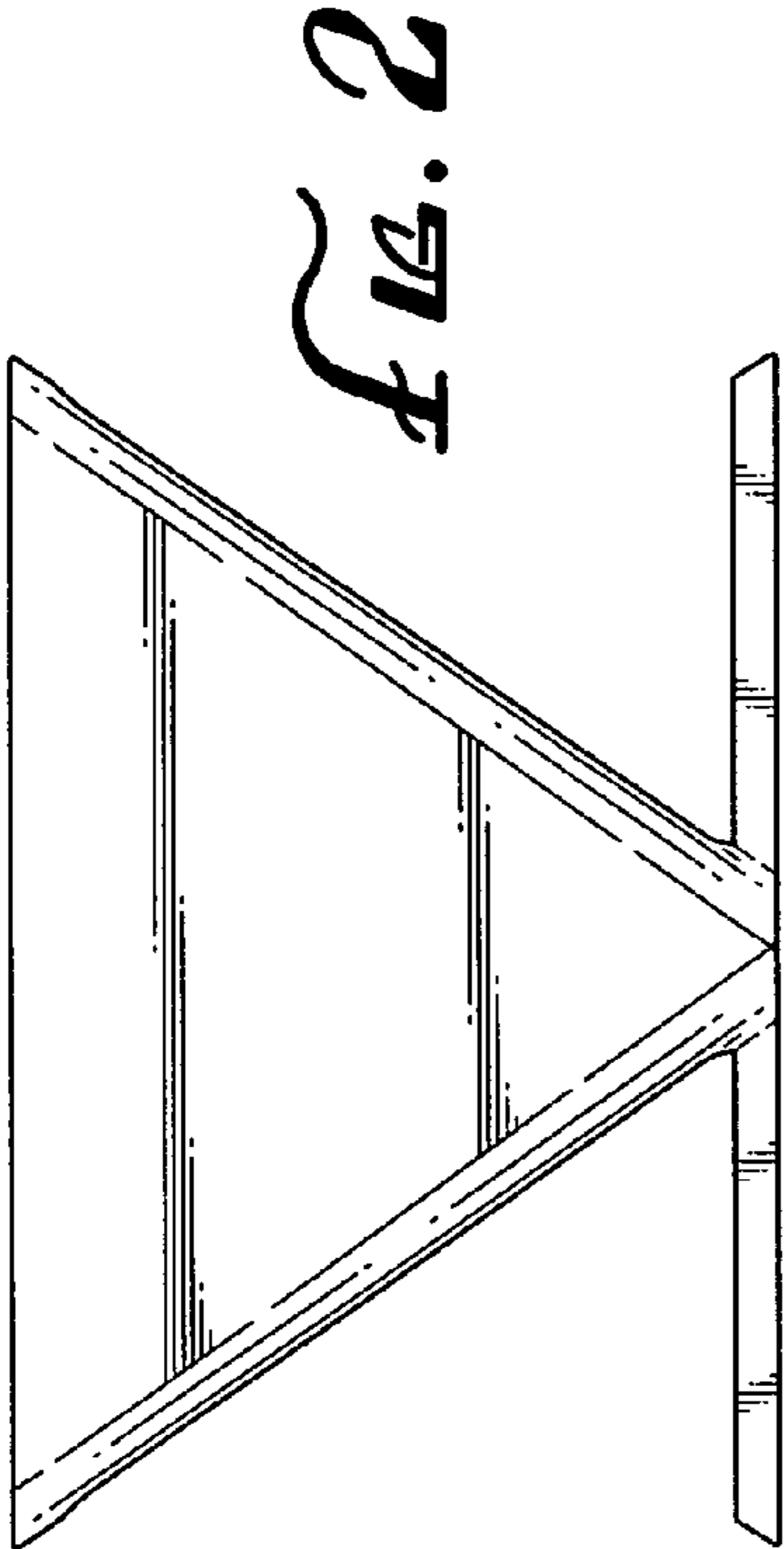


Fig. 2

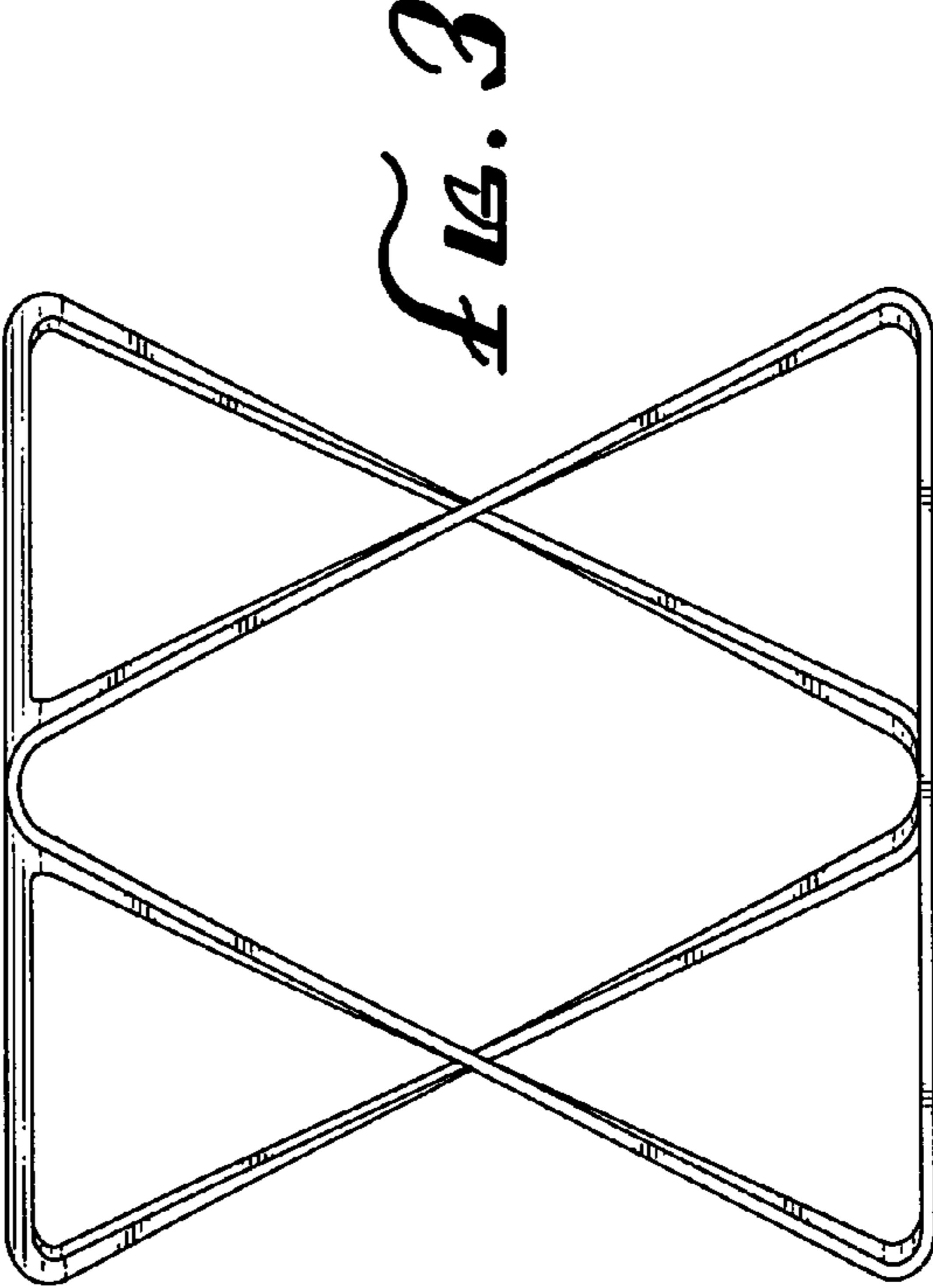


Fig. 3

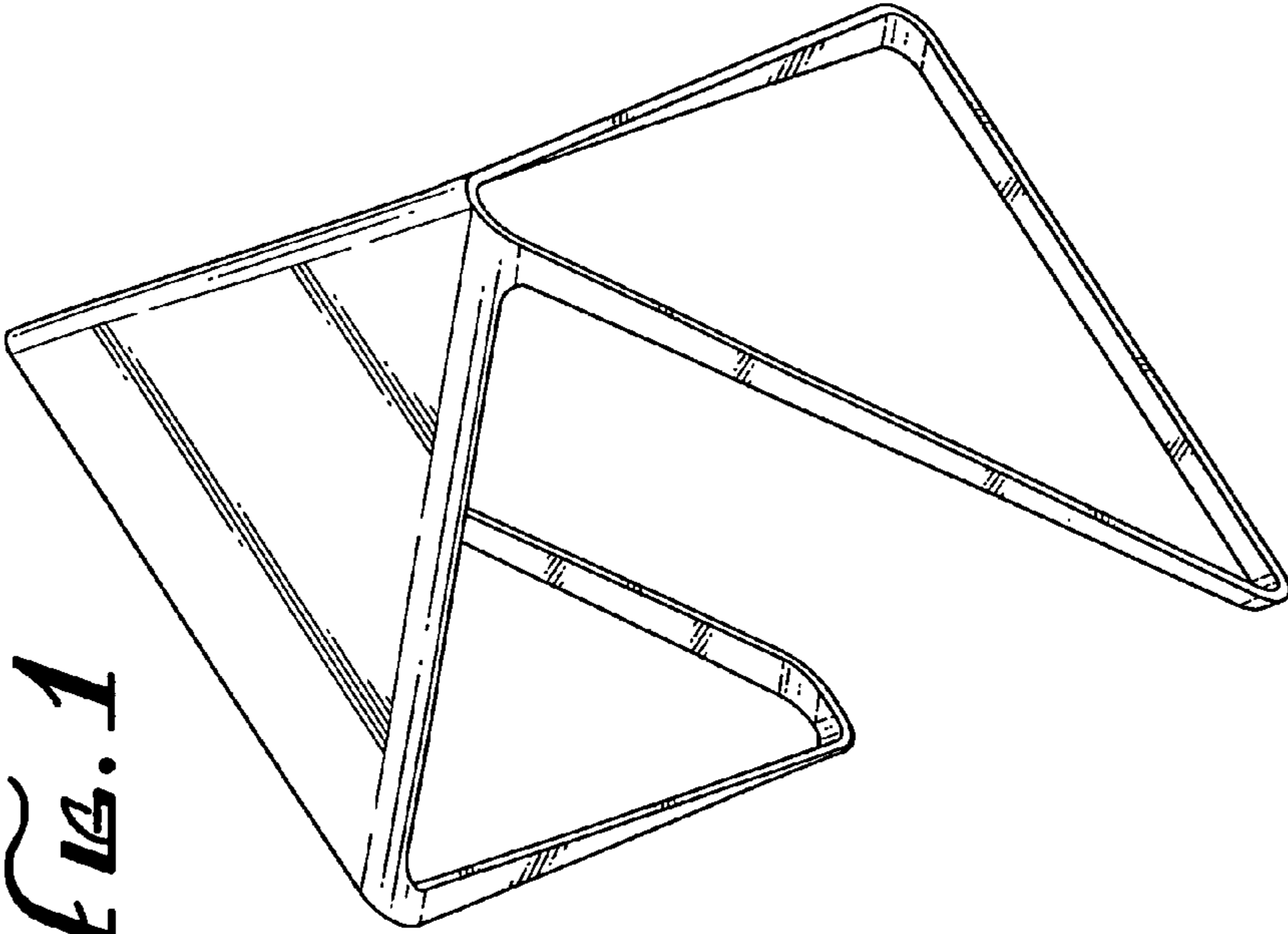


Fig. 1

FIG. 4

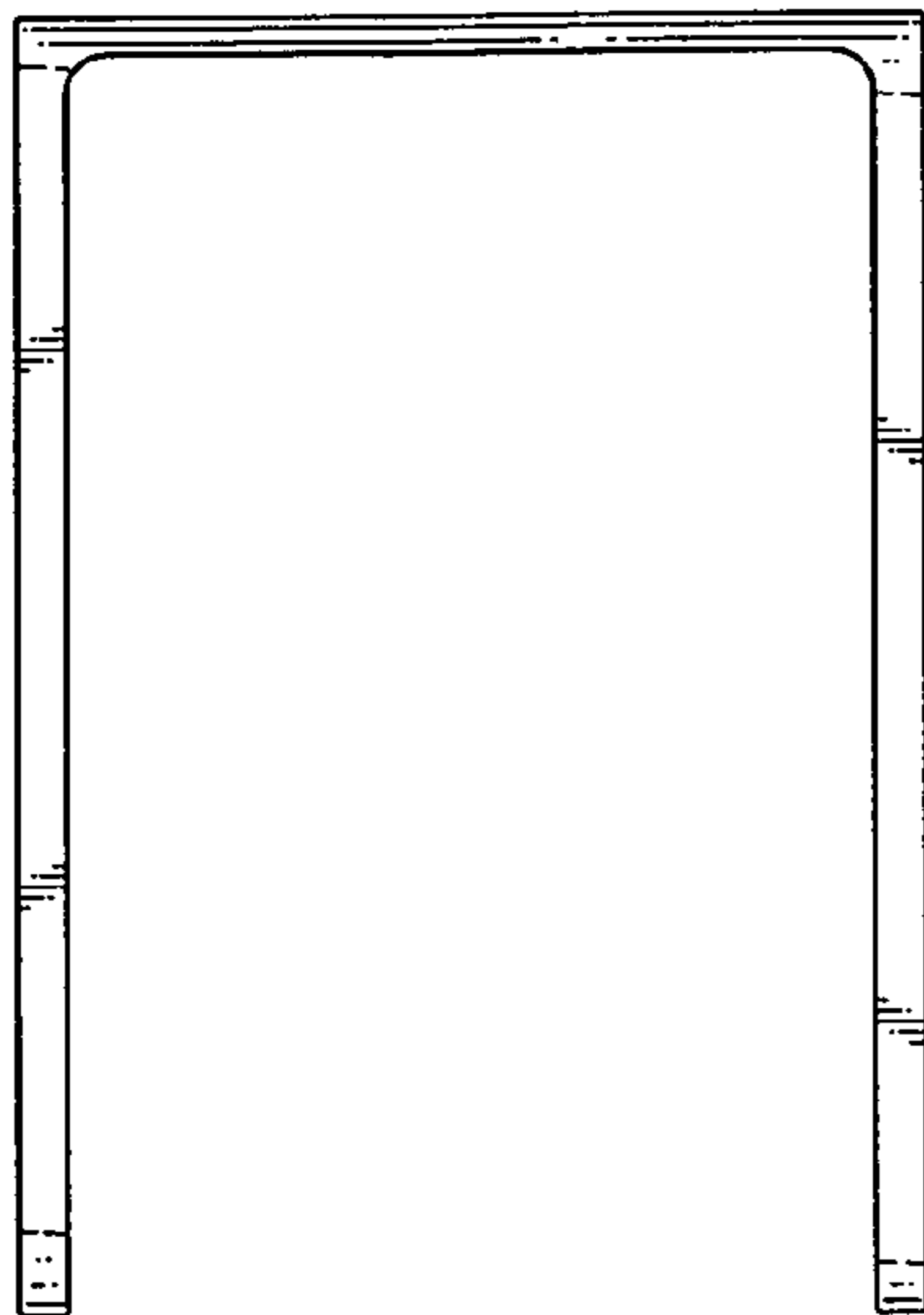


FIG. 5

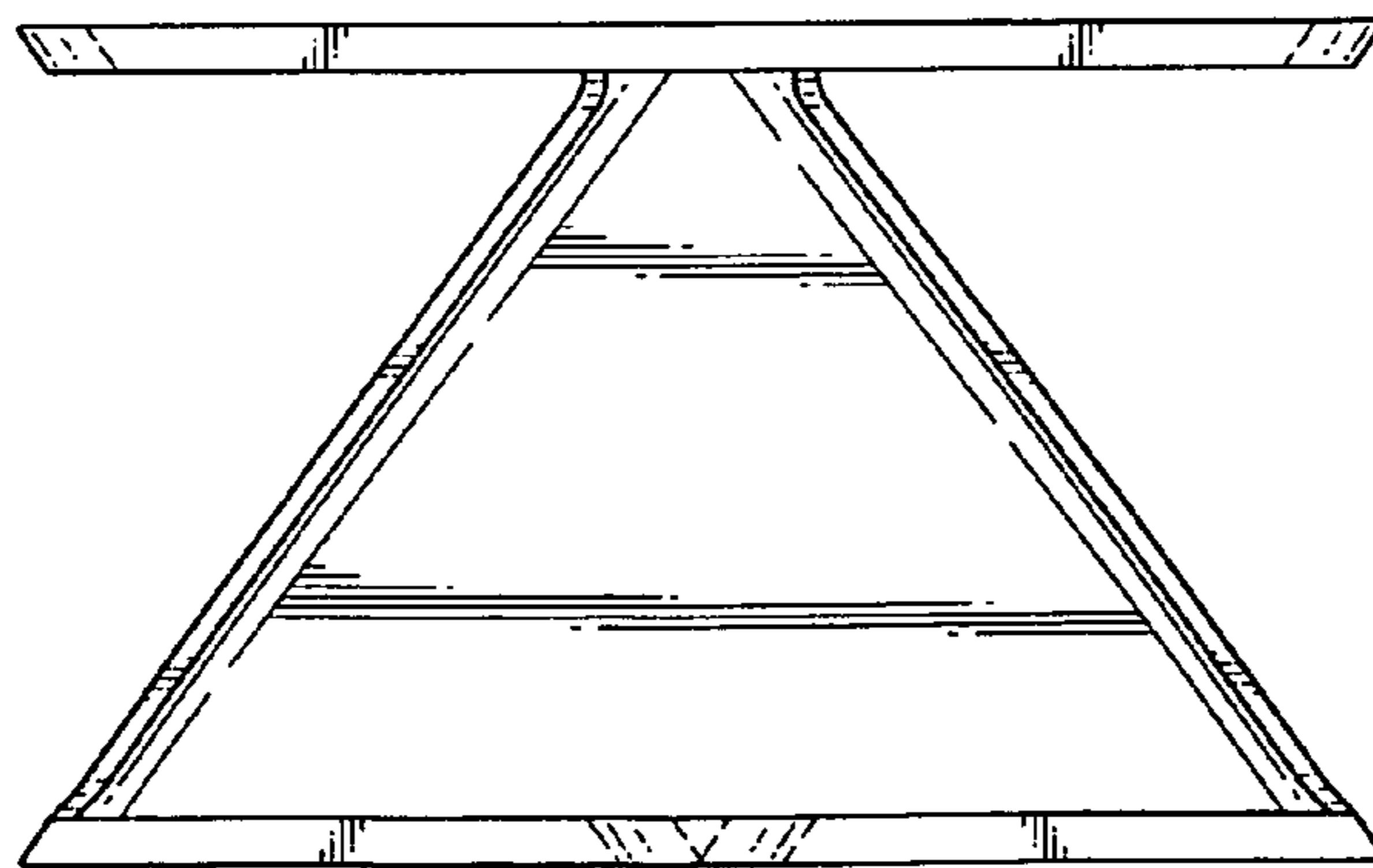
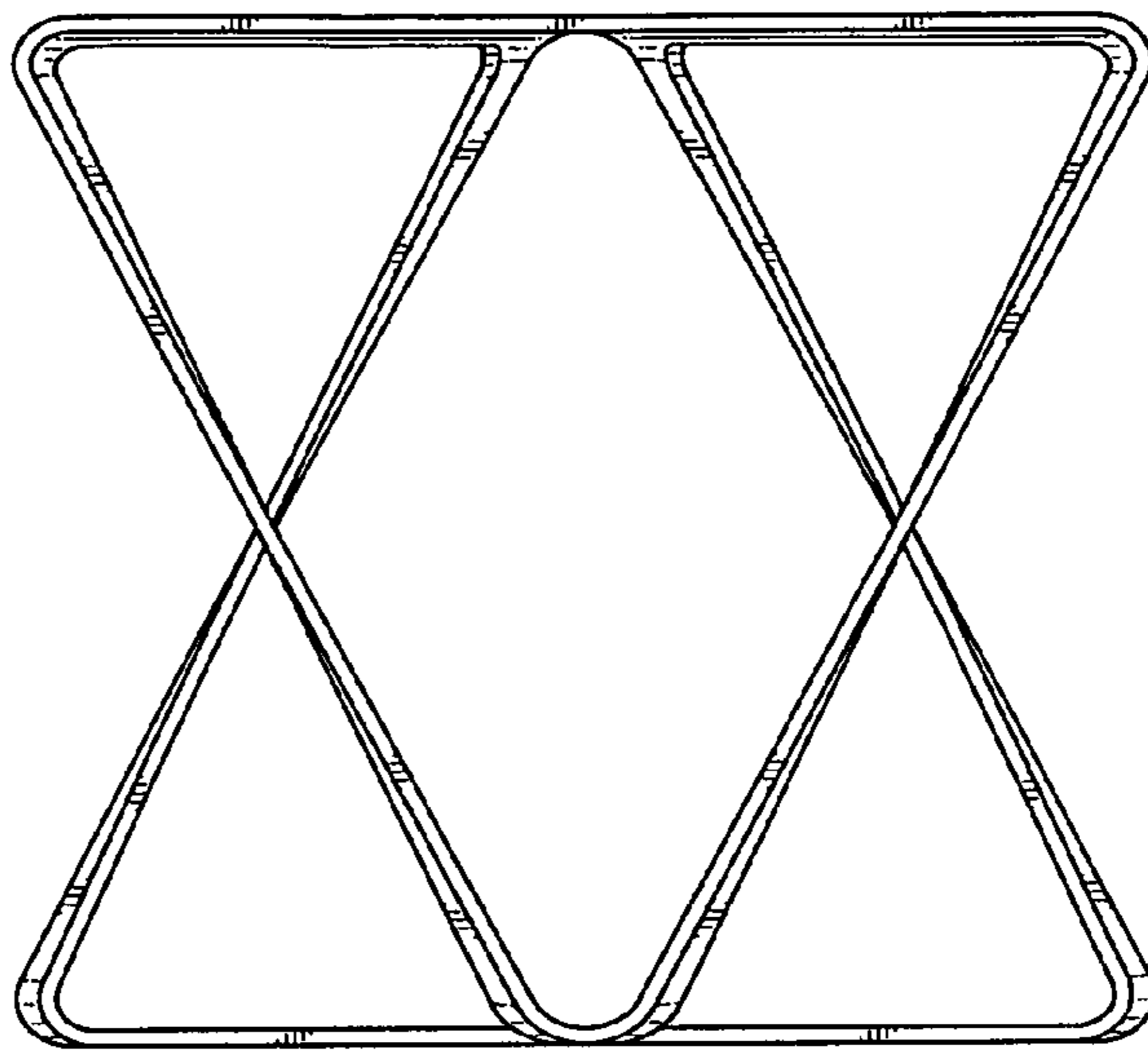


FIG. 6