



US00D688072S

(12) **United States Design Patent**  
**Hennessey**

(10) **Patent No.:** **US D688,072 S**

(45) **Date of Patent:** **\*\* Aug. 20, 2013**

(54) **INSTRUMENT STAND**

(75) **Inventor:** **James R. Hennessey**, West Hartford, CT  
(US)

(73) **Assignee:** **The Music People Inc.**, Berlin, CT (US)

(\*\*) **Term:** **14 Years**

(21) **Appl. No.:** **29/422,084**

(22) **Filed:** **May 16, 2012**

(51) **LOC (9) Cl.** ..... **06-04**

(52) **U.S. Cl.**  
USPC ..... **D6/682**

(58) **Field of Classification Search**  
USPC ..... D6/395, 396, 429, 449, 450, 453-469;  
211/1, 2, 13.1, 44, 45, 72, 85.2, 85.6, 85.8,  
211/85.14, 85.31, 86.01, 189; D14/447;  
D17/20; 84/327; 248/121, 166, 441.1

See application file for complete search history.

(56) **References Cited**

U.S. PATENT DOCUMENTS

3,737,137	A *	6/1973	Sheehan	.....	248/441.1
4,691,610	A *	9/1987	Gilbert	.....	84/327
5,165,631	A *	11/1992	Norsworthy	.....	248/121
D392,123	S *	3/1998	Lynch	.....	D6/466

\* cited by examiner

*Primary Examiner* — Mary Ann Calebrese  
(74) *Attorney, Agent, or Firm* — MKG, LLC

(57) **CLAIM**

The ornamental design for an instrument stand, as shown and described.

**DESCRIPTION**

FIG. 1 is a front view of an instrument stand with the new design;  
FIG. 2 is a rear view thereof;  
FIG. 3 is a top view thereof;  
FIG. 4 is a bottom view thereof;  
FIG. 5 is a left side view thereof;  
FIG. 6 is a right side view thereof; and,  
FIG. 7 is a front perspective view thereof.  
In the drawings, the broken lines represent portions of the instrument stand that form no part of the claimed design.

**1 Claim, 4 Drawing Sheets**

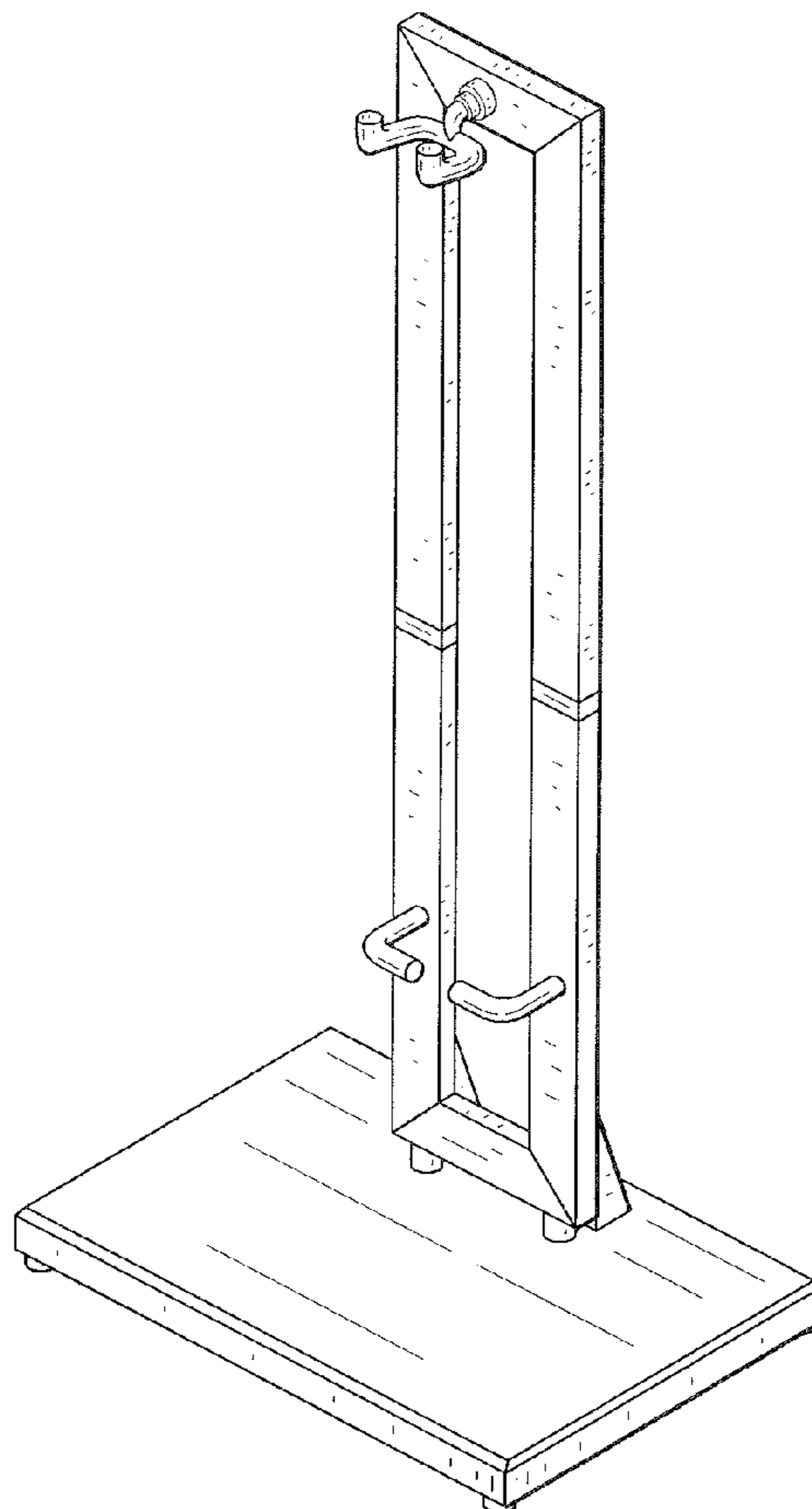


FIG. 1

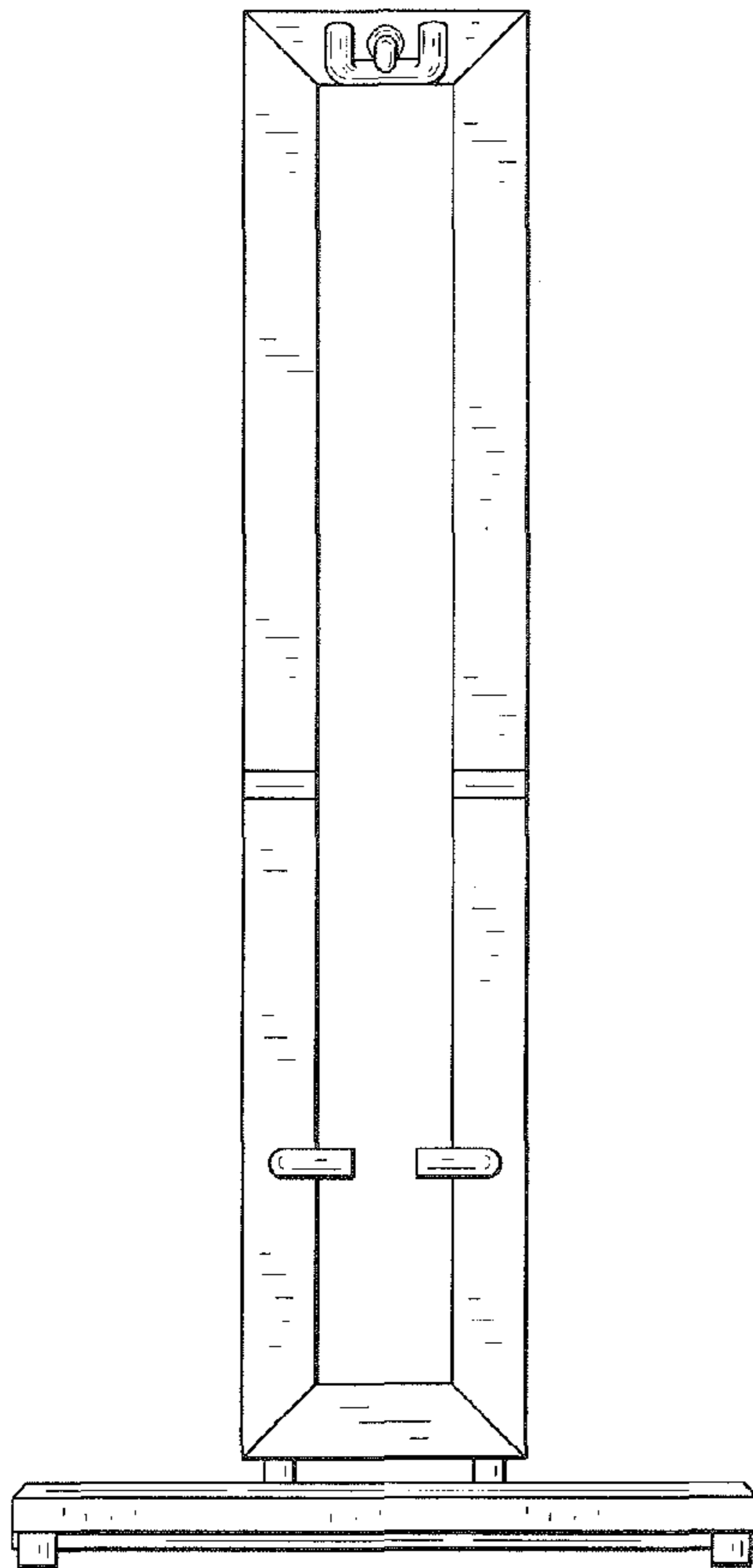


FIG. 2

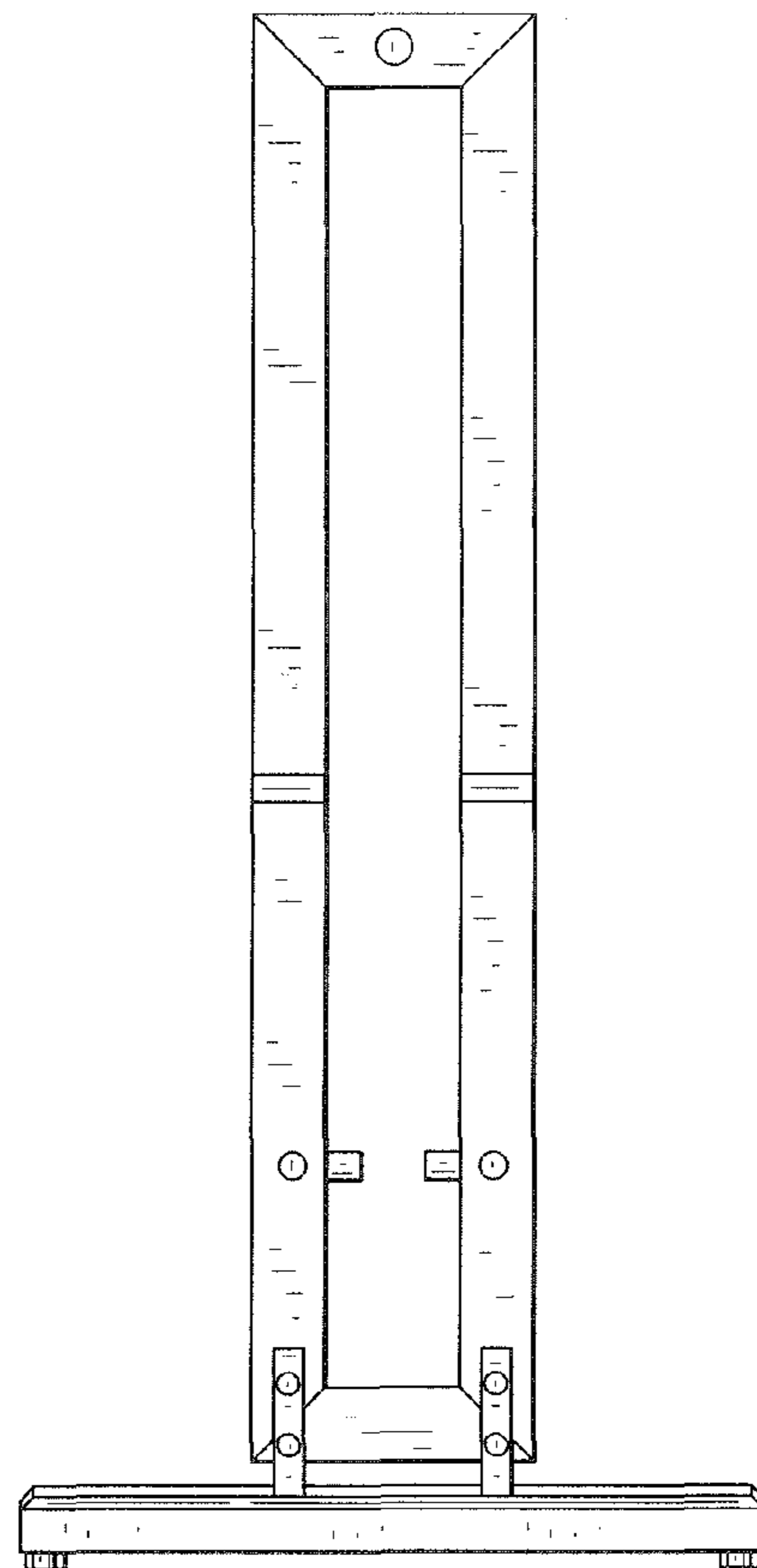


FIG. 3

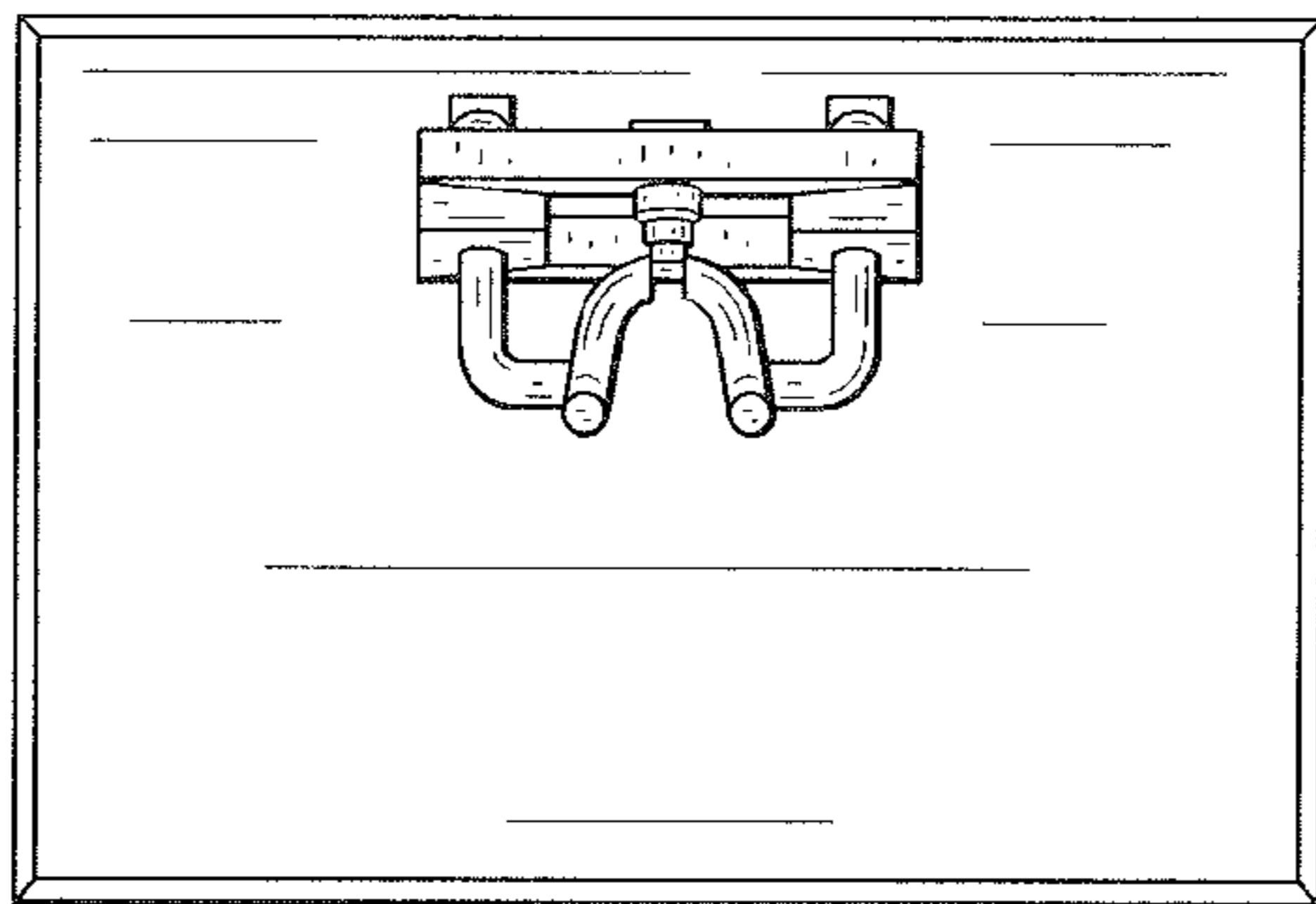


FIG. 4

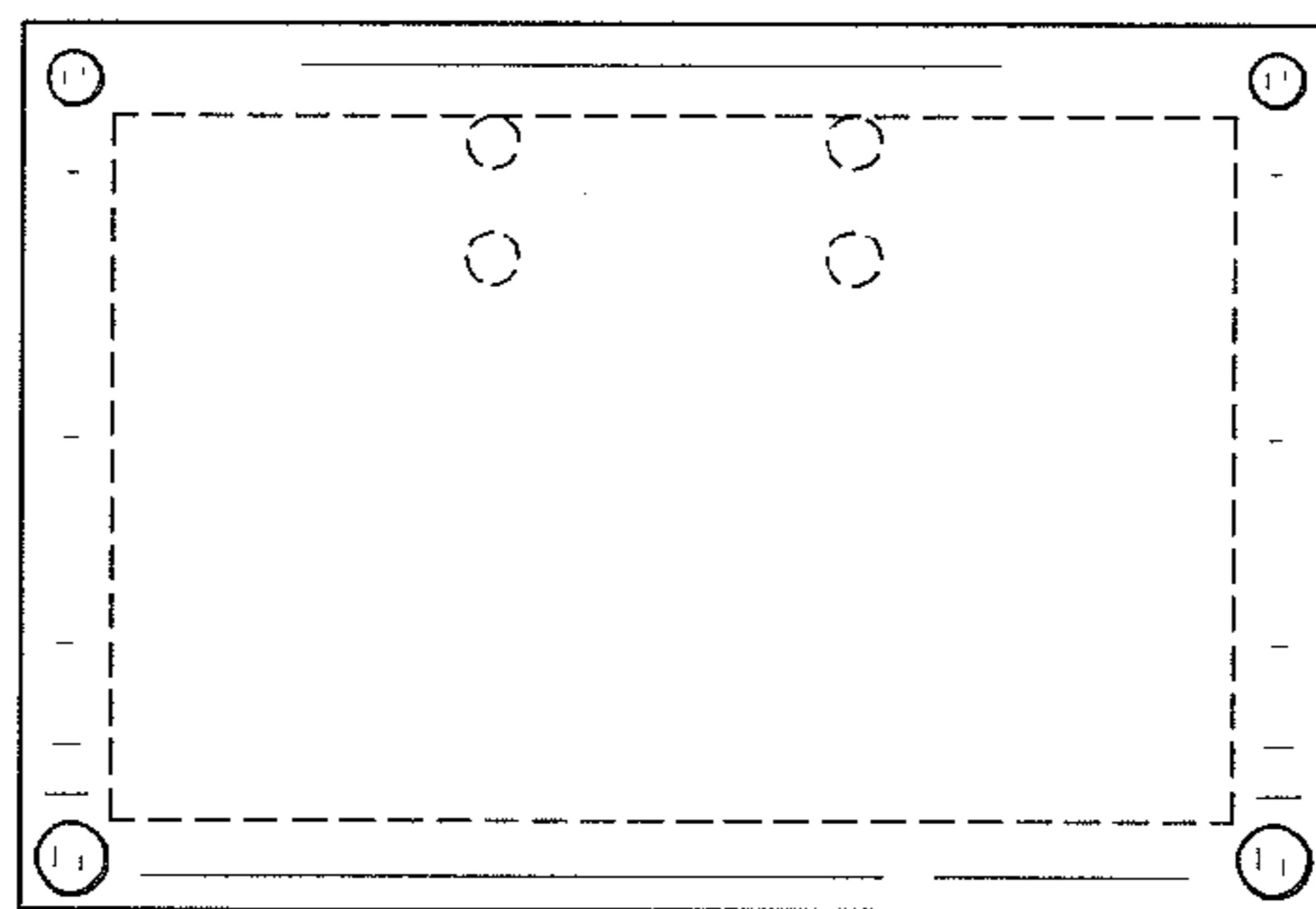


FIG. 5

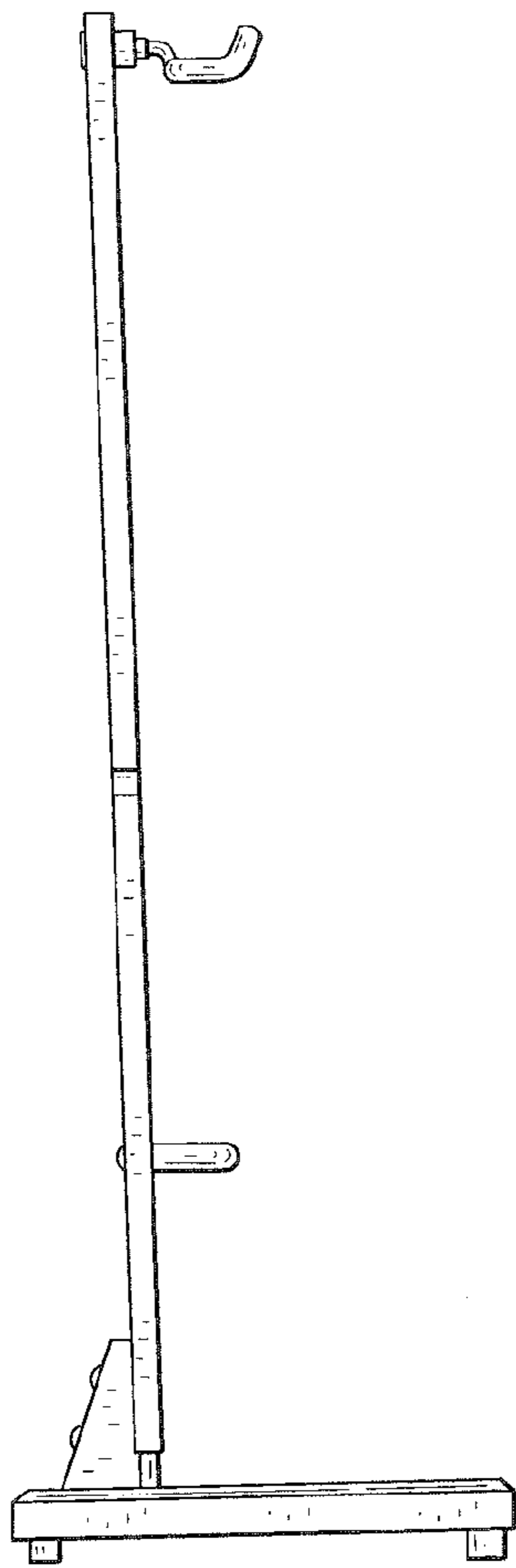


FIG. 6

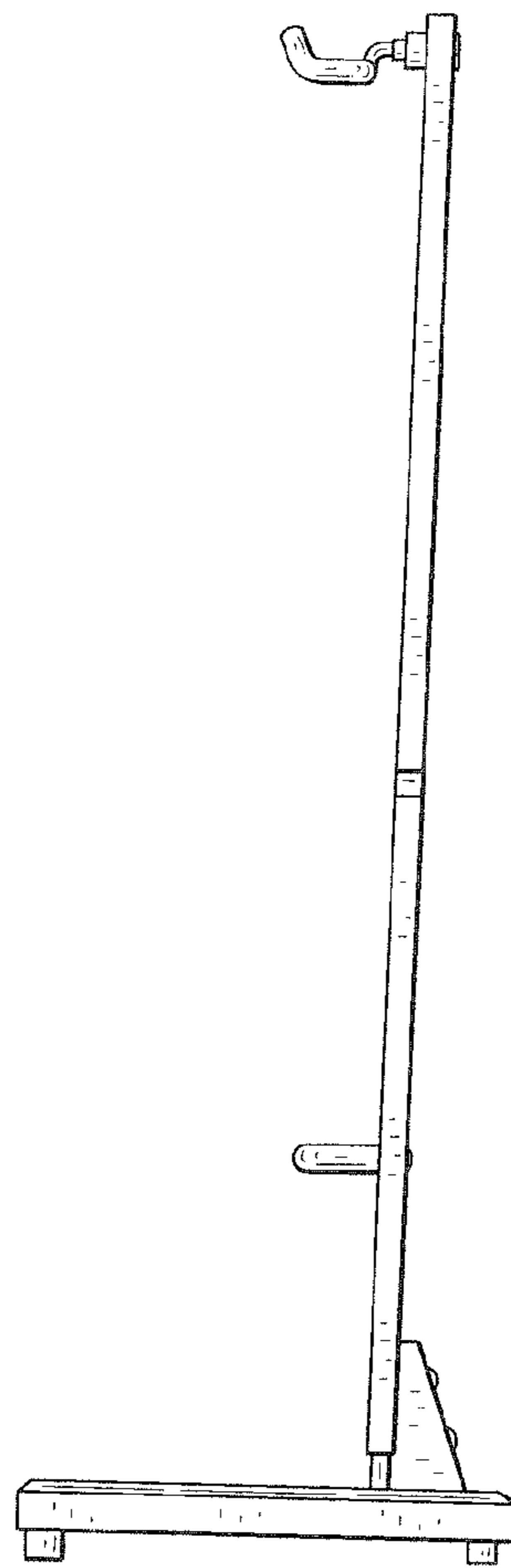


FIG. 7

