



US00D688071S

(12) **United States Design Patent**
Mount

(10) **Patent No.:** **US D688,071 S**

(45) **Date of Patent:** **** Aug. 20, 2013**

(54) **ICE BEVERAGE MERCHANDISER**

D613,560 S * 4/2010 Robichaud et al. D7/605
D643,646 S * 8/2011 Buckles et al. D6/397
D674,245 S * 1/2013 Williams et al. D7/605
D676,260 S * 2/2013 Dobelbower D6/680.1

(76) Inventor: **Floyd E. Mount**, Decorah, IA (US)

(**) Term: **14 Years**

* cited by examiner

(21) Appl. No.: **29/416,821**

Primary Examiner — Kelley Donnelly

(22) Filed: **Mar. 27, 2012**

(74) *Attorney, Agent, or Firm* — Sturm & Fix LLP

(51) **LOC (9) Cl.** **06-06**

(57) **CLAIM**

(52) **U.S. Cl.**
USPC **D6/677**

The ornamental design for an iced beverage merchandiser, as shown and described.

(58) **Field of Classification Search**

DESCRIPTION

USPC D6/396–397, 467–469, 432–434,
D6/440, 443–450, 512–514, 657–658, 663–664,
D6/667–668.1, 672–674, 682–682.1;
D7/603–608, 629; 62/457.1, 457.9, 372,
62/331; 220/592.03, 592.19, 592.16;
280/645–655, 641, 29–30, 47.37, 47.1, 47.371,
280/43.1; D15/79–81

See application file for complete search history.

A portion of the disclosure of this patent document, including appendices, may contain material which is subject to copyright protection. The copyright owner has no objection to the facsimile reproduction by anyone of the patent document or the patent disclosure, as it appears in the Patent and Trademark Office patent file or records, but otherwise reserves all copyright rights whatsoever.

(56) **References Cited**

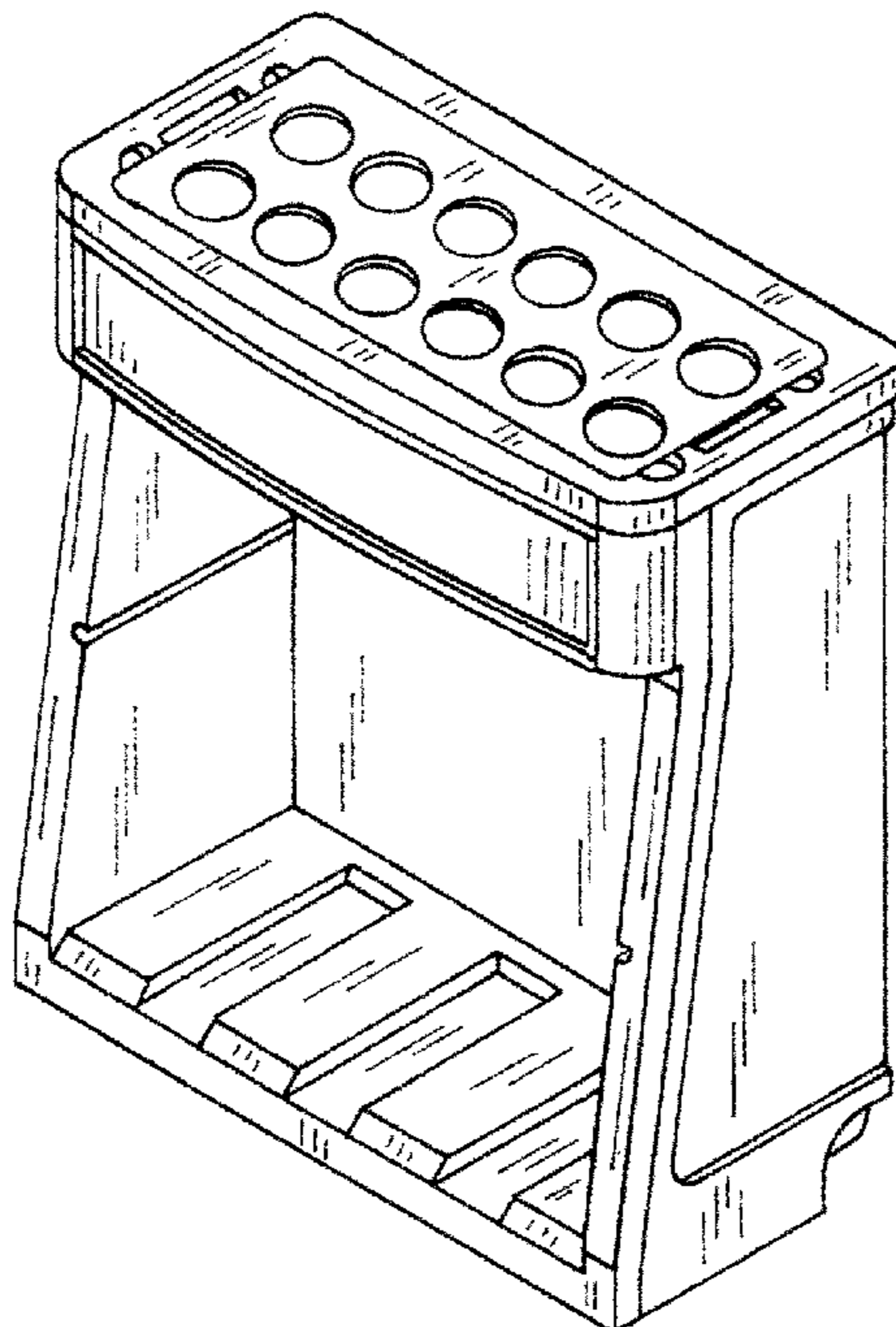
FIG. 1 is a front perspective view of the iced beverage merchandiser showing my new design;
FIG. 2 is a rear perspective view thereof;
FIG. 3 is an exploded view thereof shown with environment;
FIG. 4 is a right side elevational view thereof;
FIG. 5 is a left side elevational view thereof;
FIG. 6 is a front elevational view thereof;
FIG. 7 is a rear elevational view thereof;
FIG. 8 is a top plan view thereof; and,
FIG. 9 is a bottom plan view thereof.

U.S. PATENT DOCUMENTS

D225,870 S * 1/1973 Morgison D6/456
D266,183 S * 9/1982 Snow D22/136
D323,441 S * 1/1992 Waldeck D6/469
D333,770 S * 3/1993 Jureckson D6/469
5,279,428 A * 1/1994 Lee 211/26
D365,705 S * 1/1996 Deeley D6/467
D380,637 S * 7/1997 Funk D6/552
5,657,883 A * 8/1997 Badia 211/70.8
D386,931 S * 12/1997 Nemeth D6/629
D413,491 S * 9/1999 McCauley D7/600.2
6,361,746 B1 * 3/2002 Wlodarski 422/561
D494,775 S * 8/2004 Birmingham D6/456
D568,697 S * 5/2008 Allen D7/708
D592,395 S * 5/2009 Tuck D3/229

The broken lines showing shelving, wheels, and beverage cases are for the purpose of illustrating the environment of the article only and form no part of the claimed design.

1 Claim, 4 Drawing Sheets



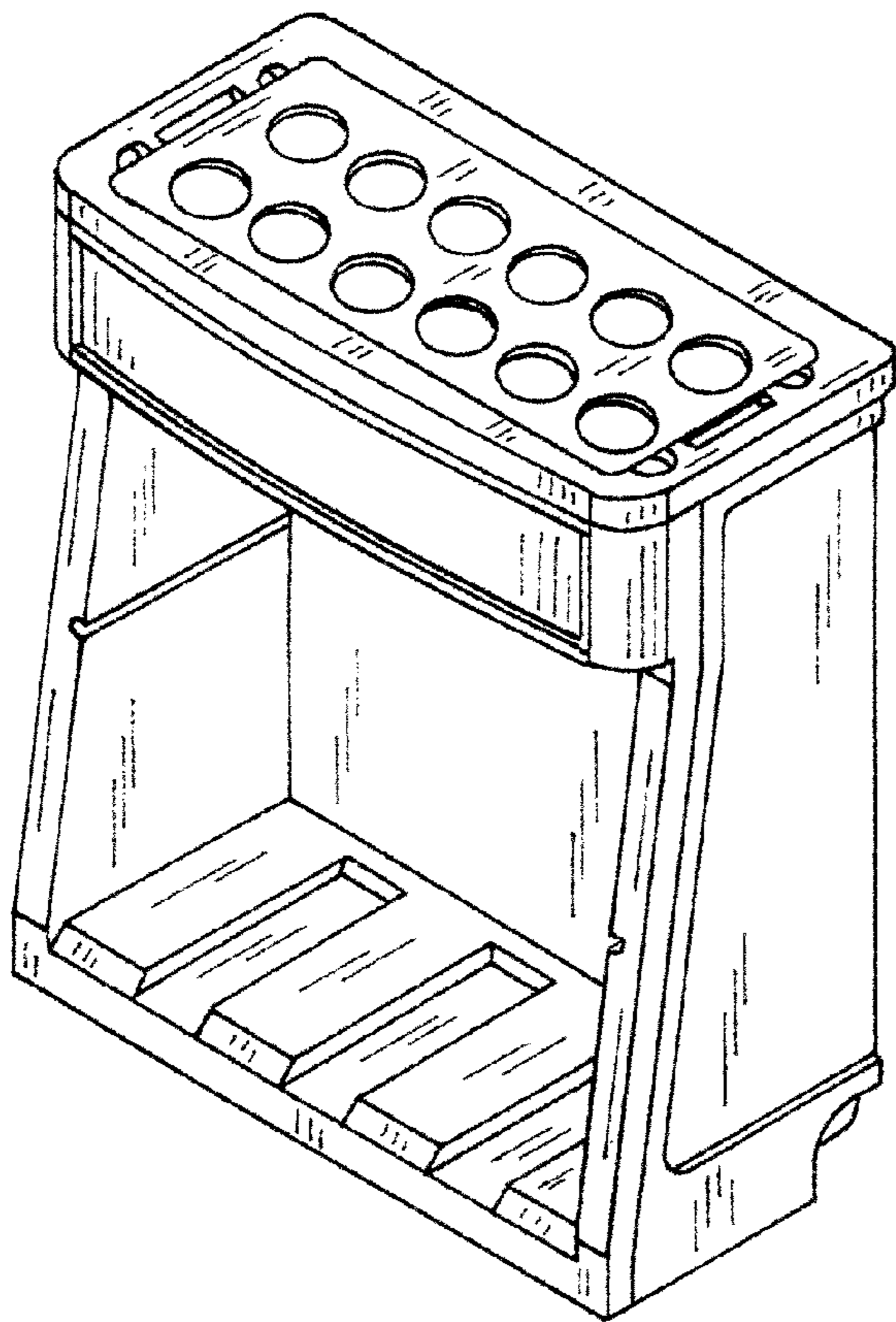


Fig. 1

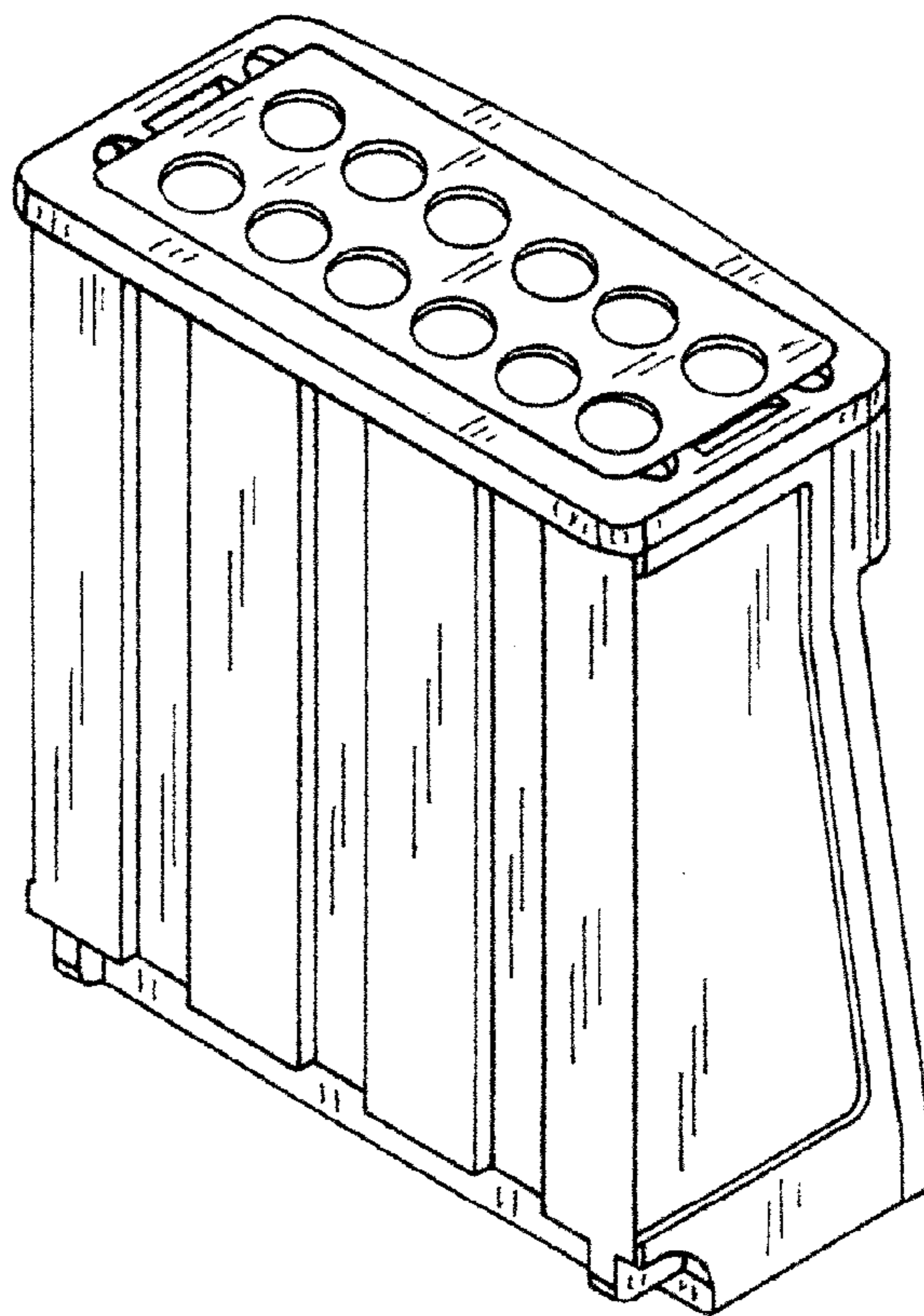


Fig. 2

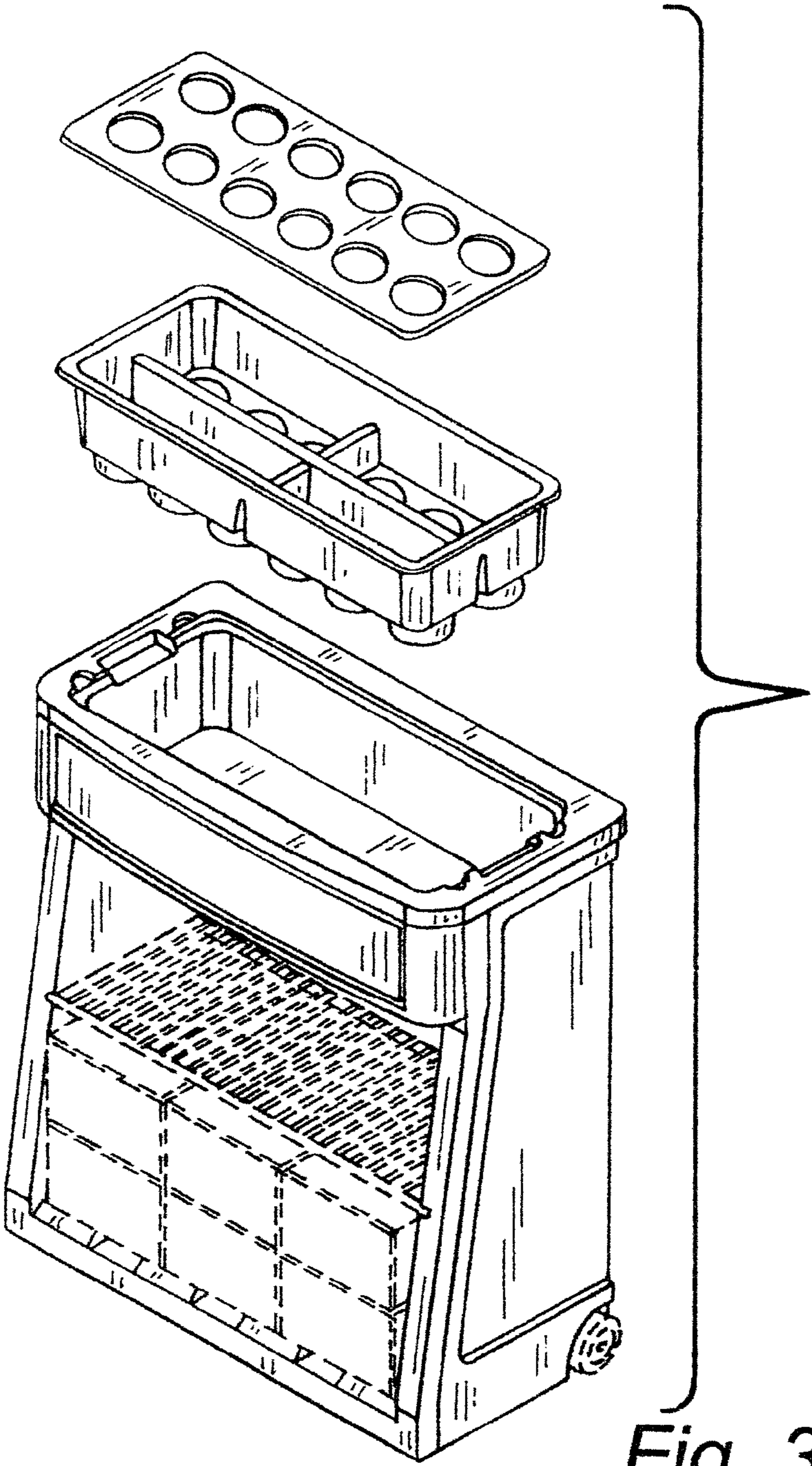


Fig. 3

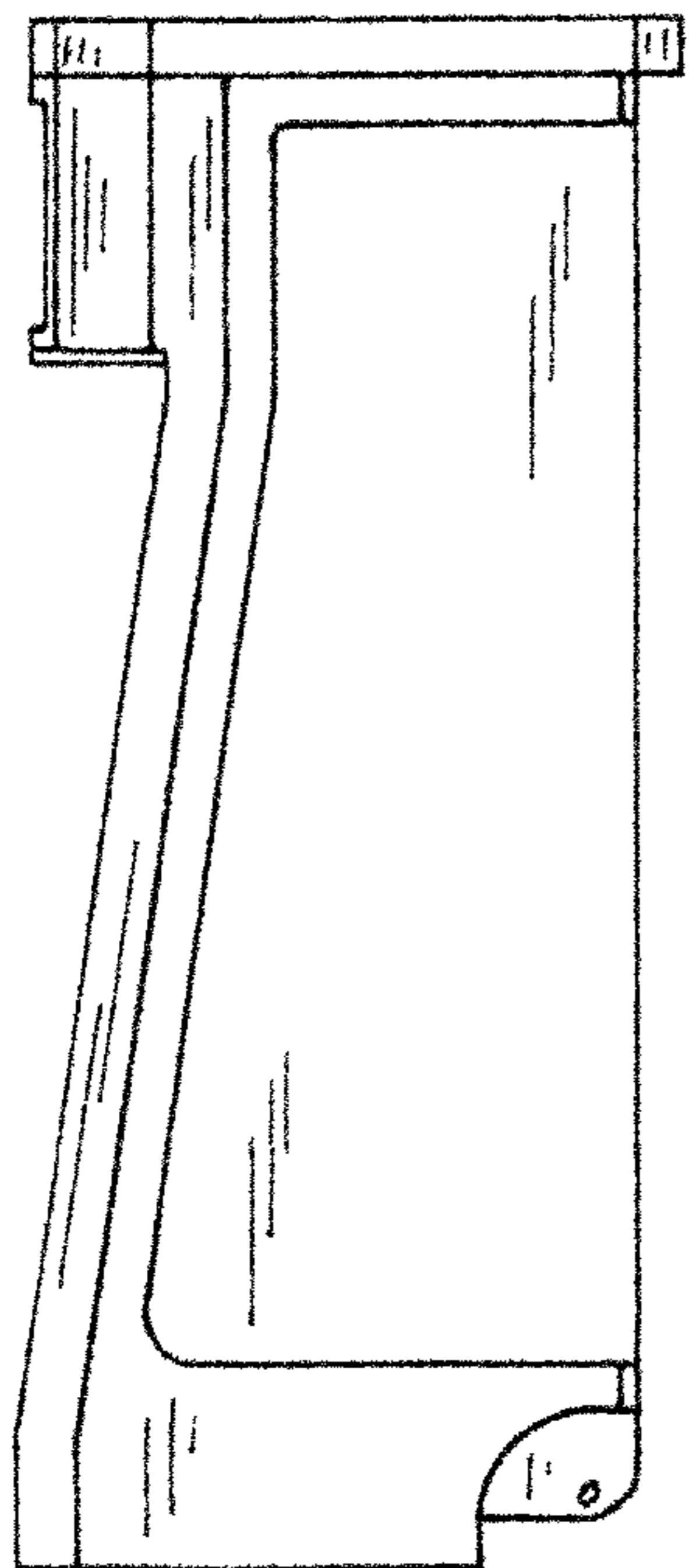


Fig. 4

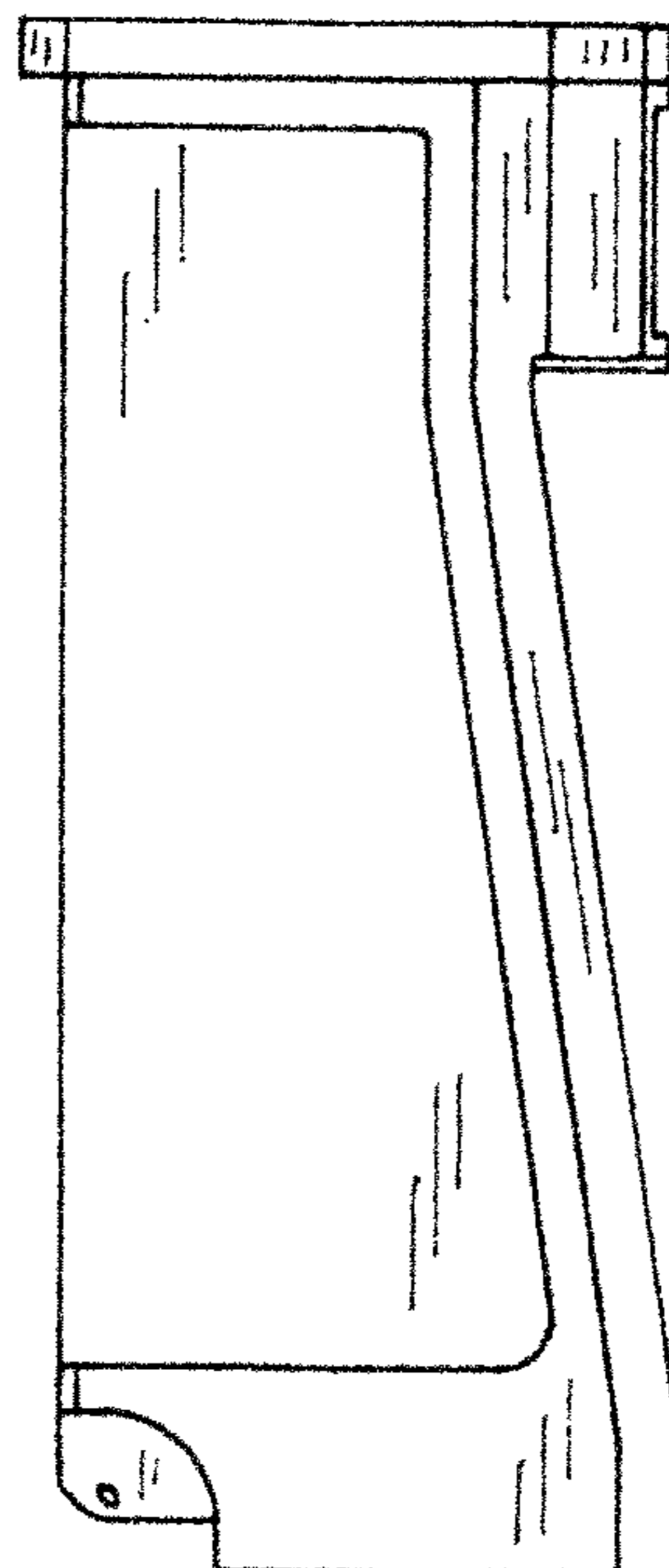


Fig. 5

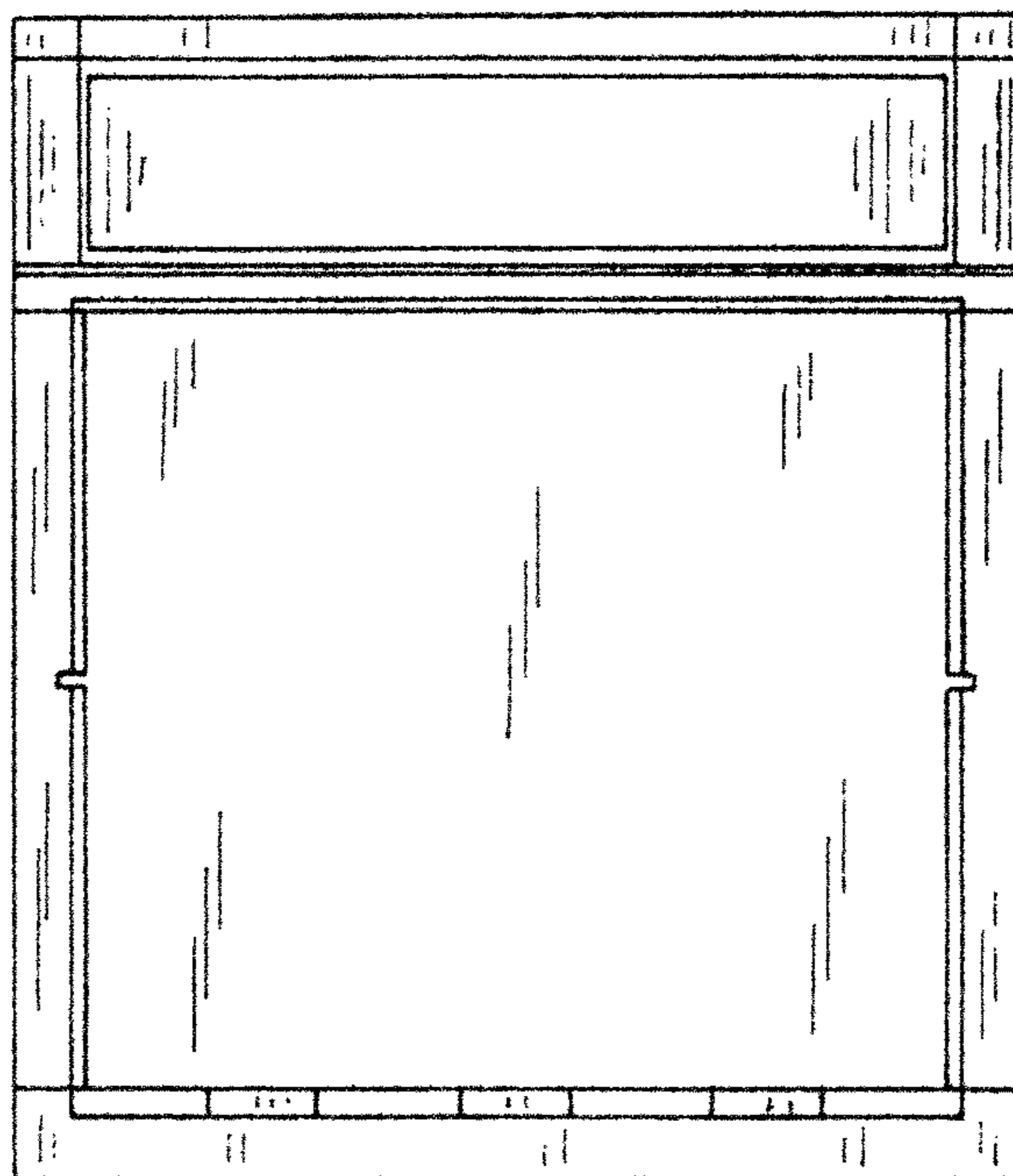


Fig. 6

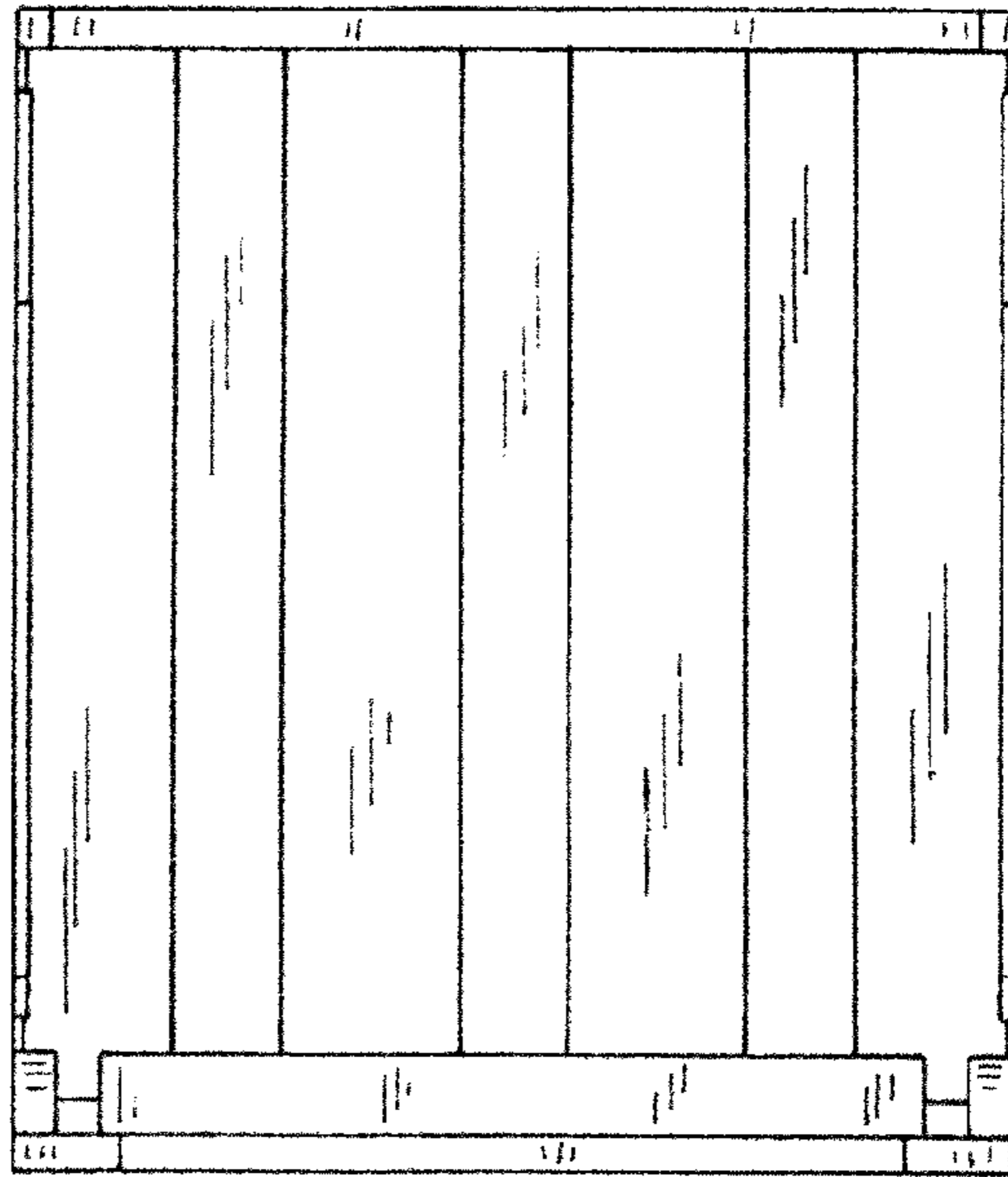


Fig. 7

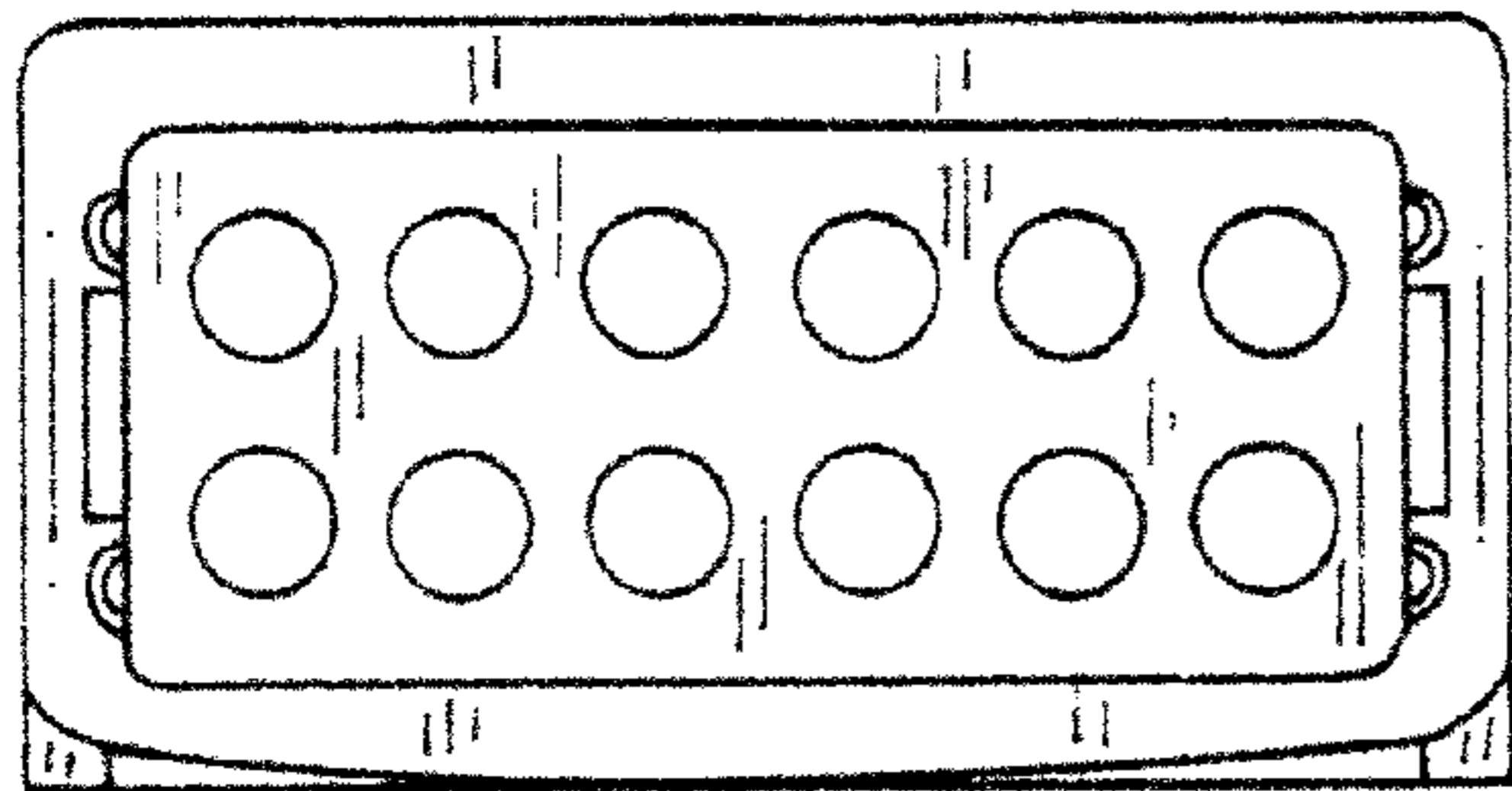


Fig. 8

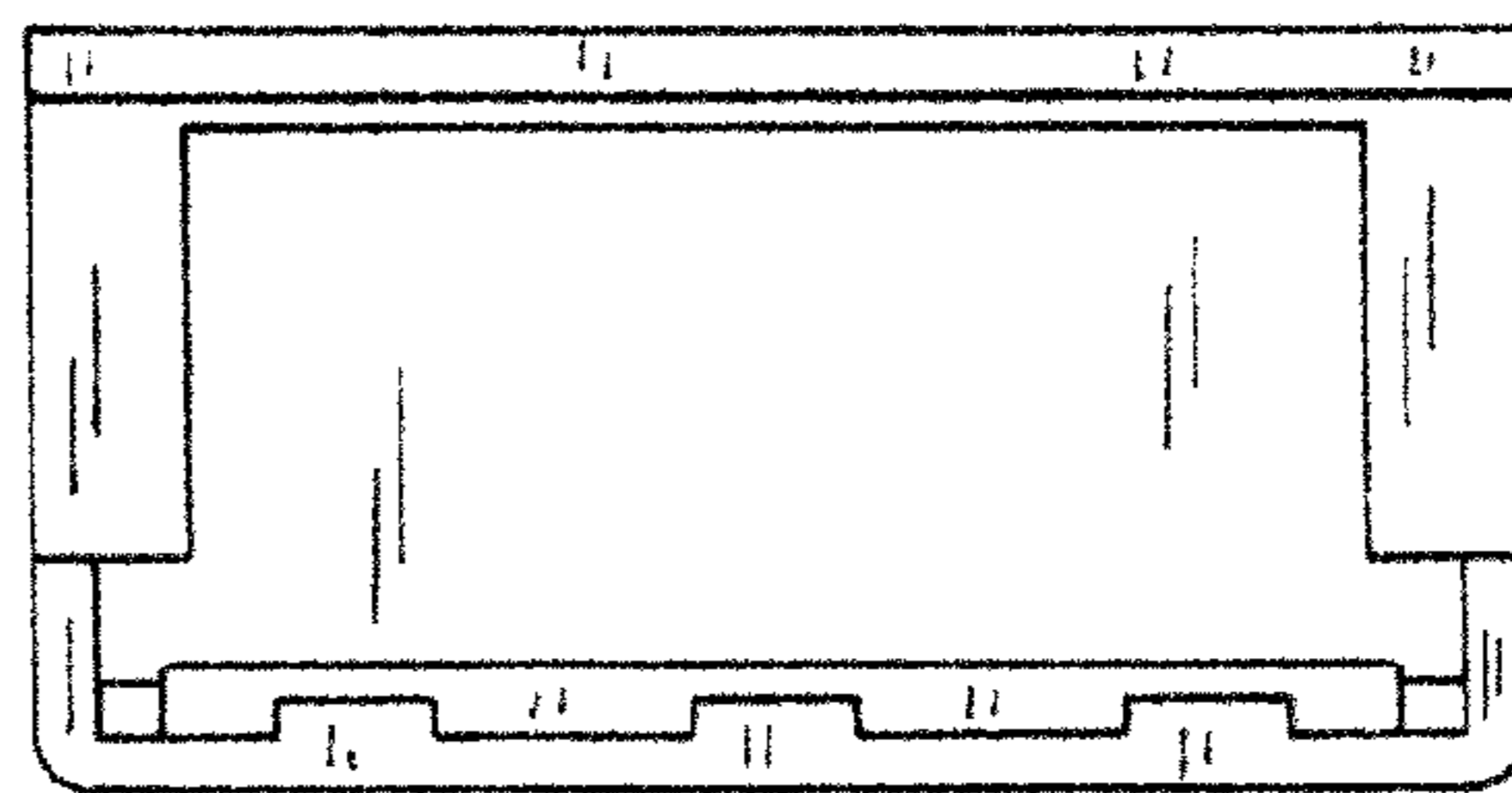


Fig. 9