



US00D688069S

(12) **United States Design Patent**
Henderson et al.

(10) **Patent No.:** **US D688,069 S**
(45) **Date of Patent:** **** Aug. 20, 2013**

- (54) **MATTRESS BED CUSHION**
- (71) Applicants: **Randal Lee Henderson**, Zebulon, NC (US); **Stephen C. Kokenes**, Raleigh, NC (US); **Julian Thomas Young**, Zebulon, NC (US); **Mark Stearley**, Cary, NC (US); **Edouard Lauer**, Zebulon, NC (US)
- (72) Inventors: **Randal Lee Henderson**, Zebulon, NC (US); **Stephen C. Kokenes**, Raleigh, NC (US); **Julian Thomas Young**, Zebulon, NC (US); **Mark Stearley**, Cary, NC (US); **Edouard Lauer**, Zebulon, NC (US)
- (73) Assignee: **Noel Group LLC**, Zebulon, NC (US)
- (**) Term: **14 Years**
- (21) Appl. No.: **29/436,786**
- (22) Filed: **Nov. 9, 2012**

Related U.S. Application Data

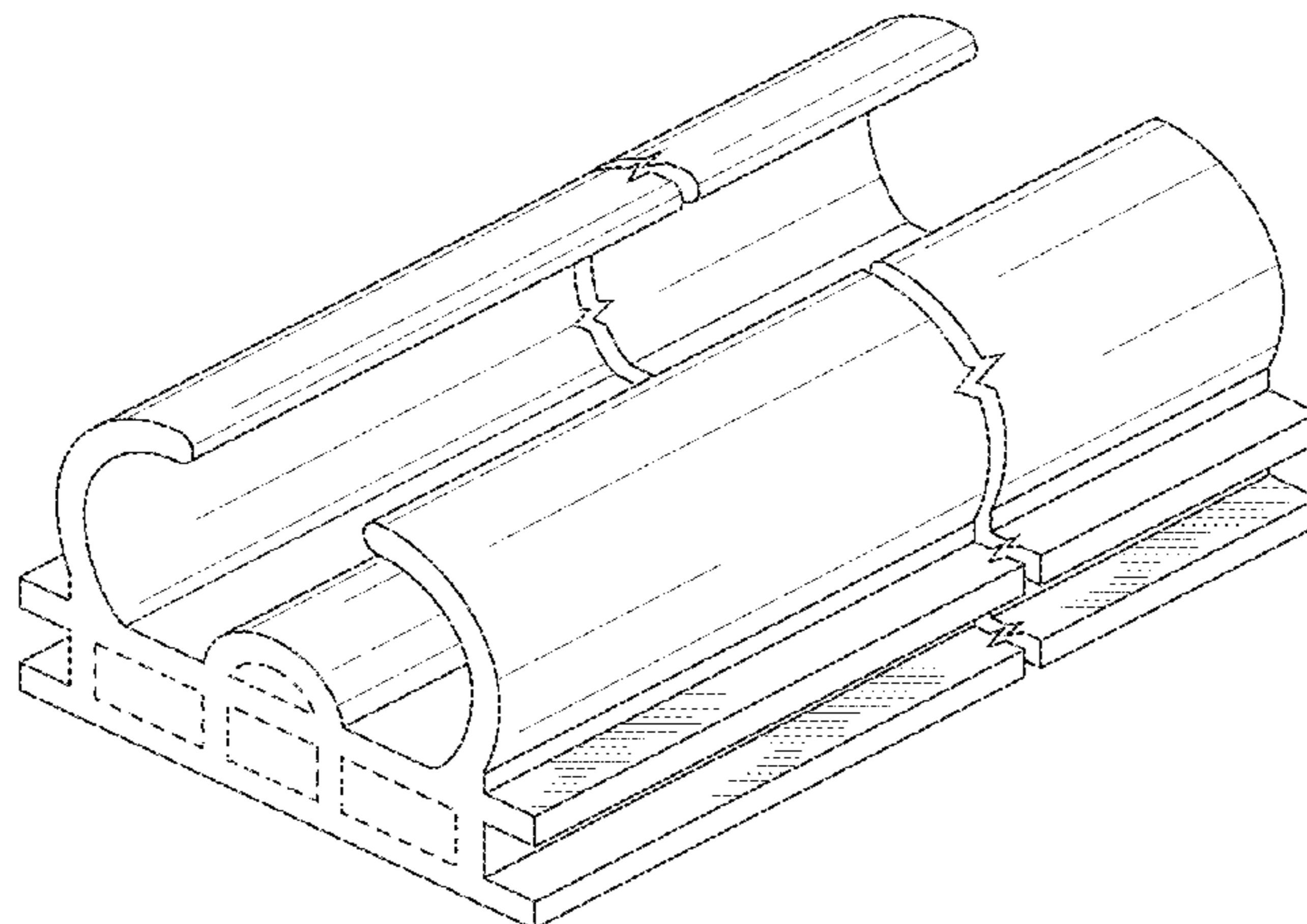
- (62) Division of application No. 13/458,239, filed on Apr. 27, 2012, which is a division of application No. 13/630,435, filed on Sep. 28, 2012.
- (51) **LOC (9) Cl.** **06-09**
- (52) **U.S. Cl.**
USPC **D6/606; D6/601**
- (58) **Field of Classification Search**
USPC **D6/601, 605, 606; 5/716, 717, 727, 5/720, 740; 267/153; D25/119-125, 136**
See application file for complete search history.

References Cited

U.S. PATENT DOCUMENTS

831,441 A	9/1906	Johnson
1,579,074 A	3/1926	Burton
1,930,285 A	10/1933	Robinson
2,192,516 A	3/1940	Cunnington
2,241,644 A	5/1941	Nichols et al.
2,369,000 A	2/1945	Page

2,429,508 A	10/1947	Belaieff
2,604,642 A	7/1952	Marco
2,659,418 A	11/1953	Berman
2,682,125 A	6/1954	Coffield
2,835,313 A	5/1958	Dodge
2,835,906 A	5/1958	Robbins
2,917,807 A	12/1959	Scholl
2,955,056 A	10/1960	Knox
3,026,544 A	3/1962	Persicke et al.
3,047,888 A	8/1962	Shecter et al.
3,061,460 A	10/1962	Schickedanz
3,107,377 A	10/1963	Nathan
3,114,722 A	12/1963	Einhorn et al.
3,188,665 A	6/1965	Snyder
3,222,697 A	12/1965	Scheermesser
3,283,357 A	11/1966	Decker et al.
3,287,748 A	11/1966	Thomas et al.
3,319,272 A	5/1967	Eller
3,483,069 A	12/1969	Cairns et al.
3,531,552 A	9/1970	Getz et al.
3,551,924 A	1/1971	Frye, Sr.
3,591,444 A	7/1971	Hoppe
3,607,596 A	9/1971	Fairbanks
3,607,797 A	9/1971	Rubens et al.
3,627,622 A	12/1971	Vega
3,691,569 A	9/1972	Ikada
3,728,206 A	4/1973	Buese
3,813,462 A	5/1974	Roberts
3,846,857 A	11/1974	Weinstock
3,878,133 A	4/1975	Rubens
3,922,429 A	11/1975	Welch et al.
3,989,781 A	11/1976	Chant
4,051,210 A	9/1977	Wallenberger
D247,373 S	2/1978	Puccio
4,073,020 A	2/1978	Stalter et al.
4,106,139 A	8/1978	Southard
4,110,857 A	9/1978	Banister
4,134,166 A	1/1979	Schuder
4,143,435 A	3/1979	Masuda
4,146,562 A	3/1979	Fukushima et al.
4,159,355 A	6/1979	Kaufman
4,169,184 A	9/1979	Pufahl
4,213,214 A	7/1980	Gilhooly
4,224,374 A	9/1980	Priest
4,230,521 A	10/1980	Cobb et al.
4,260,660 A	4/1981	McCarter
4,276,107 A	6/1981	Pufahl
4,279,953 A	7/1981	Barden et al.
4,281,197 A	7/1981	Oblinger
4,348,243 A	9/1982	Craubner
4,350,734 A	9/1982	Hammond
4,393,116 A	7/1983	Taylor
4,397,053 A	8/1983	Fanti



US D688,069 S

4,432,110 A	2/1984	Sutton	5,945,461 A	8/1999	Gosiewski et al.
4,438,221 A	3/1984	Fracalossi et al.	5,960,497 A	10/1999	Castellino et al.
4,524,473 A	6/1985	Fanti	5,977,271 A	11/1999	McKay et al.
4,525,386 A	6/1985	Weisman	5,987,668 A	11/1999	Ackley
4,537,825 A	8/1985	Yardley	D418,394 S	1/2000	King
4,569,861 A	2/1986	Smith et al.	6,026,527 A	2/2000	Pearce et al.
4,603,445 A	8/1986	Spann	6,108,835 A	8/2000	Hwang et al.
4,618,517 A	10/1986	Simko, Jr.	6,129,978 A	10/2000	Caldwell
4,620,337 A	11/1986	Williams et al.	6,132,323 A	10/2000	Smith et al.
4,631,768 A	12/1986	Ferrall	6,139,956 A	10/2000	Endoh et al.
4,683,246 A	7/1987	Davis et al.	6,212,720 B1	4/2001	Antinori et al.
4,700,447 A	10/1987	Spann	6,237,173 B1	5/2001	Schlichter et al.
4,713,854 A	12/1987	Graebe	6,258,310 B1	7/2001	Sardanopoli et al.
4,722,158 A	2/1988	Urdaneta	6,262,137 B1	7/2001	Kozma et al.
4,741,058 A	5/1988	Williams et al.	6,284,346 B1	9/2001	Sheridan
4,755,408 A	7/1988	Noel	6,306,235 B1	10/2001	Henderson
4,780,167 A	10/1988	Hill	6,309,235 B1	10/2001	Argaut
4,796,316 A	1/1989	Boselli	6,317,912 B1	11/2001	Graebe et al.
4,828,325 A	5/1989	Brooks	6,323,251 B1	11/2001	Perez et al.
4,837,060 A	6/1989	Bambara et al.	6,406,780 B1	6/2002	Sutherland
4,837,881 A	6/1989	Kondo et al.	6,425,153 B1	7/2002	Reswick
4,879,776 A	11/1989	Farley	6,537,405 B1	3/2003	Henderson et al.
4,952,450 A	8/1990	Noel	6,555,214 B1	4/2003	Yates
D310,460 S	9/1990	Vergnano	6,574,814 B2	6/2003	Collard et al.
4,955,096 A	9/1990	Gilroy et al.	6,596,389 B1	7/2003	Hallett et al.
4,957,798 A	9/1990	Bogdany	6,612,556 B2	9/2003	Petrina
4,966,919 A	10/1990	Williams, Jr. et al.	6,643,876 B2	11/2003	Visser et al.
4,972,535 A	11/1990	Goldman	6,658,683 B2	12/2003	Parvin
4,997,804 A	3/1991	Pekala	6,687,935 B2	2/2004	Reeder et al.
4,999,868 A	3/1991	Kraft	6,691,482 B1	2/2004	Ault
5,022,111 A	6/1991	Fenner	6,701,551 B1	3/2004	Antinori
5,031,261 A	7/1991	Fenner, Sr.	6,740,381 B2	5/2004	Day et al.
5,037,859 A	8/1991	Williams, Jr. et al.	6,743,830 B2	6/2004	Soane et al.
5,038,433 A	8/1991	Farley	6,807,698 B2	10/2004	Torbet et al.
5,047,436 A	9/1991	Hill et al.	6,866,915 B2	3/2005	Landvik
5,070,560 A	12/1991	Wilkinson	6,920,287 B1	7/2005	Hinds et al.
5,083,335 A	1/1992	Krouskop et al.	6,949,588 B2	9/2005	Park
5,086,084 A	2/1992	Michaelson	6,967,833 B2	11/2005	Boykin et al.
5,087,514 A	2/1992	Graefe	7,045,206 B1	5/2006	Granata et al.
5,098,778 A	3/1992	Minnick	7,059,001 B2	6/2006	Wolfson
5,114,773 A	5/1992	Bogdany et al.	7,076,822 B2	7/2006	Pearce
5,118,555 A	6/1992	Horovitz	7,086,108 B1	8/2006	Litvak
5,132,549 A	7/1992	Allan et al.	7,090,911 B2	8/2006	Lascalles
5,136,740 A	8/1992	Kraft et al.	7,093,619 B2	8/2006	Watanabe et al.
5,138,730 A	8/1992	Masuda	7,108,252 B2	9/2006	Jayakumaran
5,206,082 A	4/1993	Malone	7,159,620 B2	1/2007	Kissell
5,248,550 A	9/1993	Turpin et al.	7,166,646 B2	1/2007	Loh et al.
5,272,001 A	12/1993	Weisman et al.	7,173,070 B2	2/2007	Koffler
5,274,846 A	1/1994	Kolsky et al.	7,191,483 B2	3/2007	Hochschild
5,280,890 A	1/1994	Wydra	7,281,917 B2	10/2007	Hannen
5,327,597 A	7/1994	Rothbard	7,285,316 B2	10/2007	Meyer-Ahrens et al.
5,366,999 A	11/1994	Giez et al.	7,334,280 B1	2/2008	Swartzburg
5,389,317 A	2/1995	Grimmer	7,386,903 B2	6/2008	Hochschild
5,395,860 A	3/1995	Leung et al.	7,393,577 B2	7/2008	Day et al.
5,415,822 A	5/1995	Cook	7,426,767 B2	9/2008	Mossbeck
5,418,257 A	5/1995	Weisman et al.	D579,586 S	10/2008	Mattingly
5,430,901 A	7/1995	Farley	7,452,585 B1	11/2008	Wong et al.
5,451,451 A	9/1995	Minnick	7,490,819 B2	2/2009	Molitor
5,488,746 A	2/1996	Hudson	7,491,753 B2	2/2009	Krishnan
5,491,852 A	2/1996	Maucher	7,496,981 B2	3/2009	Alonso Cucurull
5,492,662 A	2/1996	Kargol et al.	7,607,911 B2	10/2009	Sperry et al.
5,494,627 A	2/1996	Kargol et al.	7,793,372 B2	9/2010	Lean et al.
5,513,402 A	5/1996	Schwartz	7,794,827 B2	9/2010	Palmer et al.
5,544,908 A	8/1996	Fezio	7,845,035 B2	12/2010	Letton et al.
5,642,557 A *	7/1997	Clews 24/339	D640,535 S *	6/2011	Austro D8/382
5,643,139 A	7/1997	Stout et al.	8,034,445 B2	10/2011	Landvik et al.
5,686,167 A	11/1997	Rudy	8,127,383 B2	3/2012	Gladney et al.
5,701,623 A	12/1997	May	D663,152 S	7/2012	Shive
5,721,035 A	2/1998	Dunn	8,307,482 B2	11/2012	Gladney et al.
5,740,574 A	4/1998	Piraino et al.	D673,402 S	1/2013	Kuzyk
5,755,901 A	5/1998	Ormachea	D675,051 S	1/2013	Sobran et al.
5,801,211 A	9/1998	Tornero et al.	8,356,373 B2	1/2013	Allman et al.
5,806,796 A	9/1998	Healey	D675,856 S *	2/2013	Yiannaki D6/606
D401,451 S	11/1998	Sherman	8,418,297 B2	4/2013	Mikkelsen et al.
D406,051 S *	2/1999	Ross D8/395	2001/0029632 A1	10/2001	Parvin
5,869,172 A	2/1999	Caldwell et al.	2001/0044972 A1	11/2001	Kutsch
5,876,652 A	3/1999	Rorabaugh et al.	2002/0054996 A1	5/2002	Rheenen
5,919,413 A	7/1999	Avila	2002/0162173 A1	11/2002	Formenti
5,944,389 A	8/1999	Zenba et al.	2002/0185905 A1	12/2002	Cassinelli

2003/0177584 A1 9/2003 Boyd
 2003/0194546 A1 10/2003 McCabe
 2003/0207634 A1 11/2003 Holeschovsky
 2004/0010855 A1 1/2004 Piraino
 2004/0126558 A1 7/2004 Williams et al.
 2004/0133987 A1 7/2004 Reeder et al.
 2004/0137212 A1 7/2004 Ochoa et al.
 2004/0172766 A1 9/2004 Formenti
 2004/0187217 A1 9/2004 Barman et al.
 2005/0115003 A1 6/2005 Torbet et al.
 2005/0188467 A1 9/2005 Woolfson
 2005/0192368 A1 9/2005 Miller et al.
 2006/0068169 A1 3/2006 Hanada et al.
 2006/0123553 A1 6/2006 Jansen
 2006/0127648 A1 6/2006 De Luca
 2006/0194892 A1 8/2006 Ramesh et al.
 2006/0195988 A1 9/2006 Gladney
 2006/0272098 A1 12/2006 Hochschild
 2006/0290039 A1 12/2006 Cao et al.
 2007/0022540 A1 2/2007 Hochschild
 2007/0044906 A1 3/2007 Park
 2007/0094801 A1 5/2007 Kuo
 2007/0221890 A1 9/2007 Gan
 2007/0289069 A1 12/2007 Wells
 2008/0014387 A1 1/2008 Murphy et al.
 2008/0201860 A1 8/2008 Malzl
 2008/0299379 A1 12/2008 Maurer et al.
 2008/0313815 A1 12/2008 Guesquiere
 2009/0011203 A1 1/2009 Mock et al.
 2009/0013472 A1 1/2009 Koffler et al.
 2009/0047495 A1 2/2009 Hubbs
 2009/0139033 A1 6/2009 Gladney
 2009/0142551 A1 6/2009 Fox et al.
 2009/0183314 A1 7/2009 Demoss
 2009/0291290 A1 11/2009 Zhang et al.
 2010/0018347 A1 1/2010 Holden et al.
 2010/0021690 A1 1/2010 McCarthy
 2010/0030316 A1 2/2010 Prindle et al.
 2010/0047550 A1 2/2010 Prissok et al.
 2010/0143652 A1 6/2010 Stockton et al.
 2010/0218319 A1 9/2010 Moule et al.
 2010/0221521 A1 9/2010 Wagner et al.
 2010/0223732 A1 9/2010 Allman et al.
 2010/0223734 A1 9/2010 Oh
 2010/0237082 A1 9/2010 Fernandez
 2010/0304104 A1 12/2010 Nagasaki et al.
 2010/0319137 A1 12/2010 Witherell et al.
 2010/0325806 A1 12/2010 Letton et al.
 2011/0049327 A1 3/2011 Young et al.
 2011/0179579 A1 7/2011 Henderson et al.
 2011/0197363 A1 8/2011 Kokenes et al.
 2012/0180225 A1 7/2012 Gladney et al.
 2012/0233784 A1 9/2012 Wood
 2012/0272457 A1 11/2012 Allman et al.
 2012/0284928 A1 11/2012 Henderson et al.
 2013/0089791 A1 4/2013 Saunders et al.

FOREIGN PATENT DOCUMENTS

CN 2137475 Y 7/1993
 CN 2302709 Y 1/1999
 CN 1233444 A 11/1999
 CN 2432041 Y 5/2001
 CN 2841067 Y 11/2006
 DE 3937214 A1 5/1991
 EP 0349620 A1 1/1990
 EP 0209453 B2 9/1993
 EP 0996654 B1 5/2000
 EP 1825996 A1 8/2007
 EP 1865812 A1 12/2007
 EP 1914274 A1 4/2008
 EP 2095745 A1 9/2009
 EP 2247223 B1 3/2013
 GB 1423541 A 2/1976
 GB 2225229 A 5/1990
 WO 9514136 A1 5/1995
 WO 9522922 A1 8/1995
 WO 02075203 A1 9/2002
 WO 02077513 A1 10/2002
 WO 2004041659 A2 5/2004

WO 2008100728 A2 8/2008
 WO 2009014657 A1 1/2009
 WO 2010075231 A1 7/2010
 WO 2011150080 A1 12/2011
 WO 2012033985 A1 3/2012
 WO 2012076978 A1 6/2012
 WO 2012094466 A1 7/2012
 WO 2012094468 A1 7/2012
 WO 2012145320 A1 10/2012
 WO 2012155131 A1 11/2012
 WO 2012155132 A1 11/2012
 WO 2013012904 A1 1/2013
 WO 2013040543 A2 3/2013
 WO 2013059767 A1 4/2013

OTHER PUBLICATIONS

International Search Report for PCT/US2010/040003 mailed Aug. 30, 2010, 10 pages.
 Non-final Office Action for U.S. Appl. No. 12/893,265 mailed May 15, 2012, 15 pages.
 Chinese Office Action for patent application 20102187662.1 mailed Oct. 21, 2010, 3 pages.
 Non-final Office Action for U.S. Appl. No. 12/823,653 mailed Mar. 7, 2012, 6 pages.
 Kelpmner, Daniel et al., "3.3 Open- and Closed-Cell Foamed Plastics," in Handbook of Polymeric Foam and Foam Technology, Second Edition, Hanser Gardner Publications, Inc., Cincinnati, OH, Apr. 2004, pp. 22, 39 and 59.
 Smock, D., "One-step SkinForm process went live at NPE2012," Plasticstoday.com, Apr. 13, 2012, 2 pages, Accessed Apr. 18, 2012.
 European Search Report for European Patent Application No. 10749317.3 mailed Oct. 30, 2012, 7 pages.
 International Preliminary Report on Patentability for PCT/US2011/024759 mailed Aug. 14, 2012, 8 pages.
 International Search Report and Written Opinion for PCT/US2011/024759 mailed Apr. 7, 2011, 12 pages.
 International Search Report for PCT/US2012/057917 mailed Dec. 21, 2012, 11 pages.
 Non-final Office Action for U.S. Appl. No. 12/716,804 mailed Jun. 21, 2012, 10 pages.
 Notice of Allowance for U.S. Appl. No. 12/716,804 mailed Dec. 11, 2012, 9 pages.
 Non-final Office Action for U.S. Appl. No. 29/413,103 mailed Jan. 8, 2013, 5 pages.
 Invitation to Pay Additional Fees for PCT/US2012/035564 mailed Jan. 17, 2013, 7 pages.
 International Search Report for PCT/US2012/035564 mailed Mar. 26, 2013, 13 pages.
 Notice of Allowance for U.S. Appl. No. 29/436,783, mailed Mar. 14, 2013, 6 pages.
 Non-final Office Action for U.S. Appl. No. 29/436,793, mailed Mar. 15, 2013, 5 pages.
 Non-final Office Action for U.S. Appl. No. 29/436,801, mailed Mar. 15, 2013, 6 pages.
 Non-final Office Action for U.S. Appl. No. 29/436,831, mailed Mar. 15, 2013, 5 pages.
 Non-final Office Action U.S. Appl. No. 29/436,833, mailed Mar. 15, 2013, 5 pages.
 Non-final Office Action for U.S. Appl. No. 29/436,847, mailed Mar. 15, 2013, 5 pages.
 Non-final Office Action for U.S. Appl. No. 29/436,860, mailed Mar. 15, 2013, 5 pages.
 Final Office Action for U.S. Appl. No. 12/893,265, mailed Mar. 15, 2013, 12 pages.
 Notice of Allowance for U.S. Appl. No. 29/436,781, mailed Mar. 19, 2013, 7 pages.
 Non-final Office Action U.S. Appl. No. 29/436,792, mailed Mar. 19, 2013, 5 pages.
 Non-final Office Action for U.S. Appl. No. 29/436,806, mailed Mar. 21, 2013, 6 pages.
 Notice of Allowance for U.S. Appl. No. 29/436,781, mailed May 24, 2013, 8 pages.

Notice of Allowance for U.S. Appl. No. 29/436,782, mailed May 24, 2013, 8 pages.
Notice of Allowance for U.S. Appl. No. 29/436,783, mailed May 28, 2013, 8 pages.
Notice of Allowance for U.S. Appl. No. 29/436,787, mailed May 13, 2013, 8 pages.
Notice of Allowance for U.S. Appl. No. 29/436,790, mailed May 28, 2013, 8 pages.
Non-final Office Action for U.S. Appl. No. 29/436,795, mailed May 23, 2013, 6 pages.
Non-final Office Action for U.S. Appl. No. 29/436,799, mailed May 23, 2013, 6 pages.
Non-final Office Action for U.S. Appl. No. 29/436,842, mailed May 23, 2013, 6 pages.
Notice of Allowance for U.S. Appl. No. 29/413,103, mailed May 2, 2013, 7 pages.
Non-final Office Action for U.S. Appl. No. 29/426,274, mailed May 14, 2013, 4 pages.
Non-final Office Action for U.S. Appl. No. 13/026,979, mailed May 17, 2013, 11 pages.
Canadian Office Action for Canadian Patent application 2,783,886, mailed Mar. 21, 2013, 3 pages.
Official Action for Mexican patent application MX/a/2011/009080 mailed Mar. 22, 2013, 6 pages.

* cited by examiner

Primary Examiner — Janice Seeger
(74) *Attorney, Agent, or Firm* — Withrow & Terranova, PLLC

(57) **CLAIM**

The ornamental design for mattress bed cushion, as shown and described.

DESCRIPTION

FIG. 1 is a top perspective view of an exemplary mattress bed cushion;
FIG. 2 is a top view of the mattress bed cushion of FIG. 1;
FIG. 3 is a bottom view of the mattress bed cushion of FIG. 1;
FIG. 4 is a left side view of the mattress bed cushion of FIG. 1, and a right side view is identical thereto;

FIG. 5 is a front view of the mattress bed cushion of FIG. 1, and a rear view is identical thereto;
FIG. 6 is a sectional top perspective view of the exemplary mattress bed cushion of FIG. 1;
FIG. 7 is a sectional top view of the mattress bed cushion of FIG. 1;
FIG. 8 is a sectional bottom view of the mattress bed cushion of FIG. 1;
FIG. 9 is a sectional left side view of the mattress bed cushion of FIG. 1, and a sectional right side view is identical thereto;
FIG. 10 is a sectional front view of the mattress bed cushion of FIG. 1, and a sectional rear view is identical thereto;
FIG. 11 is a top perspective view of another exemplary mattress bed cushion;
FIG. 12 is a top view of the mattress bed cushion of FIG. 11;
FIG. 13 is a bottom view of the mattress bed cushion of FIG. 11;
FIG. 14 is a left side view of the mattress bed cushion of FIG. 11, and a right side view is identical thereto;
FIG. 15 is a front view of the mattress bed cushion of FIG. 11, and a rear view is identical thereto;
FIG. 16 is a sectional top perspective view of the exemplary mattress bed cushion of FIG. 11;
FIG. 17 is a sectional top view of the mattress bed cushion of FIG. 11;
FIG. 18 is a sectional bottom view of the mattress bed cushion of FIG. 11;
FIG. 19 is a sectional left side view of the mattress bed cushion of FIG. 11, and a sectional right side view is identical thereto; and,
FIG. 20 is a sectional front view of the mattress bed cushion of FIG. 11, and a sectional rear view is identical thereto.
The mattress bed cushion is shown with symbolic breaks in its length and width. The appearance of any portion of the article between the break lines forms no part of the claimed design. Broken lines in the drawings are for illustrative purposes only and do not form part of the claimed design.

1 Claim, 18 Drawing Sheets

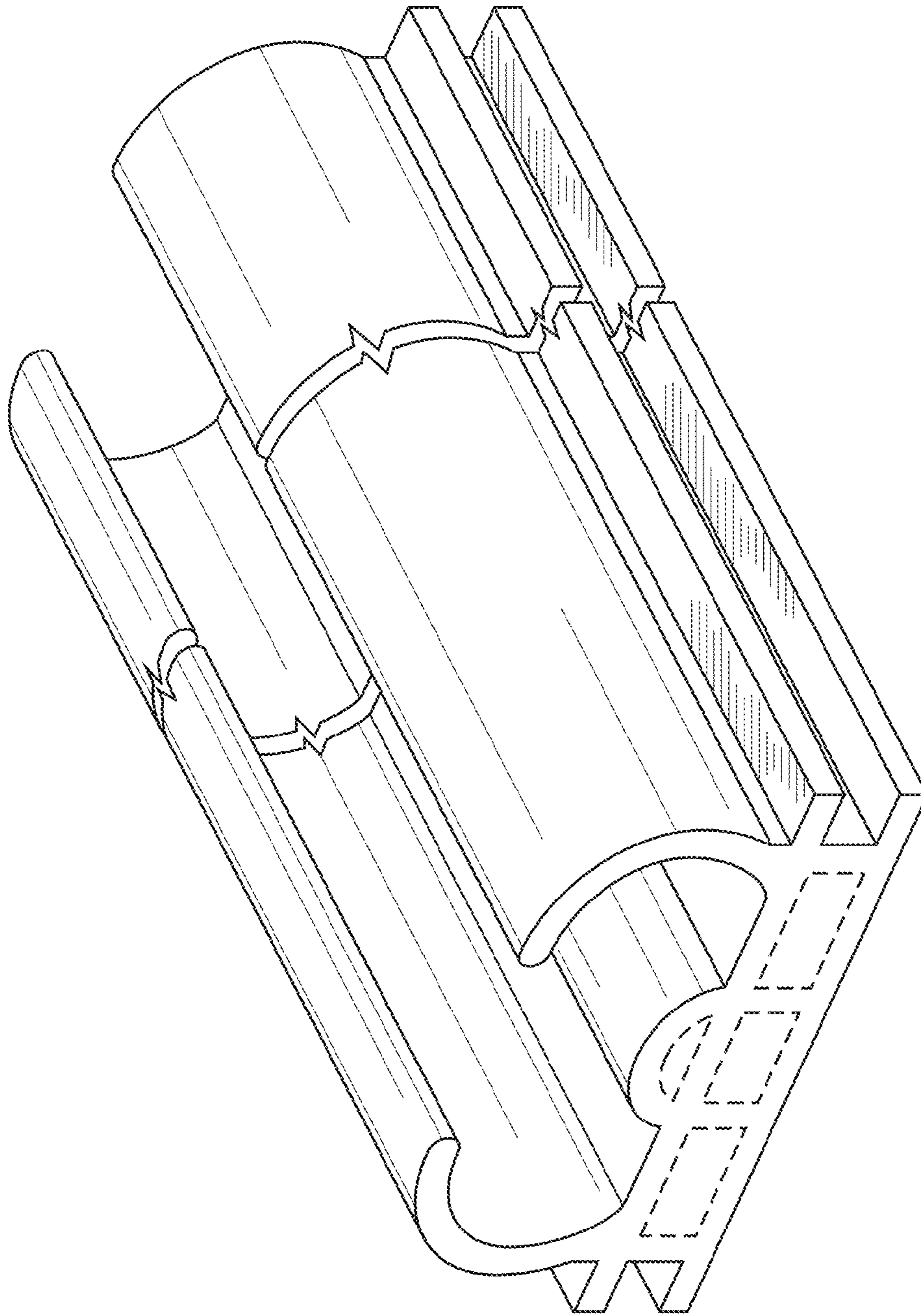


FIG. 1

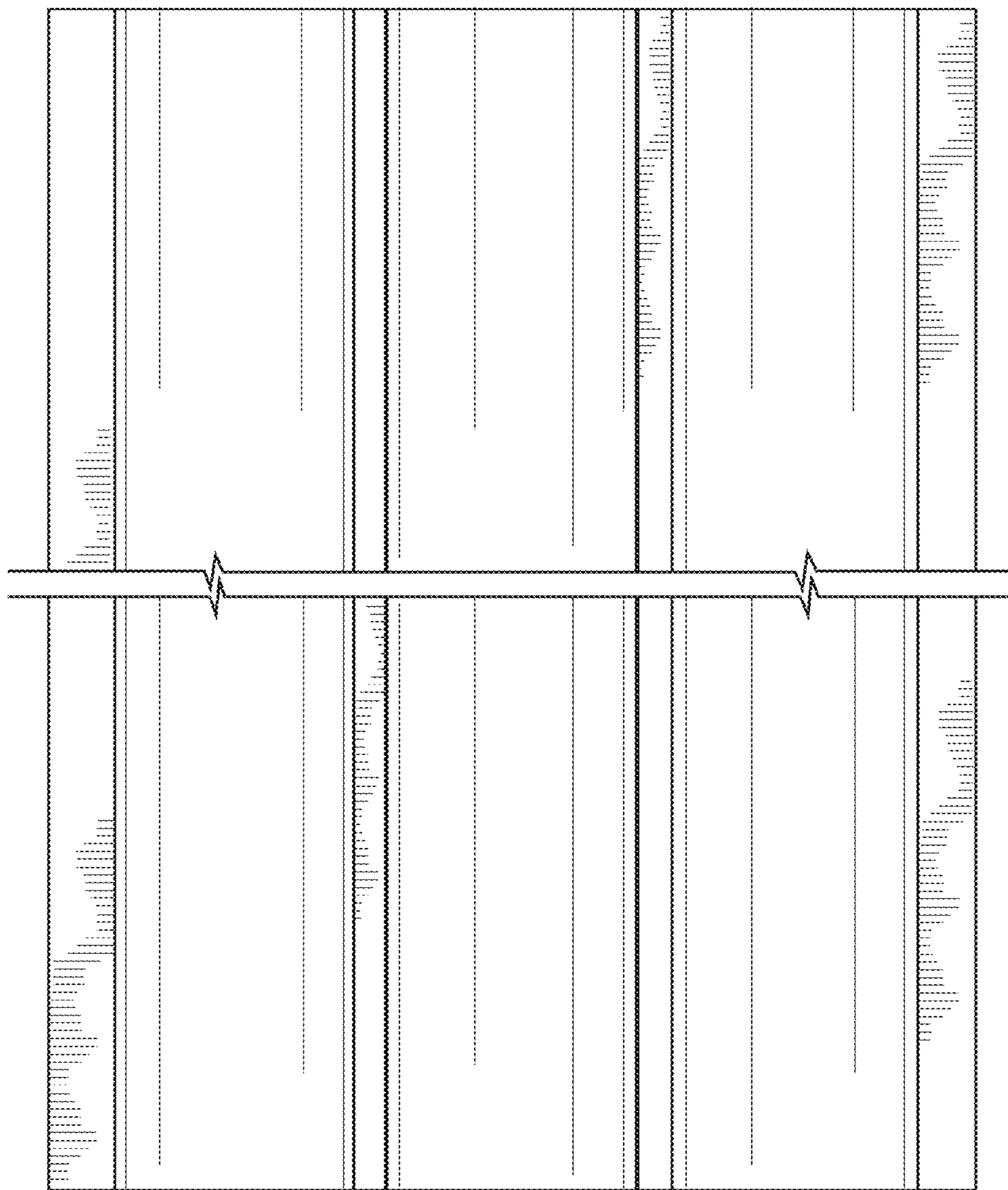


FIG. 2

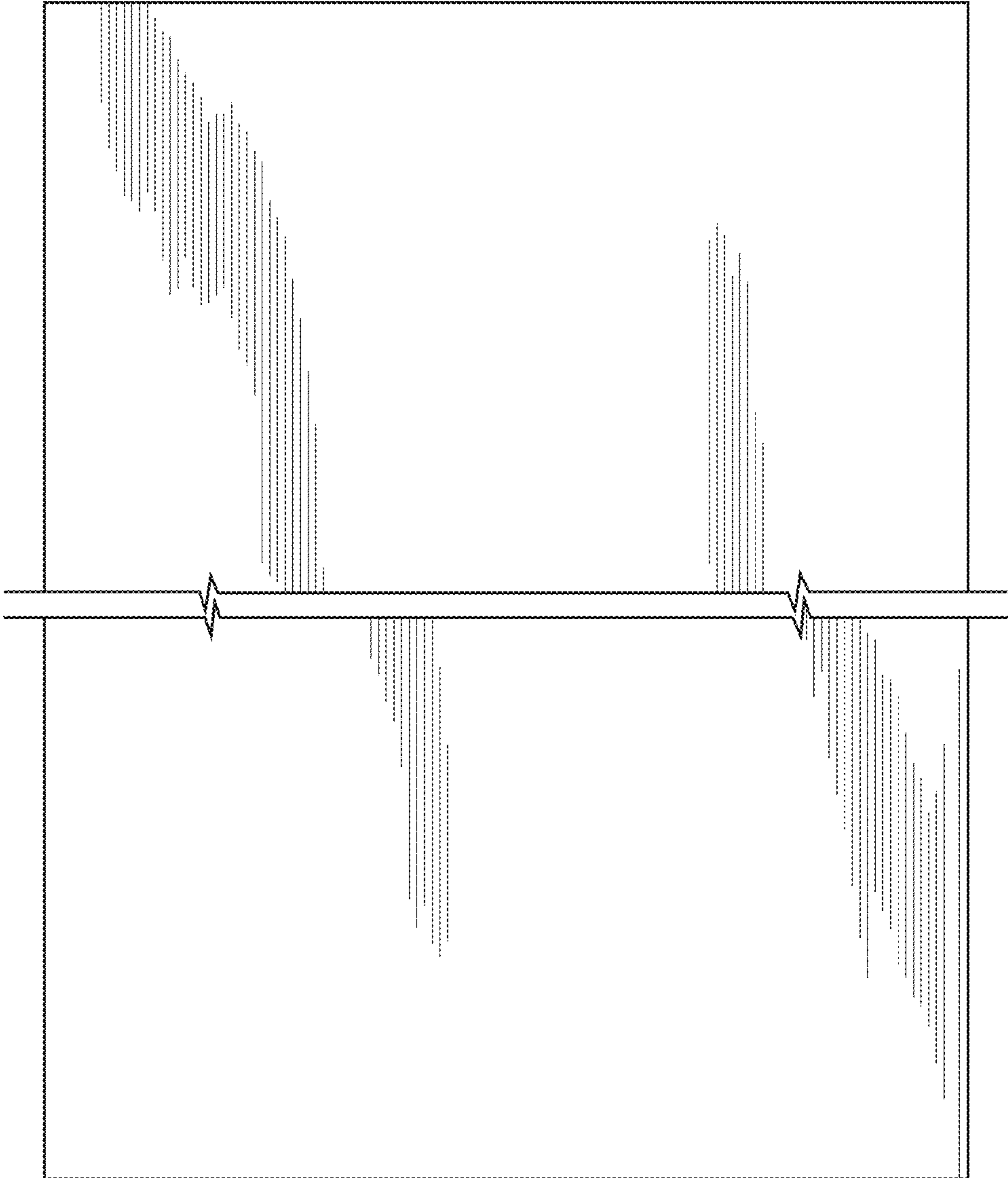


FIG. 3

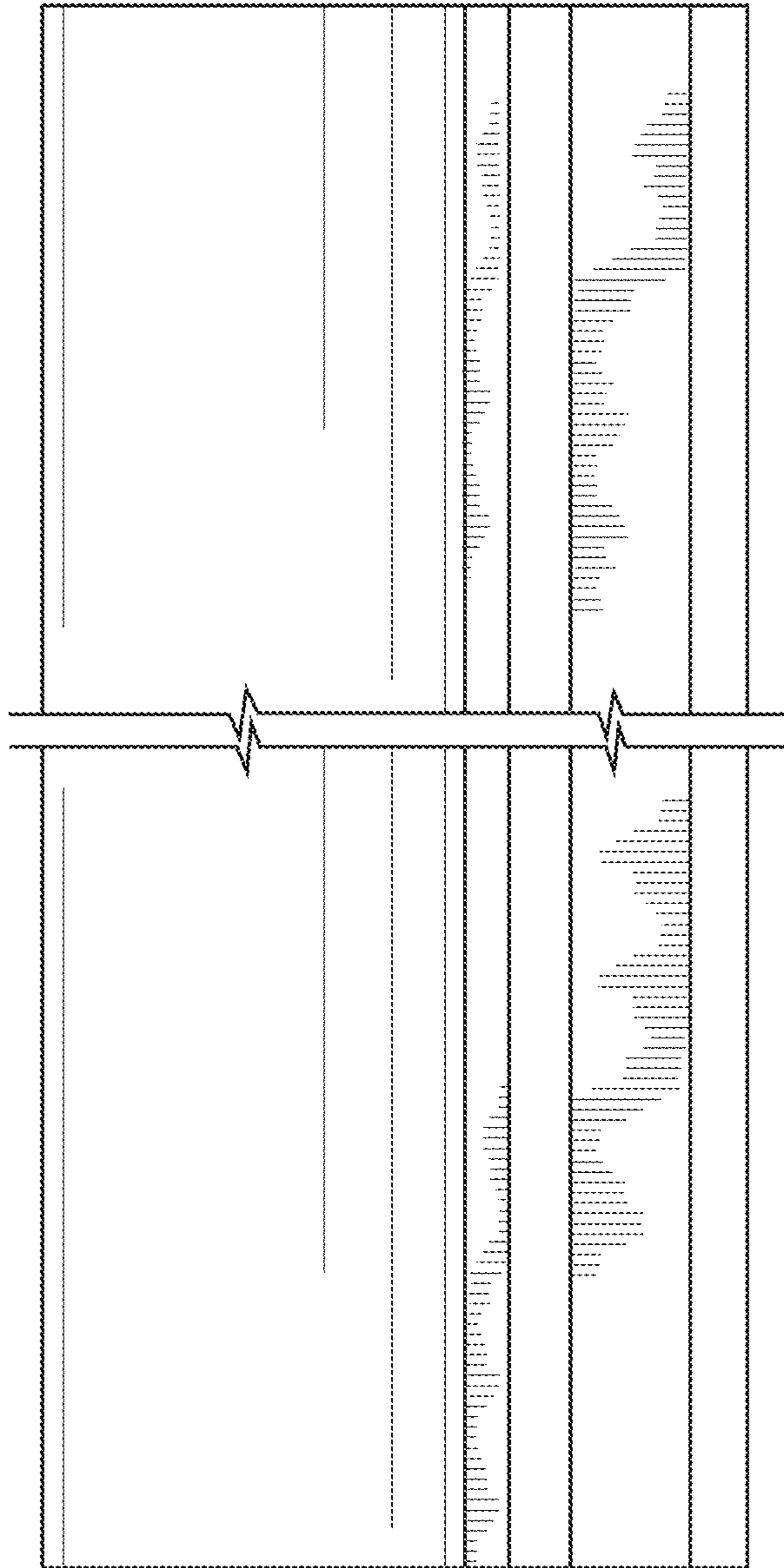


FIG. 4

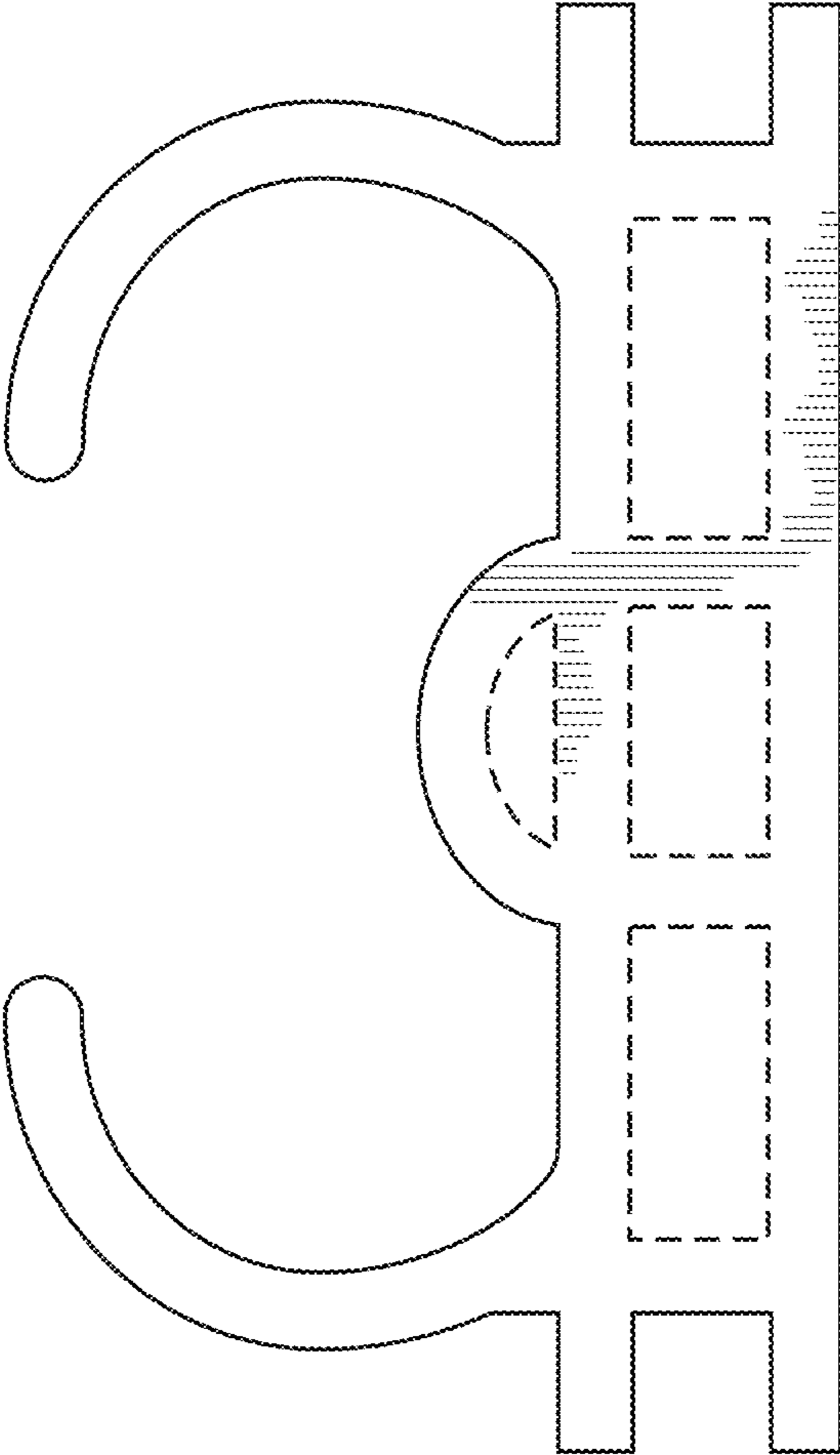


FIG. 5

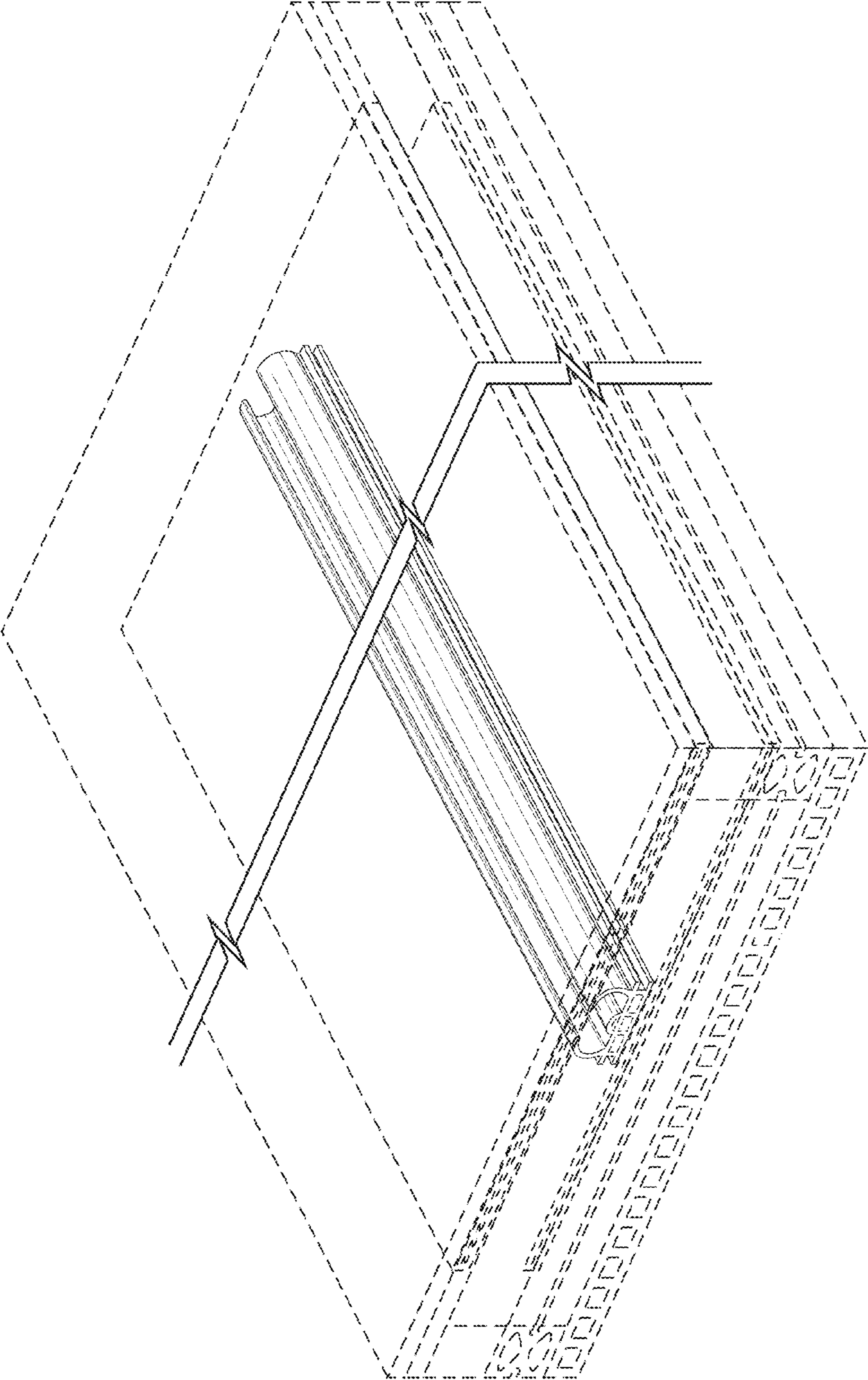


FIG. 6

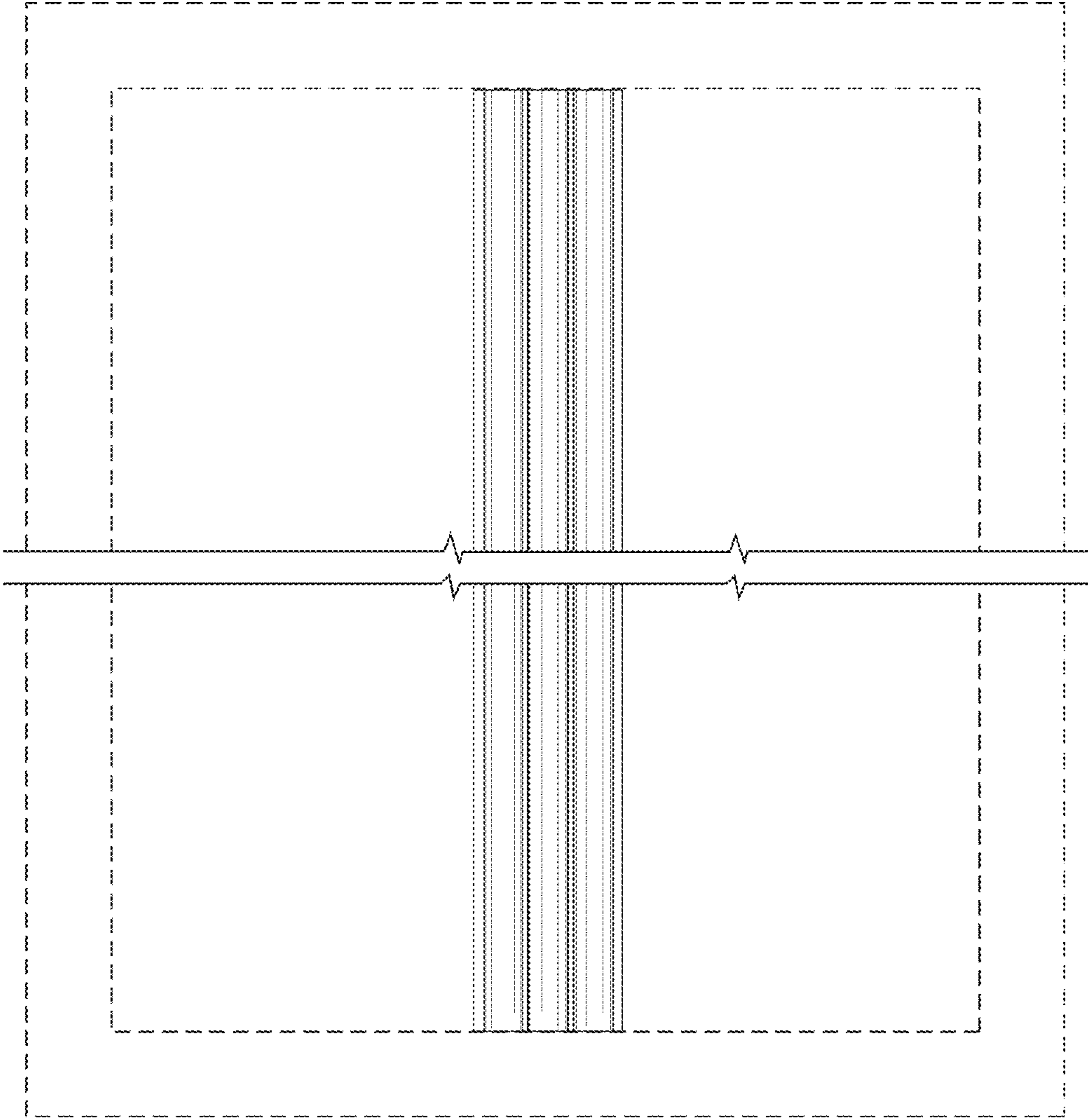


FIG. 7

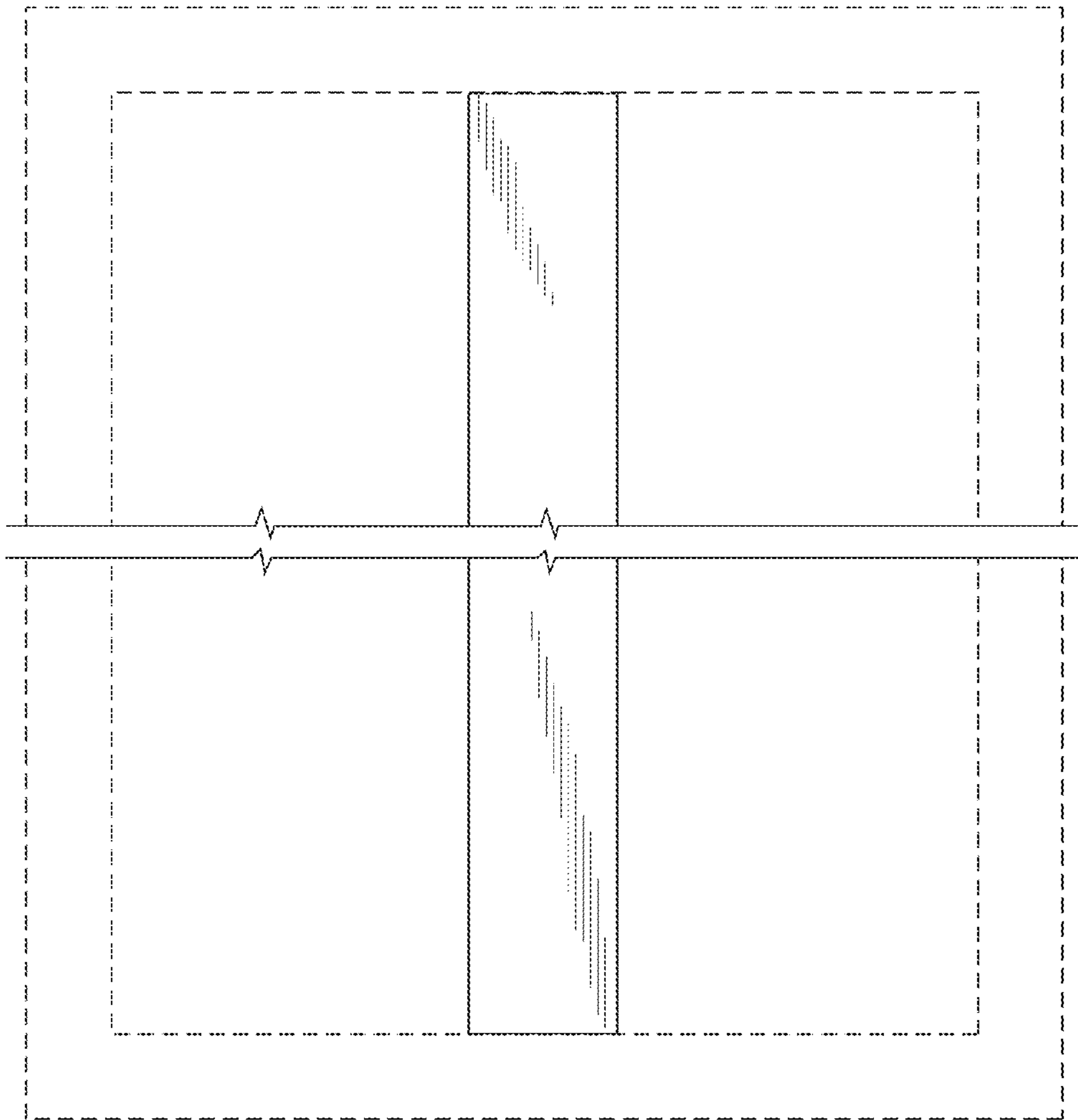


FIG. 8

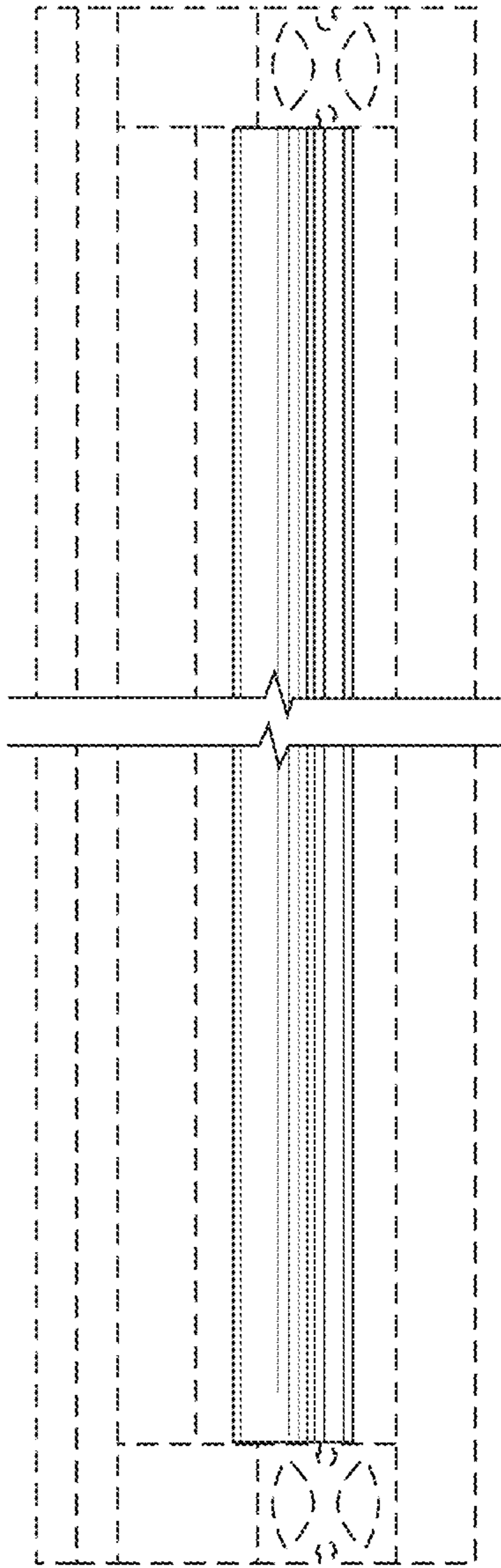


FIG. 9

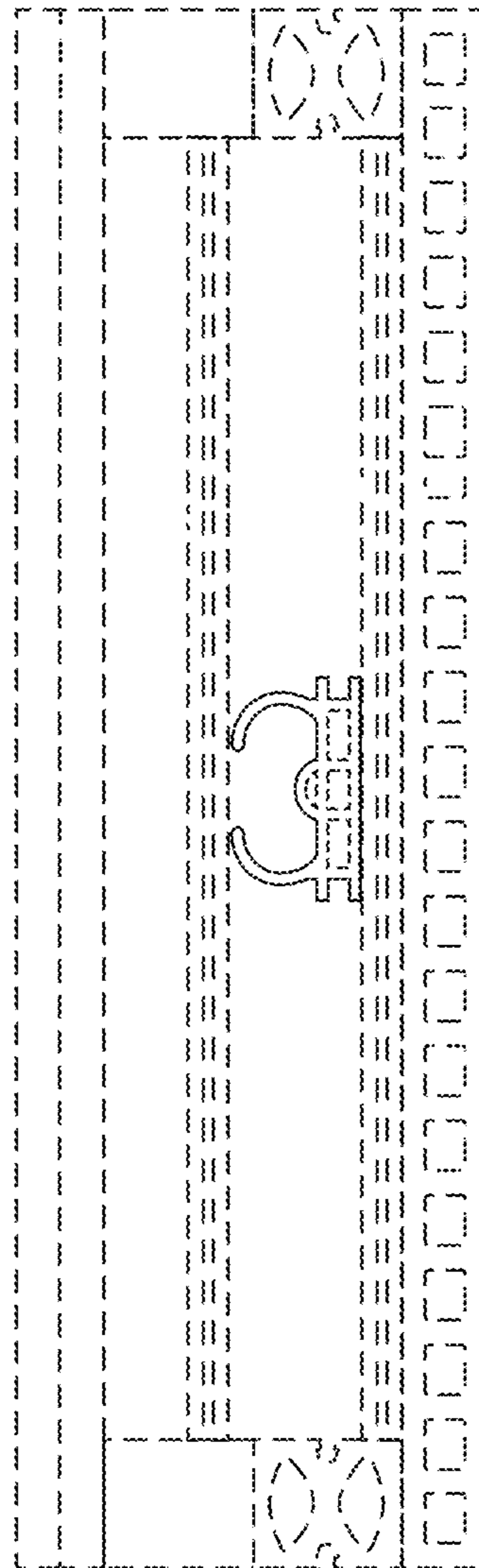


FIG. 10

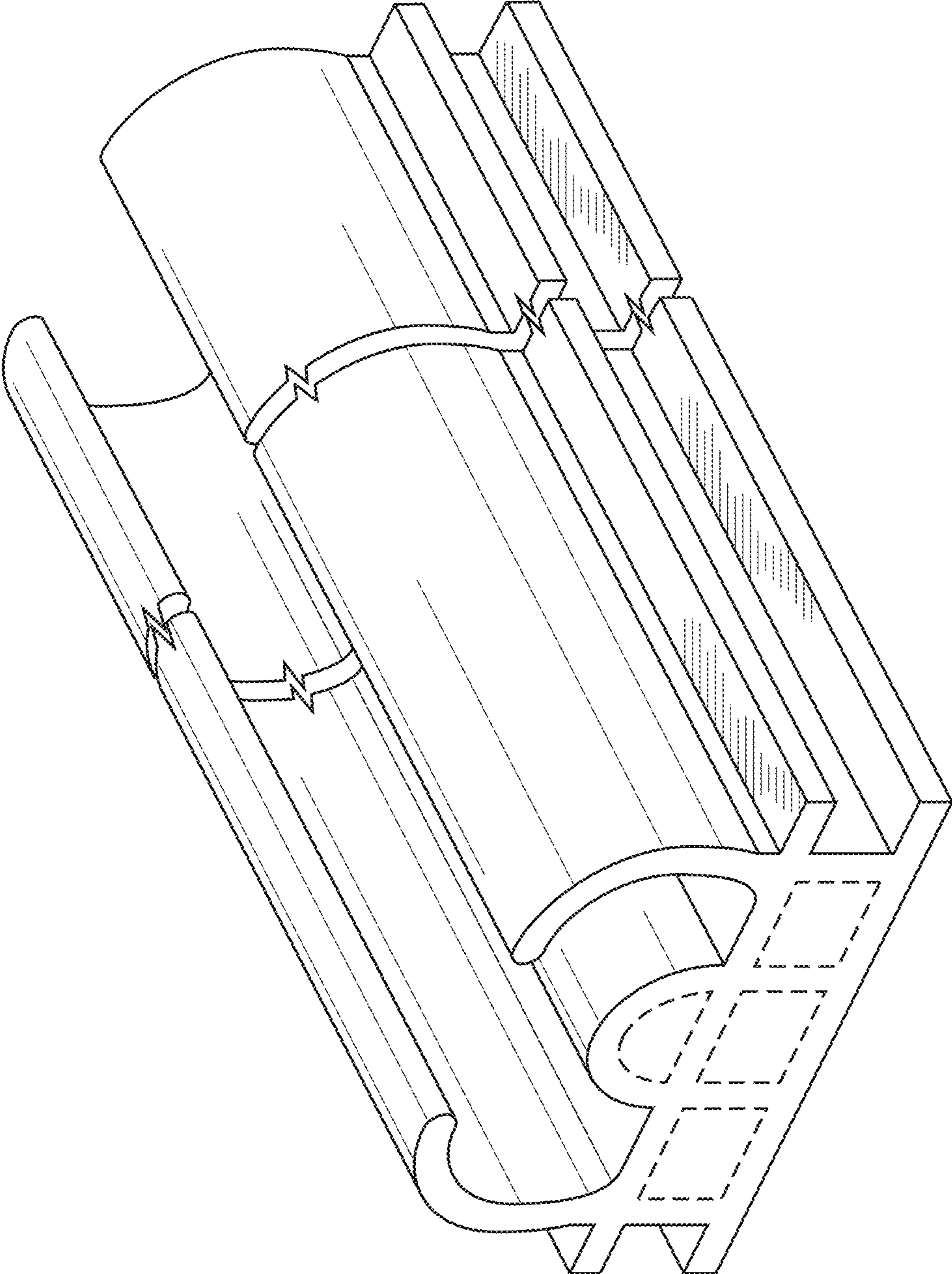


FIG. 11

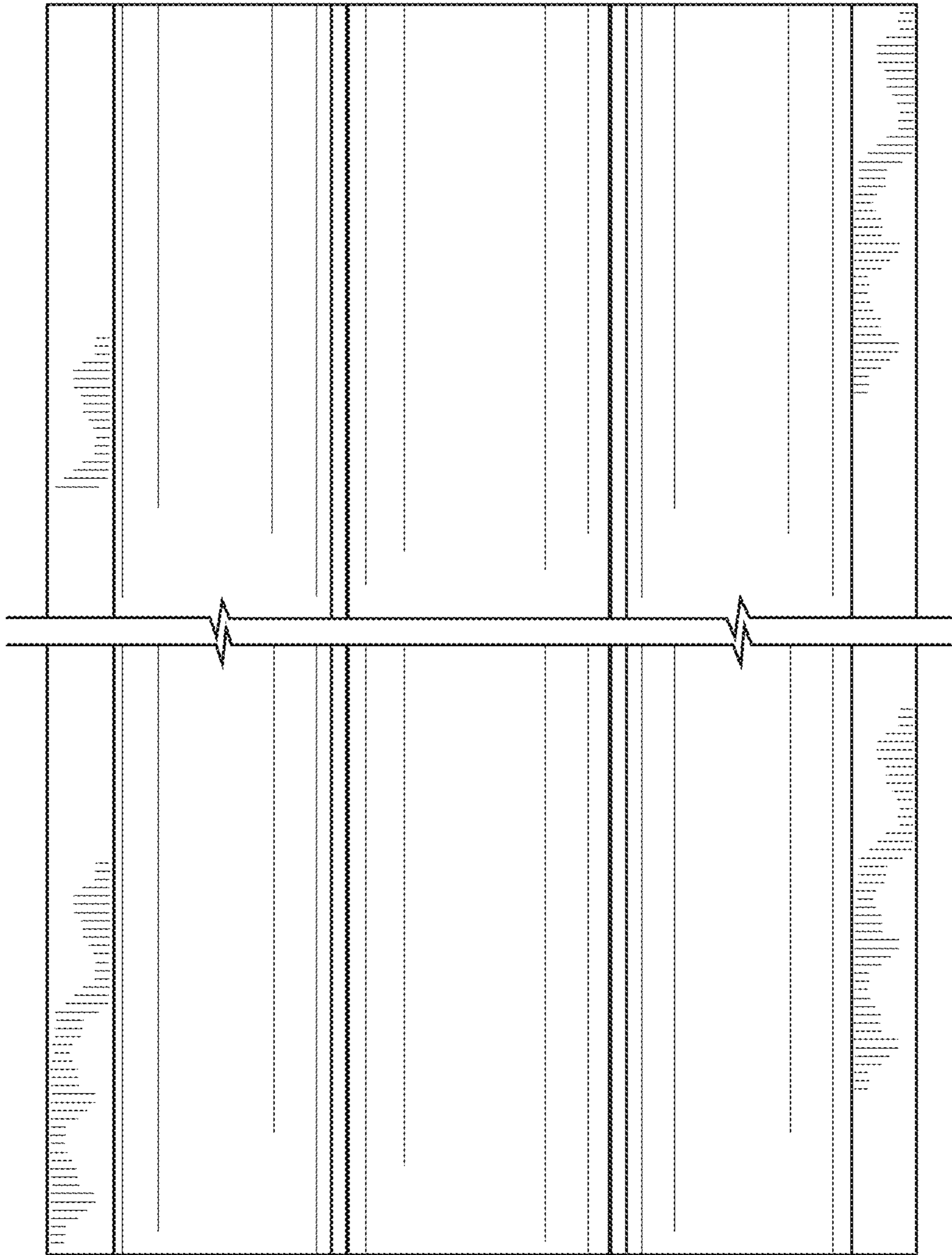


FIG. 12

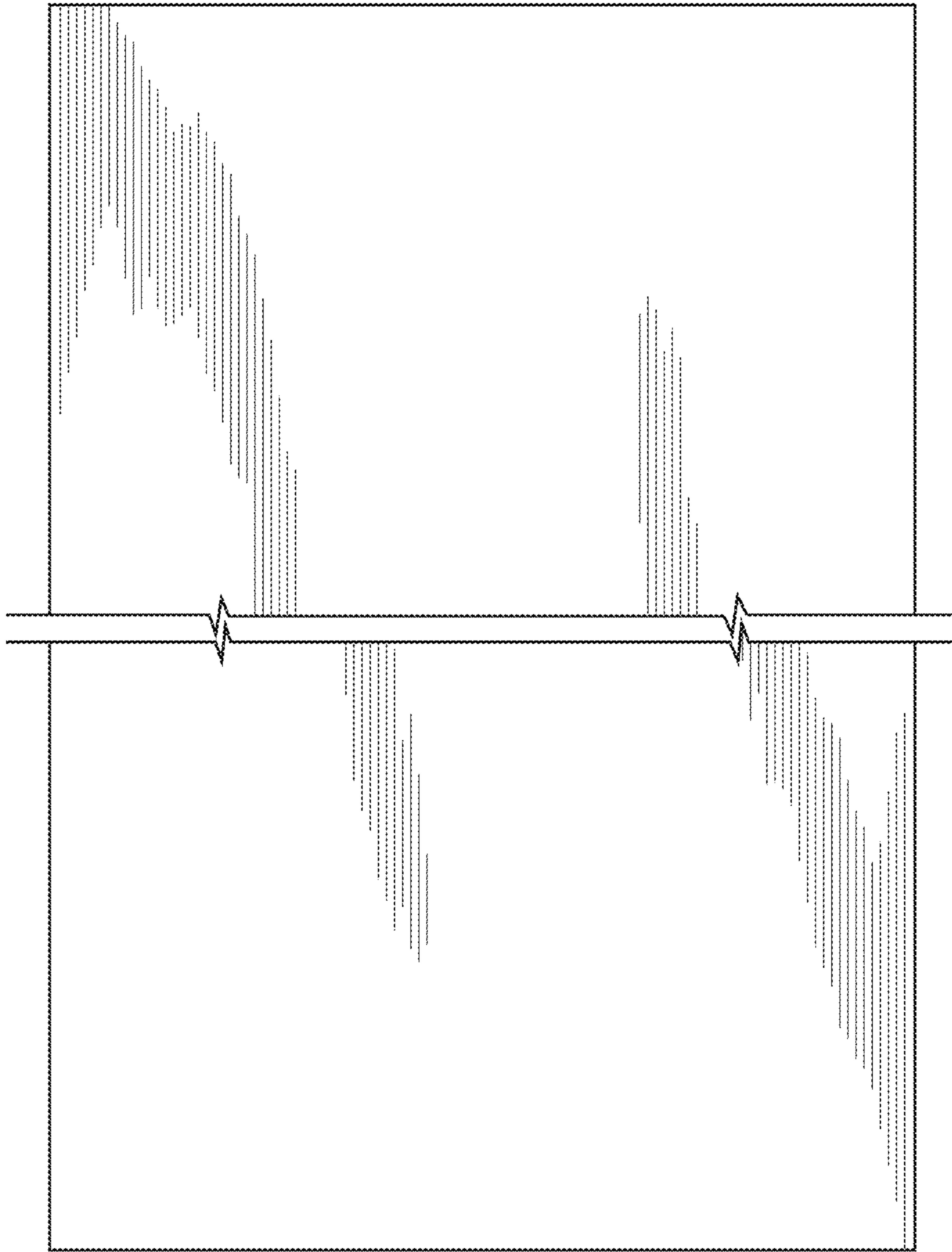


FIG. 13

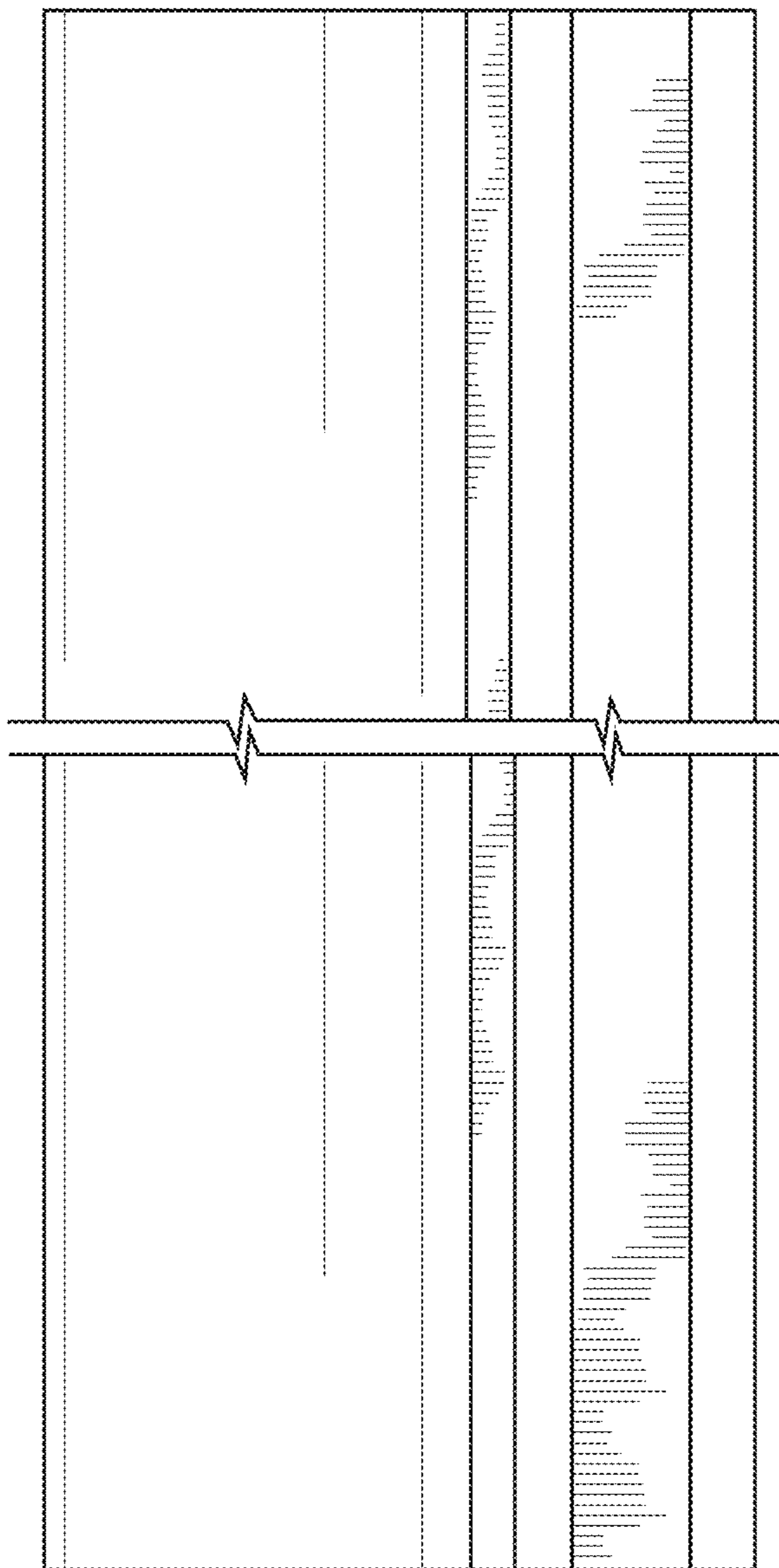


FIG. 14

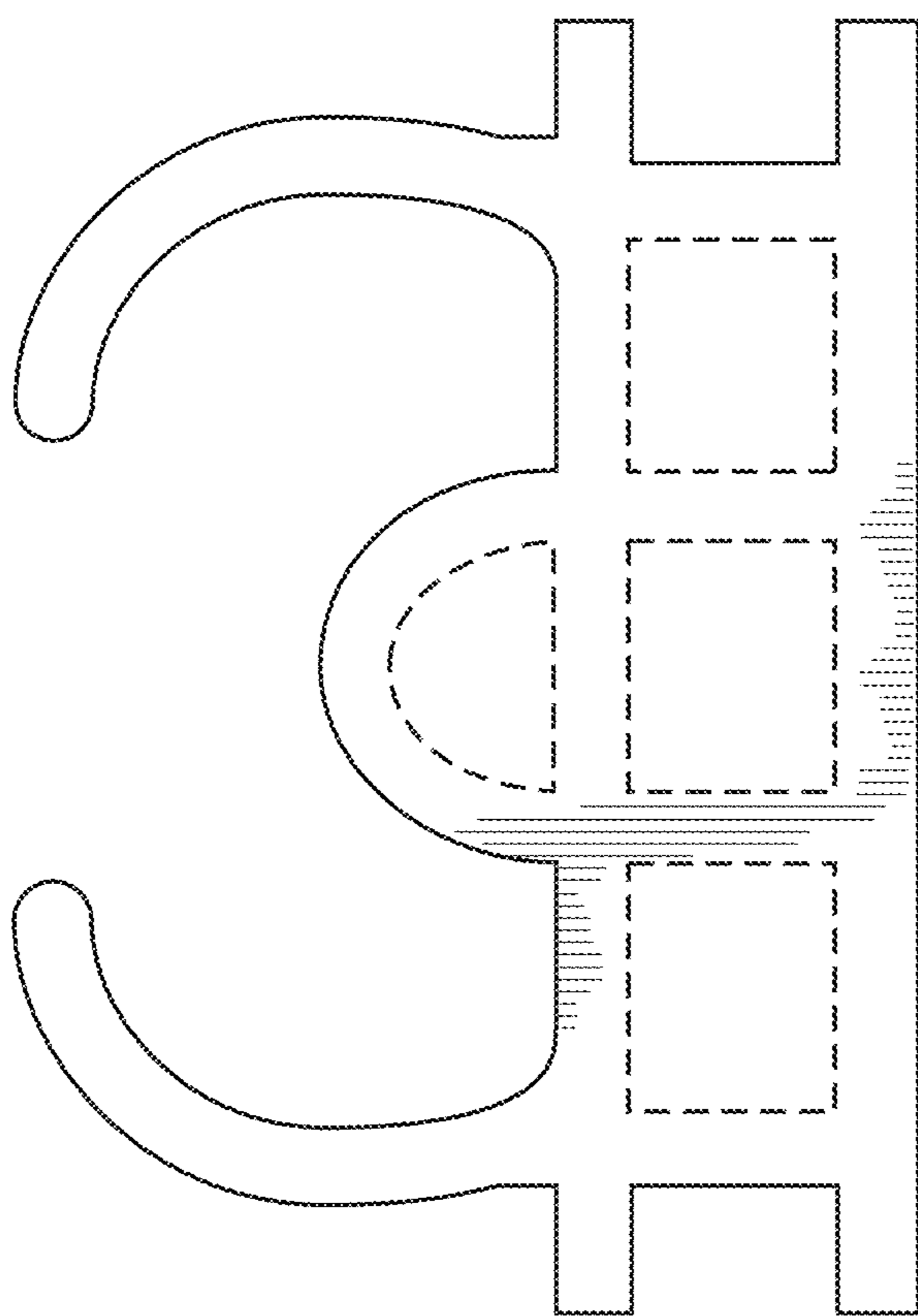


FIG. 15

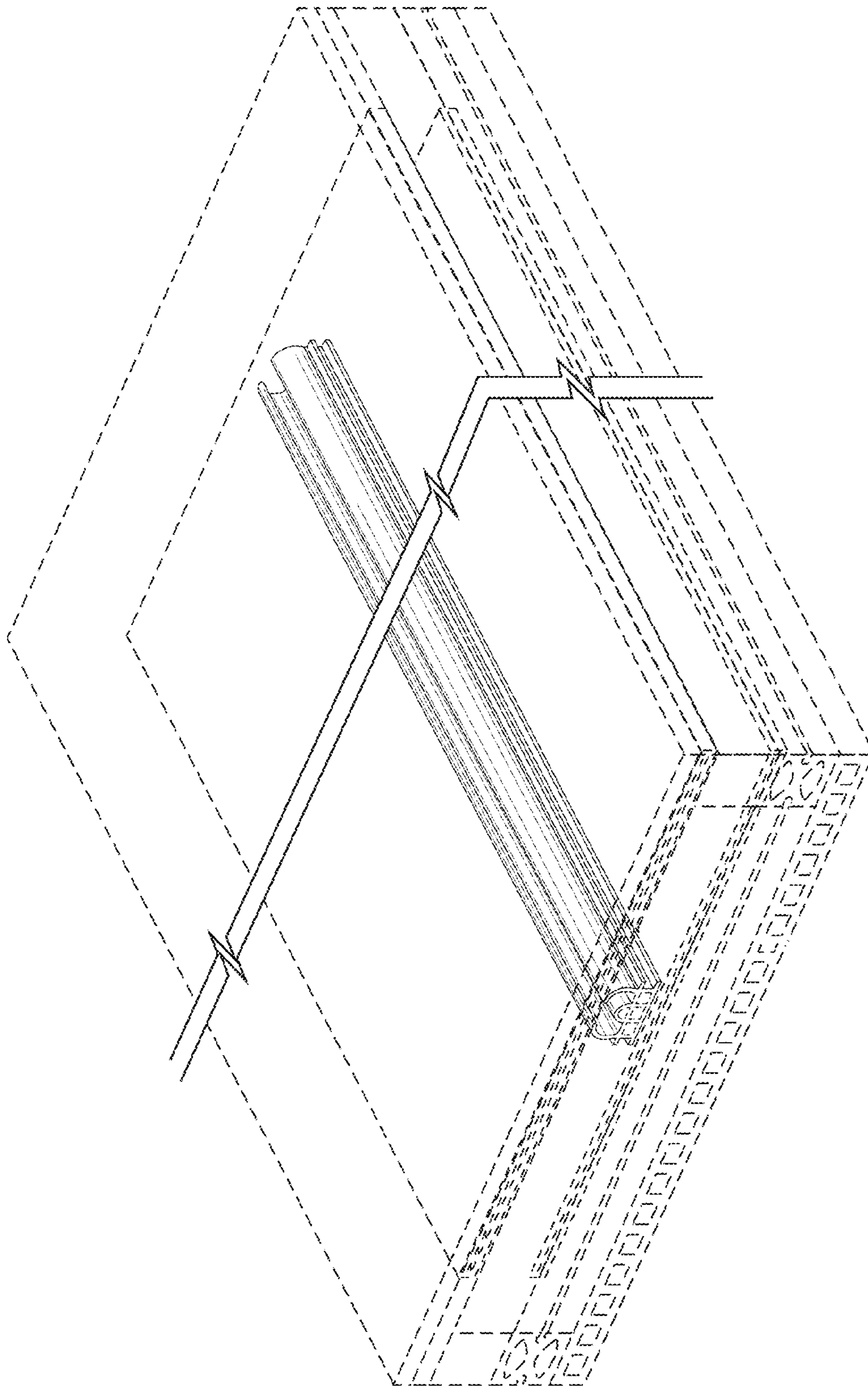


FIG. 16

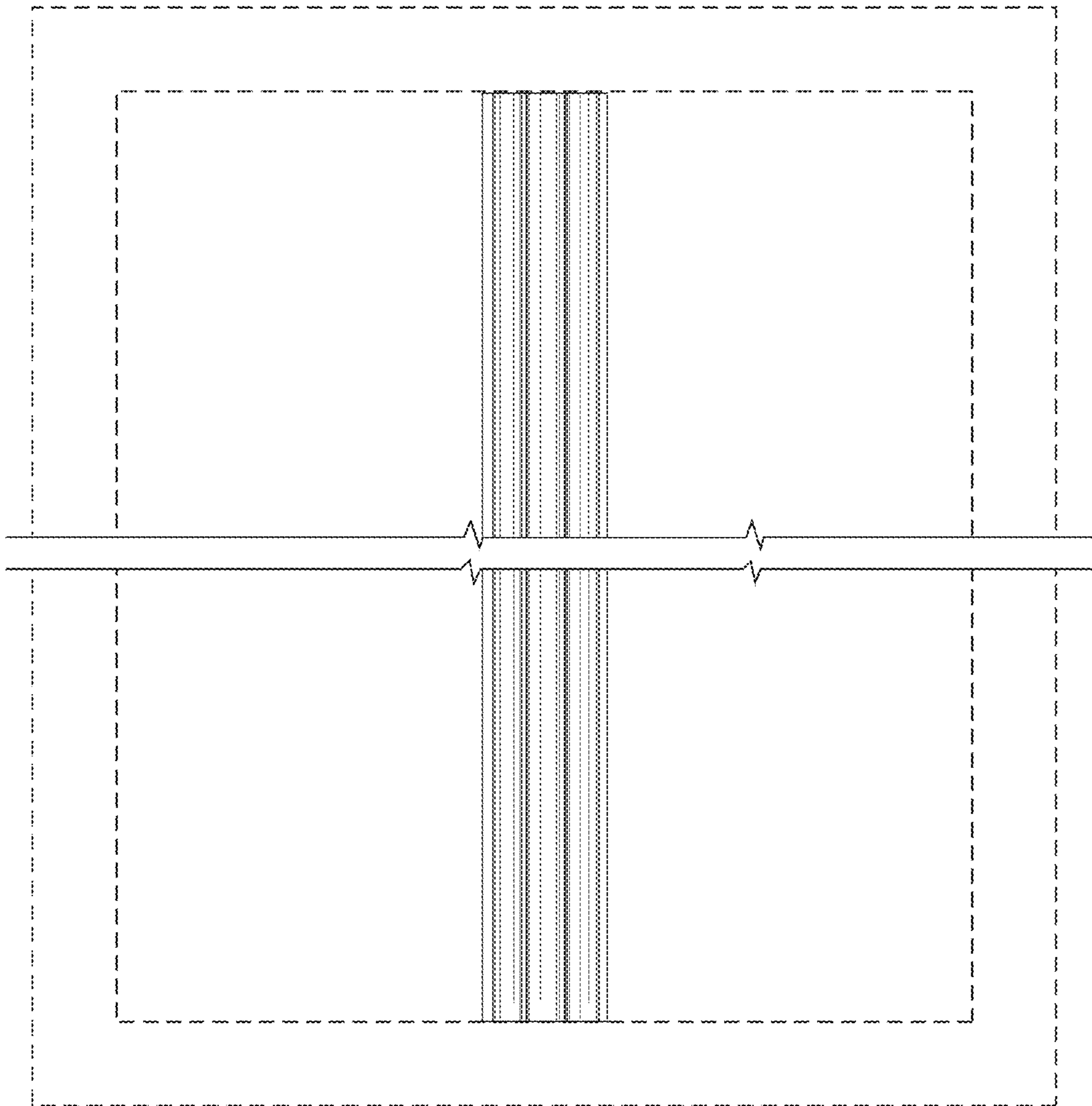


FIG. 17

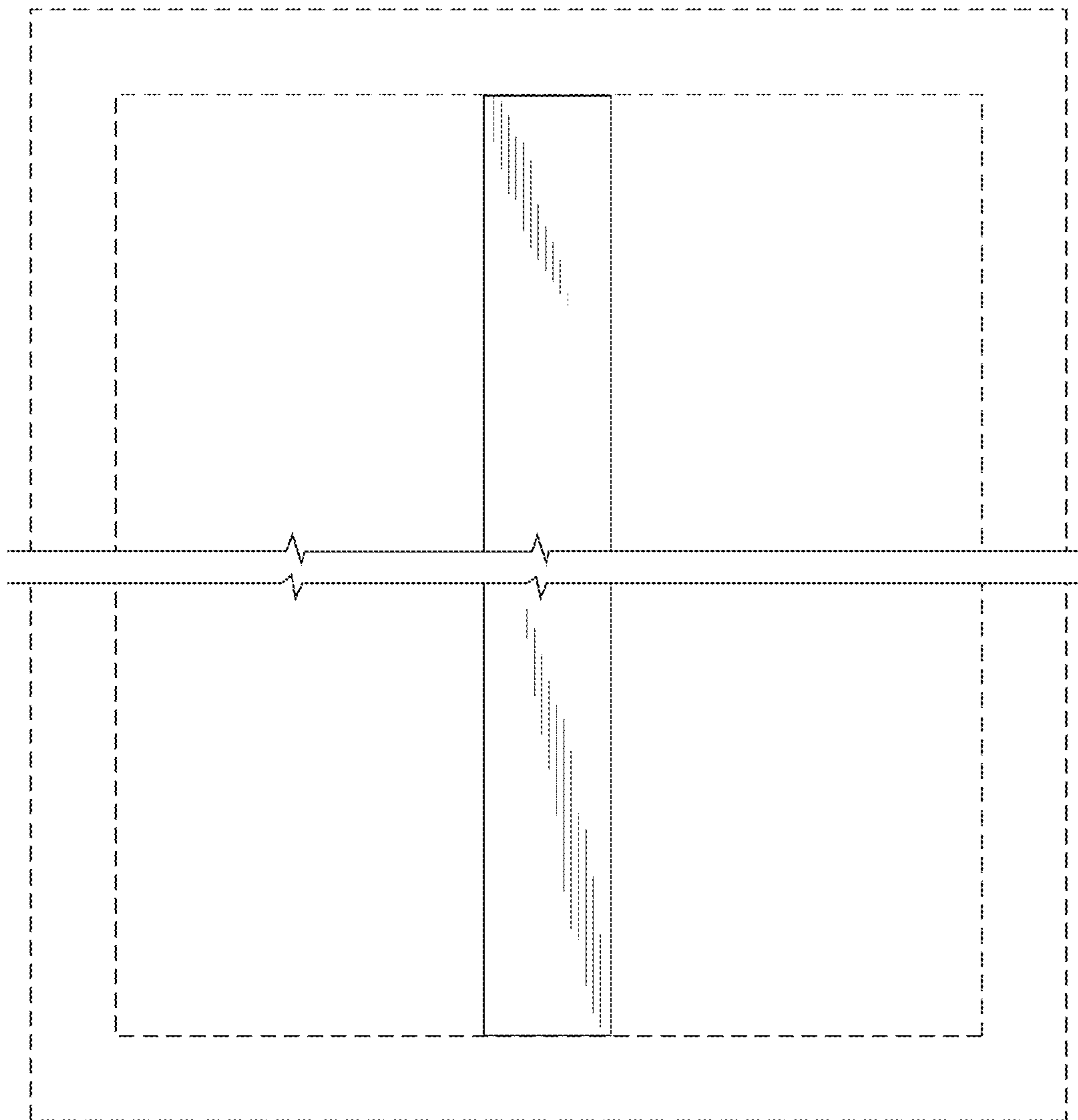


FIG. 18

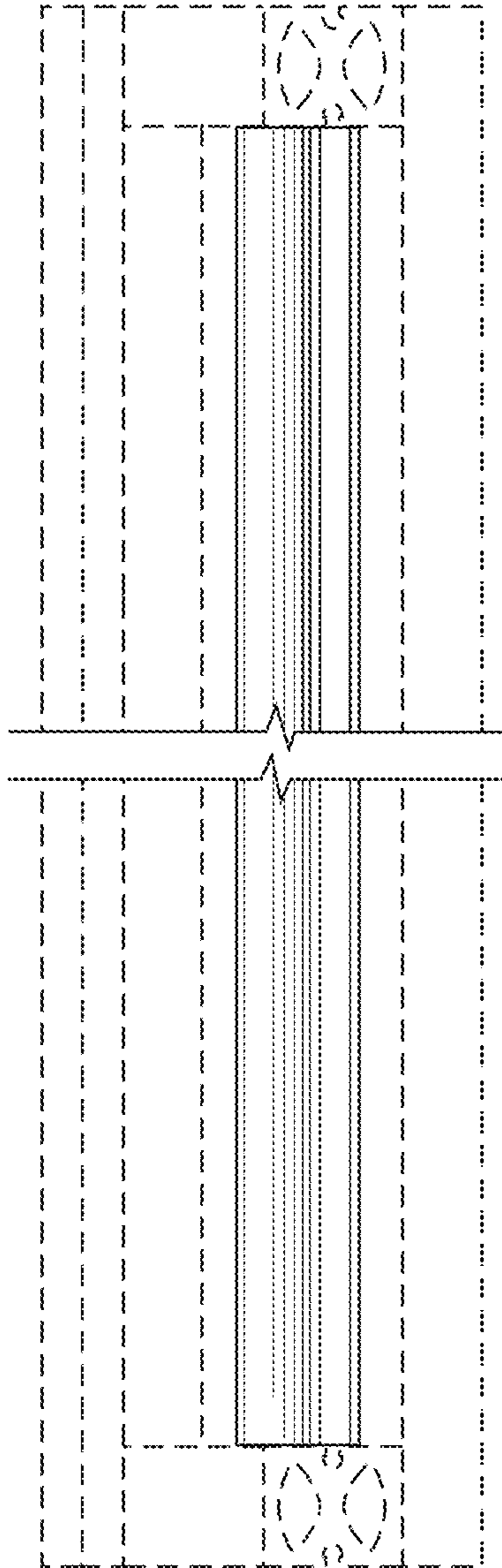


FIG. 19

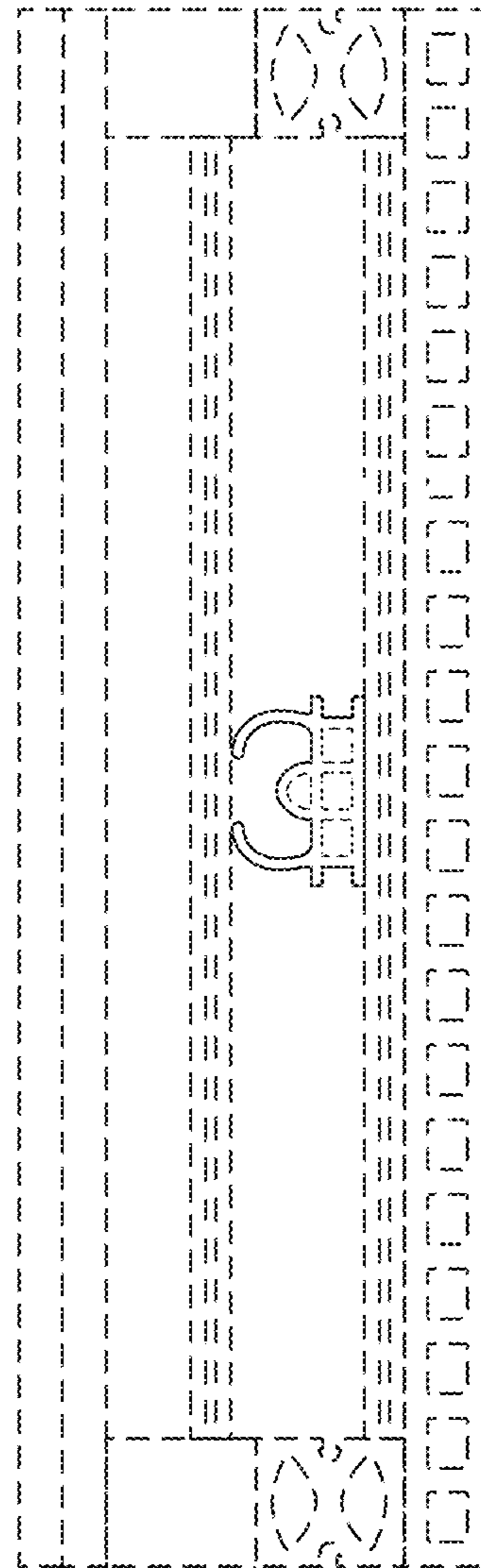


FIG. 20