



US00D688066S

(12) **United States Design Patent**
Lai

(10) **Patent No.:** **US D688,066 S**

(45) **Date of Patent:** **** Aug. 20, 2013**

(54) **CONTROLLING AXLE FOR WINDOW BLIND**

(71) Applicant: **Tony Lai**, Rowland Heights, CA (US)

(72) Inventor: **Tony Lai**, Rowland Heights, CA (US)

(**) Term: **14 Years**

(21) Appl. No.: **29/421,770**

(22) Filed: **Sep. 20, 2012**

(51) **LOC (9) Cl.** **06-10**

(52) **U.S. Cl.**
USPC **D6/580**

(58) **Field of Classification Search**
USPC D6/575-581; D5/64, 66; D8/323,
D8/349, 353, 368, 369, 376, 377, 382;
160/84.01-84.08, 111, 115, 130, 168.1 R,
160/199, 331, 332

See application file for complete search history.

(56) **References Cited**

U.S. PATENT DOCUMENTS

3,279,835	A *	10/1966	Kroh	403/326
5,382,124	A *	1/1995	Frattarola	411/352
5,642,972	A *	7/1997	Ellis et al.	411/353
D400,430	S *	11/1998	McDonough et al.	D8/387
D402,522	S *	12/1998	Gillman	D8/82

6,142,211	A *	11/2000	Judkins	160/308
D480,950	S *	10/2003	Ellis et al.	D8/382
6,712,115	B2 *	3/2004	Judkins	160/32
6,957,683	B2 *	10/2005	Toti	160/170
7,093,644	B2 *	8/2006	Strand	160/170
D603,693	S *	11/2009	Bentrim	D8/397
7,926,541	B2 *	4/2011	Chou	160/177 R

* cited by examiner

Primary Examiner — Karen S Acker

(74) *Attorney, Agent, or Firm* — Raymond Y. Chan; David and Raymond Patent Firm

(57) **CLAIM**

The ornamental design for a controlling axle for window blind, as shown and described.

DESCRIPTION

FIG. 1 is a perspective view of controlling axle for window blind showing my new design.

FIG. 2 is a front view thereof.

FIG. 3 is a rear view thereof.

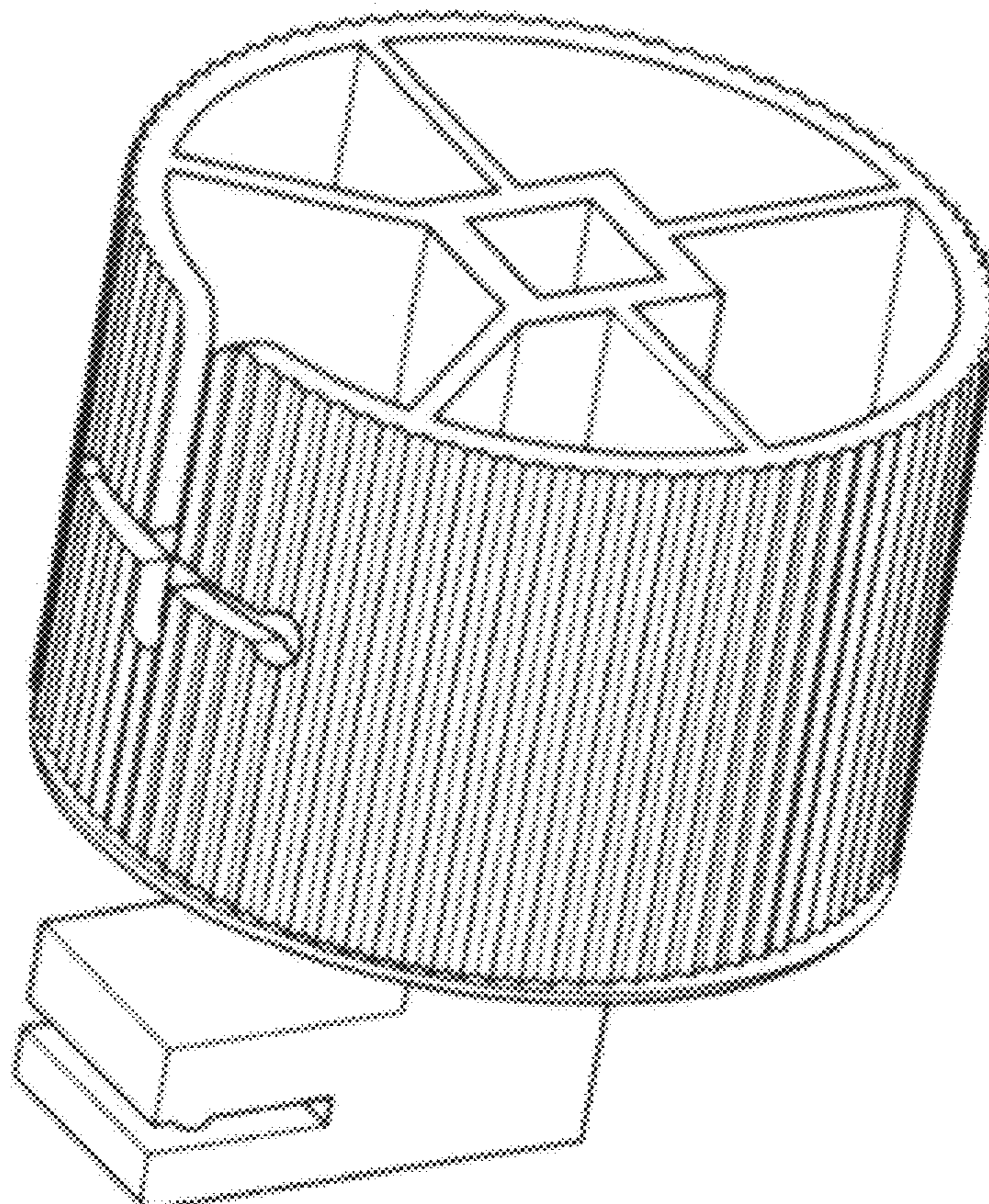
FIG. 4 is a left view thereof.

FIG. 5 is a right view thereof.

FIG. 6 is a top view thereof; and,

FIG. 7 is a bottom view thereof.

1 Claim, 1 Drawing Sheet



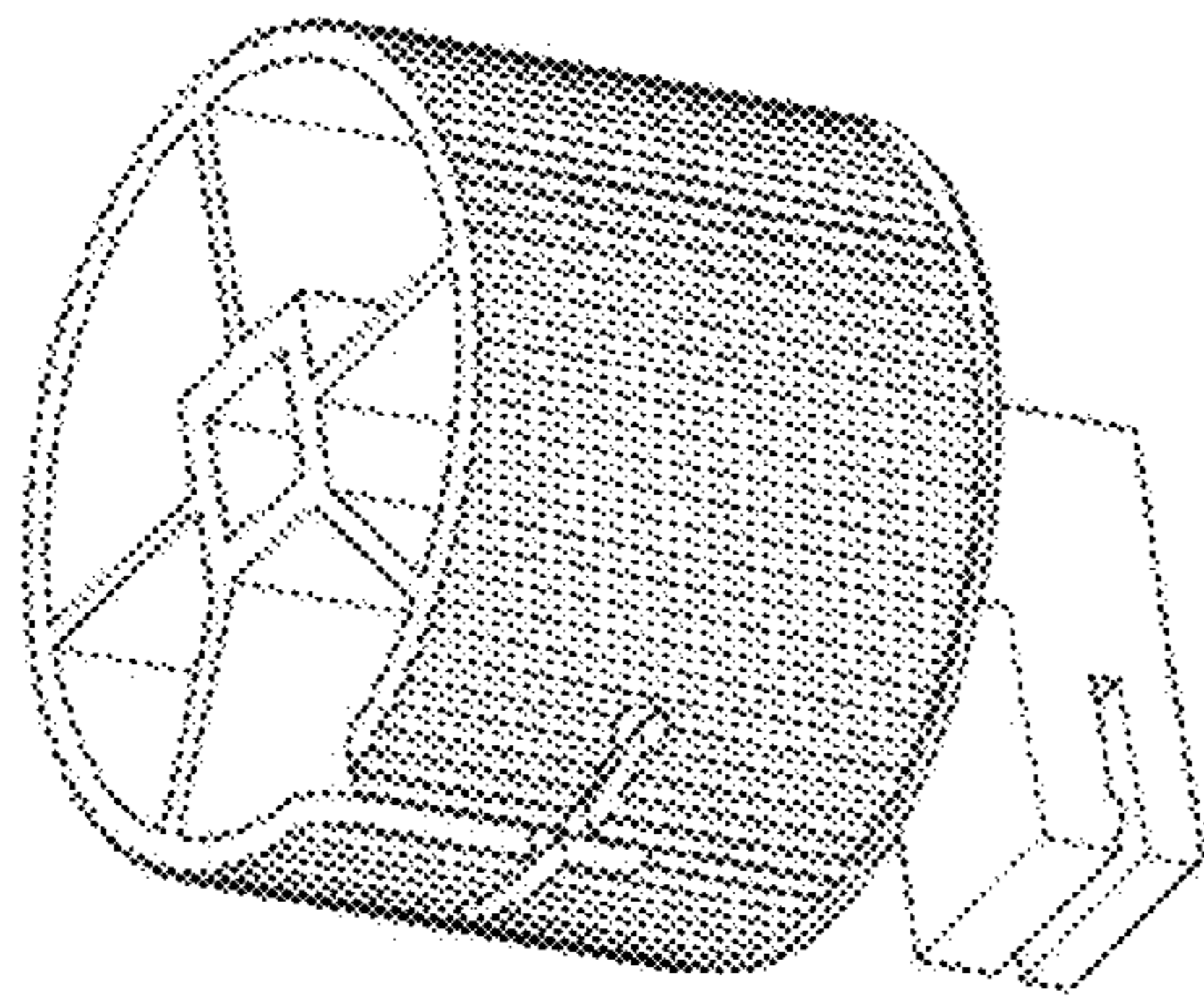


FIG. 1

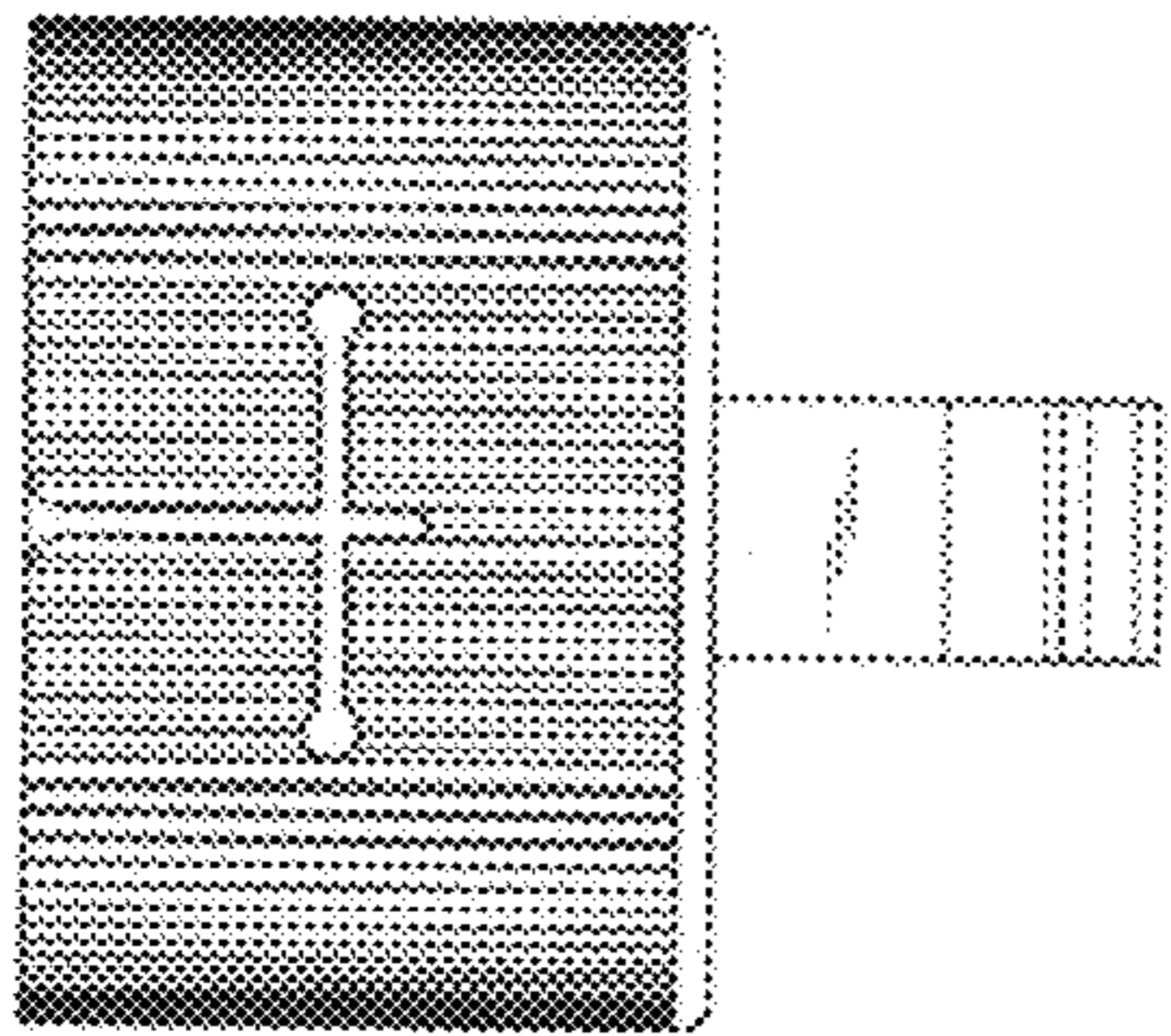


FIG. 2

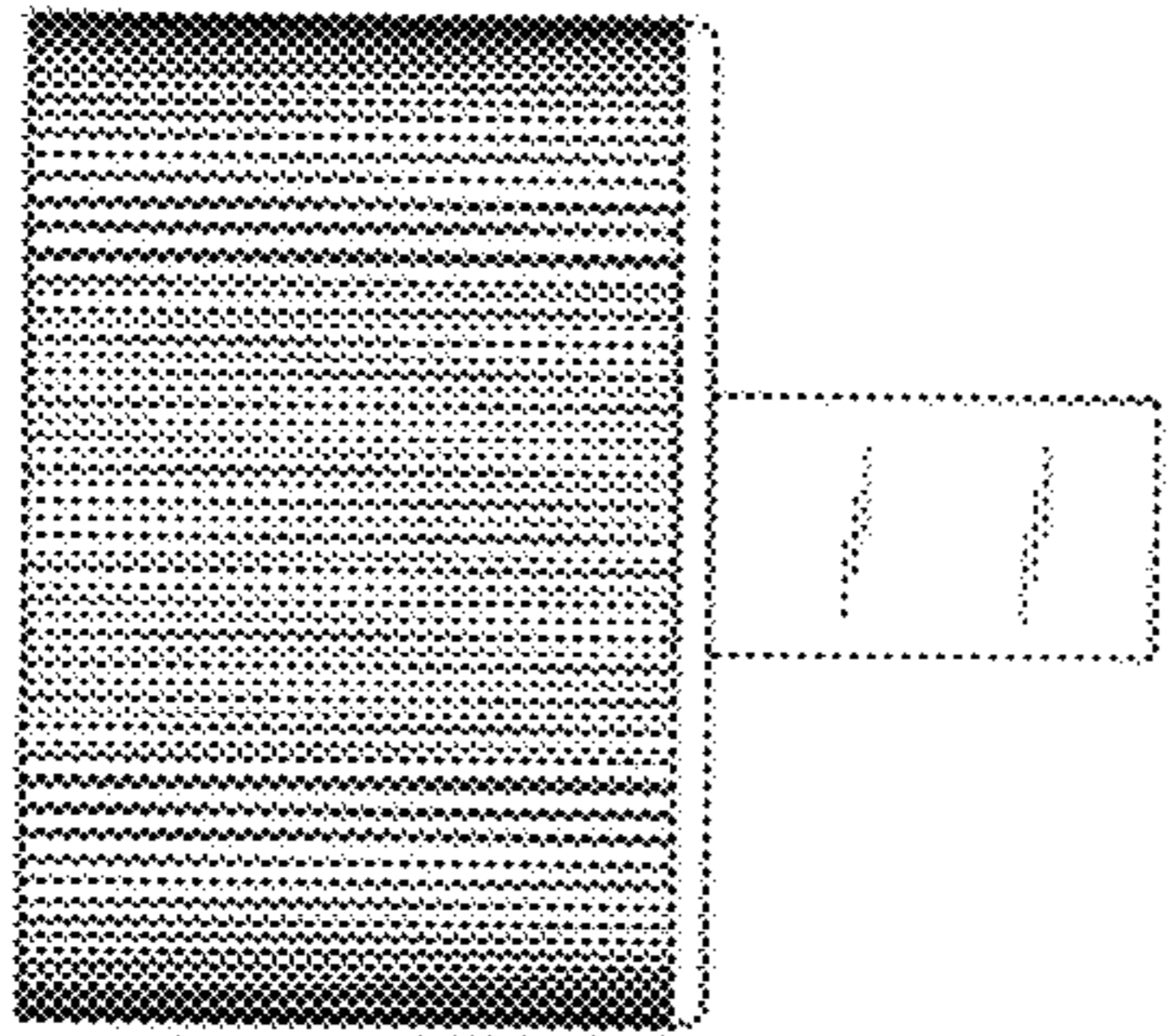


FIG. 3

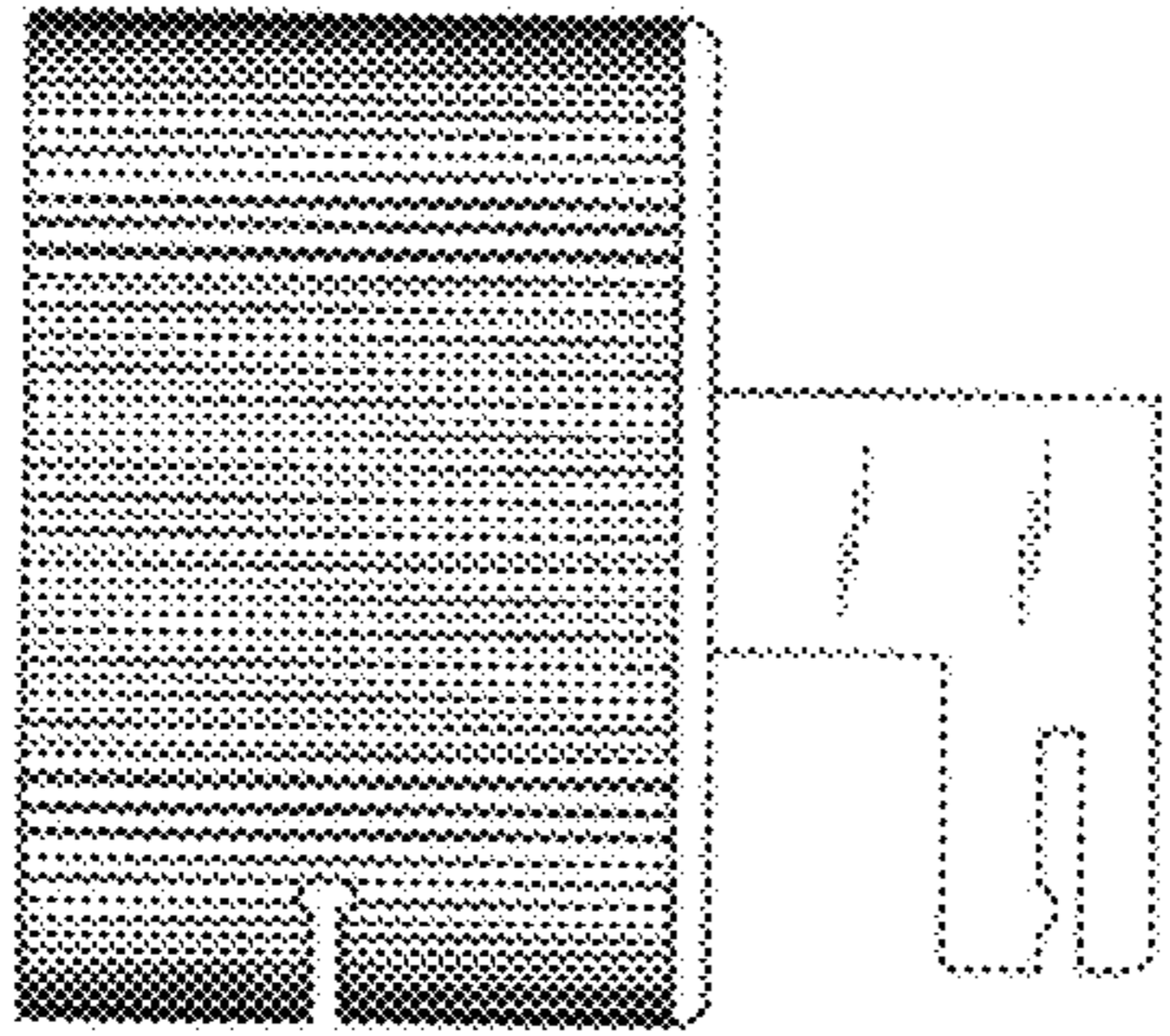


FIG. 4

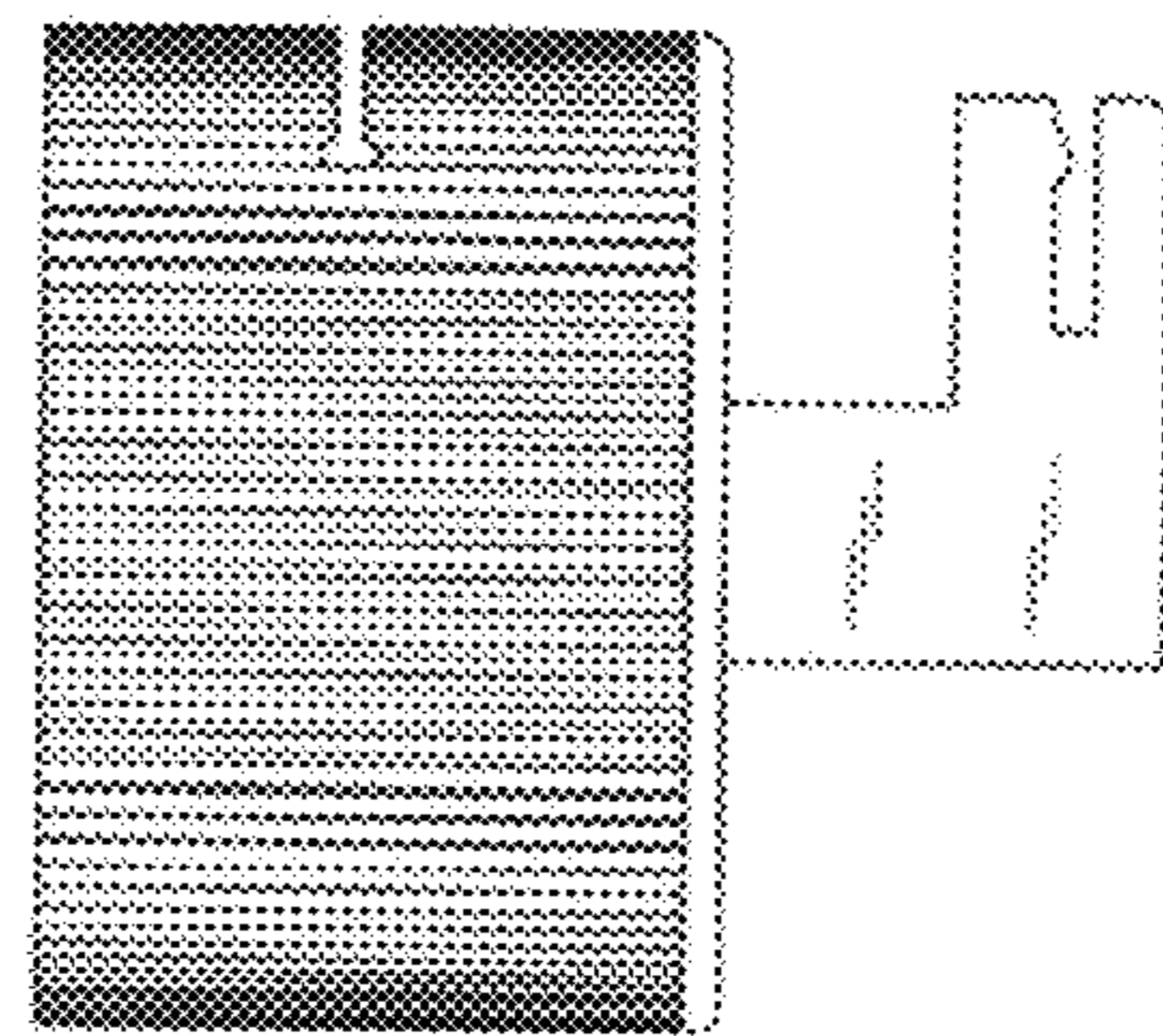


FIG. 5

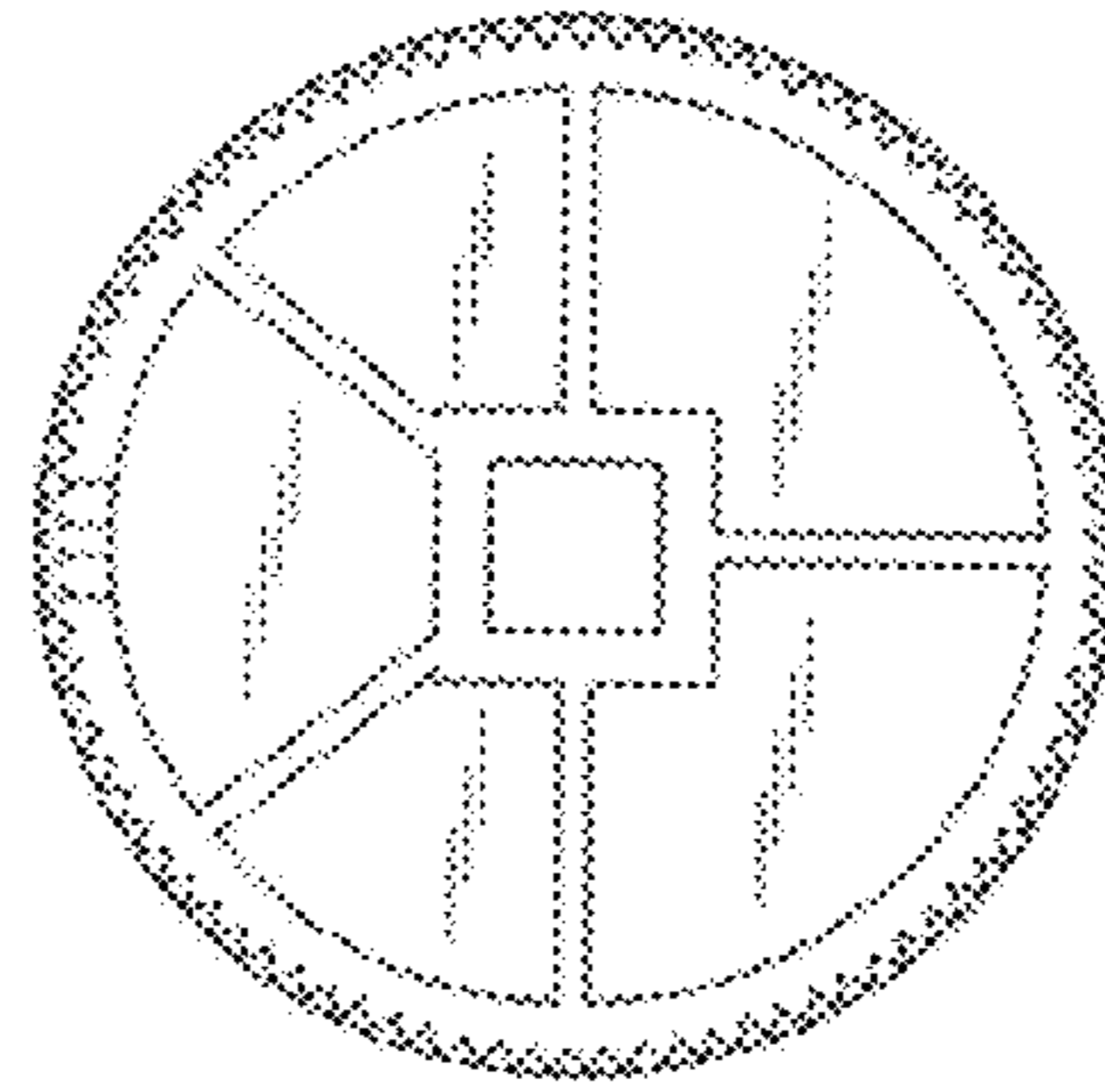


FIG. 6

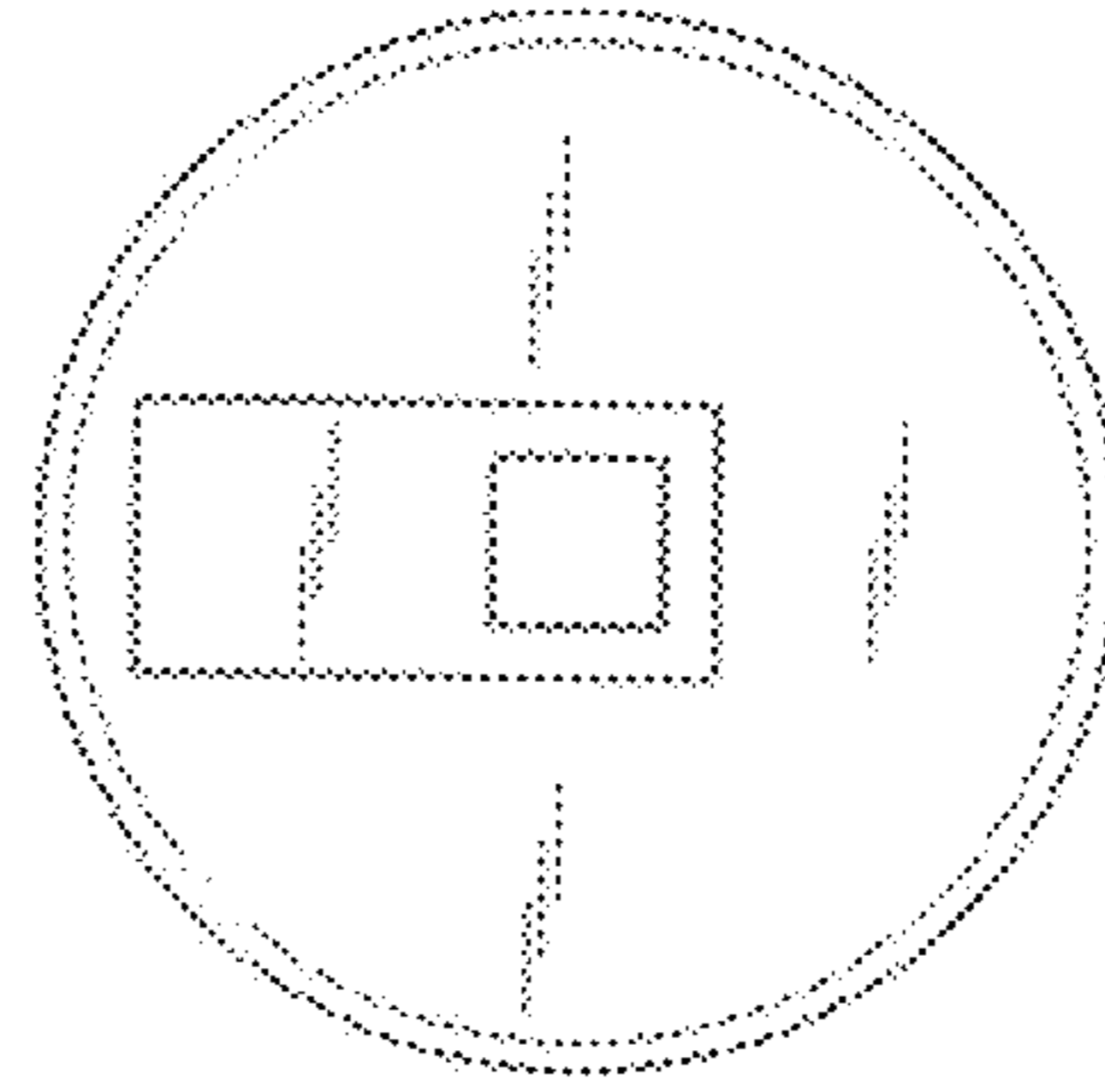


FIG. 7