



US00D688065S

(12) **United States Design Patent**
Emerson

(10) **Patent No.:** **US D688,065 S**

(45) **Date of Patent:** **** Aug. 20, 2013**

(54) **STORAGE POCKET**

(71) Applicant: **Dianne Emerson**, Norfolk, NE (US)

(72) Inventor: **Dianne Emerson**, Norfolk, NE (US)

(**) Term: **14 Years**

(21) Appl. No.: **29/435,220**

(22) Filed: **Oct. 22, 2012**

(51) **LOC (9) Cl.** **06-04**

(52) **U.S. Cl.**
USPC **D6/567**

(58) **Field of Classification Search**

USPC D6/512-514, 552, 553, 556, 567,
D6/571, 466, 523, 525; D8/349, 354, 367,
D8/373, 380, 381; D28/73, 86; D19/75,
D19/77, 81, 100; 108/33, 42; 211/13.1,
211/10, 85.1, 85.3, 85.6, 85.9, 14, 30, 32,
211/41.12, 69.5, 70.1, 70.6, 70.7, 60.1, 71.01,
211/72, 74, 75, 86.01, 87.01, 88.04, 134,
211/135; 248/37.3, 49, 200, 251, 300, 309.1,
248/311.2, 314, 694, 902, 907
See application file for complete search history.

(56) **References Cited**

U.S. PATENT DOCUMENTS

D281,477 S *	11/1985	Neff	D6/567
D336,197 S *	6/1993	Wilcox	D6/570
D358,253 S *	5/1995	Wong	D6/570
D373,698 S *	9/1996	Farrell	D6/570
D383,633 S *	9/1997	Schweitzer	D6/567

D391,990 S *	3/1998	Wolff	D6/567
D454,746 S *	3/2002	Grant	D6/570
D555,406 S *	11/2007	Burt	D6/567
D601,838 S *	10/2009	Boutin	D6/553
D639,092 S *	6/2011	Lundy	D6/567

* cited by examiner

Primary Examiner — Brian N Vinson

(74) *Attorney, Agent, or Firm* — Advent, LLP

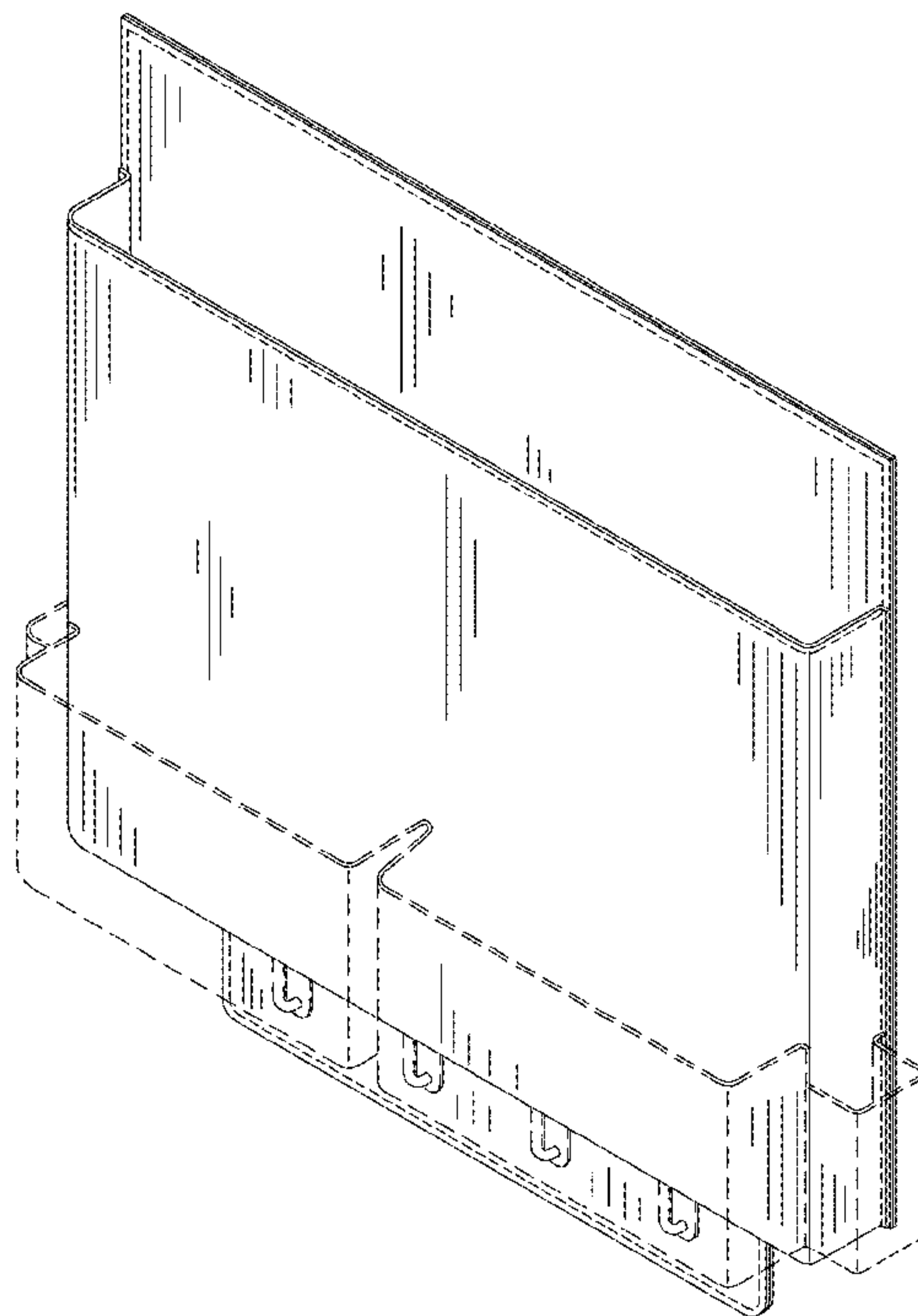
(57) **CLAIM**

The ornamental design for a storage pocket, as shown and described.

DESCRIPTION

FIG. 1 is an isometric view of a storage pocket showing our new design;
FIG. 2 is a top plan view of the storage pocket of FIG. 1;
FIG. 3 is a first side elevation view of the storage pocket of FIG. 1;
FIG. 4 is a first end elevation view of the storage pocket of FIG. 1;
FIG. 5 is a second side elevation view of the storage pocket of FIG. 1;
FIG. 6 is a second end elevation view of the storage pocket of FIG. 1; and,
FIG. 7 is a bottom plan view of the storage pocket of FIG. 1.
In the drawings, the broken lines in FIGS. 1-7 depict portions of the design that form no part of the claim.

1 Claim, 4 Drawing Sheets



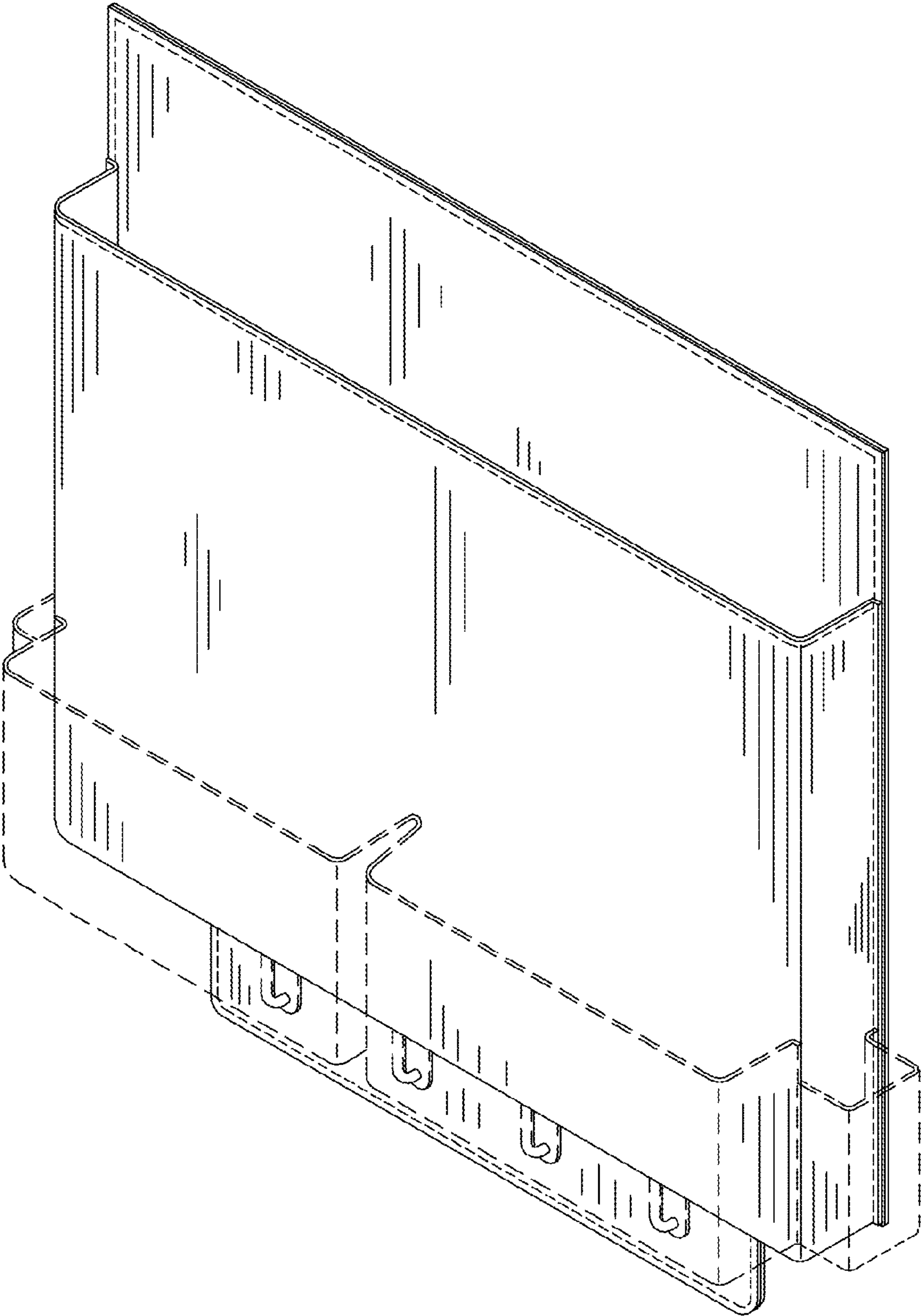


FIG. 1

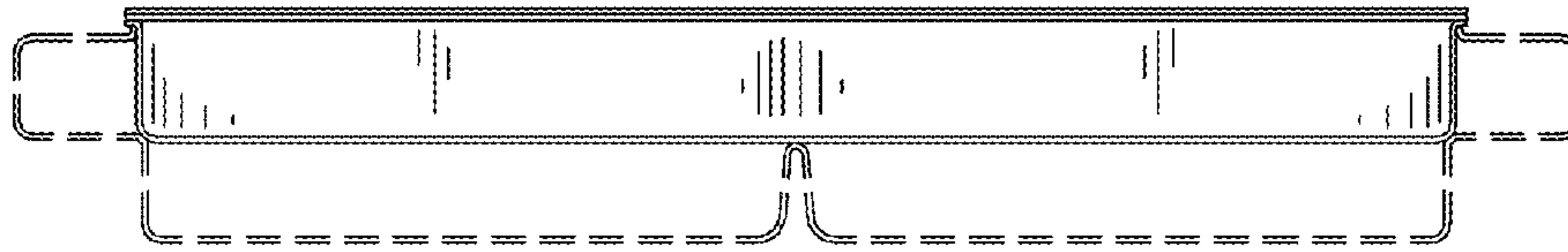


FIG. 2

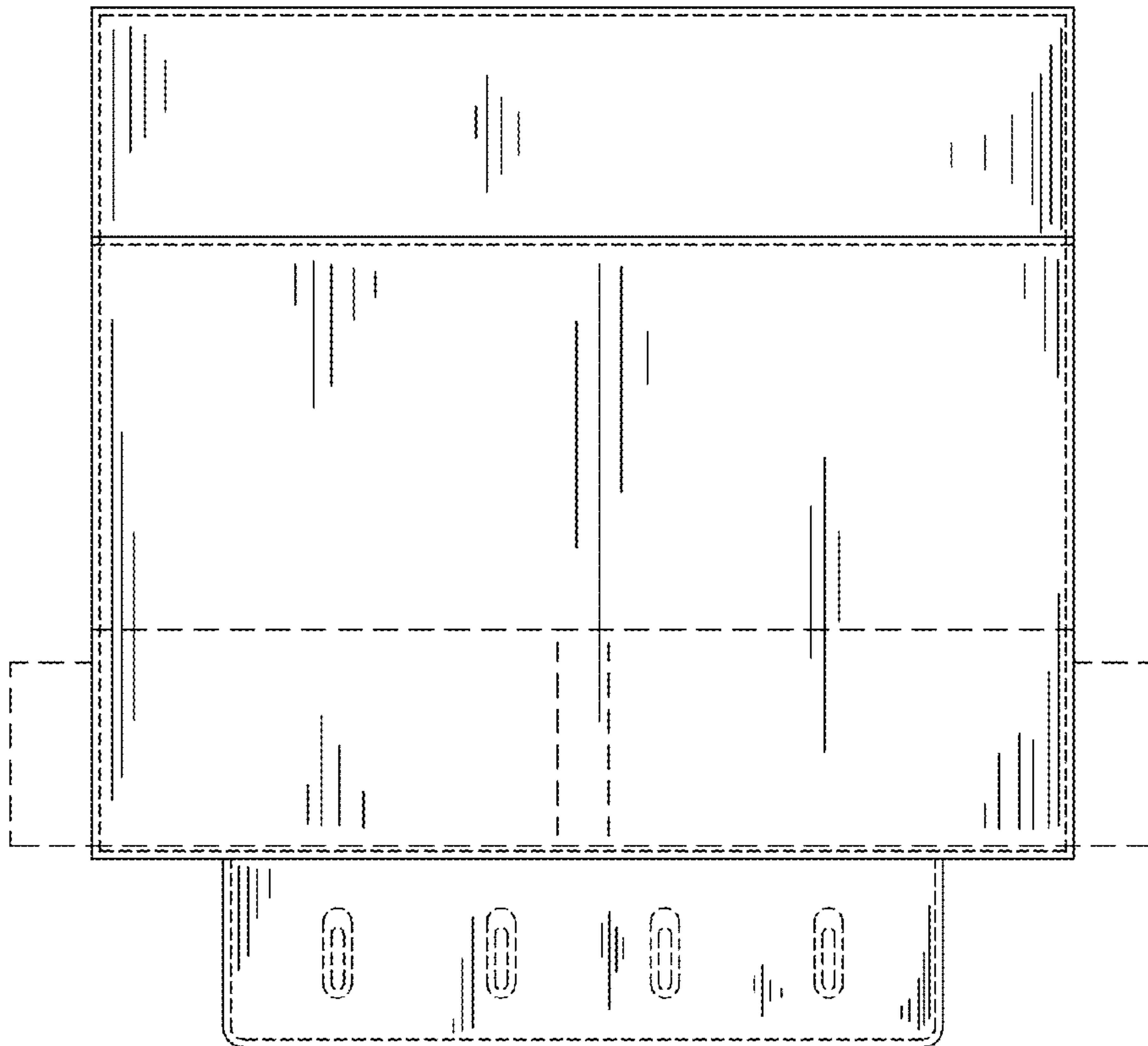


FIG. 3

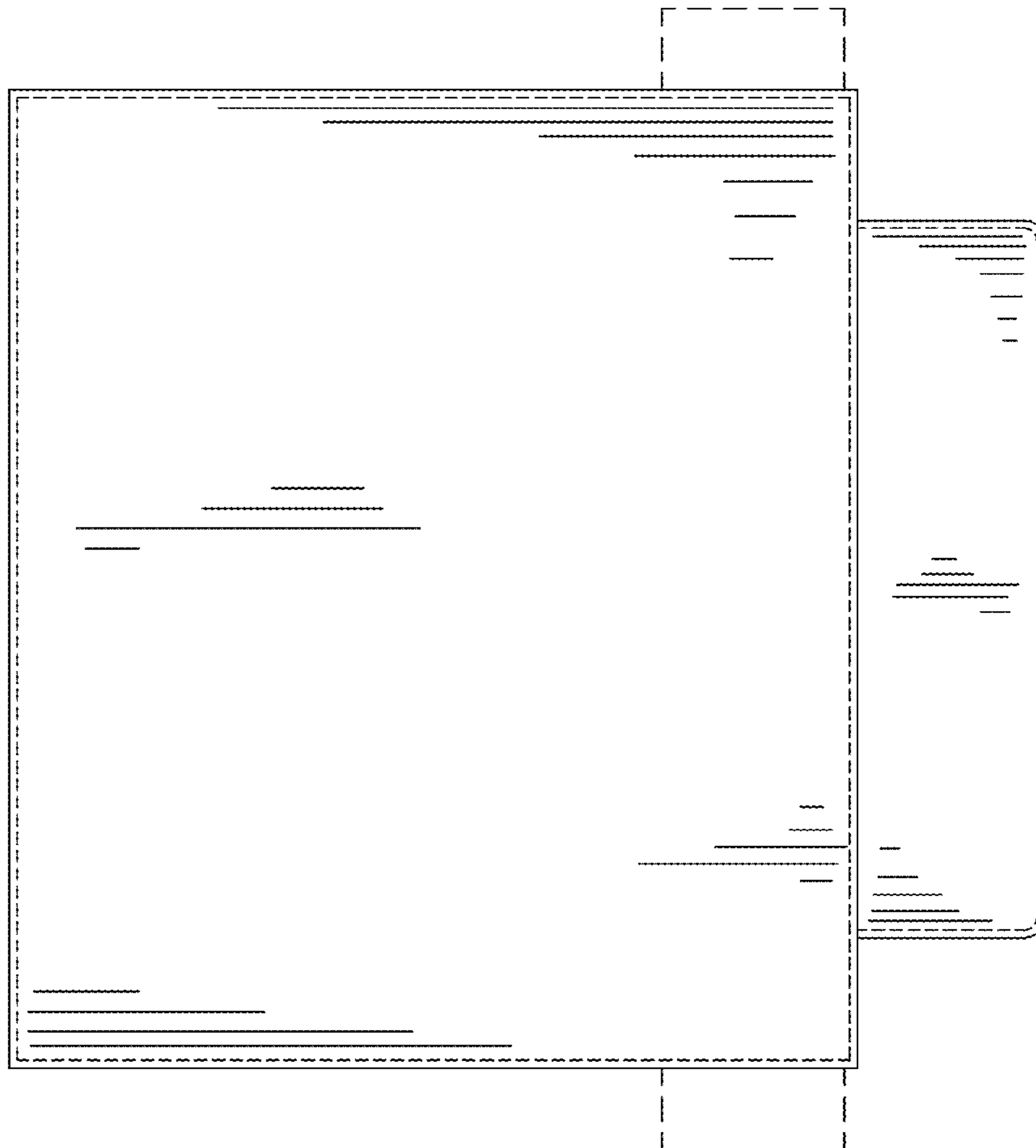


FIG. 5

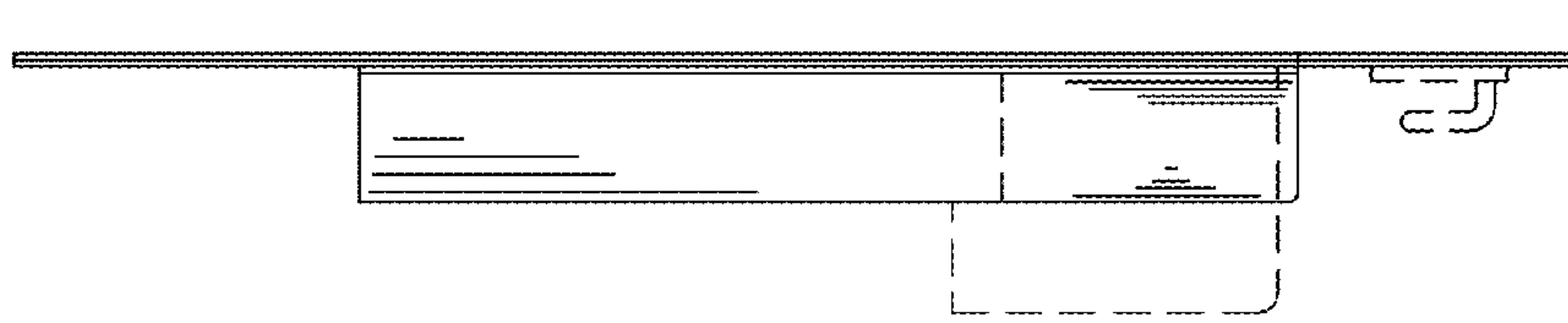


FIG. 4

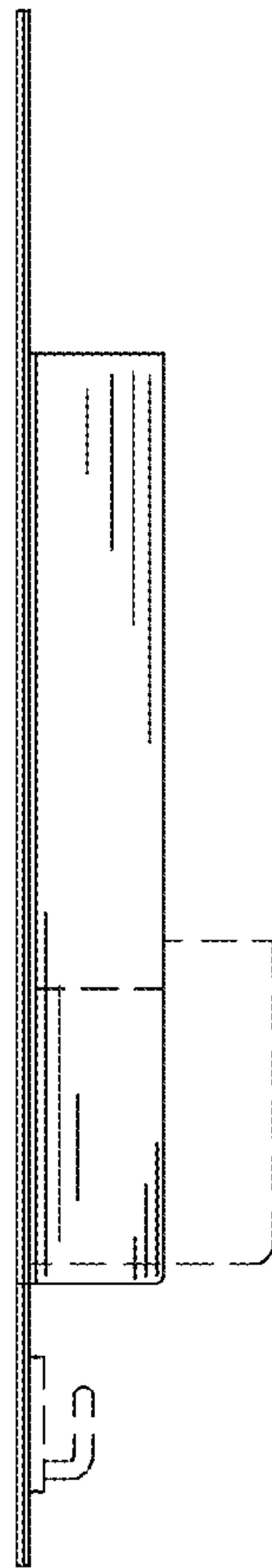


FIG. 6

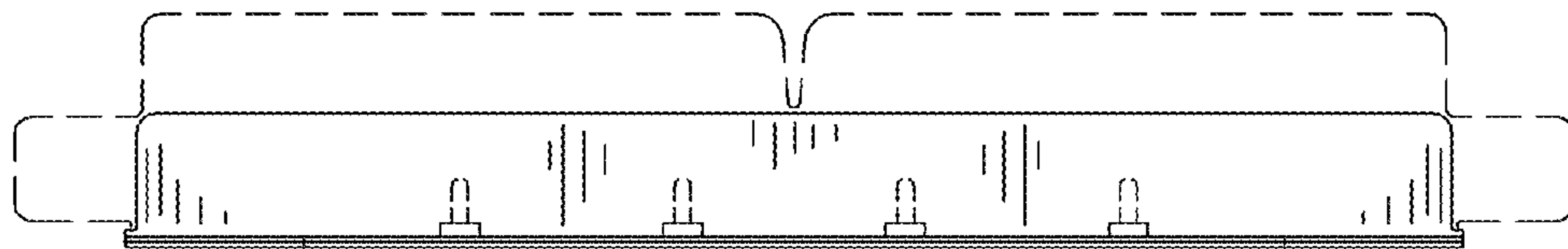


FIG. 7