



US00D688064S

(12) **United States Design Patent**
Couture

(10) **Patent No.:** **US D688,064 S**

(45) **Date of Patent:** **** Aug. 20, 2013**

(54) **SHOWER CADDY**

(71) Applicant: **Artika for Living Inc.**, Dorval (CA)

(72) Inventor: **Marc Couture**, Lachine (CA)

(73) Assignee: **Artika for Living Inc.**, Dorval (CA)

(**) Term: **14 Years**

(21) Appl. No.: **29/439,604**

(22) Filed: **Dec. 13, 2012**

(51) **LOC (9) Cl.** **06-04**

(52) **U.S. Cl.**
USPC **D6/562**; D6/566

(58) **Field of Classification Search**
USPC D6/524, 562, 546-550, 527, 532-53,
D6/535, 574, 566, 433; D8/300, 315-320;
D23/271, 303, 304; 211/13.1, 71.01, 86.01,
211/87.01, 88.01, 88.04, 90.01, 123, 126.1,
211/133.1, 134; 248/220.1, 235, 251, 309.1

See application file for complete search history.

(56) **References Cited**

U.S. PATENT DOCUMENTS

D188,332 S *	7/1960	Salen	D6/562
D417,991 S *	12/1999	Hofman et al.	D6/562
D475,560 S *	6/2003	Suero, Jr.	D6/562
D572,502 S *	7/2008	Yang et al.	D6/562
D641,193 S *	7/2011	Vaccaro	D6/566

* cited by examiner

Primary Examiner — Brian N Vinson

(74) *Attorney, Agent, or Firm* — Brouillette & Partners;
François Cartier; Robert Brouillette

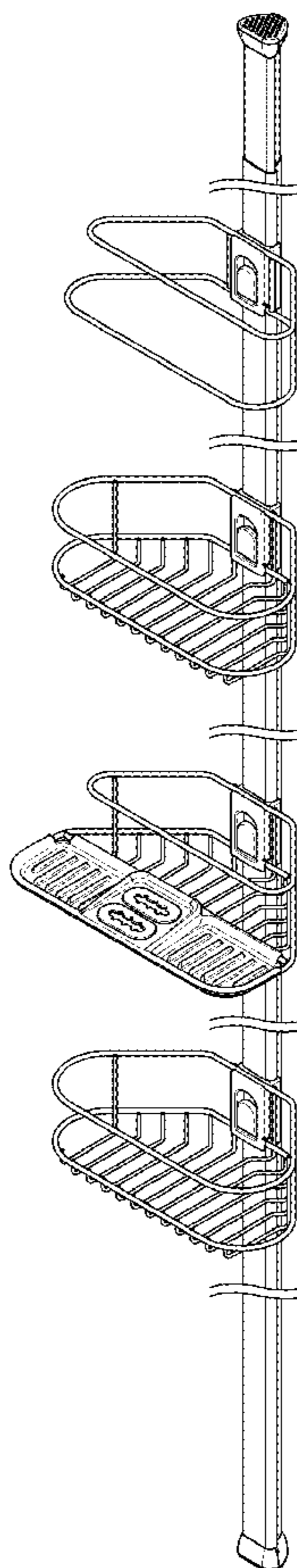
(57) **CLAIM**

The ornamental design for a shower caddy, as shown.

DESCRIPTION

FIG. 1 is a front perspective view of the shower caddy;
FIG. 2 is a rear perspective view of the shower caddy;
FIG. 3 is a left side view of the shower caddy;
FIG. 4 is a front view of the shower caddy;
FIG. 5 is a right side view of the shower caddy;
FIG. 6 is a rear view of the shower caddy;
FIG. 7 is a top view of the shower caddy; and,
FIG. 8 is a bottom view of the shower caddy.
The vertical pole element in the views is shown broken away
at multiple points to indicate an unclaimed height.

1 Claim, 4 Drawing Sheets



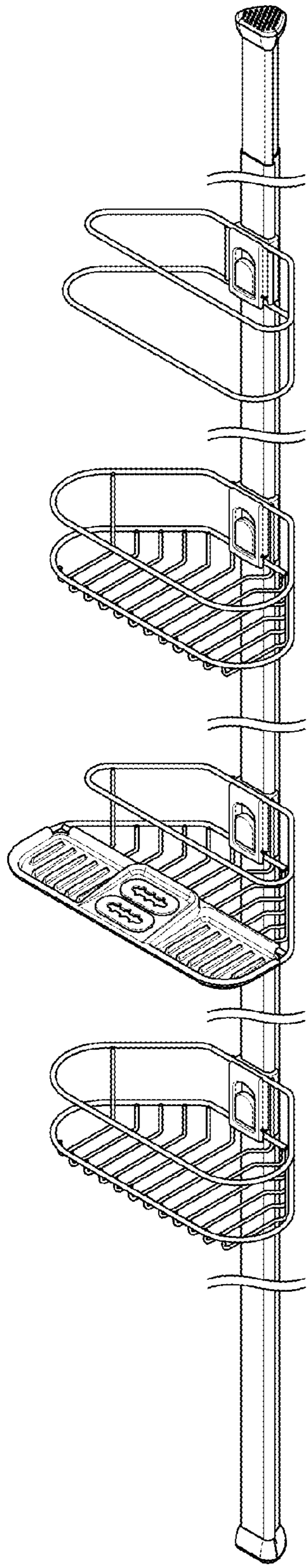


FIG 1

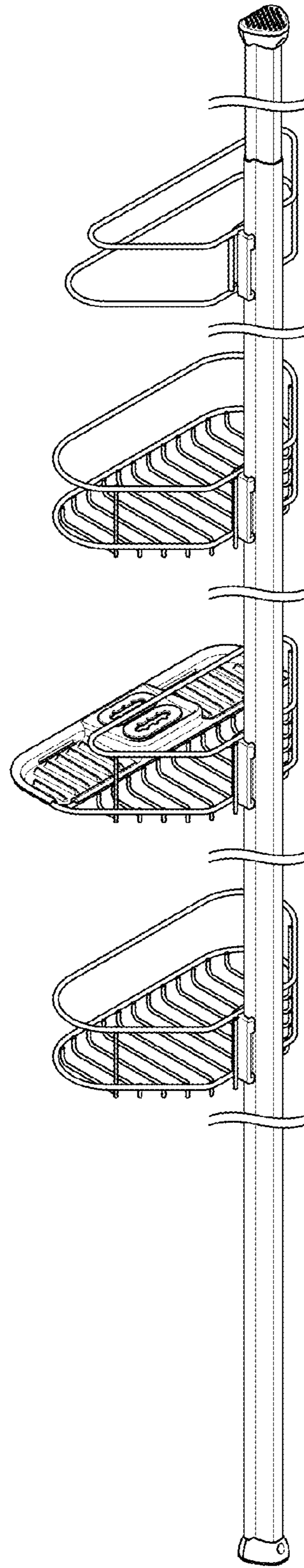


FIG 2

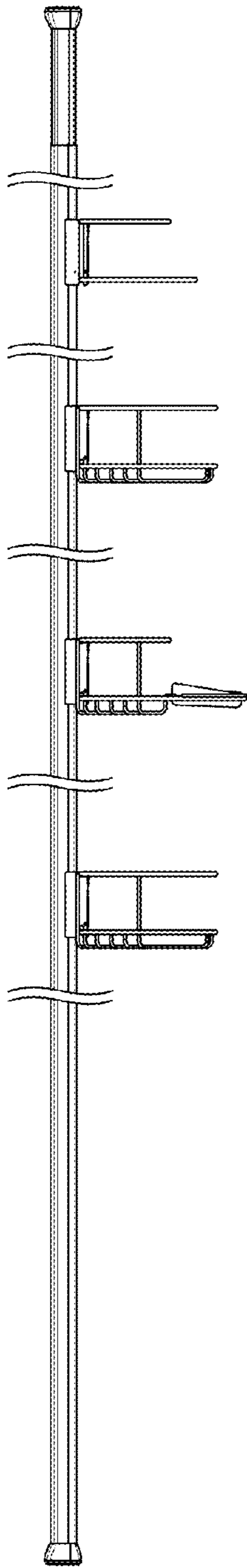


FIG 3

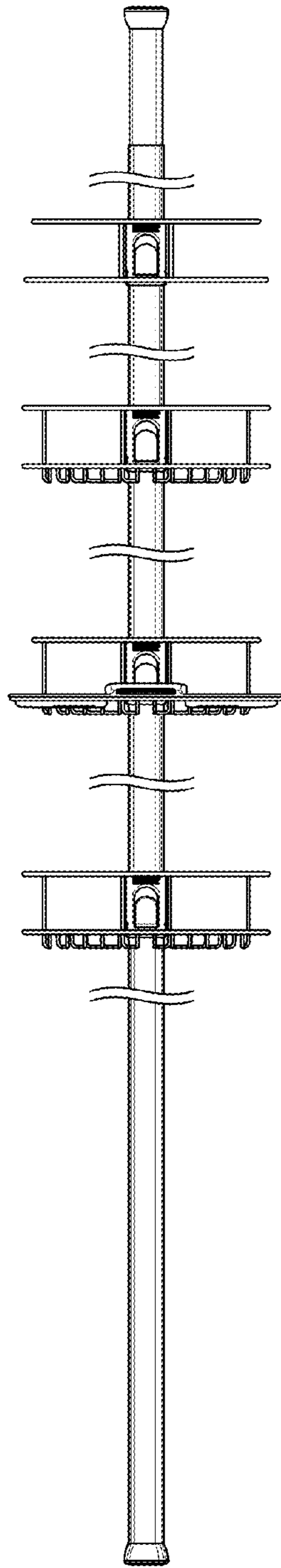


FIG 4

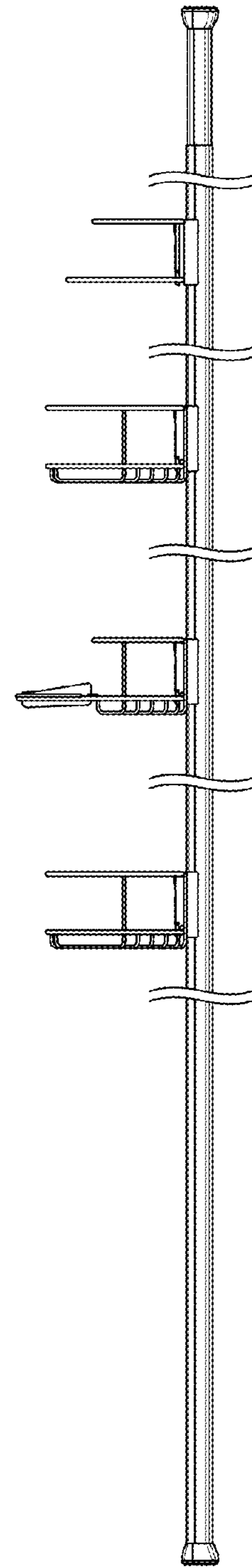


FIG 5

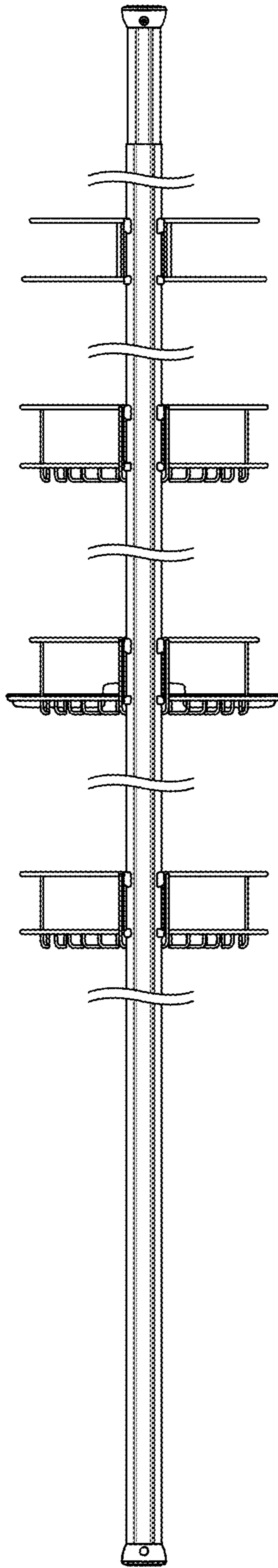


FIG 6

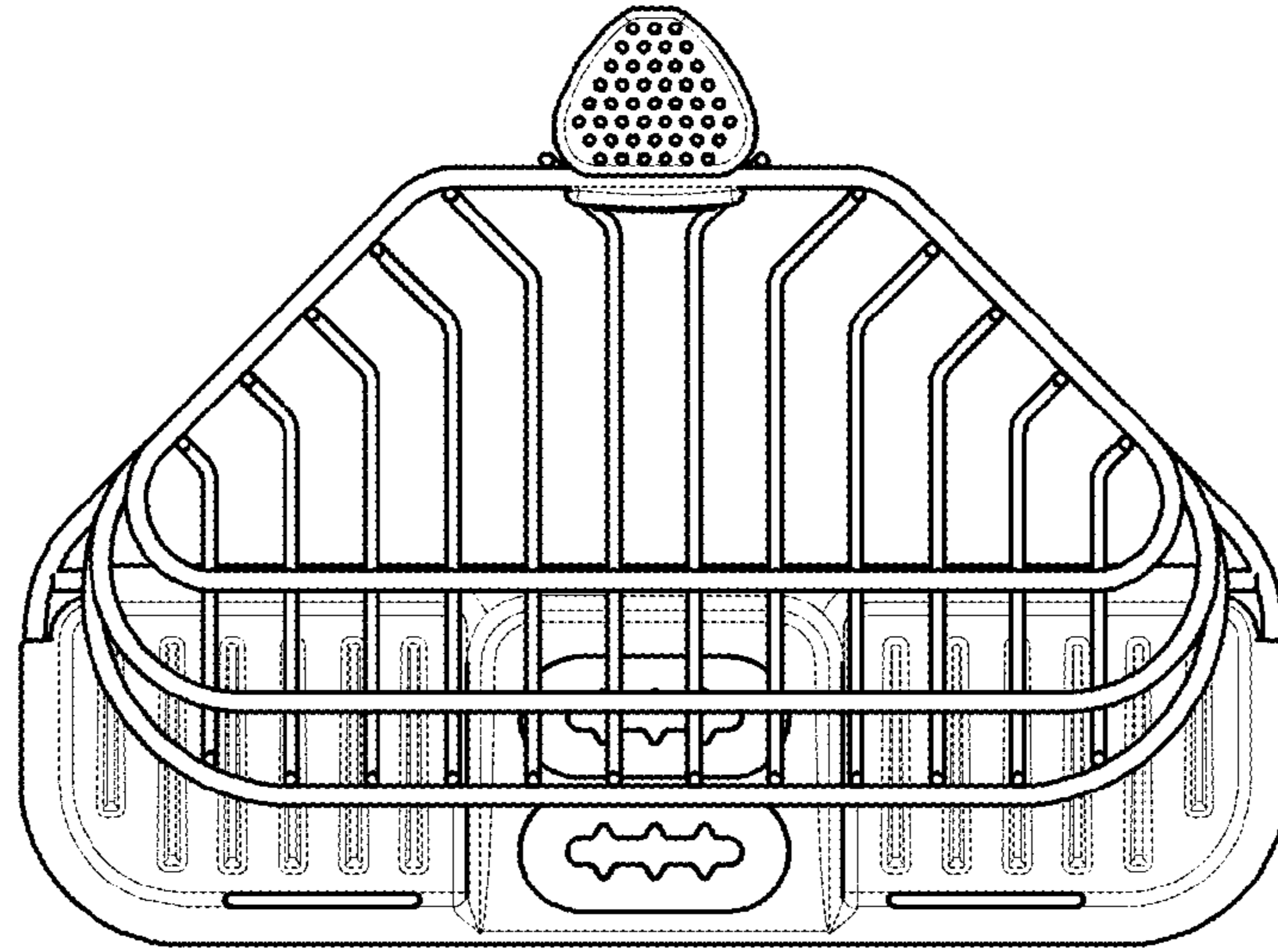


FIG 7

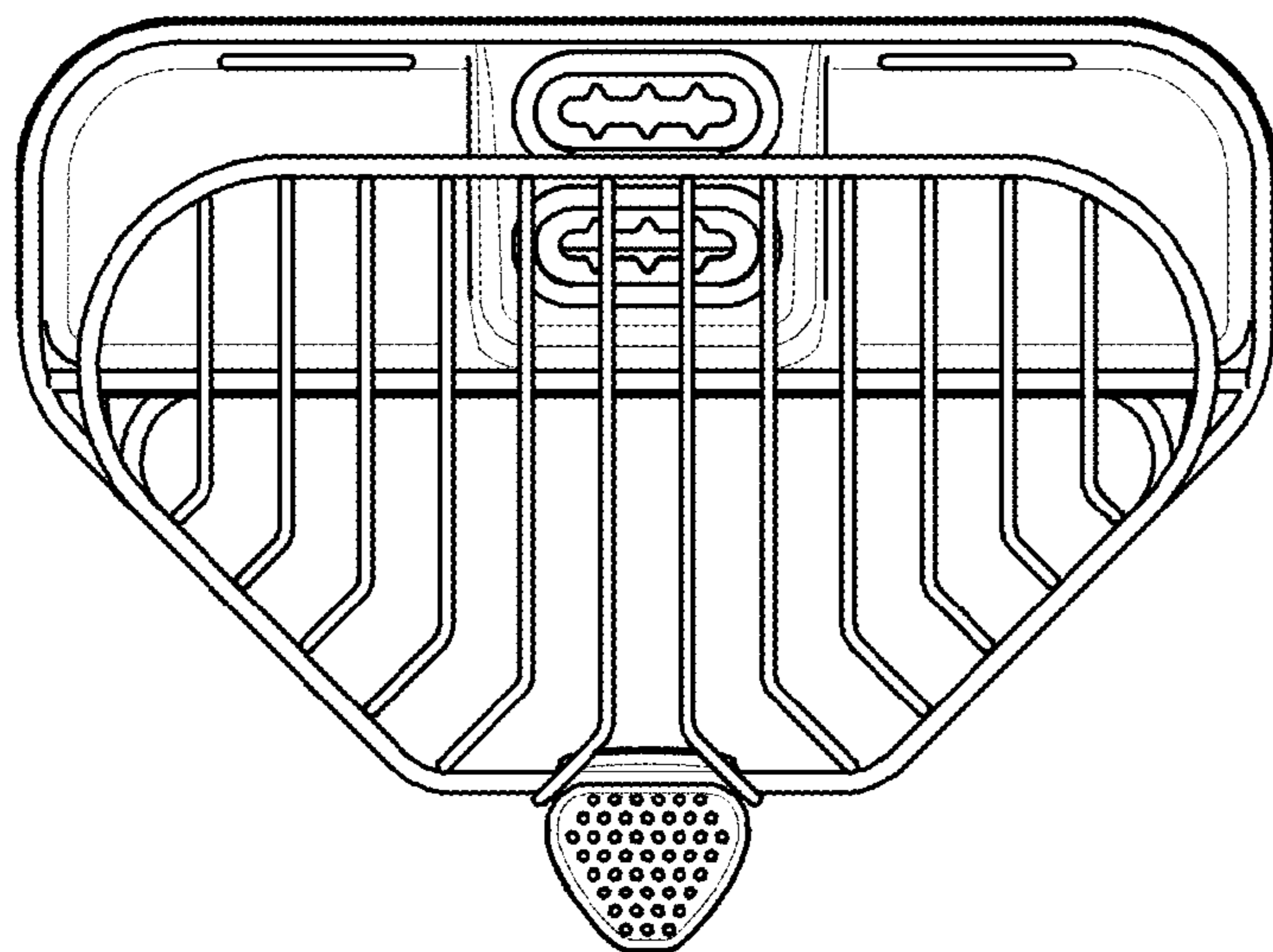


FIG 8