



US00D688063S

(12) **United States Design Patent**
Delaney, III et al.

(10) **Patent No.:** **US D688,063 S**

(45) **Date of Patent:** **** Aug. 20, 2013**

(54) **WIPES CANNISTER**

(71) Applicants: **Robert J. Delaney, III**, Slidell, LA (US); **Christopher Montgomery**, Mandeville, LA (US); **Donald Scott Rogers**, Lafayette, LA (US); **Billy James McDonald**, Lafayette, LA (US)

(72) Inventors: **Robert J. Delaney, III**, Slidell, LA (US); **Christopher Montgomery**, Mandeville, LA (US); **Donald Scott Rogers**, Lafayette, LA (US); **Billy James McDonald**, Lafayette, LA (US)

(73) Assignee: **Bob's Butt Wipes, L.L.C.**, Slidell, LA (US)

(**) Term: **14 Years**

(21) Appl. No.: **29/436,531**

(22) Filed: **Nov. 7, 2012**

(51) **LOC (9) Cl.** **20-02**

(52) **U.S. Cl.**
USPC **D6/518**

(58) **Field of Classification Search**
USPC D6/515, 518-523; D3/201; 206/389, 206/391, 407, 409; 312/34.1, 34.8; 211/16, 211/85.5, 59.2; 221/92, 97, 185, 282, 284; 242/159, 160.2, 550, 560, 590, 594, 59, 588, 242/598, 598.3, 598.65

See application file for complete search history.

(56) **References Cited**

U.S. PATENT DOCUMENTS

D417,351 S	*	12/1999	Scavuzzo	D6/515
D481,893 S	*	11/2003	Walther et al.	D6/518
D546,602 S	*	7/2007	Chasid et al.	D6/518
D669,716 S	*	10/2012	Razavi et al.	D6/518

* cited by examiner

Primary Examiner — Brian N Vinson

(74) *Attorney, Agent, or Firm* — Garvey, Smith, Nehrbass & North, L.L.C.; Brett A. North

(57) **CLAIM**

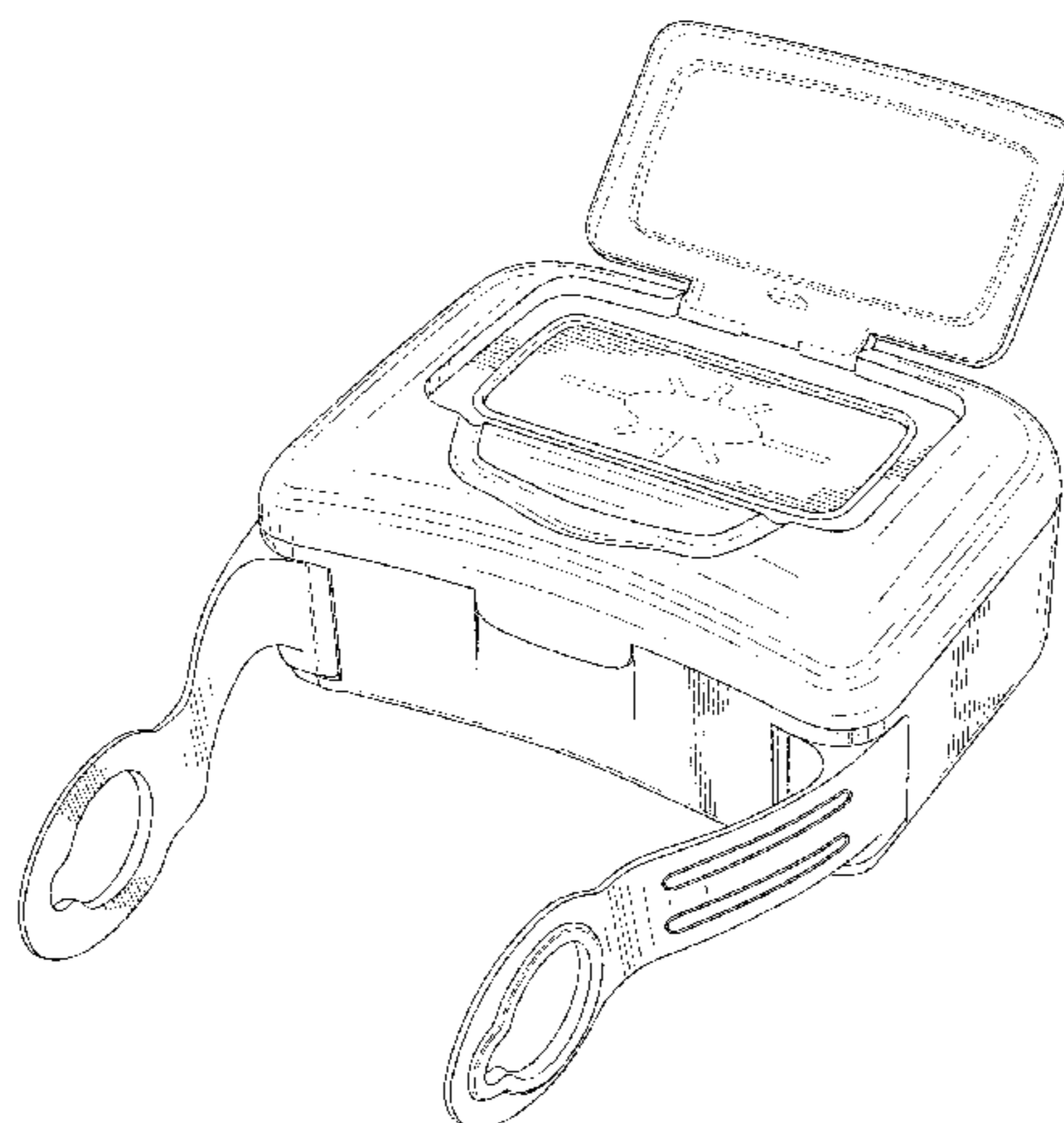
The ornamental design for a wipes canister, as shown and described.

DESCRIPTION

FIG. 1 is an upper front perspective view with the support arms collapsed with upper lid and middle section closed;
 FIG. 2 is a lower front view with the support arms collapsed with upper lid and middle section closed;
 FIG. 3 is a front view with the support arms collapsed with upper lid and middle section closed;
 FIG. 4 is a rear view with the support arms collapsed with upper lid and middle section closed;
 FIG. 5 is a left side view with the support arms collapsed with upper lid and middle section closed;
 FIG. 6 is a right side view with the support arms collapsed with upper lid and middle section closed;
 FIG. 7 is a top view with the support arms collapsed with upper lid and middle section closed;
 FIG. 8 is a bottom view with the support arms collapsed with upper lid and middle section closed;
 FIG. 9 is an upper front perspective view with the support arms extended with upper lid open and middle section closed;
 FIG. 10 is a lower front view with the support arms extended and lower spacer extended;
 FIG. 11 is a front view with the support arms extended with upper lid open and middle section closed, and lower spacer extended;
 FIG. 12 is a rear view with the support arms extended with upper lid open and middle section closed, and lower spacer extended;
 FIG. 13 is a right side view with the support arms extended with upper lid open and middle section closed, and lower spacer extended;
 FIG. 14 is a top view with the support arms extended with upper lid open and middle section closed; and,
 FIG. 15 is a bottom view with the support arms extended with lower spacer extended.

The broken-line disclosure represents an unclaimed portion of the article in which the claimed design is embodied.

1 Claim, 15 Drawing Sheets



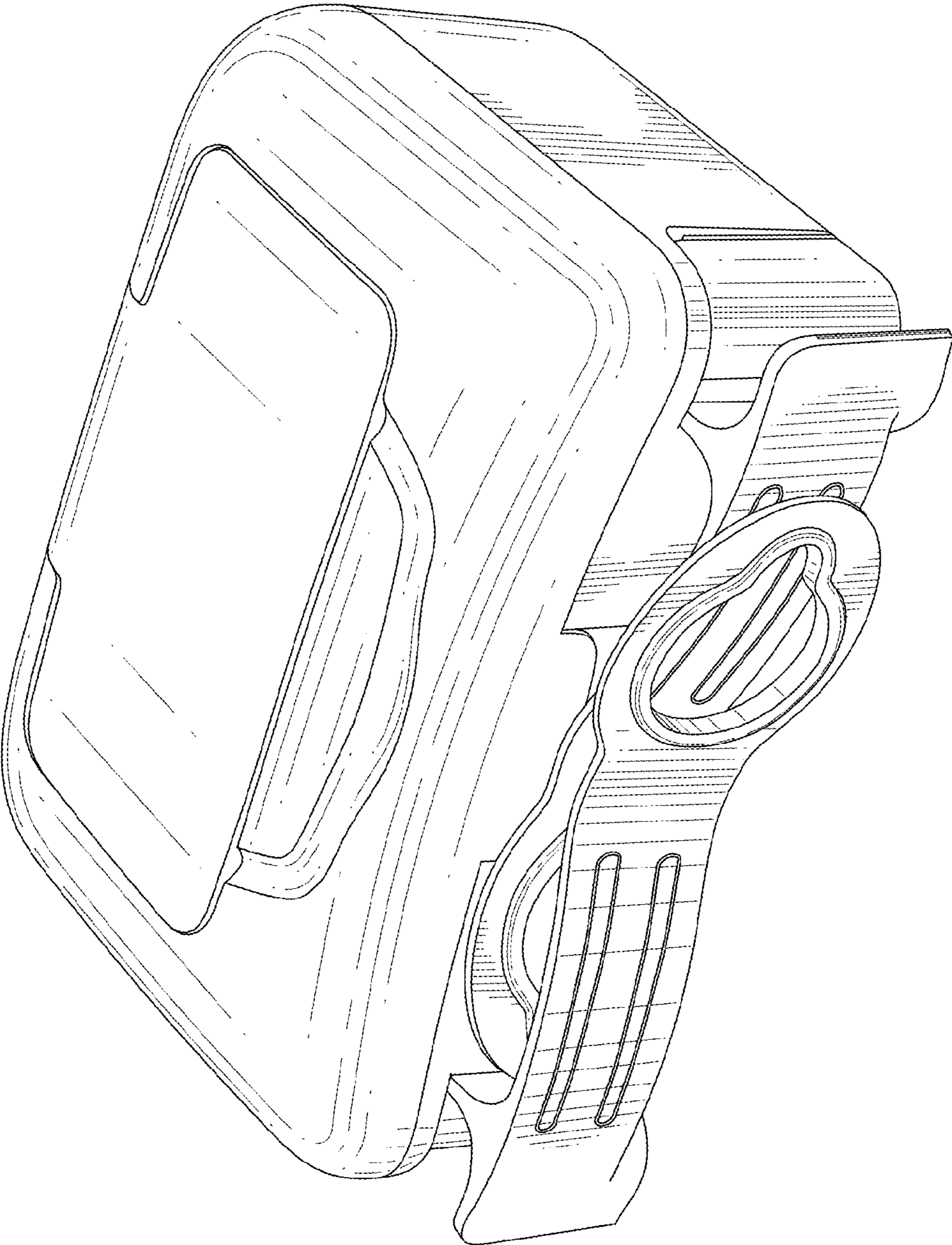


FIG. 1

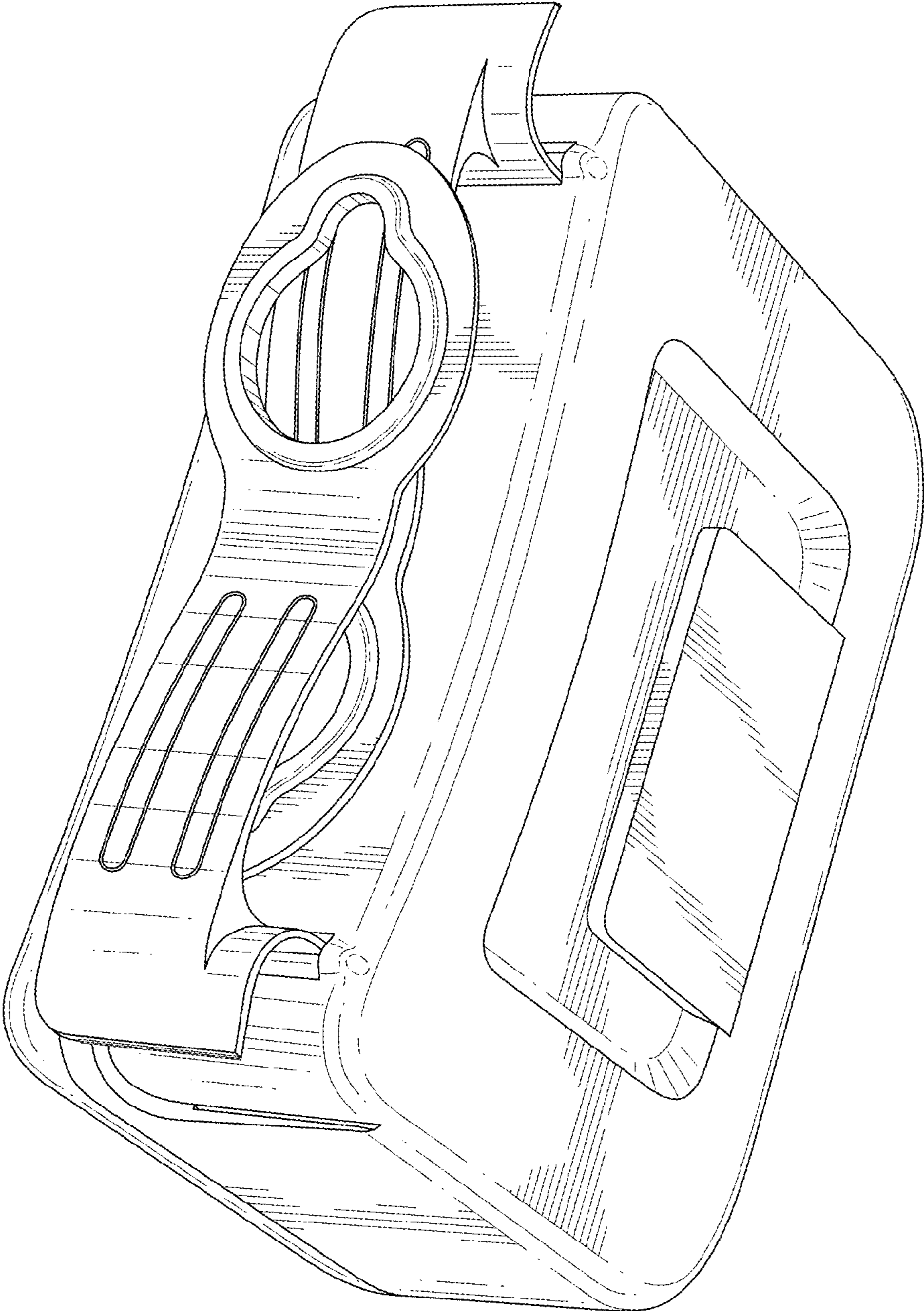


FIG. 2

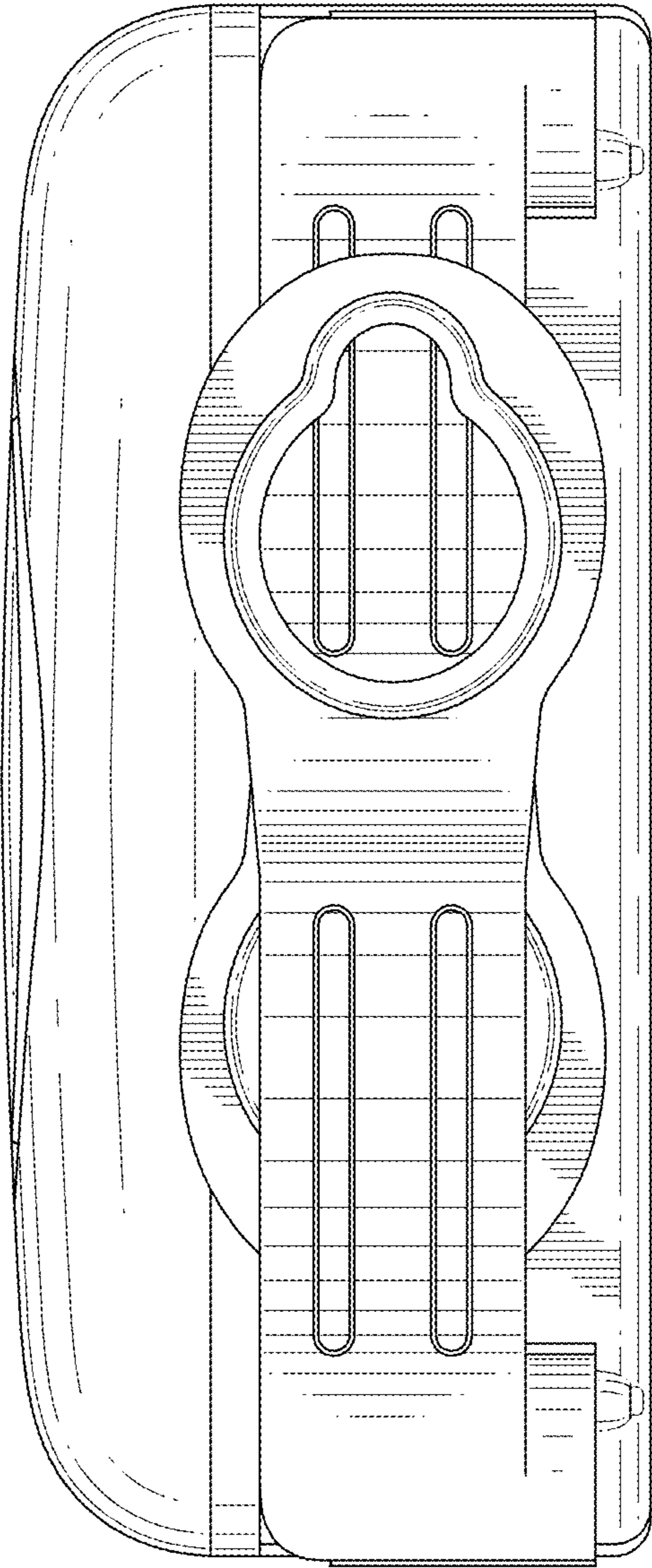


FIG. 3

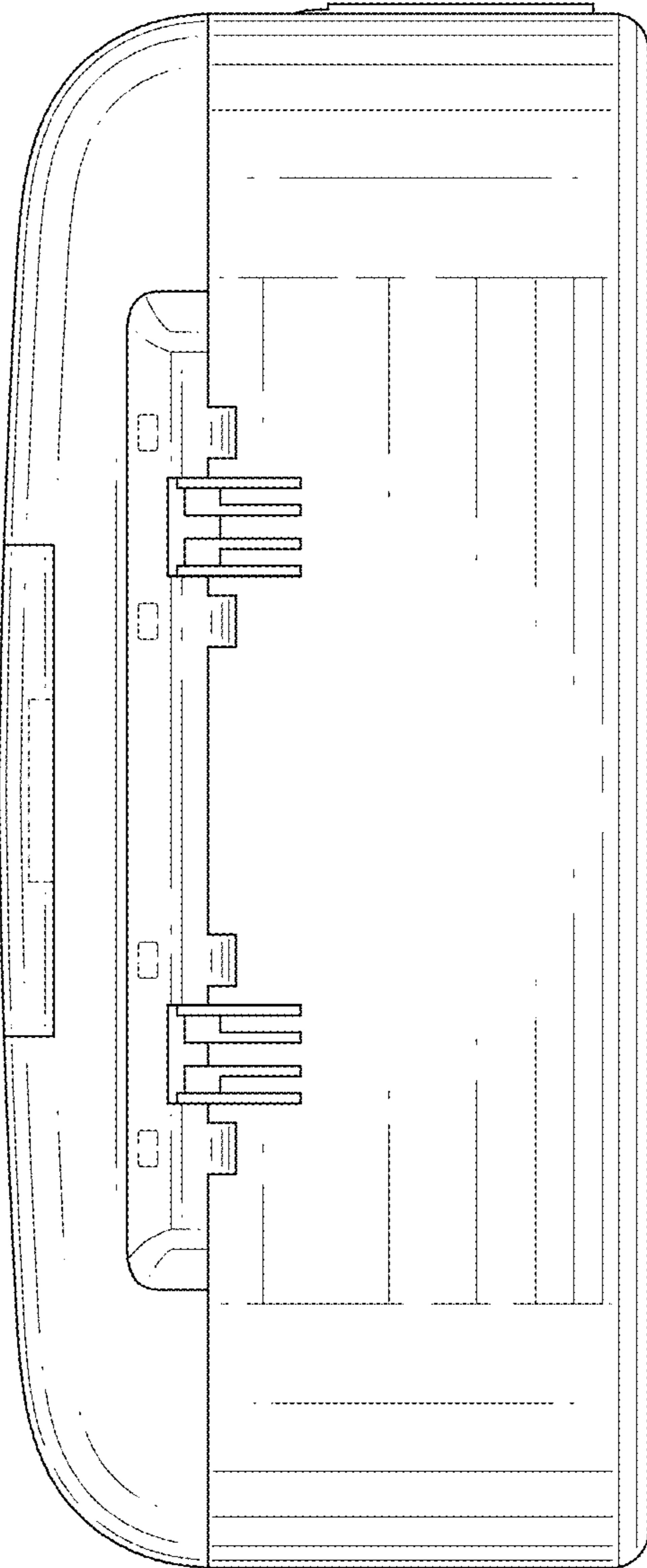


FIG.4

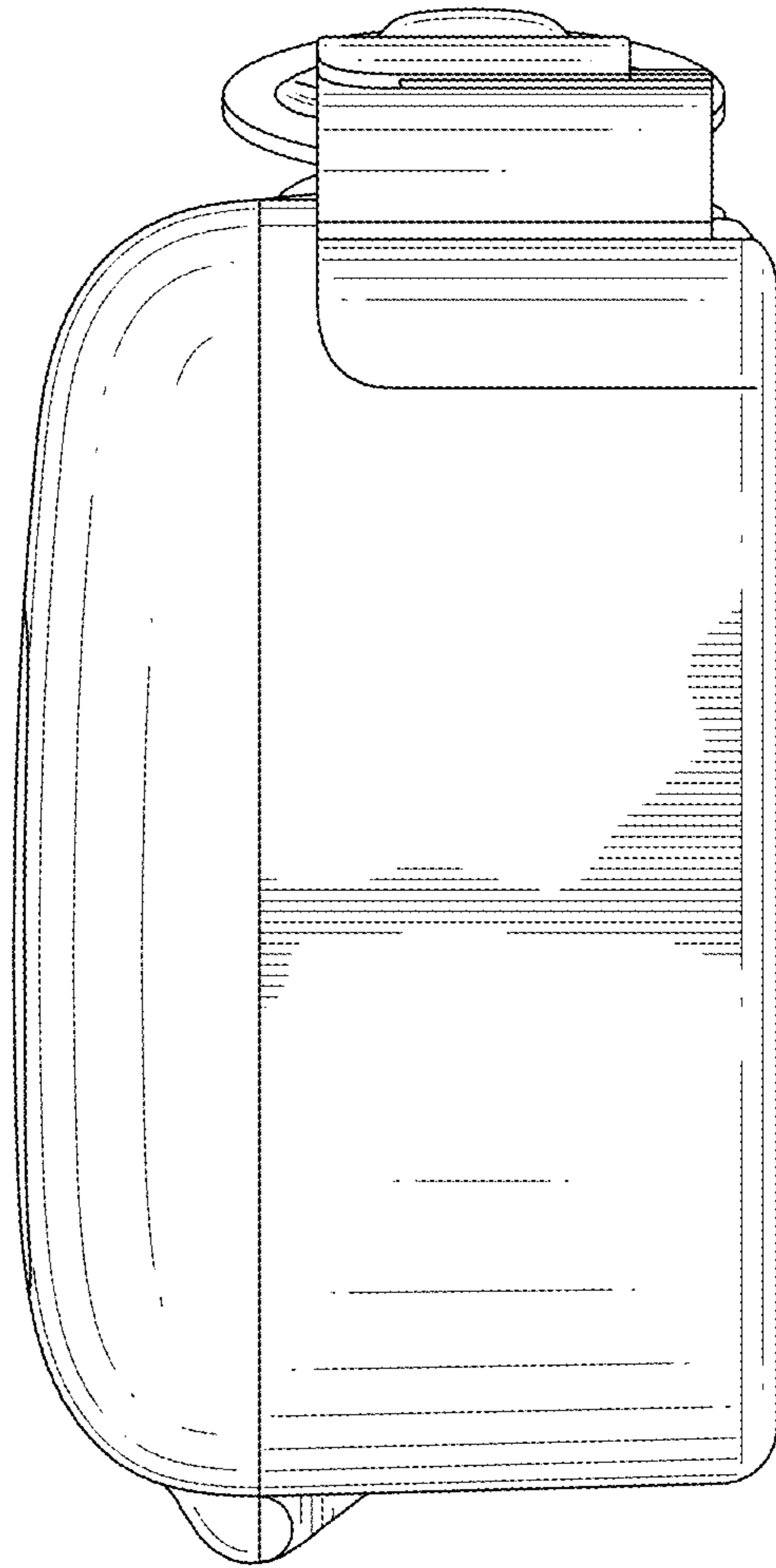


FIG. 5

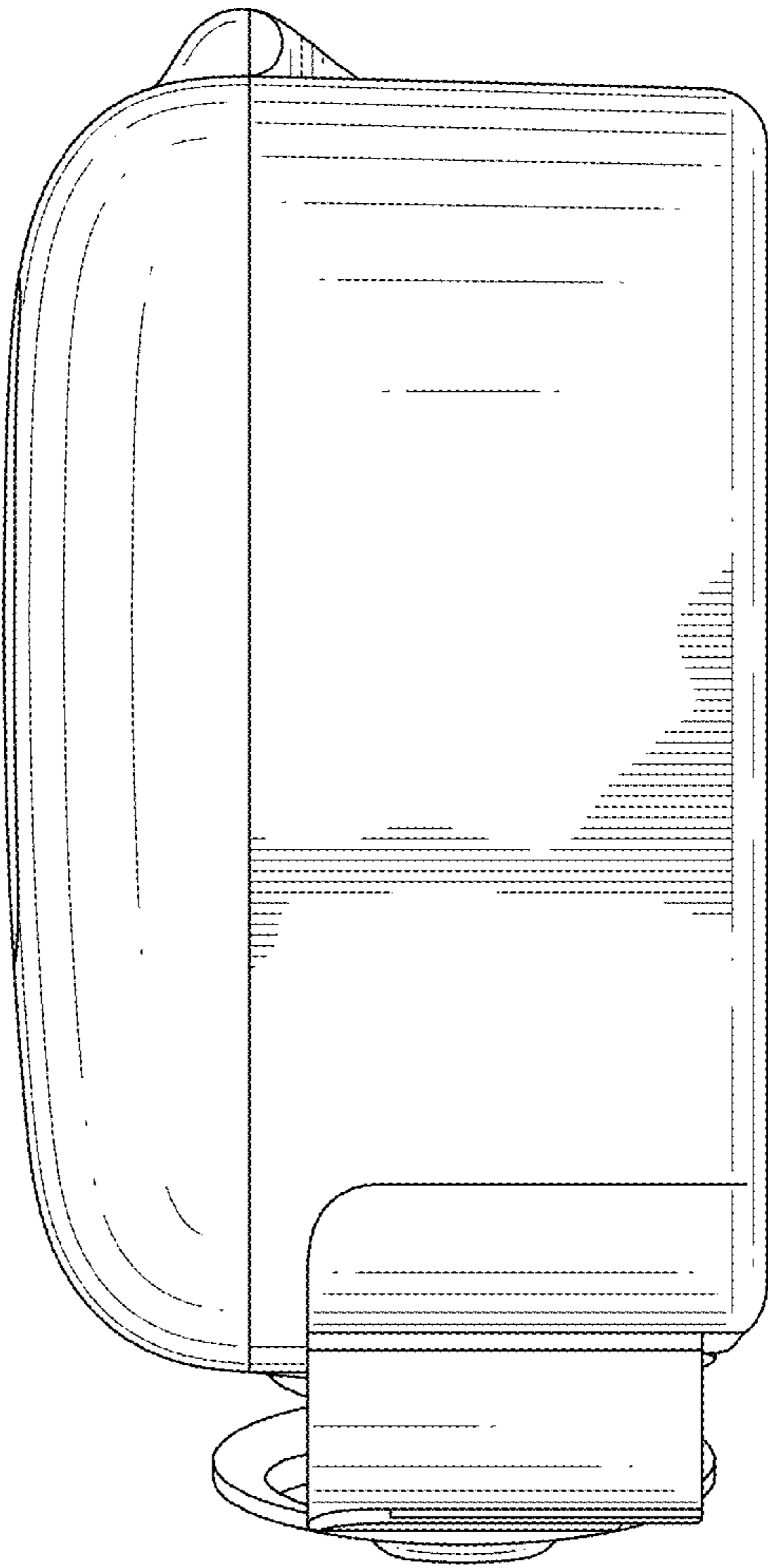


FIG. 6

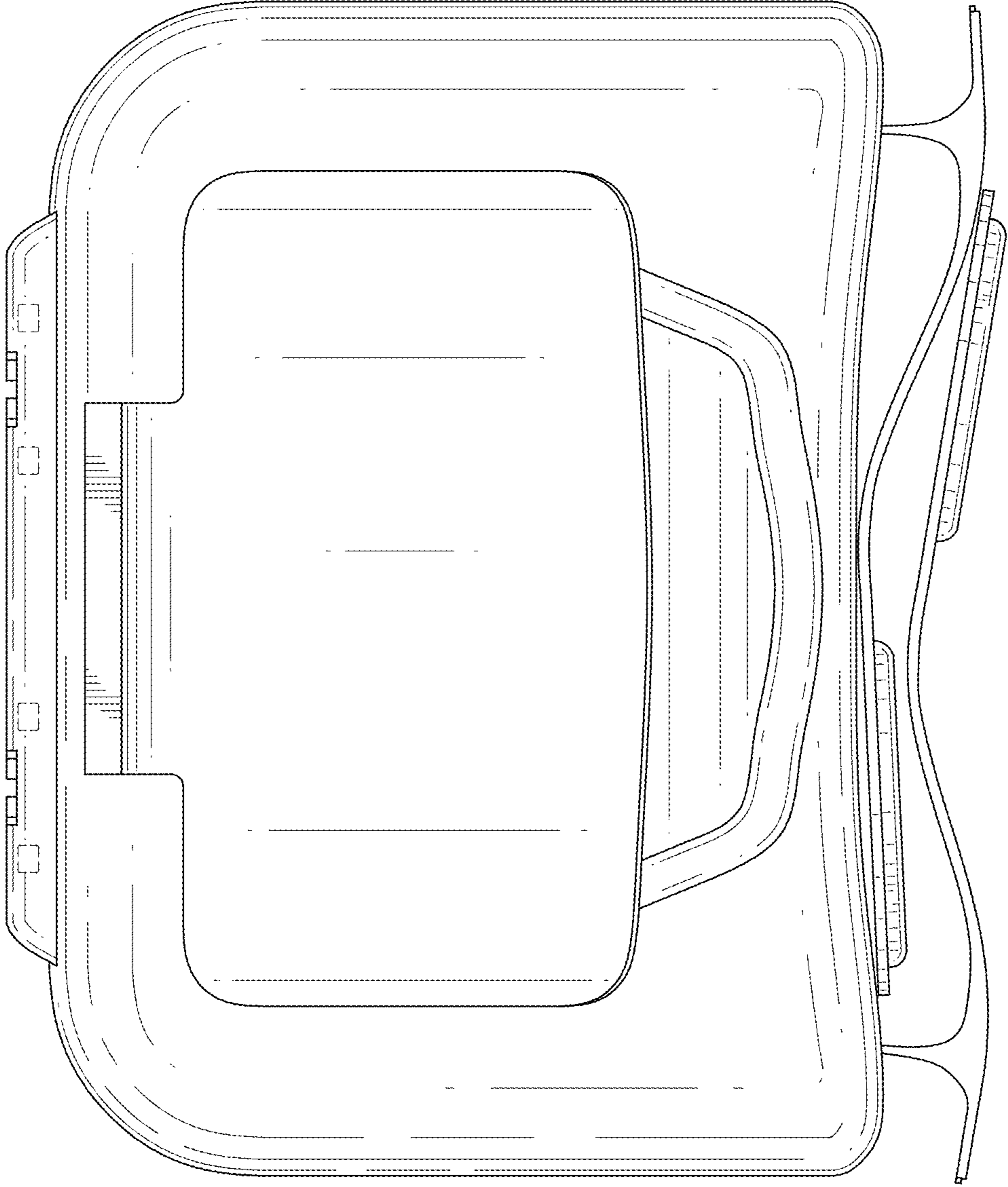


FIG. 7

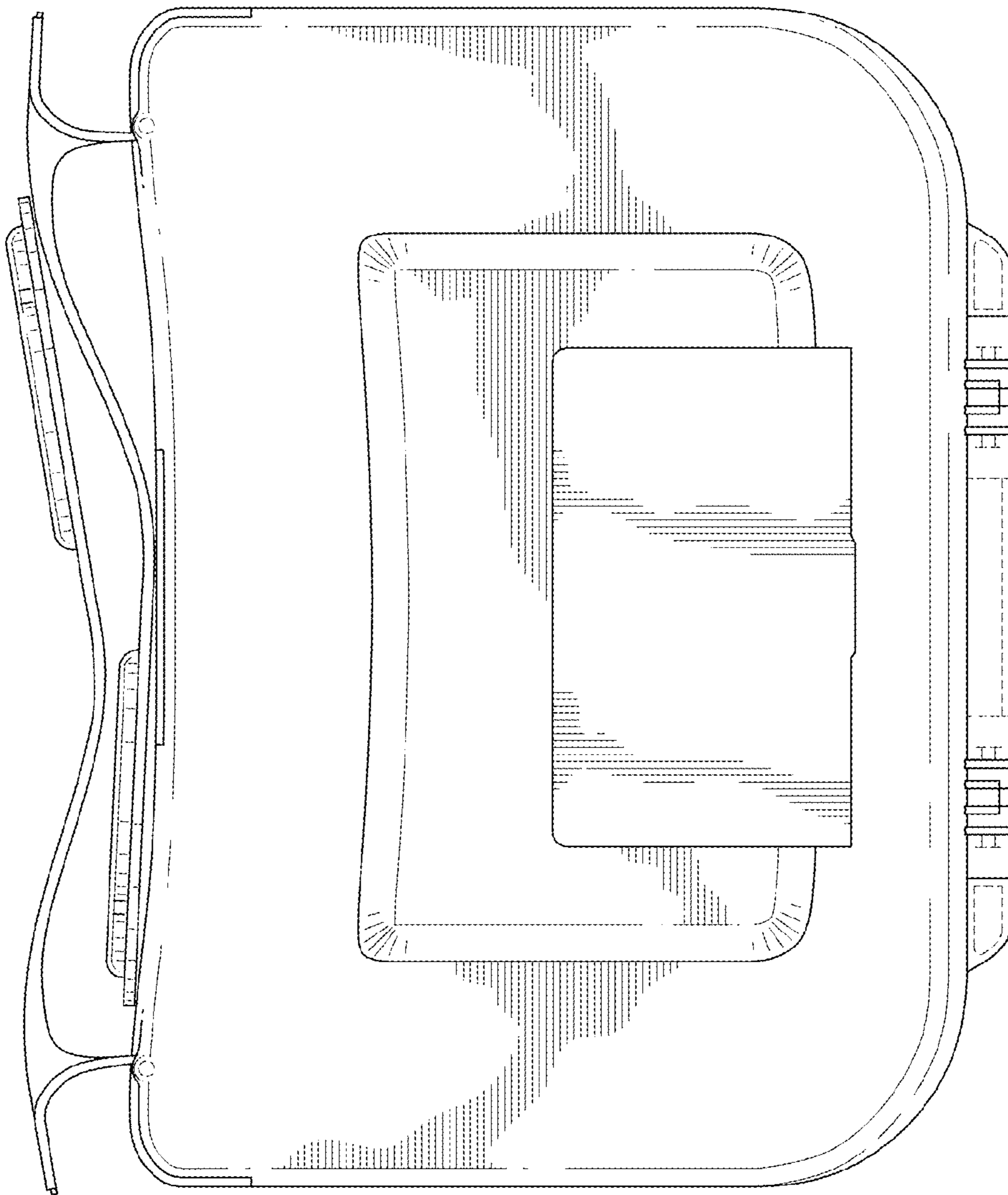


FIG. 8

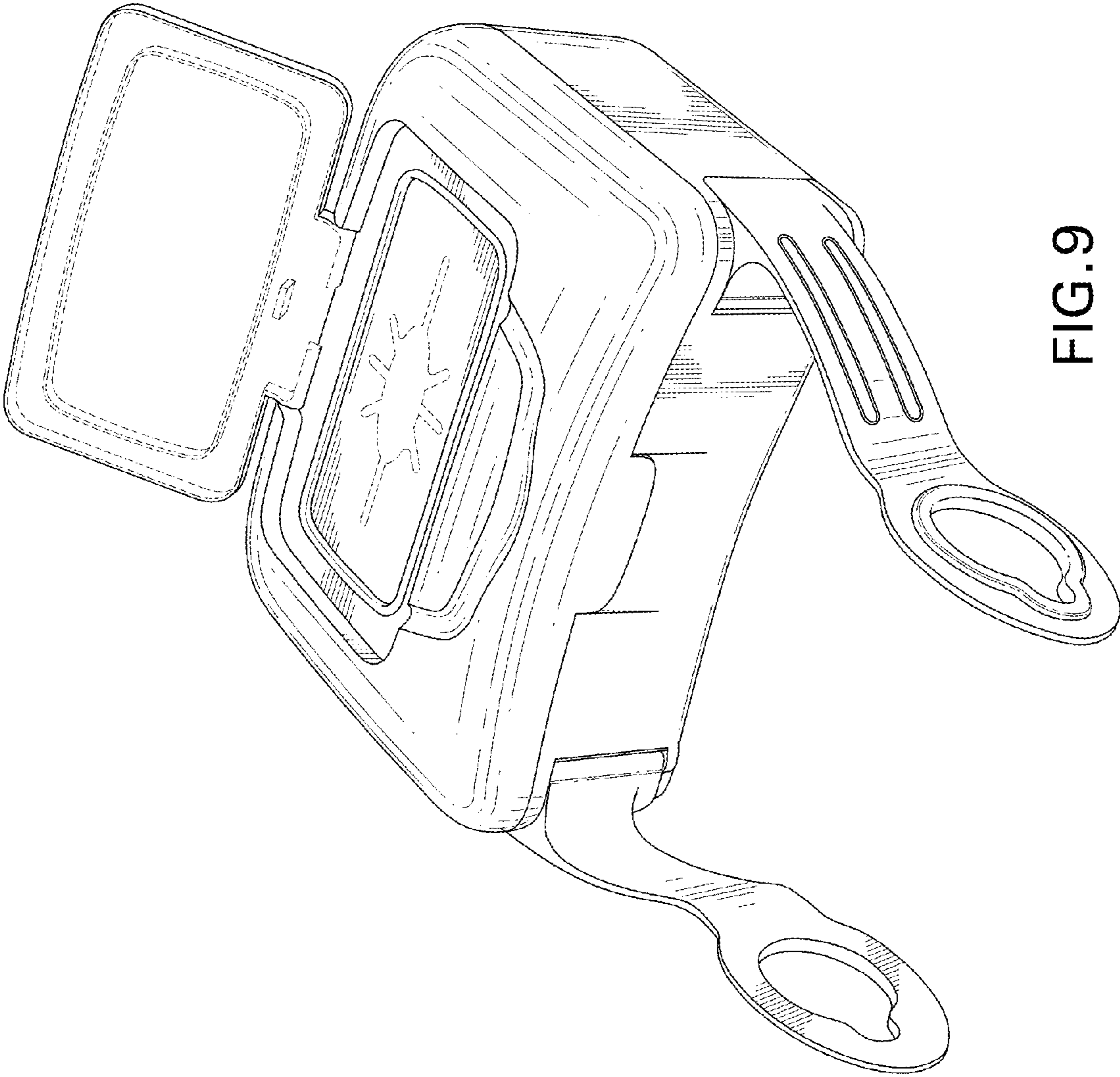


FIG. 9

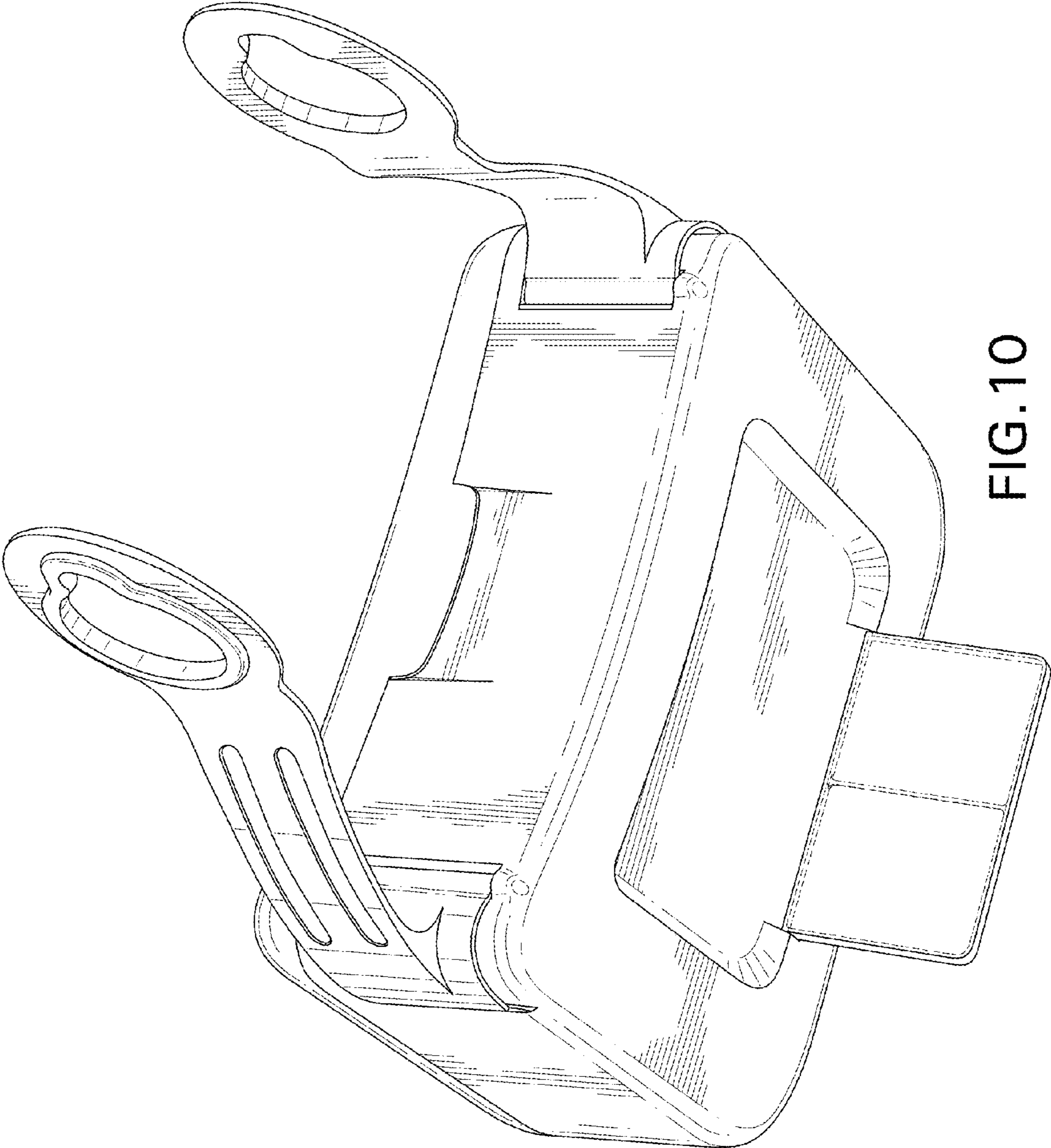


FIG. 10

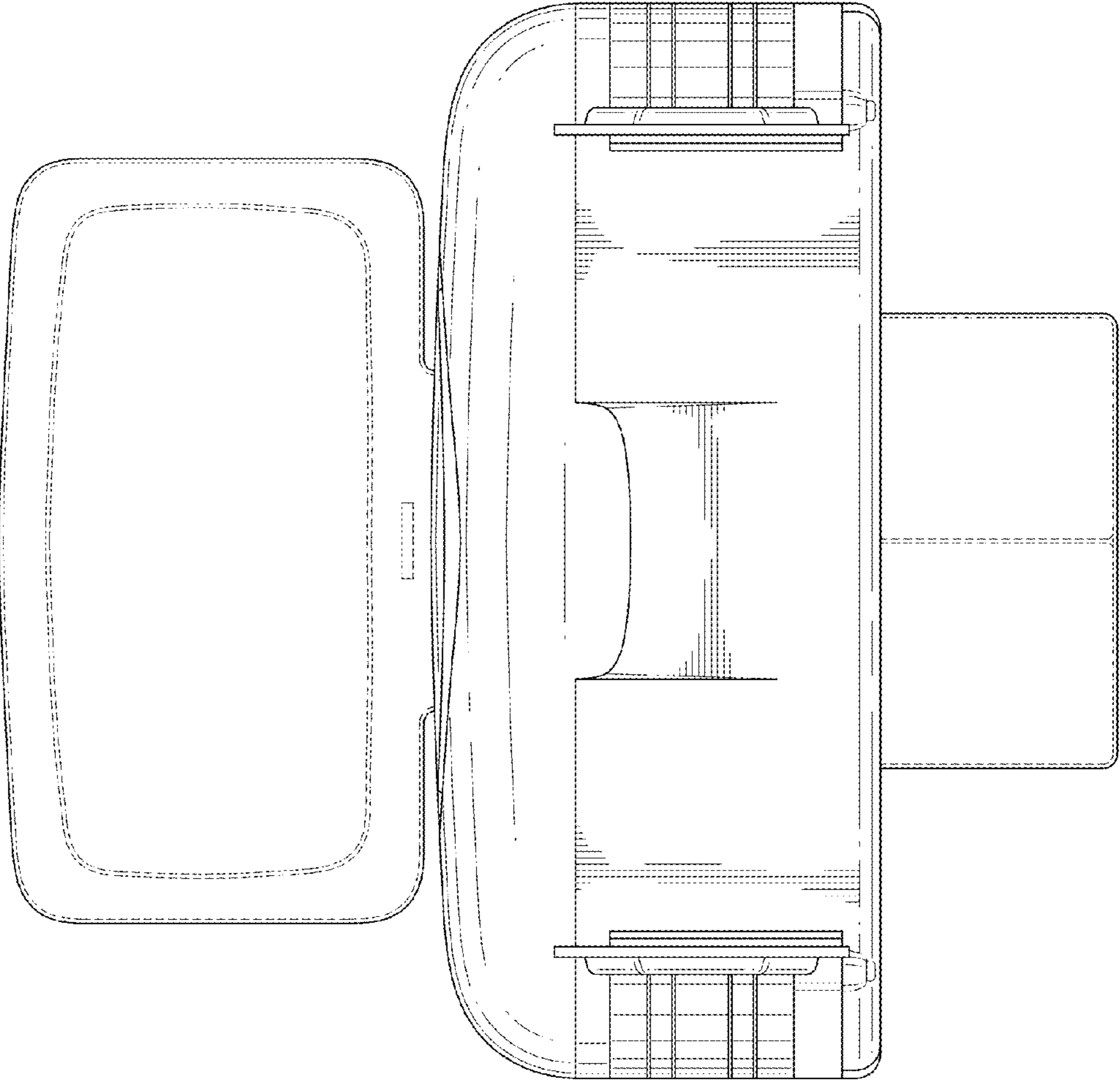


FIG.11

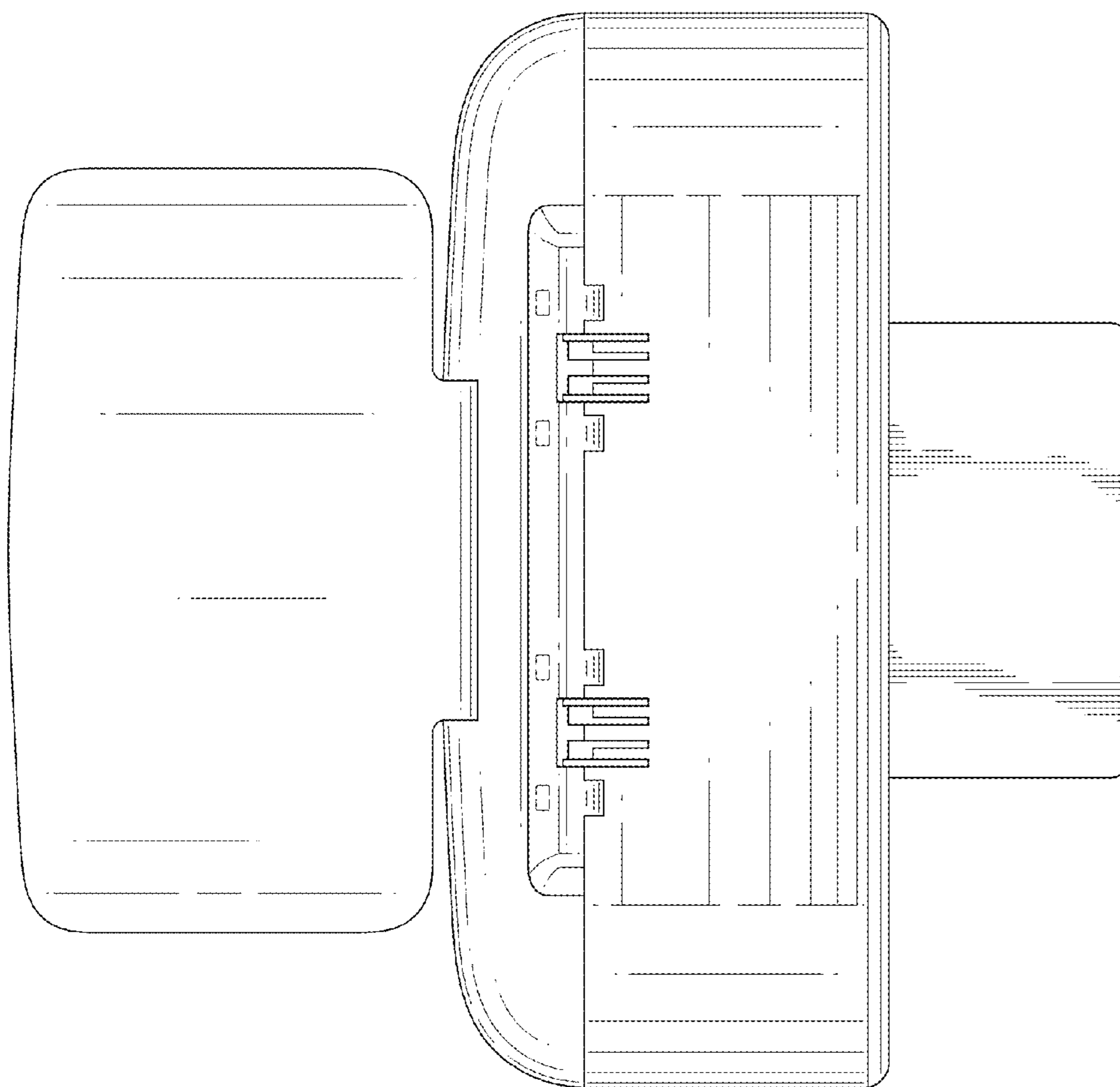


FIG.12

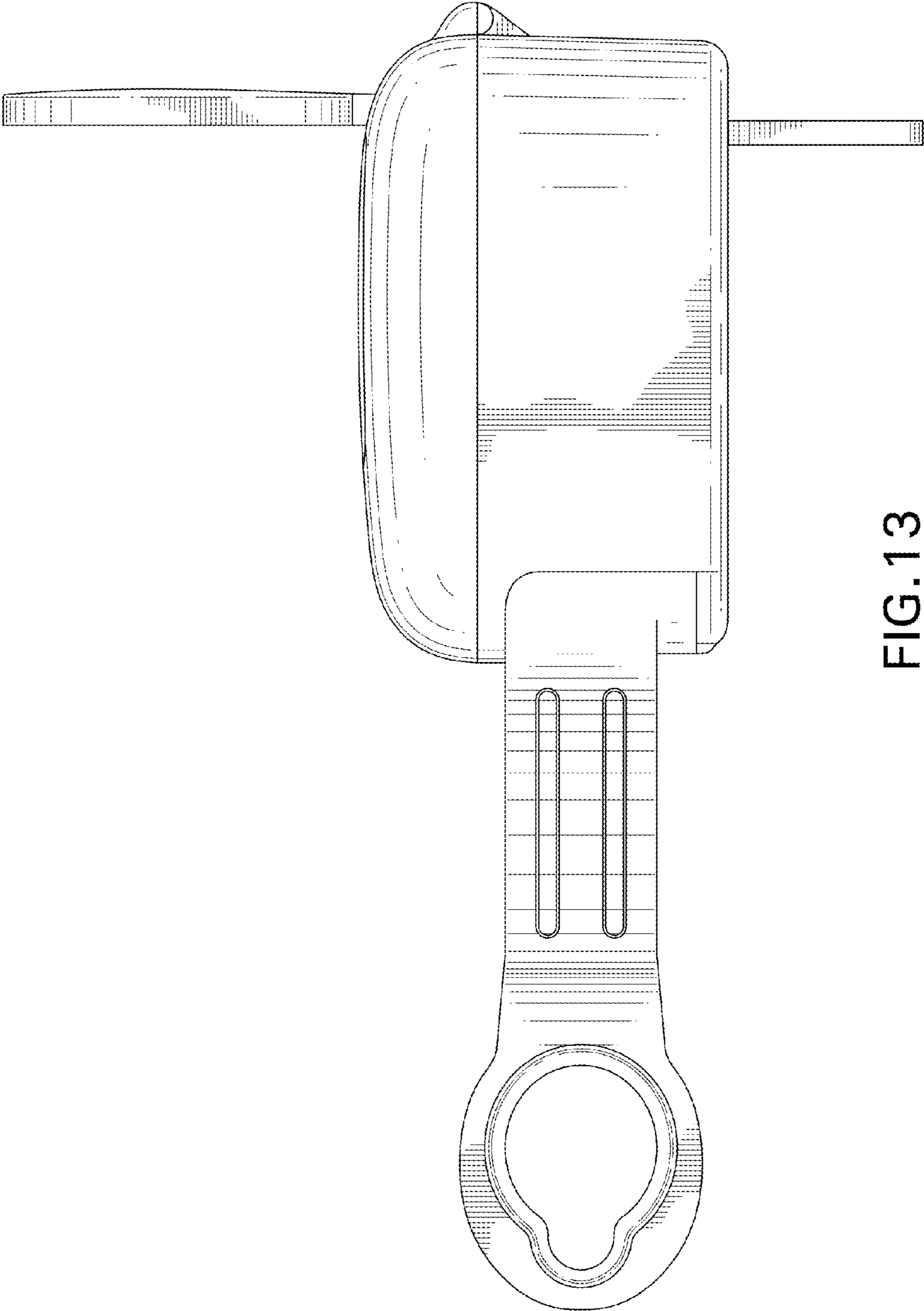


FIG. 13

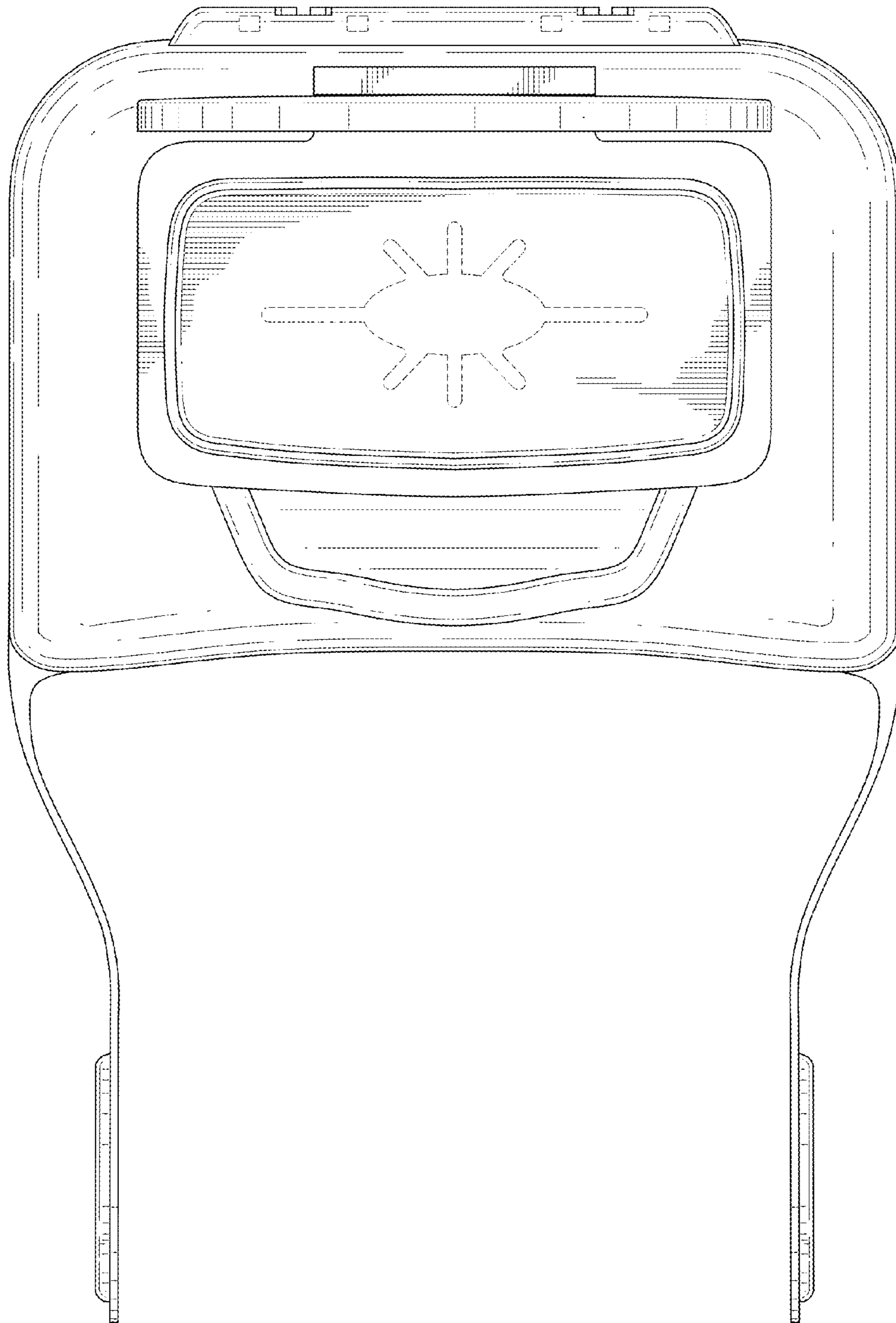


FIG. 14

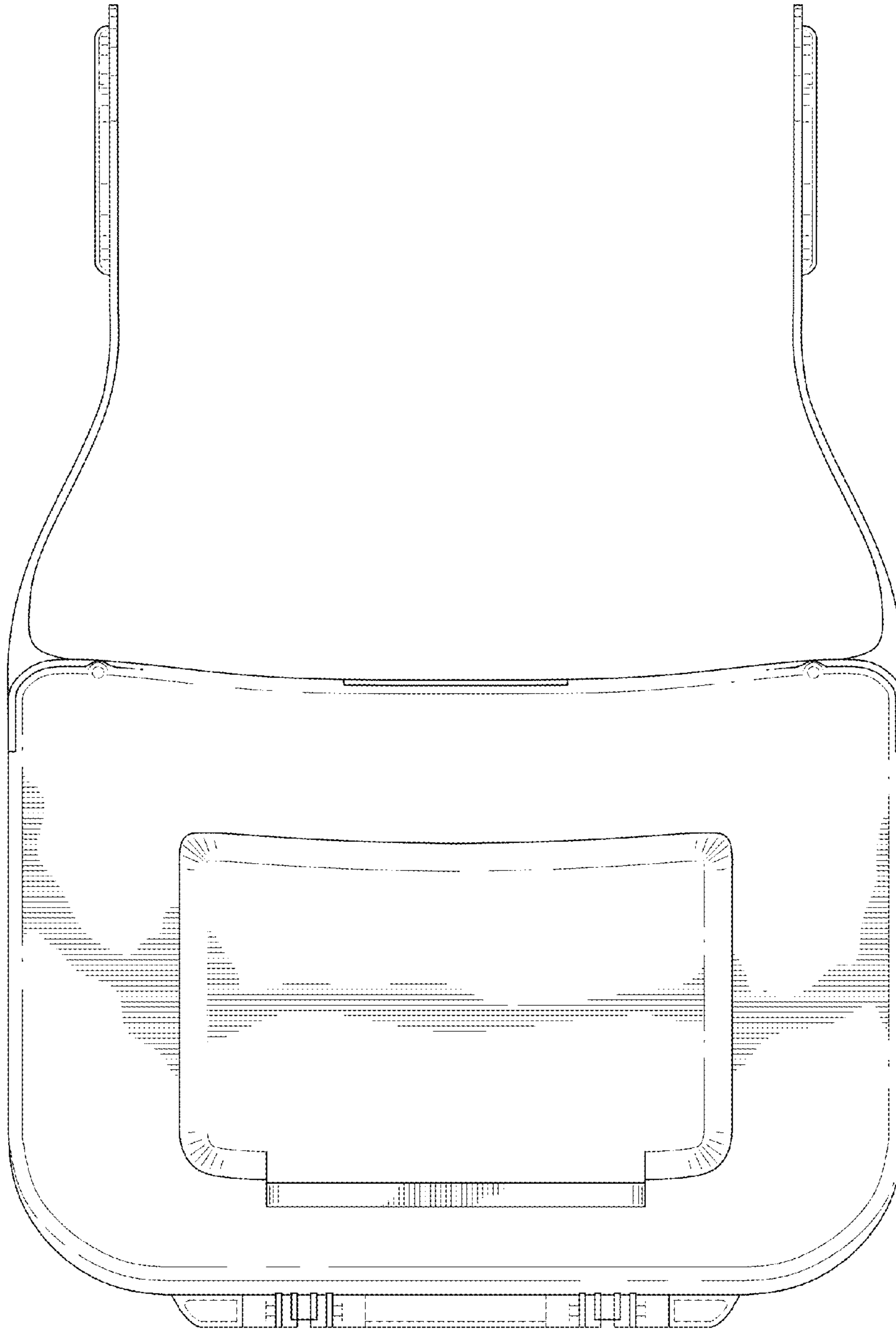


FIG. 15