



US00D688062S

(12) **United States Design Patent**  
**Dao et al.**

(10) **Patent No.:** **US D688,062 S**  
(45) **Date of Patent:** **\*\* Aug. 20, 2013**

(54) **STAND FOR A HAMMOCK**

(74) *Attorney, Agent, or Firm* — John Alunit

(76) Inventors: **Nguyen Trieu Dao**, Ho Chi Minh (VN);  
**Dao Trieu Trung**, Ho Chi Minh (VN);  
**Dao Trieu Ky**, Ho Chi Minh (VN)

(57) **CLAIM**  
We claim the ornamental design of a stand for a hammock, as shown and described herein.

(\*\*) Term: **14 Years**

**DESCRIPTION**

(21) Appl. No.: **29/414,775**

Portions of the disclosure of this patent document contain material that is subject to copyright protection. The copyright owner has no objection to the facsimile reproduction by anyone of the patent document or the patent disclosure as it appears in the Patent and Trademark Office file or records, but otherwise reserves all copyright rights whatsoever.

(22) Filed: **Mar. 2, 2012**

**Related U.S. Application Data**

(63) Continuation-in-part of application No. 29/389,100, filed on Apr. 6, 2011, now abandoned.

FIG. 1 is a perspective view of a stand for a hammock in an unfolded condition in accordance with the new design.

(51) **LOC (9) Cl.** ..... **06-03**

FIG. 2 is a perspective view of the new design in a folded condition.

(52) **U.S. Cl.**

USPC ..... **D6/503**; D6/387

FIG. 3 is a front view of the new design in an unfolded condition (The back view is similar to the front view).

(58) **Field of Classification Search**

USPC ..... D6/382–384, 386, 387; 5/120, 123,  
5/127–130

FIG. 4 is a plan view of the new design in an unfolded condition.

See application file for complete search history.

FIG. 5 is a side view of the new design in an unfolded condition (left side and right side views are the same).

(56) **References Cited**

**U.S. PATENT DOCUMENTS**

D97,300 S \* 10/1935 Moeller ..... D6/387  
3,593,352 A \* 7/1971 Britt ..... 5/127  
D295,242 S \* 4/1988 Frick et al. .... D6/387

FIG. 6 is a bottom view of the new design in an unfolded condition.

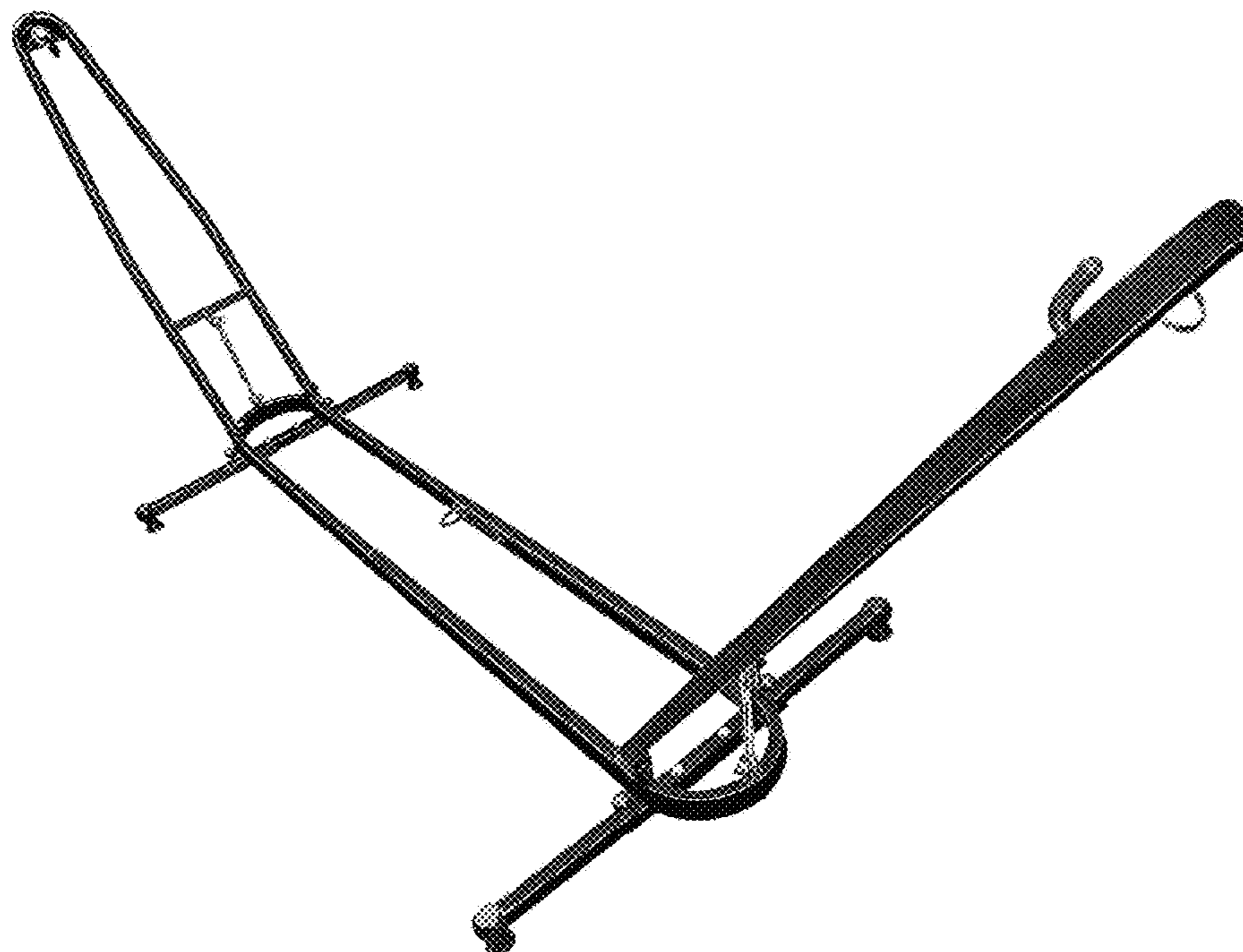
\* cited by examiner

FIG. 7 is a top perspective view of the new design in a partially folded condition; and,

FIG. 8 is a bottom view of the new design in a folded condition.

*Primary Examiner* — Janice Seeger

**1 Claim, 8 Drawing Sheets**



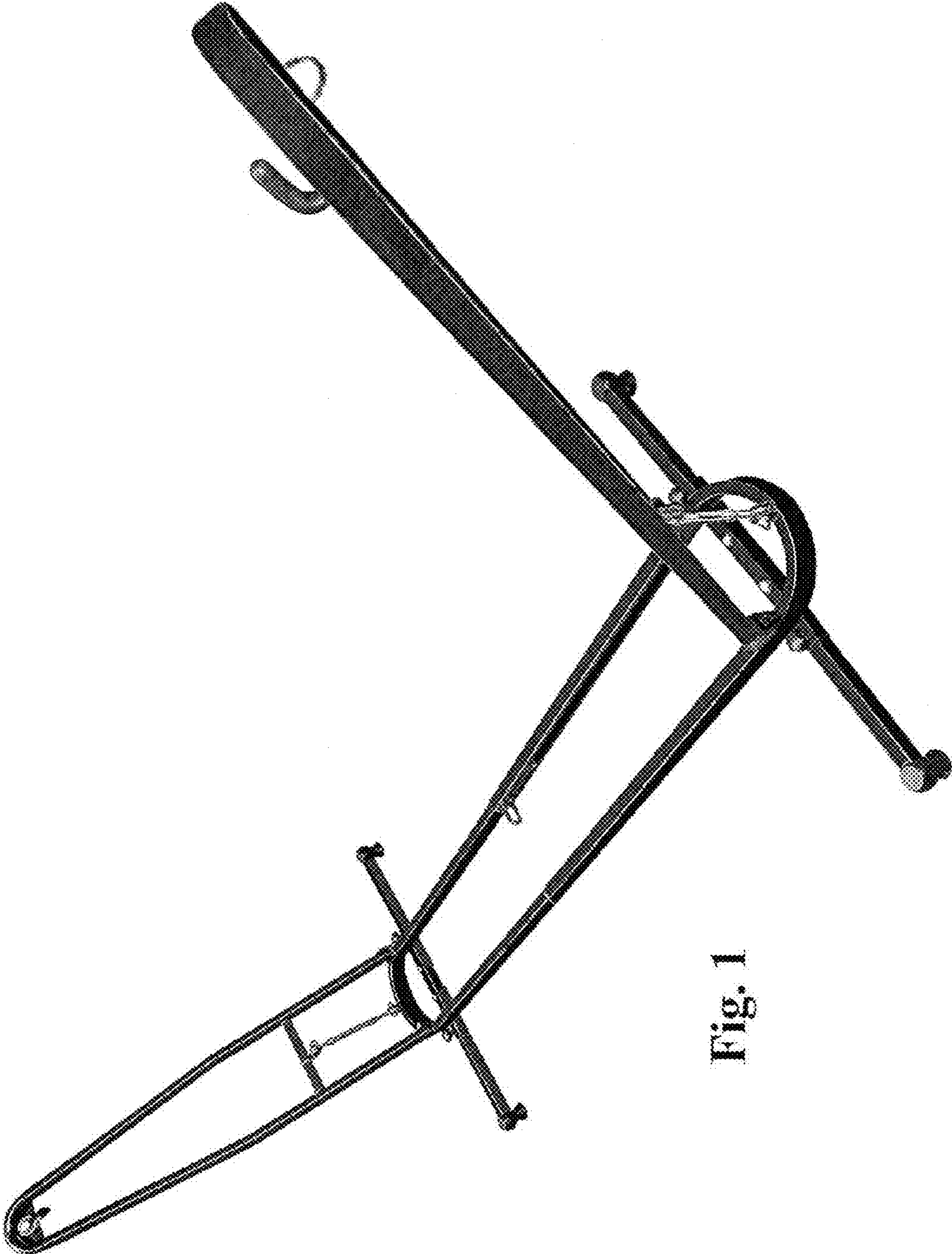


Fig. 1



Fig. 2

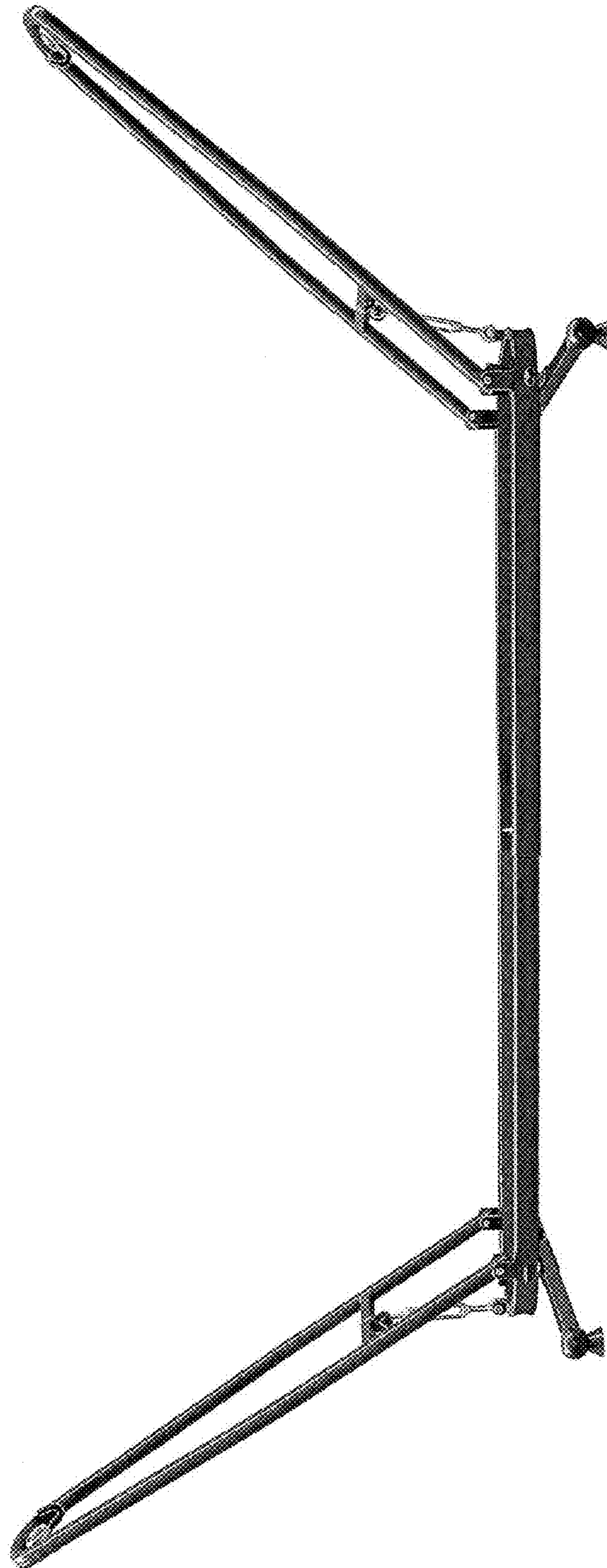


Fig. 3

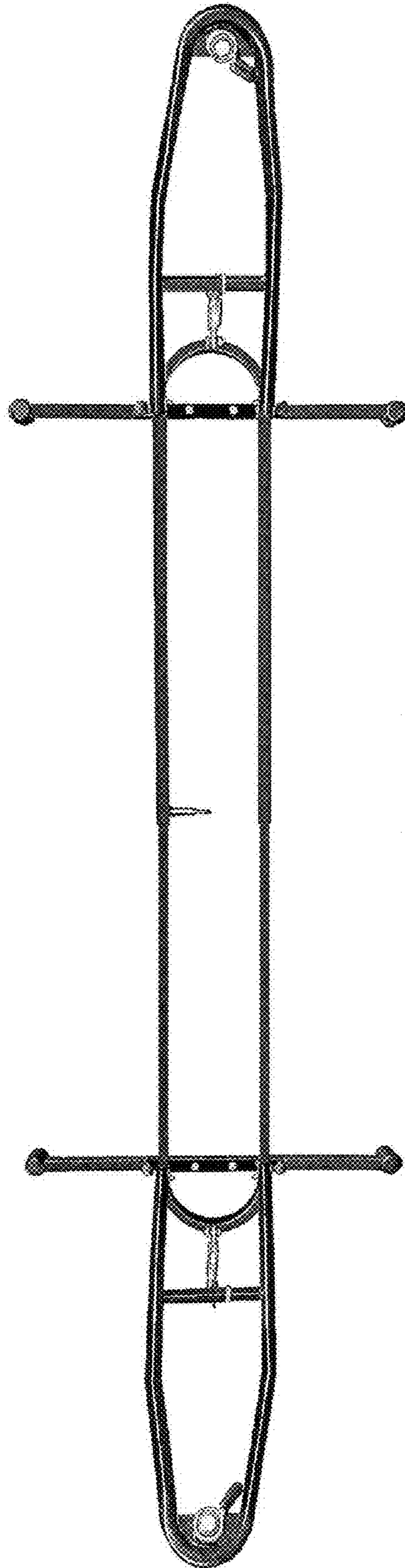


Fig. 4

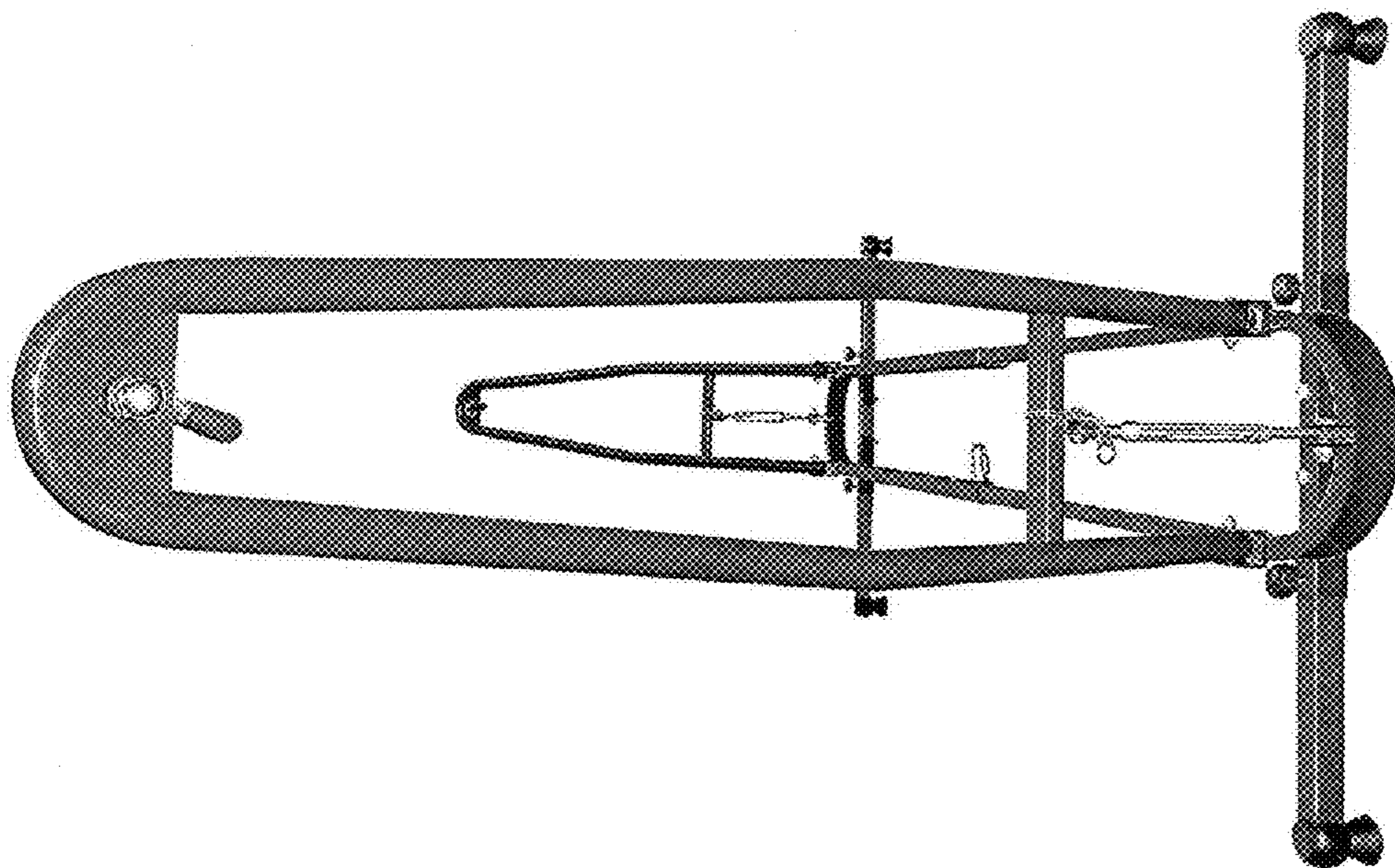


Fig. 5

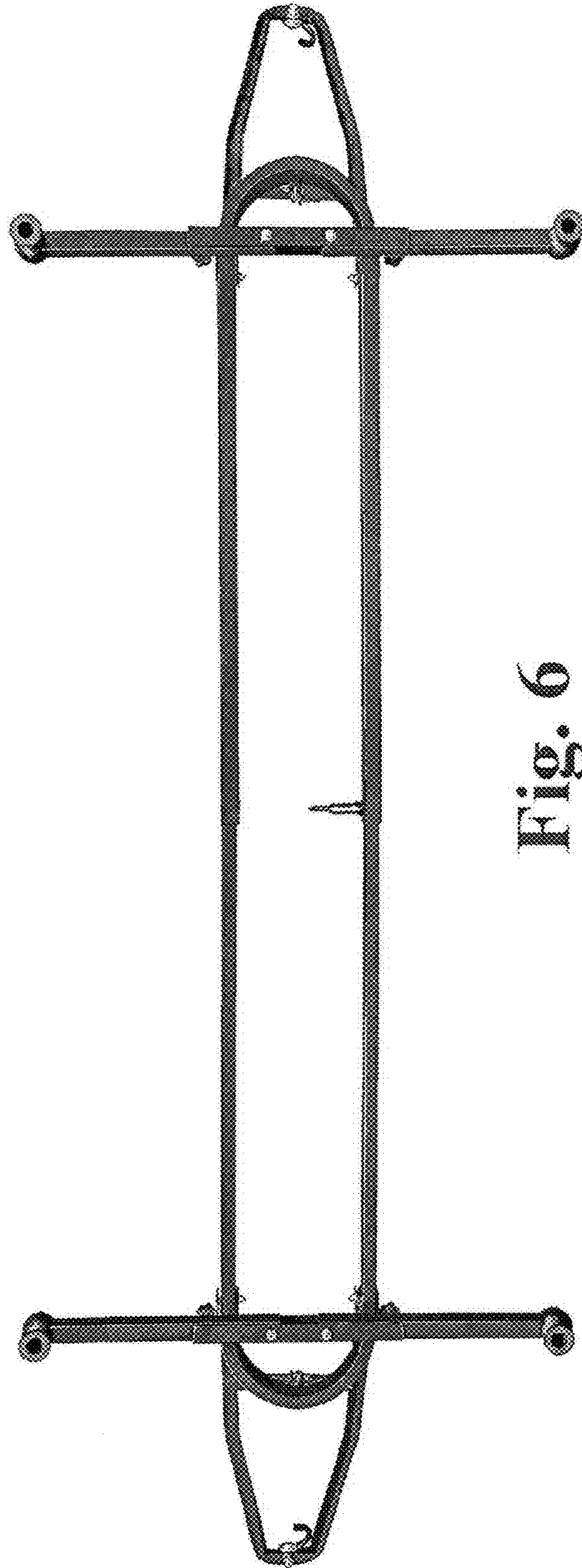


Fig. 6

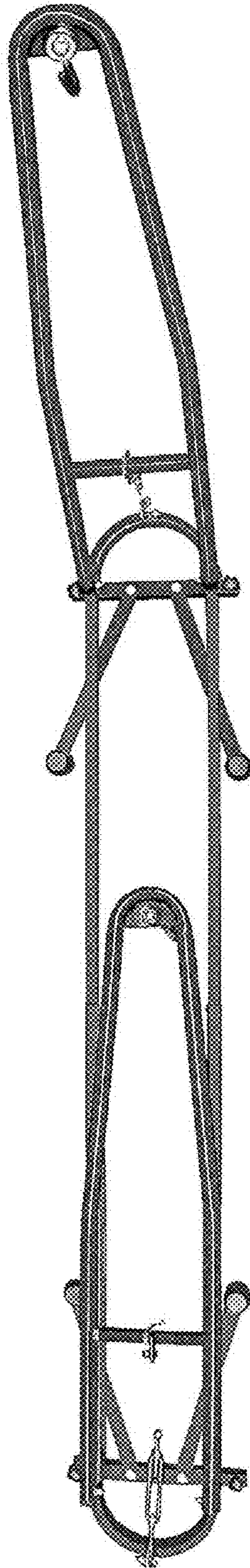


Fig. 7



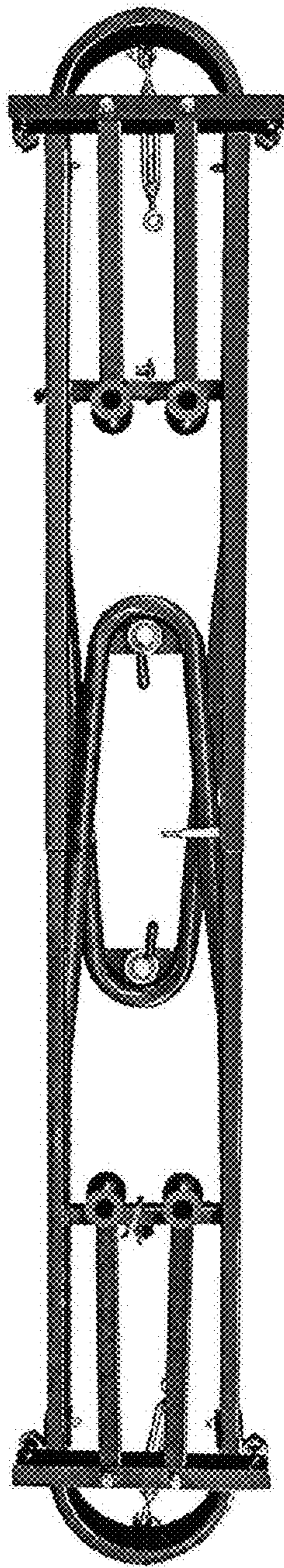


Fig. 8