



US00D688061S

(12) **United States Design Patent**
Giugiaro

(10) **Patent No.:** **US D688,061 S**

(45) **Date of Patent:** **** Aug. 20, 2013**

(54) **CHAIR**

(75) Inventor: **Fabrizio Giugiaro**, Turin (IT)

(73) Assignee: **Okamura Corporation**, Kanagawa (JP)

(**) Term: **14 Years**

(21) Appl. No.: **29/418,885**

(22) Filed: **Apr. 23, 2012**

(30) **Foreign Application Priority Data**

Oct. 31, 2011 (JP) 2011-025187

(51) **LOC (9) Cl.** **06-01**

(52) **U.S. Cl.**
USPC **D6/502; D6/366**

(58) **Field of Classification Search**

USPC D6/334-336, 344-353, 360-381,
D6/388, 403, 491-502, 692, 708, 716, 716.2-716.4;
297/16.1, 22, 31, 35, 217.1, 228.12, 239,
297/256.16, 271.6, 284.4-284.5, 291, 297,
297/302.4, 411.2, 411.27-411.29, 411.43,
297/423.1, 423.12, 440.11, 440.15, 440.24,
297/448.1, 451.4, 452.13, 452.19, 452.21,
297/452.27, 452.29, 452.3, 452.41, 452.56,
297/452.64

See application file for complete search history.

(56) **References Cited**

U.S. PATENT DOCUMENTS

D390,712 S *	2/1998	Koepke et al.	D6/366
D449,174 S *	10/2001	Neil	D6/366
D477,469 S *	7/2003	Brooks	D6/366
D517,820 S *	3/2006	Citterio	D6/366
D555,924 S *	11/2007	Igarashi	D6/366
D569,116 S *	5/2008	Tsai	D6/366
D572,948 S *	7/2008	Wakasugi et al.	D6/500
D577,934 S *	10/2008	Raftery et al.	D6/502

D582,170 S *	12/2008	Chi	D6/366
D597,349 S *	8/2009	Wilkinson et al.	D6/502
D600,462 S *	9/2009	Ooki et al.	D6/366
D601,372 S *	10/2009	Kim	D6/502
D604,071 S *	11/2009	Su	D6/502
D607,653 S *	1/2010	Wilkinson et al.	D6/366
D613,085 S *	4/2010	Fujita	D6/366
D613,086 S *	4/2010	Fujita	D6/366
D636,614 S *	4/2011	Sander et al.	D6/366
D652,223 S *	1/2012	Fujita	D6/366
D652,646 S *	1/2012	Fujita	D6/366
D654,709 S *	2/2012	Fujita	D6/366

(Continued)

Primary Examiner — Ricky Pham

(74) *Attorney, Agent, or Firm* — Sughrue Mion, PLLC

(57) **CLAIM**

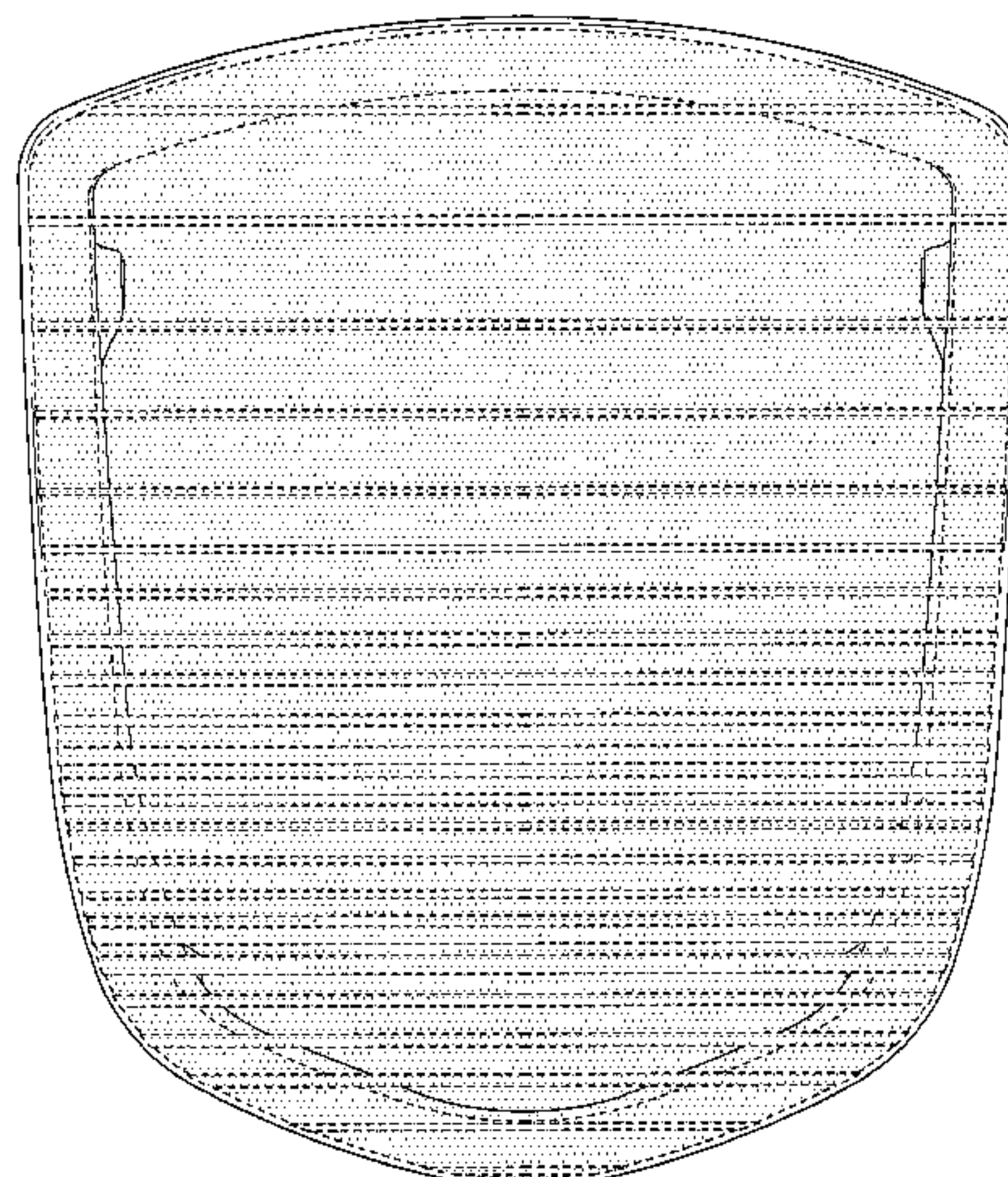
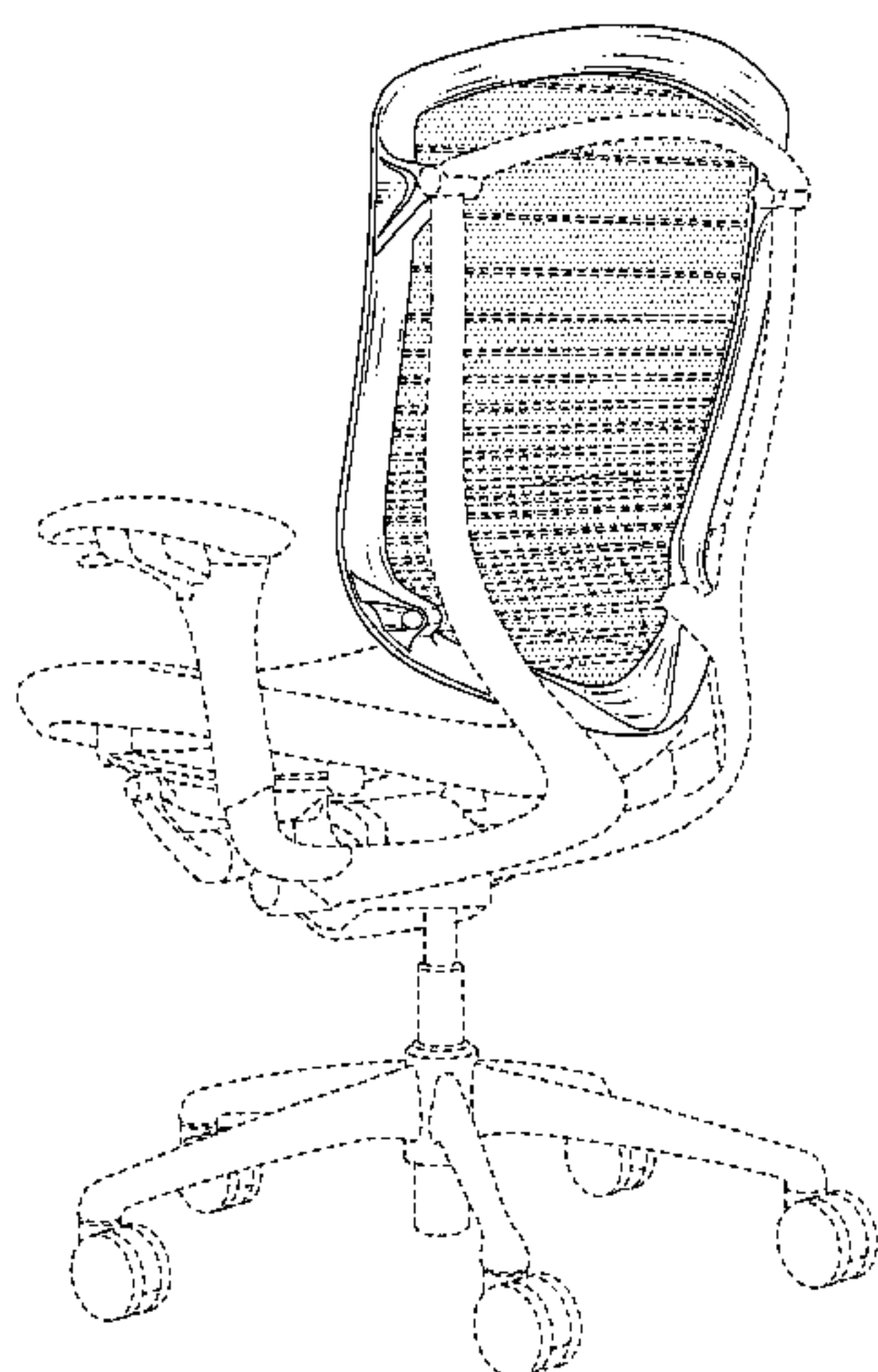
The ornamental design for a chair, as shown and described.

DESCRIPTION

FIG. 1 is a perspective view from the rear side of a chair; FIG. 2 is a front elevation view thereof; FIG. 3 is a right side elevation view thereof; FIG. 4 is a left side elevation view thereof; FIG. 5 is a top plan view thereof; FIG. 6 is a rear elevation view thereof; FIG. 7 is a bottom plan view thereof; FIG. 8 is an enlarged front elevation view of the backrest thereof; FIG. 9 is a right side elevation view of the backrest thereof; FIG. 10 is a rear elevation of the backrest thereof; FIG. 11 is a top plan view of the backrest thereof; and, FIG. 12 is a bottom plan view of the backrest thereof.

The portions of the chair shown in broken lines are for the purpose of showing environmental structure only and form no part of the claimed design. The backrest sheet has a mesh pattern and this backrest sheet forms no part of the claimed design.

1 Claim, 12 Drawing Sheets



US D688,061 S

Page 2

(56)

References Cited

U.S. PATENT DOCUMENTS

D654,710 S * 2/2012 Fujita D6/366
D654,711 S * 2/2012 Fujita D6/366

D655,522 S * 3/2012 Czumaj-Bront et al. D6/366
D662,330 S * 6/2012 Tanaka et al. D6/366
D663,129 S * 7/2012 Greutmann D6/366
D665,589 S * 8/2012 Wagner D6/366

* cited by examiner

FIG. 1

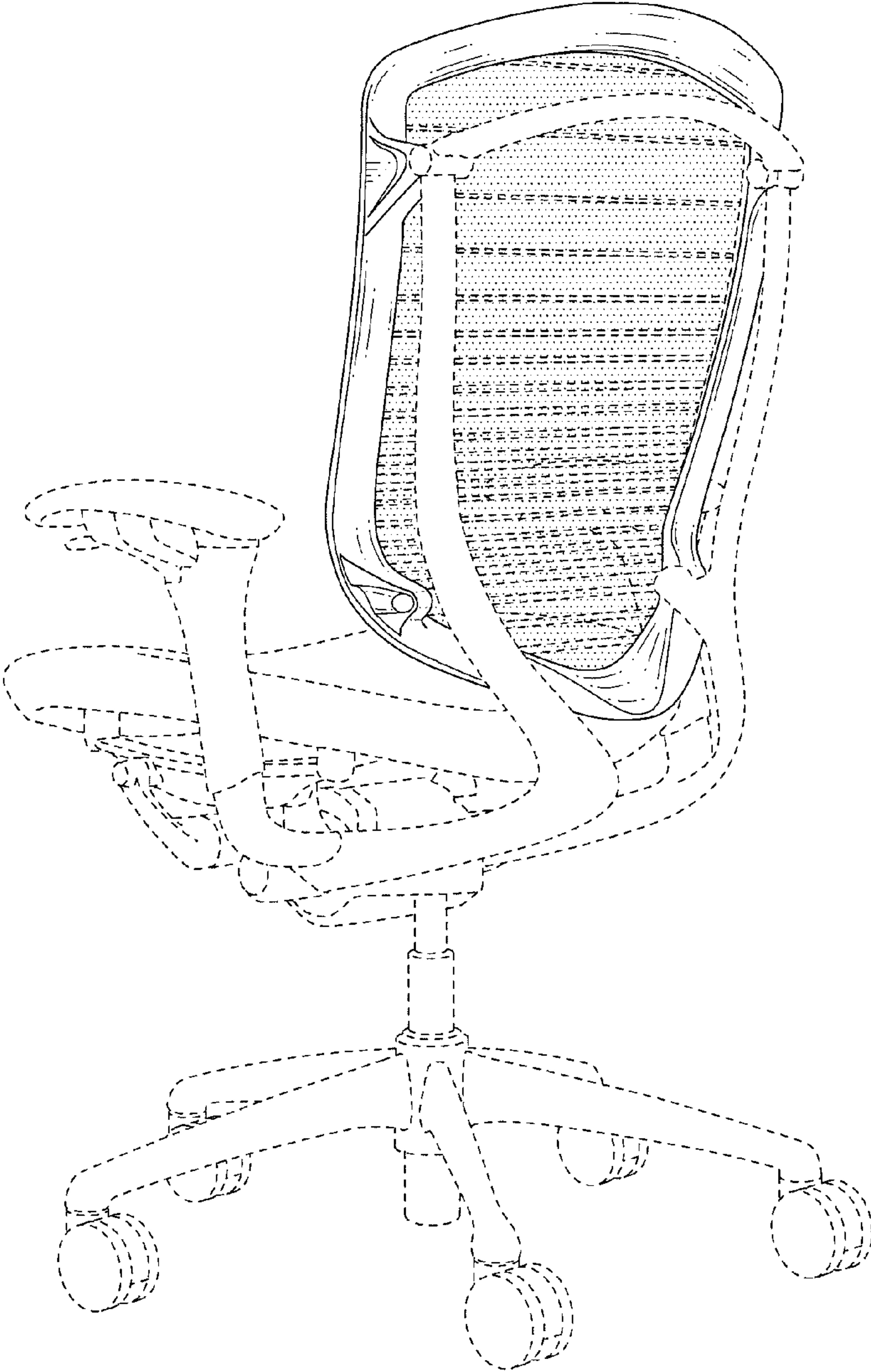


FIG. 2

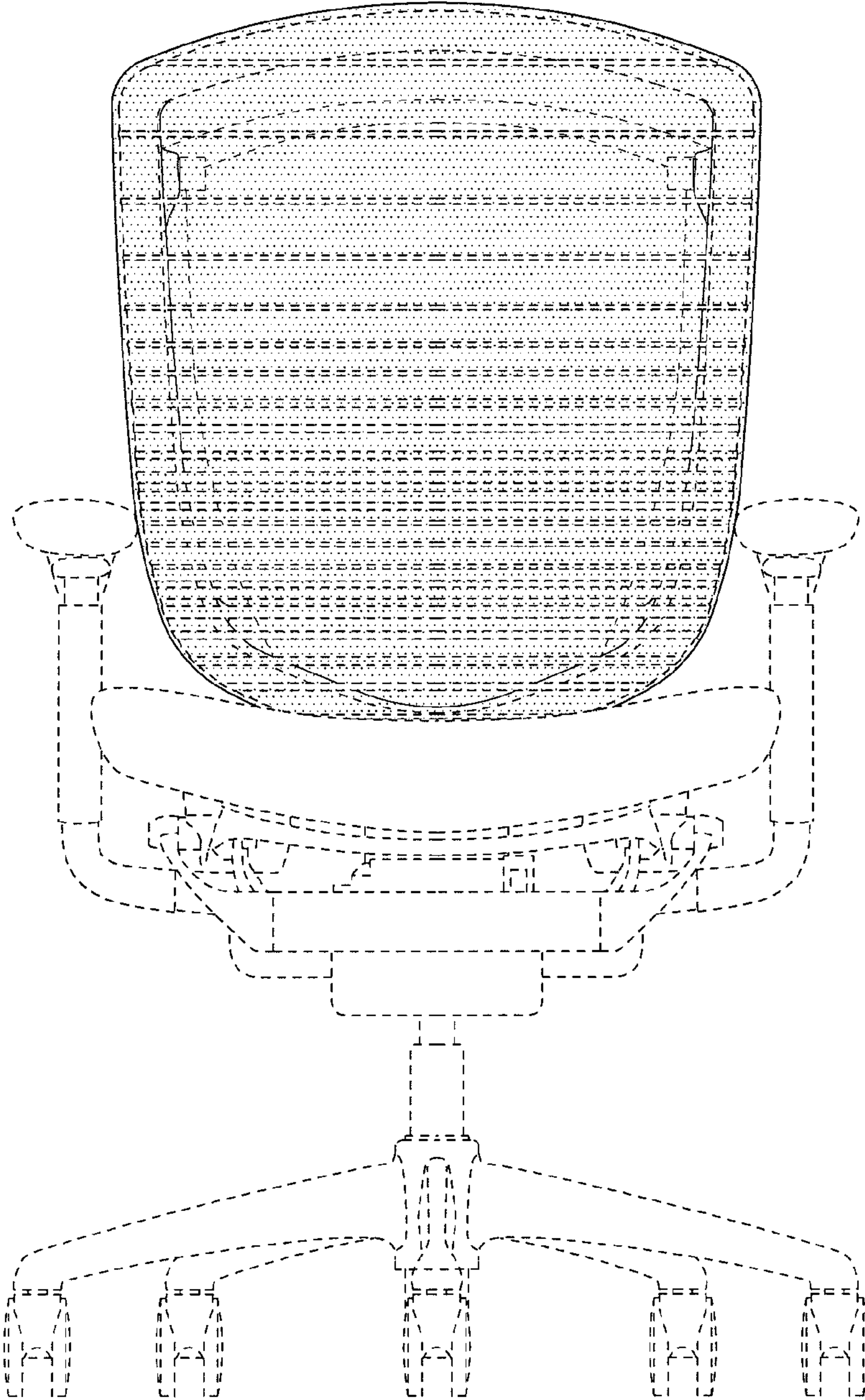


FIG. 3

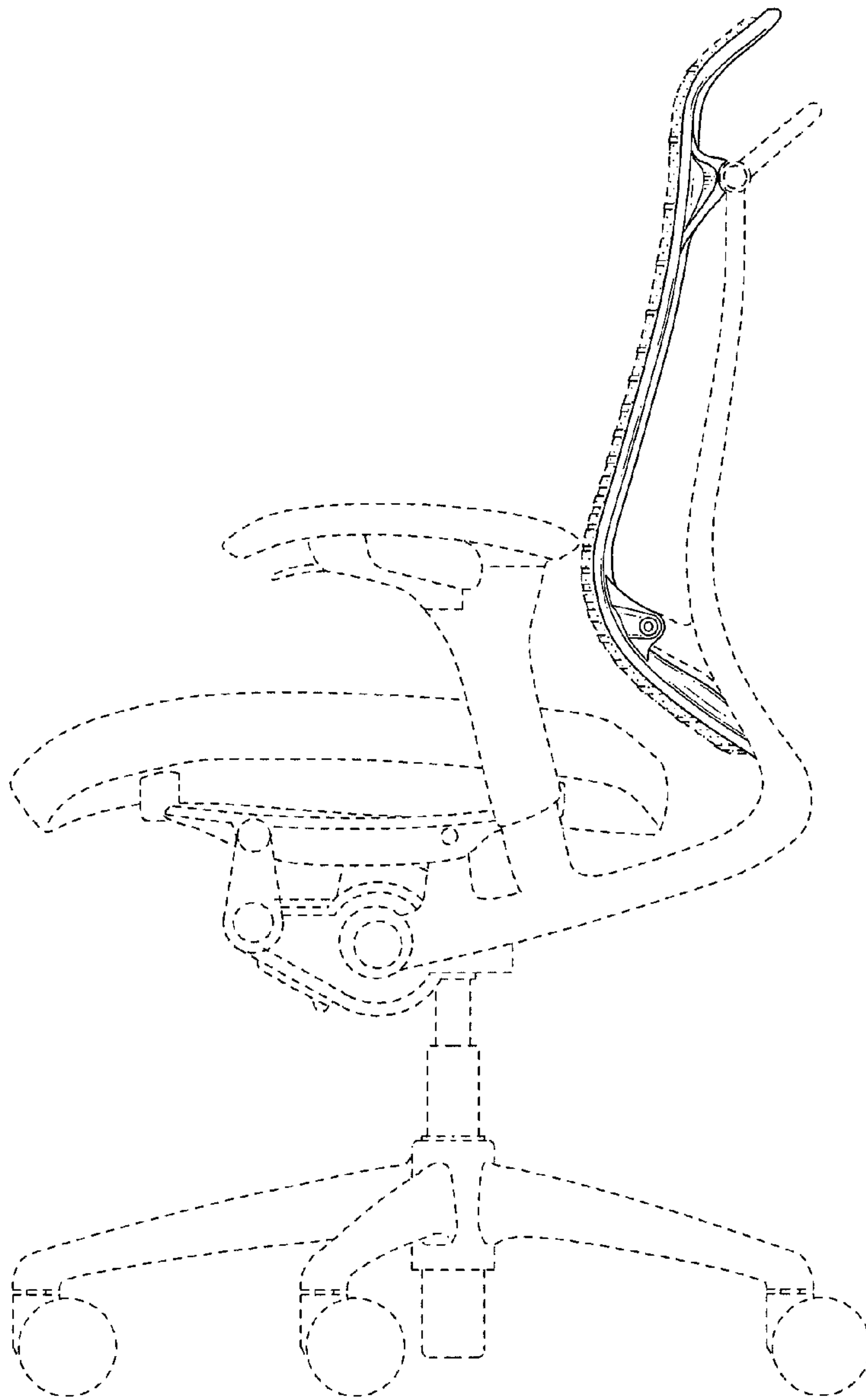


FIG. 4

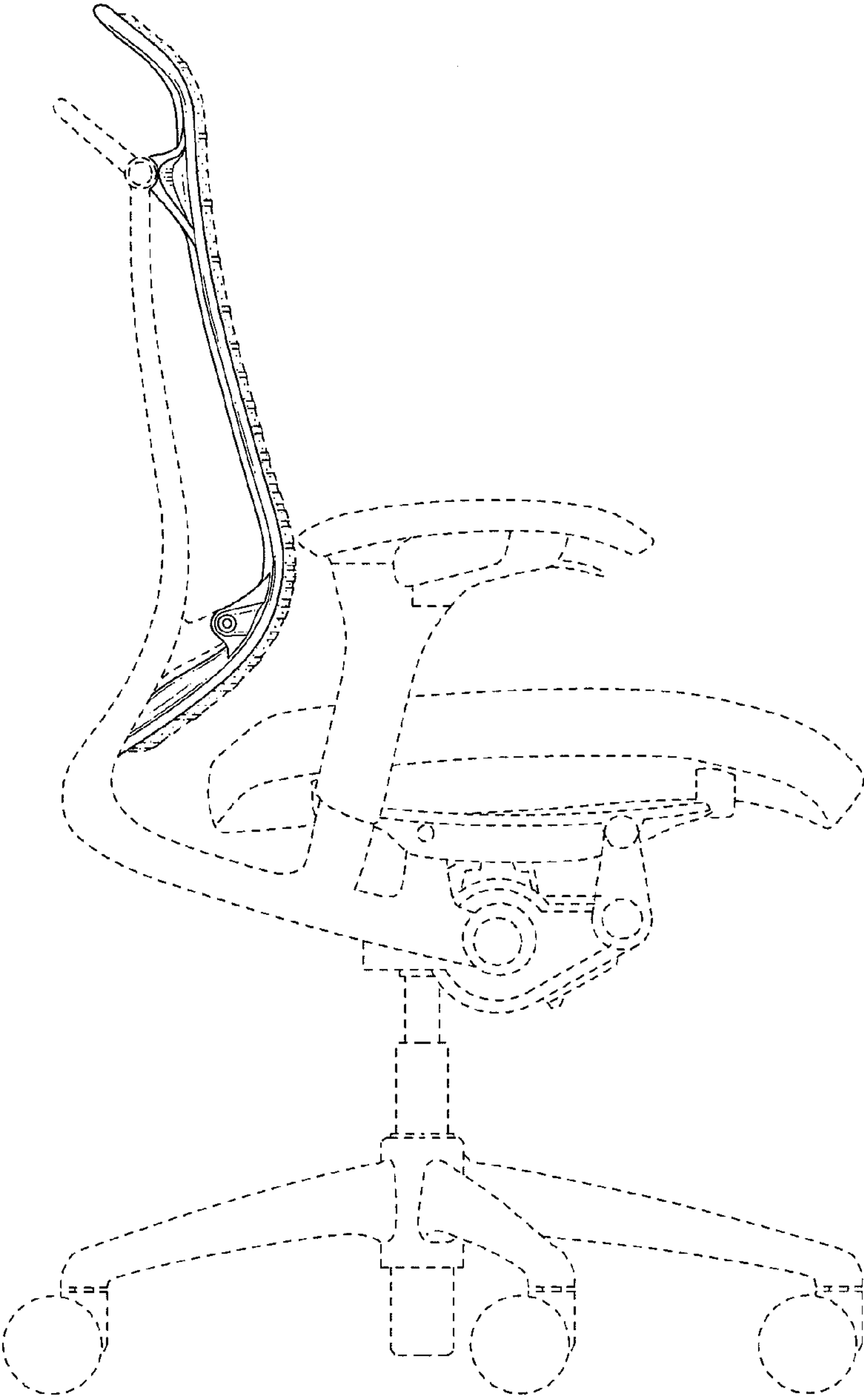


FIG. 5

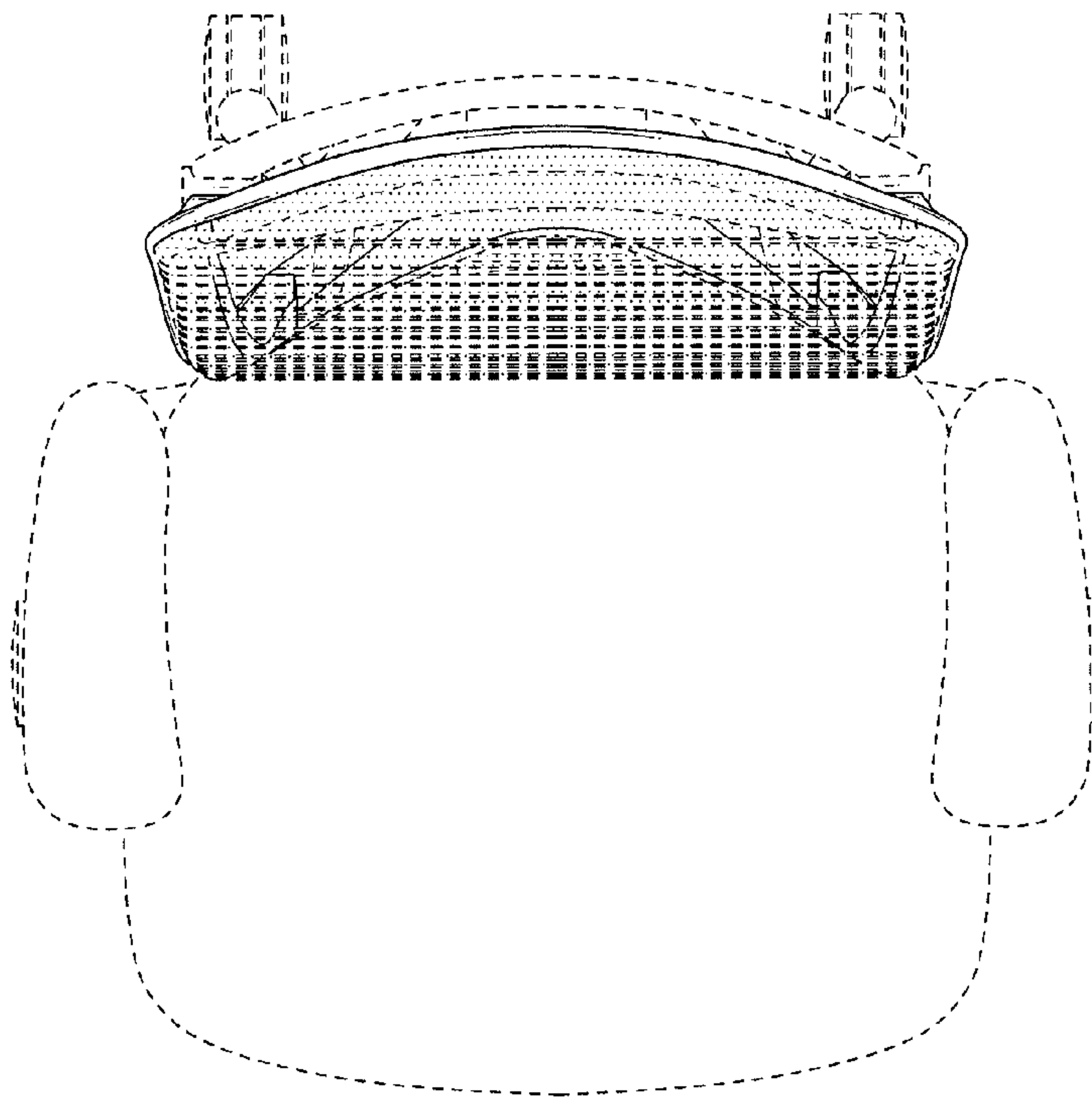


FIG. 6

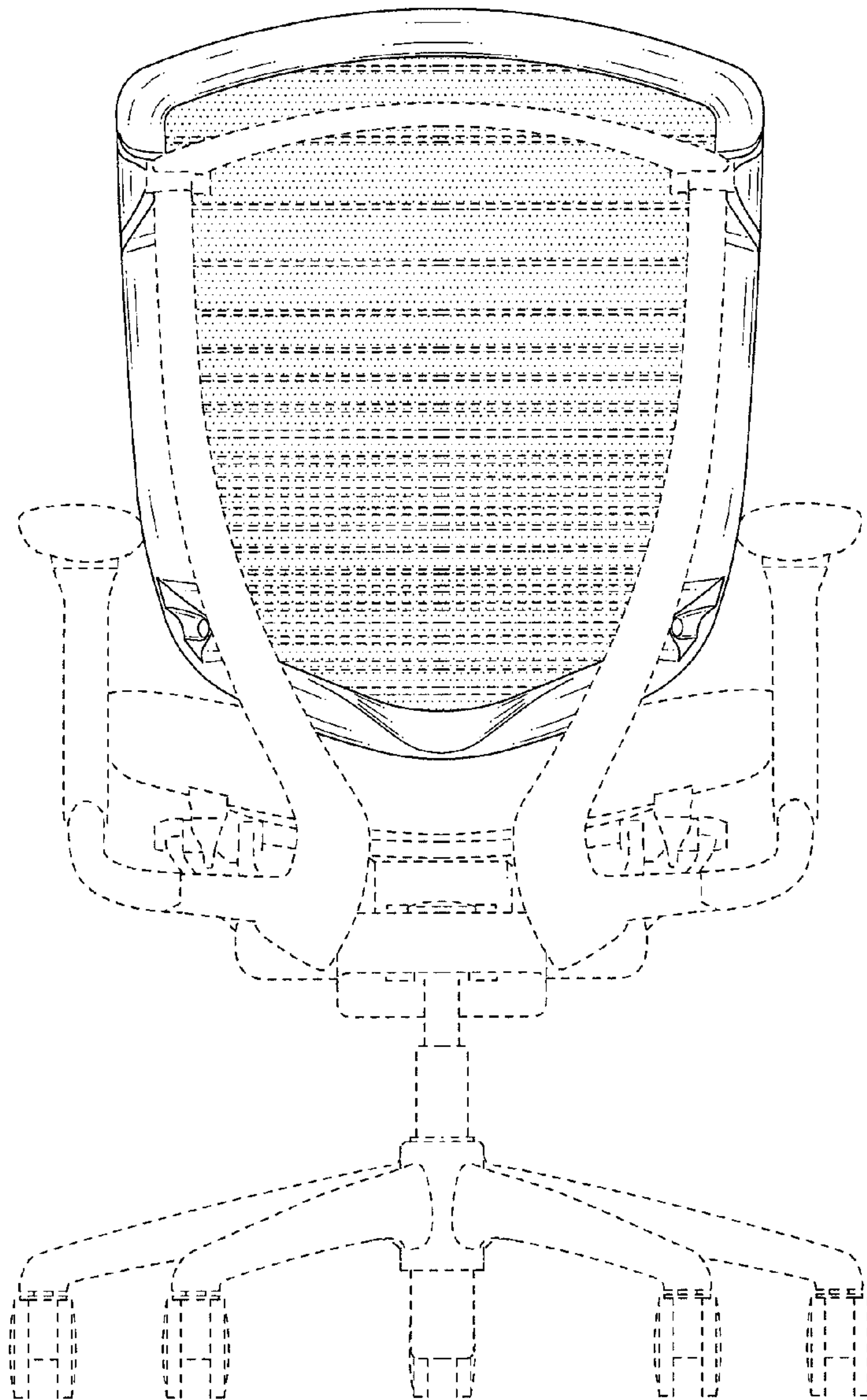


FIG. 7

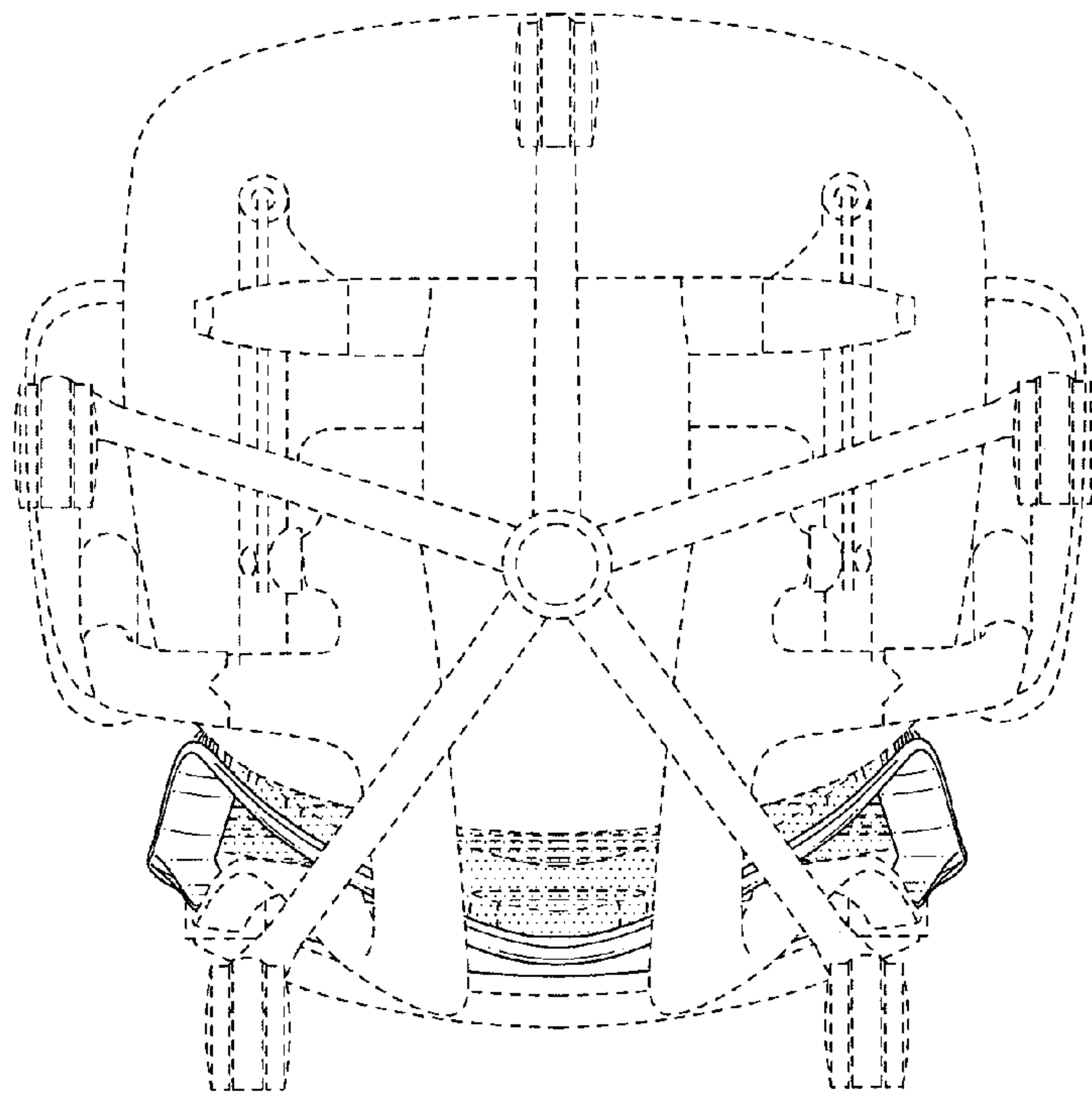


FIG. 8

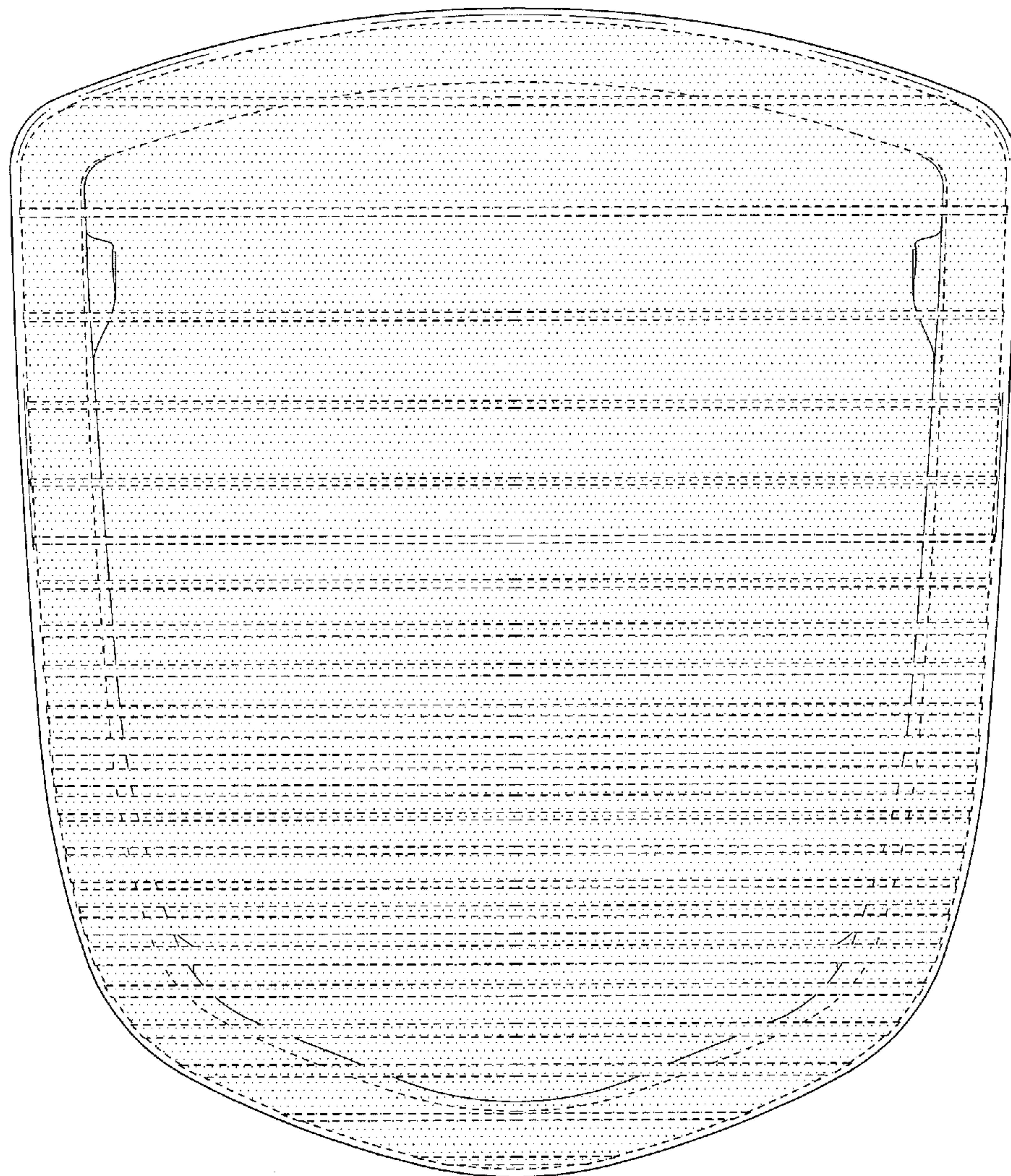


FIG. 9

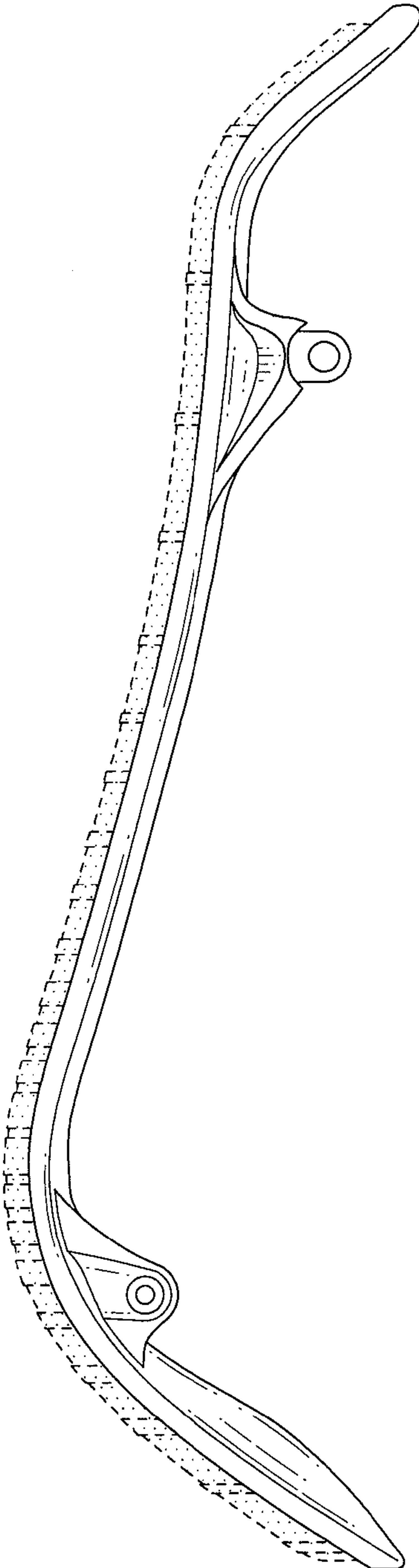


FIG. 10

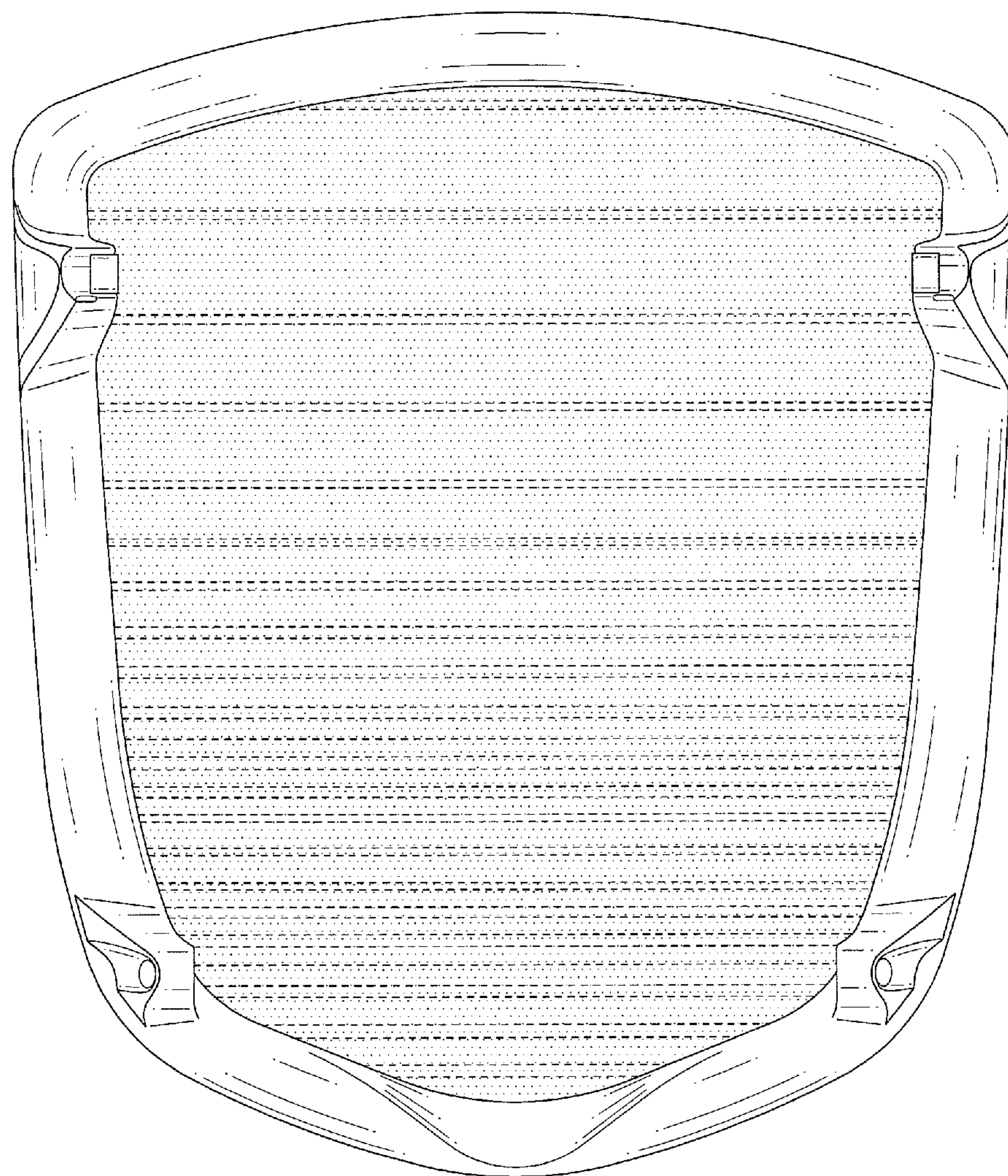


FIG. 11

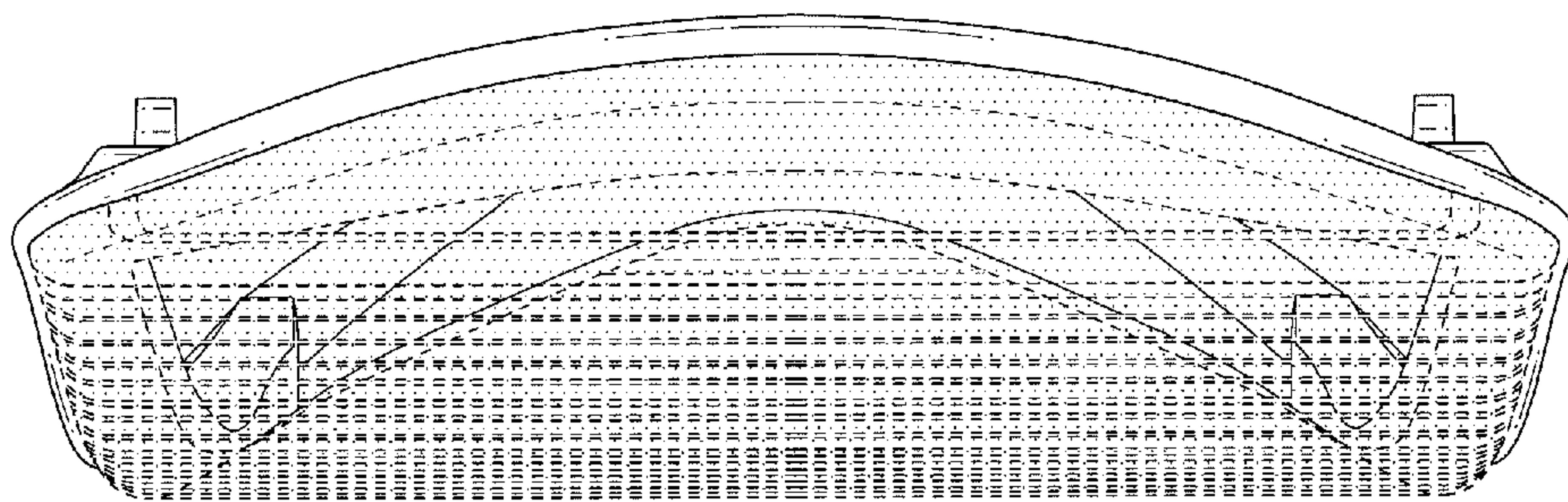


FIG. 12

