



(12) **United States Design Patent**
Sizelove

(10) **Patent No.:** **US D688,060 S**
(45) **Date of Patent:** **** Aug. 20, 2013**

- (54) **INTEGRATED USER INTERFACE SYSTEM FOR USER SEAT**
- (75) Inventor: **Steven Lee Sizelove**, Woodinville, WA (US)
- (73) Assignee: **Panasonic Avionics Corporation**, Lake Forest, CA (US)
- (**) Term: **14 Years**
- (21) Appl. No.: **29/401,253**
- (22) Filed: **Sep. 9, 2011**
- (51) **LOC (9) Cl.** **06-01**
- (52) **U.S. Cl.**
USPC **D6/501**
- (58) **Field of Classification Search**
USPC D6/334-336, 342, 356, 368, 379-380, D6/491, 501-502; D12/192, 415-424; D13/162; D14/132, 336; D15/28; D21/324; D24/177; D34/35; 296/24.34, 153; 297/248, 297/411.23, 411.25, 411.26, 441.2; 307/10.1; 340/539.32
See application file for complete search history.

(56) **References Cited**

U.S. PATENT DOCUMENTS

D250,071 S	10/1978	Dickerson	
D257,707 S *	12/1980	Marrujo	D6/342
D273,157 S *	3/1984	Staub	D6/356
D273,867 S *	5/1984	Sanders et al.	D14/336
D321,215 S *	10/1991	Shamis	D21/324
D340,235 S	10/1993	Robak et al.	
D343,537 S *	1/1994	Harde	D6/501
D376,244 S *	12/1996	Feider et al.	D34/35
5,648,757 A *	7/1997	Vernace et al.	340/539.32
D411,922 S *	7/1999	Granados	D6/356
D432,963 S *	10/2000	Meinhardt	D12/192
D457,862 S *	5/2002	Falk et al.	D13/162
6,608,399 B2 *	8/2003	McConnell et al.	307/10.1
6,719,343 B2 *	4/2004	Emerling et al.	296/24.34
D493,294 S *	7/2004	Newson	D6/356
D535,937 S *	1/2007	Vitito	D12/421

D539,311 S *	3/2007	Honda et al.	D15/28
D547,981 S *	8/2007	Cohen	D6/501
D552,389 S *	10/2007	Papiernik	D6/501
D557,949 S *	12/2007	Moorhouse et al.	D6/501
D577,503 S	9/2008	Priestman	
D581,381 S *	11/2008	Vitito	D14/132
D581,861 S *	12/2008	Anttila et al.	D12/421
D581,862 S *	12/2008	Anttila et al.	D12/421
D606,199 S *	12/2009	Vu et al.	D24/177
D645,681 S *	9/2011	Grell	D6/501
D651,966 S *	1/2012	Hwang et al.	D12/419
2003/0052514 A1 *	3/2003	Schmidt et al.	296/153
2004/0046430 A1 *	3/2004	Plant et al.	297/248

* cited by examiner

Primary Examiner — Ricky Pham

(74) *Attorney, Agent, or Firm* — Orrick, Herrington & Sutcliffe LLP

(57) **CLAIM**

The ornamental design for an integrated user interface system for user seat, as shown and described.

DESCRIPTION

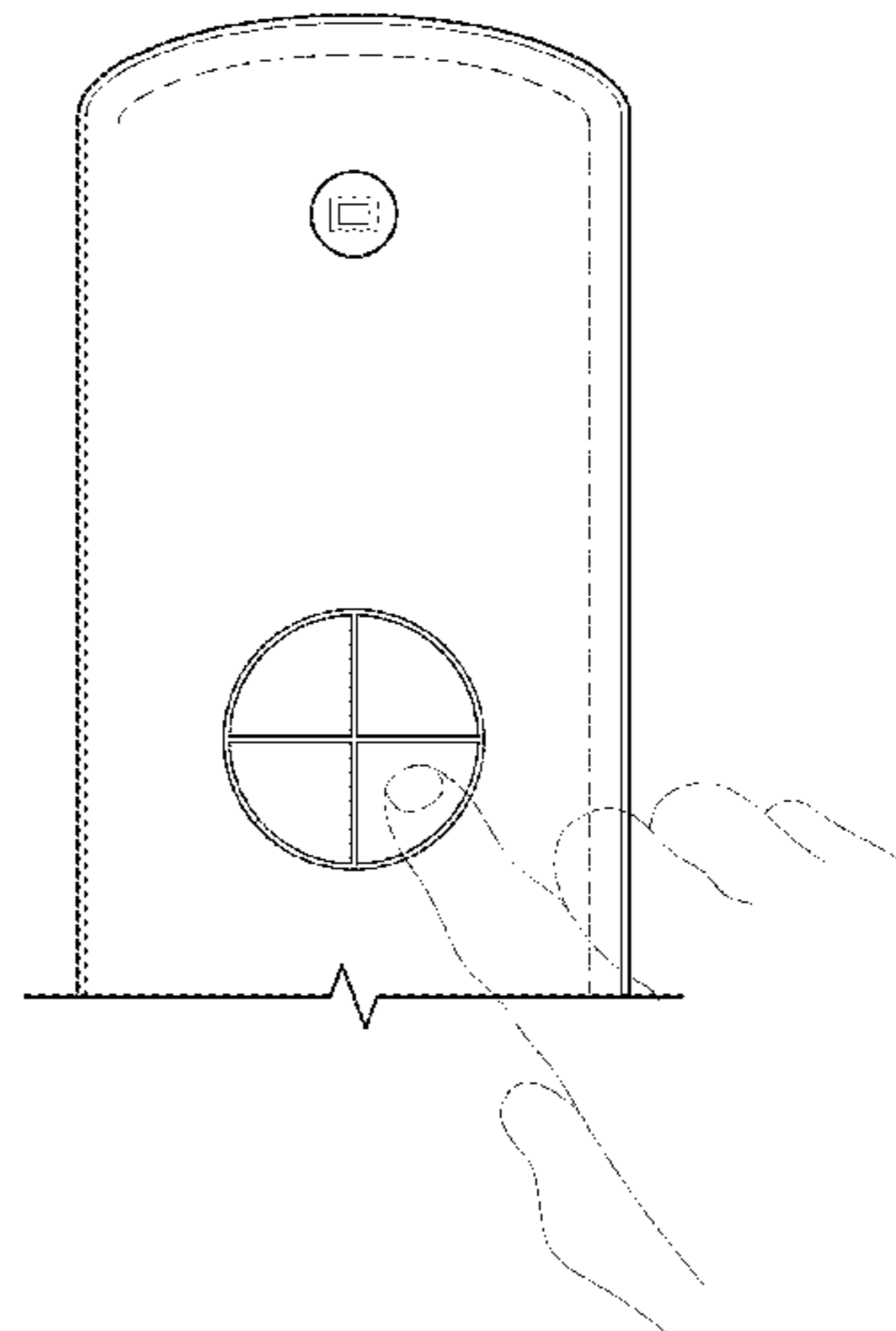
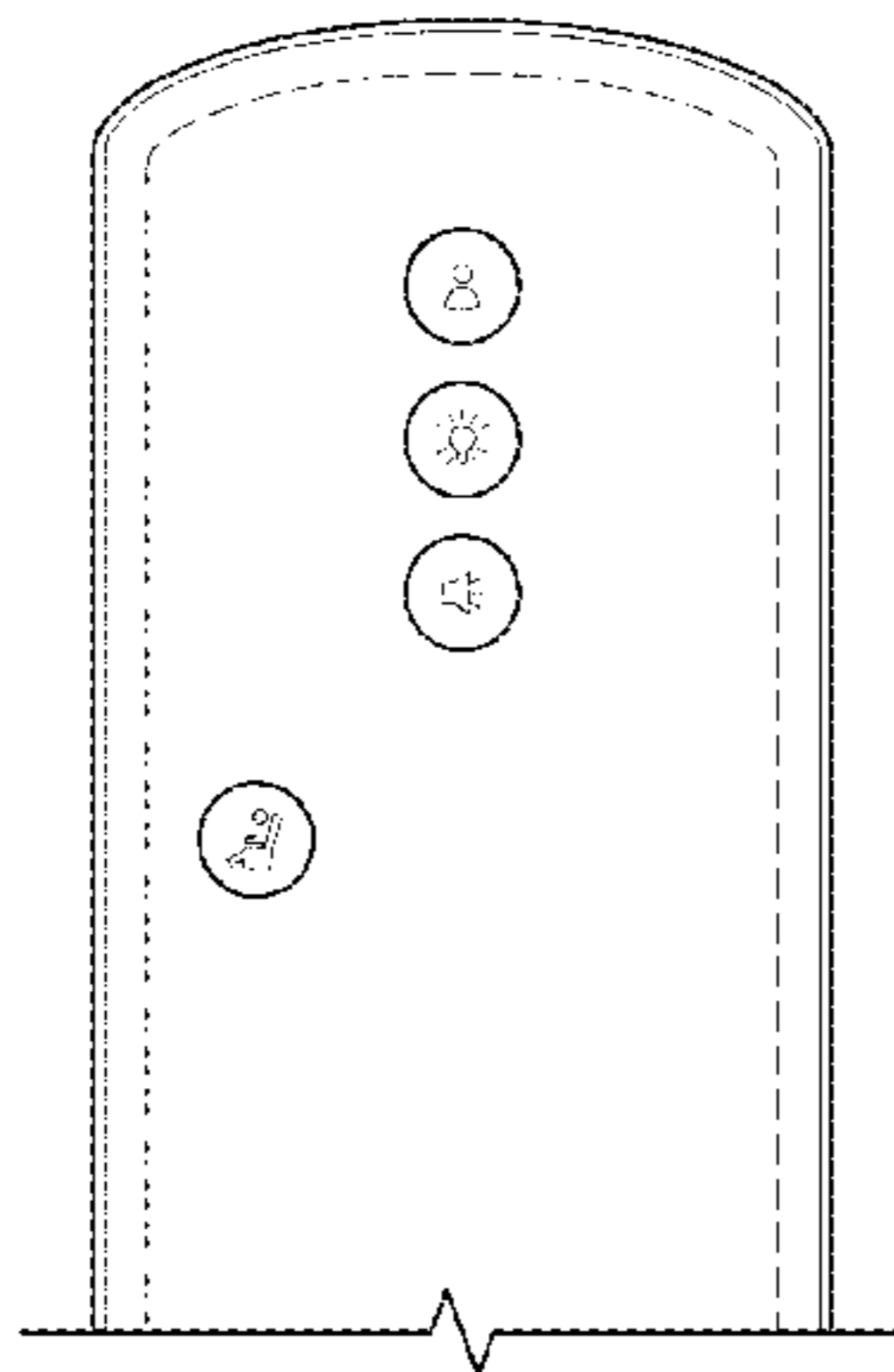
FIG. 1 is a detail view illustrating an embodiment of a new and ornamental design for an integrated user interface system for installation at an armrest portion of a selected seat, wherein selected interface elements on the armrest portion form a trackball-like interface;

FIG. 2 is a detail view illustrating the new and ornamental design for the integrated user interface system of FIG. 1, wherein the selected interface elements become apparent when a user hand approaches, and becomes proximate to, the user interface system;

FIG. 3 is a side view illustrating an embodiment of the new and ornamental design for the integrated user interface system of FIG. 2, wherein the selected interface elements form a trackball-like interface having a domed contour; and,

FIG. 4 is a side view illustrating an alternative embodiment of the new and ornamental design for the integrated user interface system of FIG. 2, wherein the selected interface elements form a trackball-like interface having a flat contour.

1 Claim, 3 Drawing Sheets



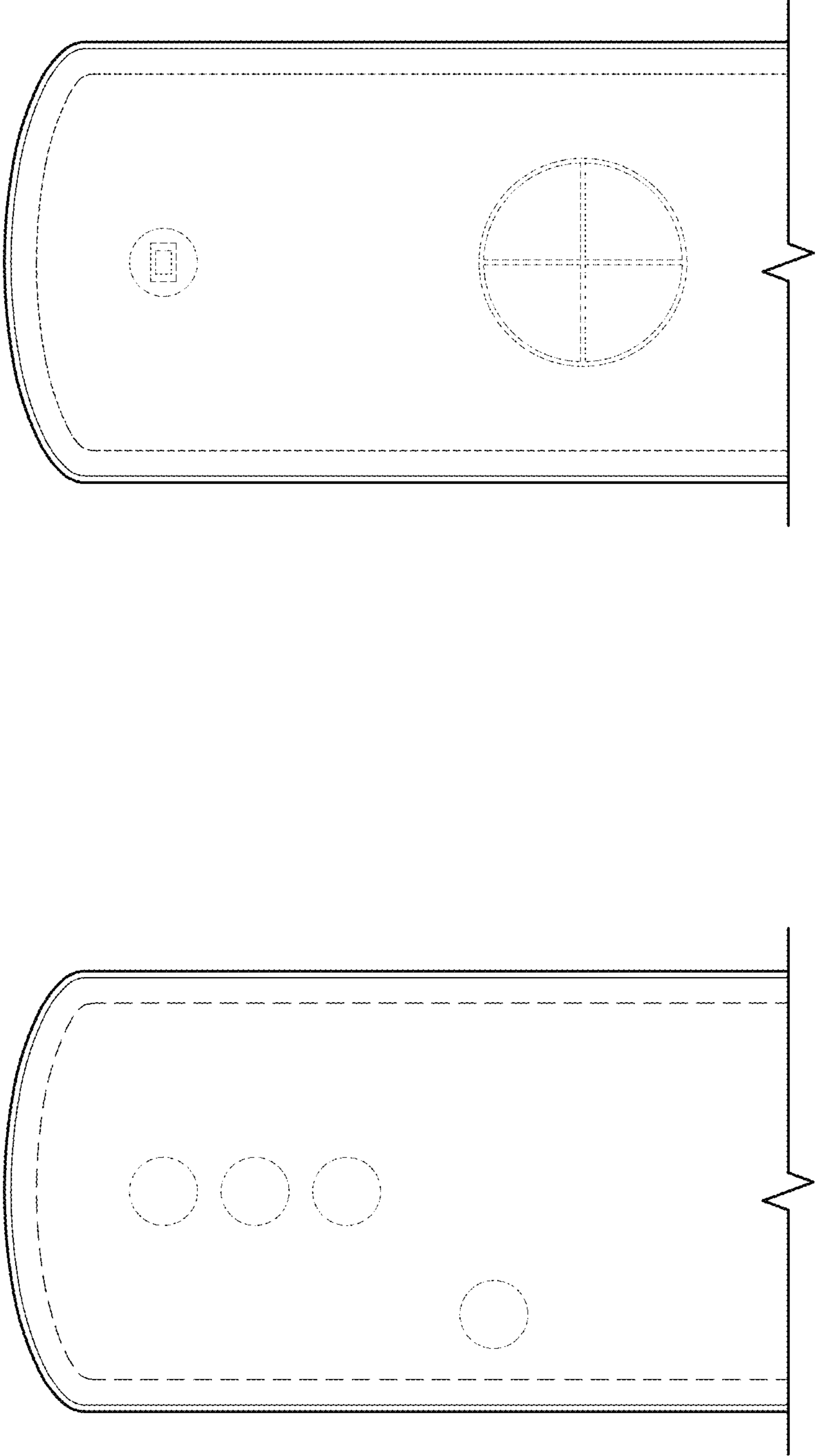


FIG. 1

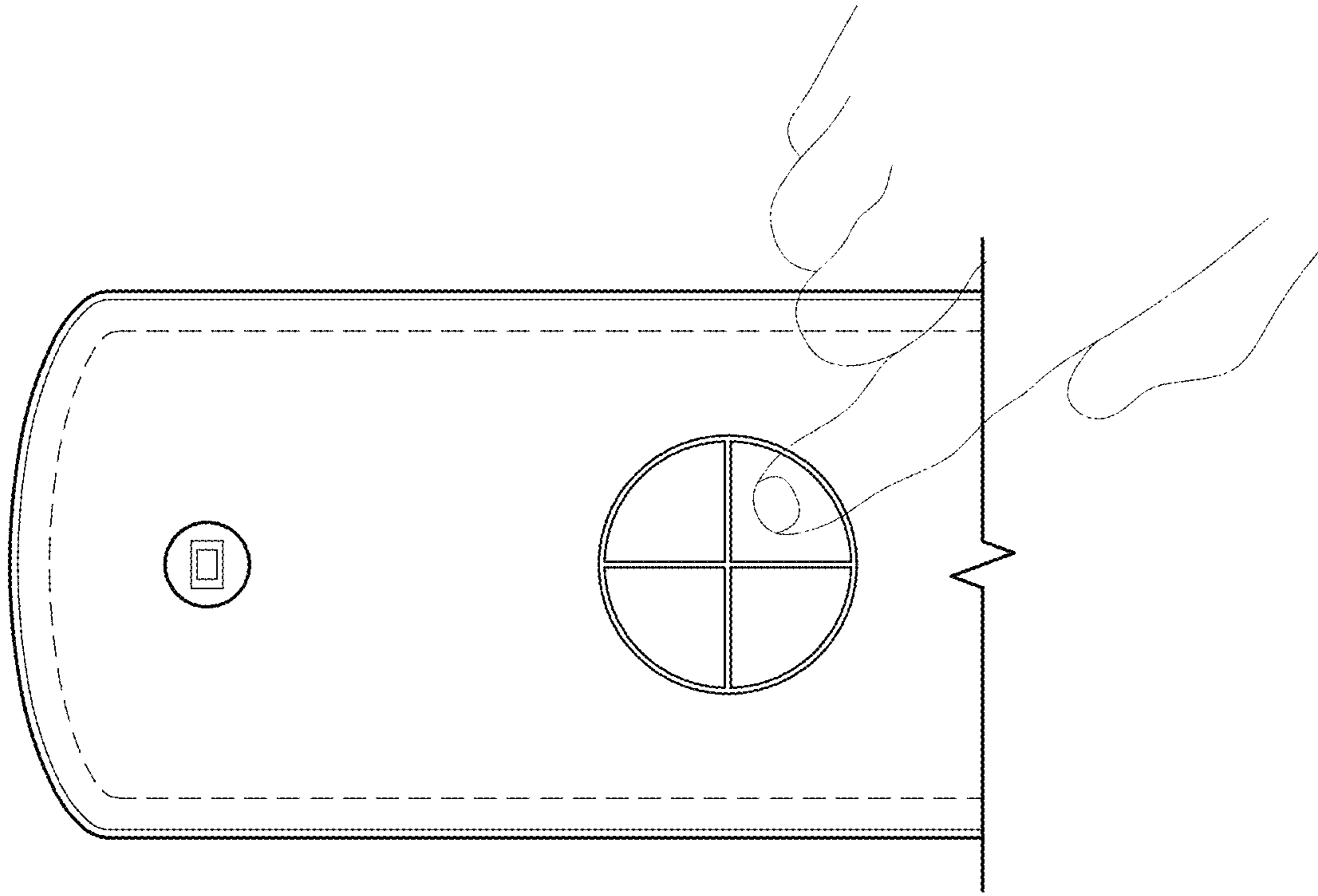
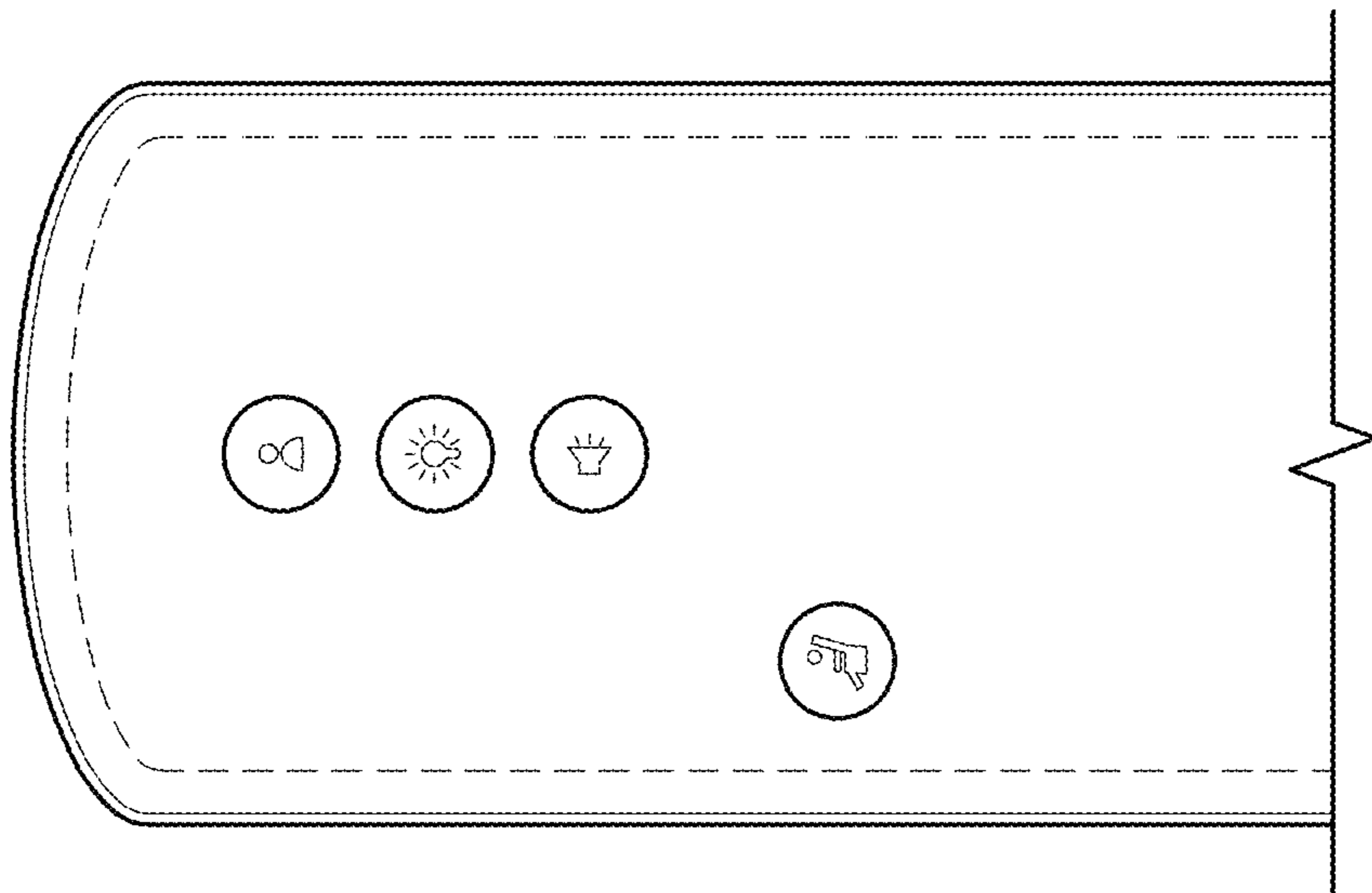


FIG. 2



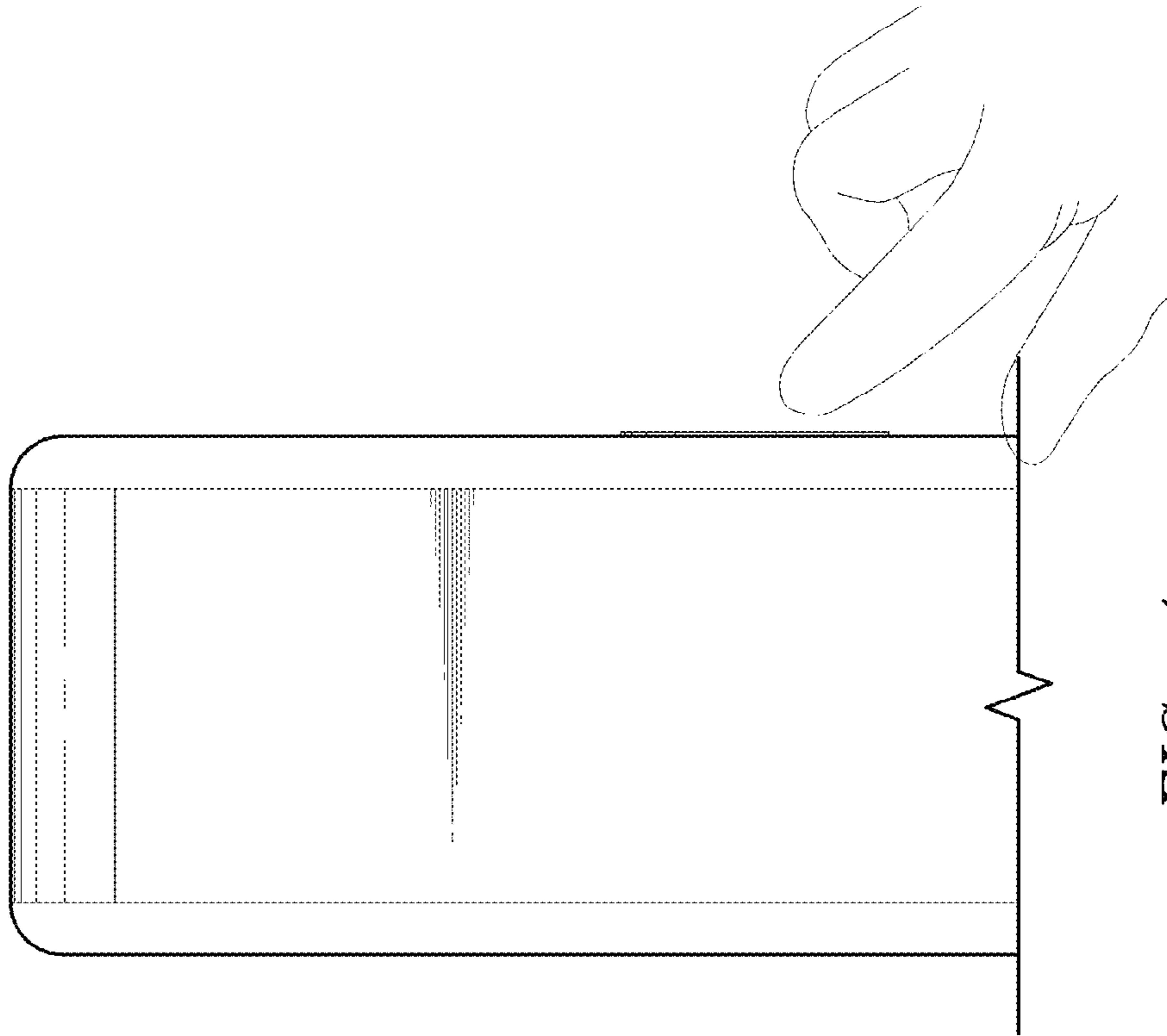


FIG. 4

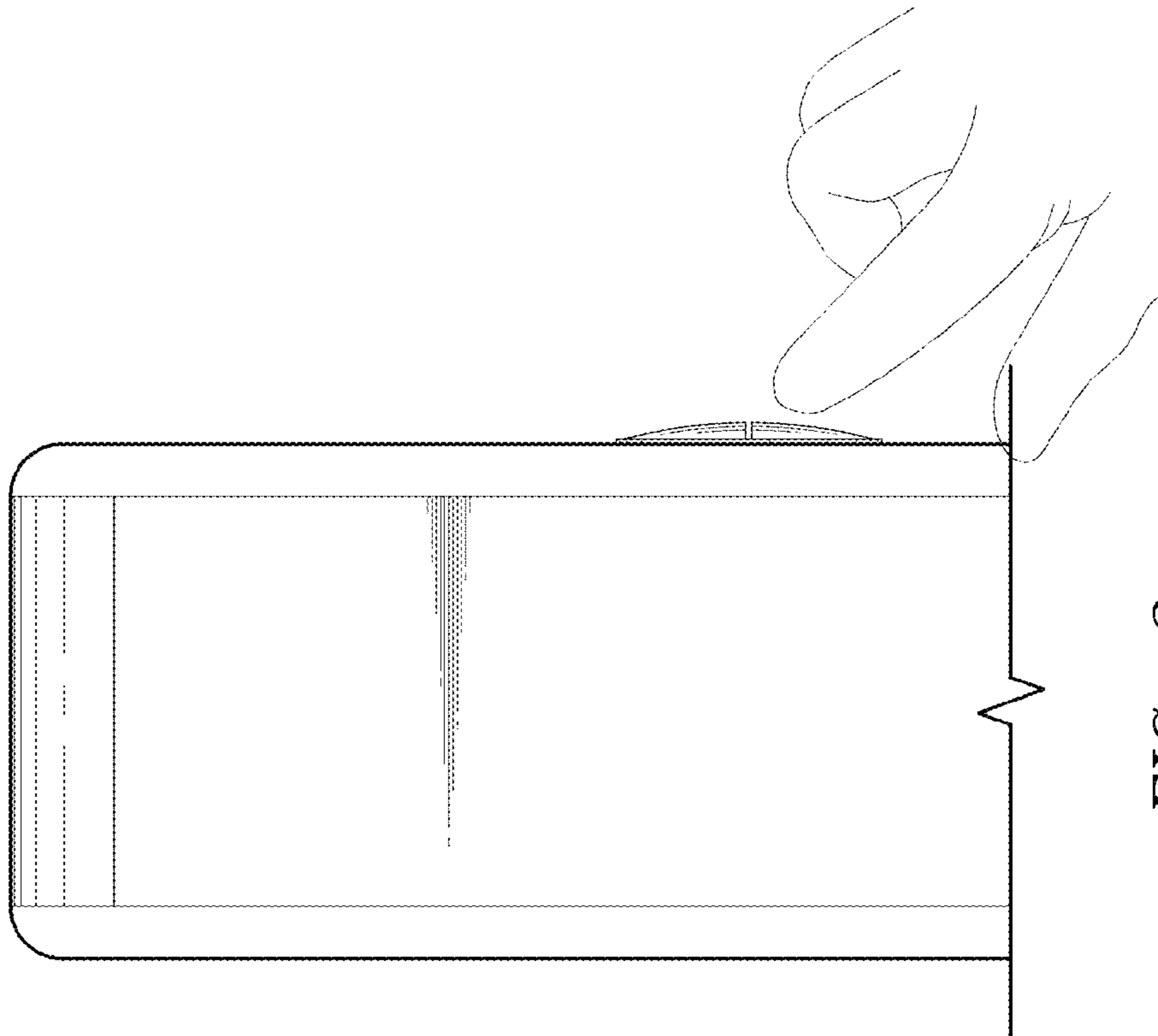


FIG. 3