



US00D688059S

(12) **United States Design Patent**
Cornacchia

(10) **Patent No.:** **US D688,059 S**

(45) **Date of Patent:** **** *Aug. 20, 2013**

(54) **FOOTBALL SHAPE REMOTE CONTROL HOLDER**

DESCRIPTION

- (76) Inventor: **Louis Cornacchia**, Point Lookout, NY (US)
- (*) Notice: This patent is subject to a terminal disclaimer.
- (**) Term: **14 Years**
- (21) Appl. No.: **29/424,708**
- (22) Filed: **Jun. 14, 2012**
- (51) **LOC (9) Cl.** **06-04**
- (52) **U.S. Cl.**
USPC **D6/434**
- (58) **Field of Classification Search**
USPC D6/334-336, 344-349, 360-381, D6/388, 403, 434, 454-450, 495-502, 601, D6/674; D8/38; D21/329, 707-713; D30/101, D30/160; 297/22, 31, 35, 239, 256.16, 284.4-284.5, 297/291, 297, 302.4, 411.2, 411.27-411.29, 297/411.43, 440.13, 440.15, 451.1, 452.13, 297/452.19, 452.21, 452.27, 452.29, 452.3, 297/452.41, 452.56, 452.64
See application file for complete search history.

FIG. 1 is a perspective view of the football shape remote control holder, with a lid that opens and closes shown closed, wherein remote control devices which do not form part of the design are shown in phantom as these may be positioned in pockets of the football shape remote control holder;
 FIG. 2 is a left plan view corresponding to FIG. 1;
 FIG. 3 is a right plan view corresponding to FIG. 1, wherein the logo does not form part of the design and therefore is shown in phantom;
 FIG. 4 is a front plan view corresponding to FIG. 1 (with rear, top and bottom views being the same), wherein a hook-and-loop or VELCRO® fastener does not form part of the design and therefore is shown in phantom;
 FIG. 5 is a perspective view of the football shape remote control holder with the lid that opens and closes shown open to reveal a storage area inside the football shape remote control holder;
 FIG. 6 is a left plan view corresponding to FIG. 5;
 FIG. 7 is a right plan view corresponding to FIG. 5;
 FIG. 8 is a front plan view corresponding to FIG. 5;
 FIG. 9 is a rear plan view corresponding to FIG. 5;
 FIG. 10 is a top plan view corresponding to FIG. 5 (with bottom view being the same);
 FIG. 11 is a cross sectional view taken through line 11-11 of FIG. 4 showing the top/left perspective view corresponding to FIG. 1 and showing a cylindrical storage area inside the football shape remote control holder;
 FIG. 12 is a cross sectional view taken through line 12-12 of FIG. 4 showing the bottom/right perspective view corresponding to FIG. 1 showing the cylindrical storage area inside the football shape remote control holder;
 FIG. 13 is a cross sectional view taken through line 13-13 of FIG. 4 showing the top/left perspective view corresponding to FIG. 1 showing an alternative rectangular storage area inside the football shape remote control holder; and,
 FIG. 14 is a cross sectional view taken through line 14-14 of FIG. 4 showing the bottom/right perspective view corresponding to FIG. 1 showing the rectangular storage area inside the football shape remote control holder.

(56) **References Cited**

U.S. PATENT DOCUMENTS

| | | |
|-------------|---------|----------|
| D234,994 S | 4/1975 | Stiene |
| 4,712,693 A | 12/1987 | Striplin |

(Continued)

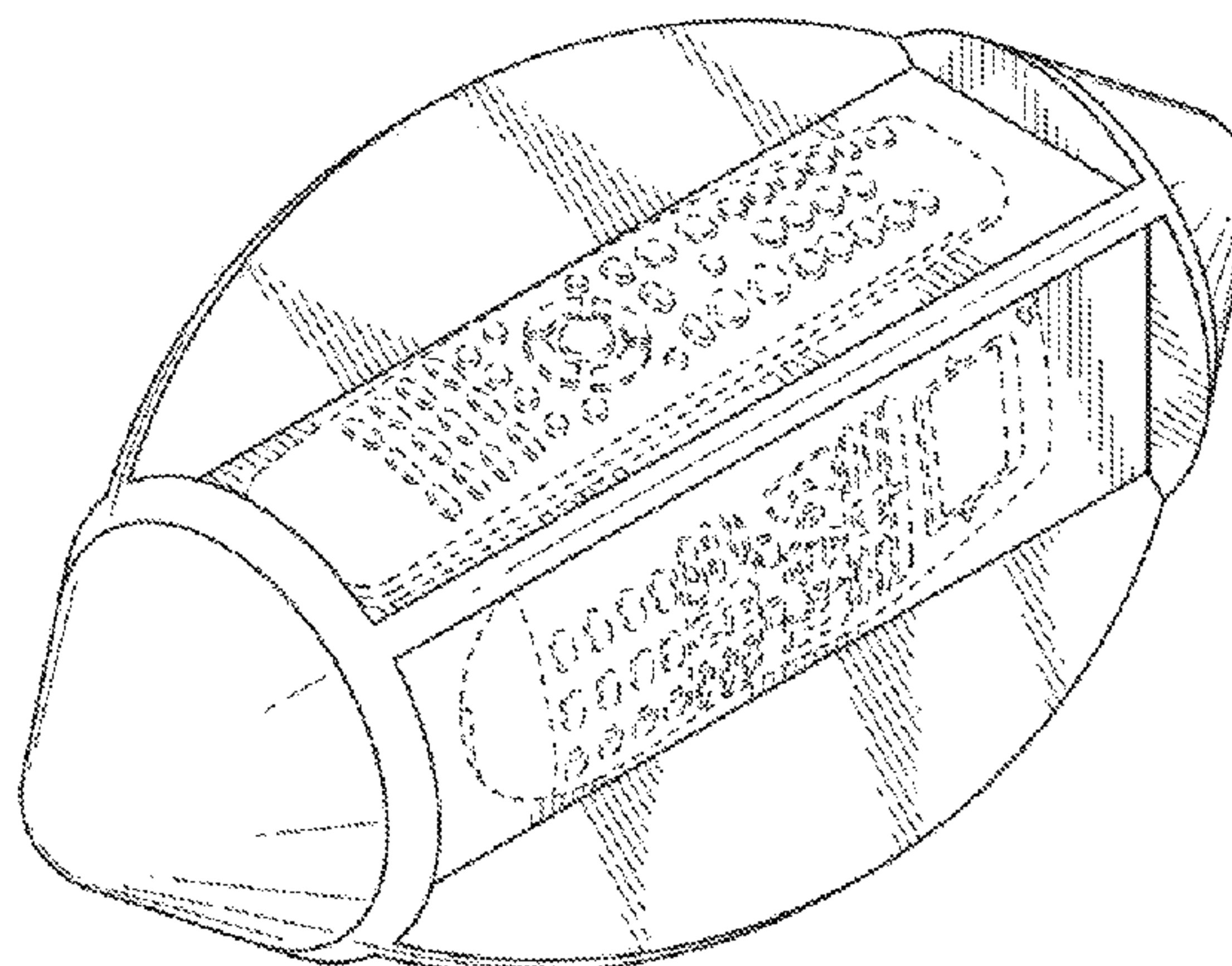
Primary Examiner — Ricky Pham

(74) *Attorney, Agent, or Firm* — Mark D. Trenner; Trenner Law Firm, LLC

(57) **CLAIM**

The ornamental design for a football shape remote control holder, substantially as shown in the attached drawings.

1 Claim, 6 Drawing Sheets



(56)

References Cited

U.S. PATENT DOCUMENTS

4,838,505 A 6/1989 Lowe
 D322,724 S 12/1991 Stravitz
 5,195,634 A 3/1993 Zaug
 D348,366 S 7/1994 Stravitz
 D353,067 S 12/1994 Asmar
 D353,956 S 1/1995 Schmidt
 D363,619 S 10/1995 Karnaze
 D371,917 S 7/1996 Thomas
 D428,752 S 8/2000 Marquez, Jr.
 D473,066 S 4/2003 Kwok
 D494,775 S 8/2004 Birmingham
 D499,607 S 12/2004 Lyon
 D503,758 S * 4/2005 Crane et al. D21/707

D513,096 S * 12/2005 Stiles D30/160
 D516,646 S * 3/2006 Yang D21/713
 D519,751 S 5/2006 Etter
 D532,995 S 12/2006 Dorazio
 D552,307 S * 10/2007 Renforth et al. D30/160
 D556,275 S * 11/2007 Crane et al. D21/713
 D562,419 S * 2/2008 Crane et al. D21/712
 D609,987 S * 2/2010 Moman D8/38
 D611,729 S * 3/2010 Lau D6/450
 D616,670 S * 6/2010 Lau D6/450
 D623,436 S * 9/2010 Lau D6/450
 D625,163 S * 10/2010 Moman D8/38
 D644,077 S * 8/2011 Moman D8/38
 D644,078 S * 8/2011 Moman D8/38

* cited by examiner

Fig. 1

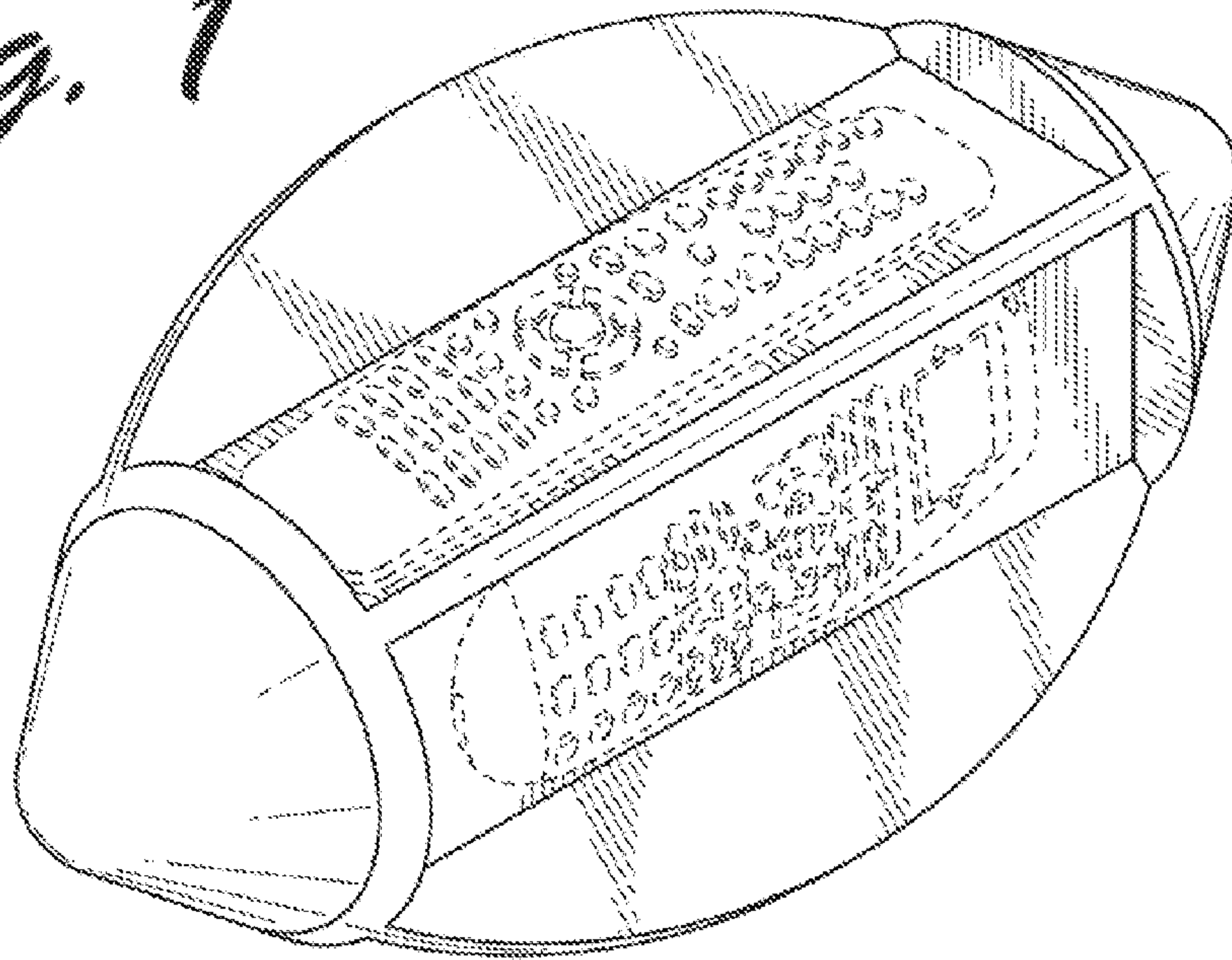


Fig. 2

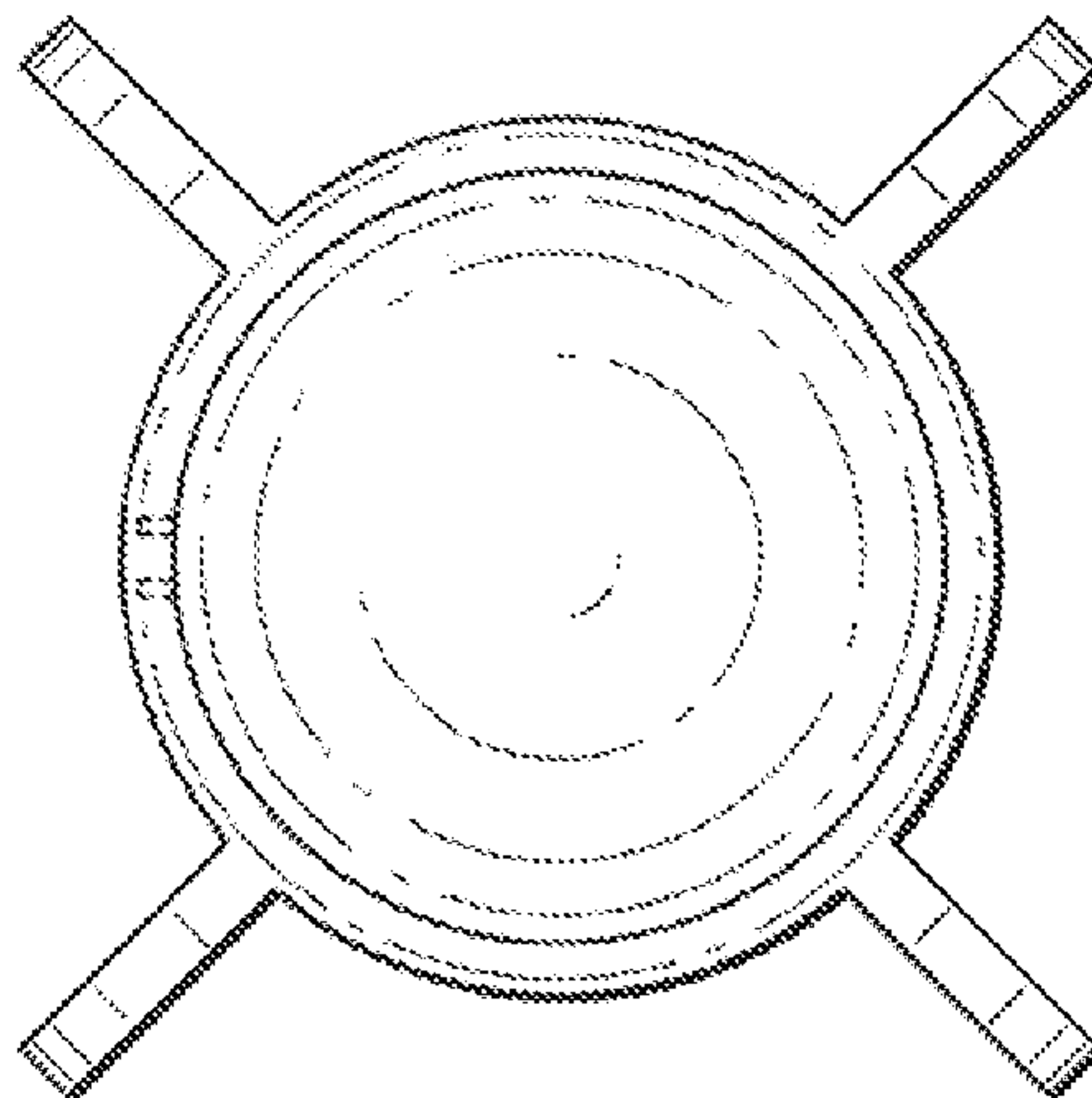


Fig. 3

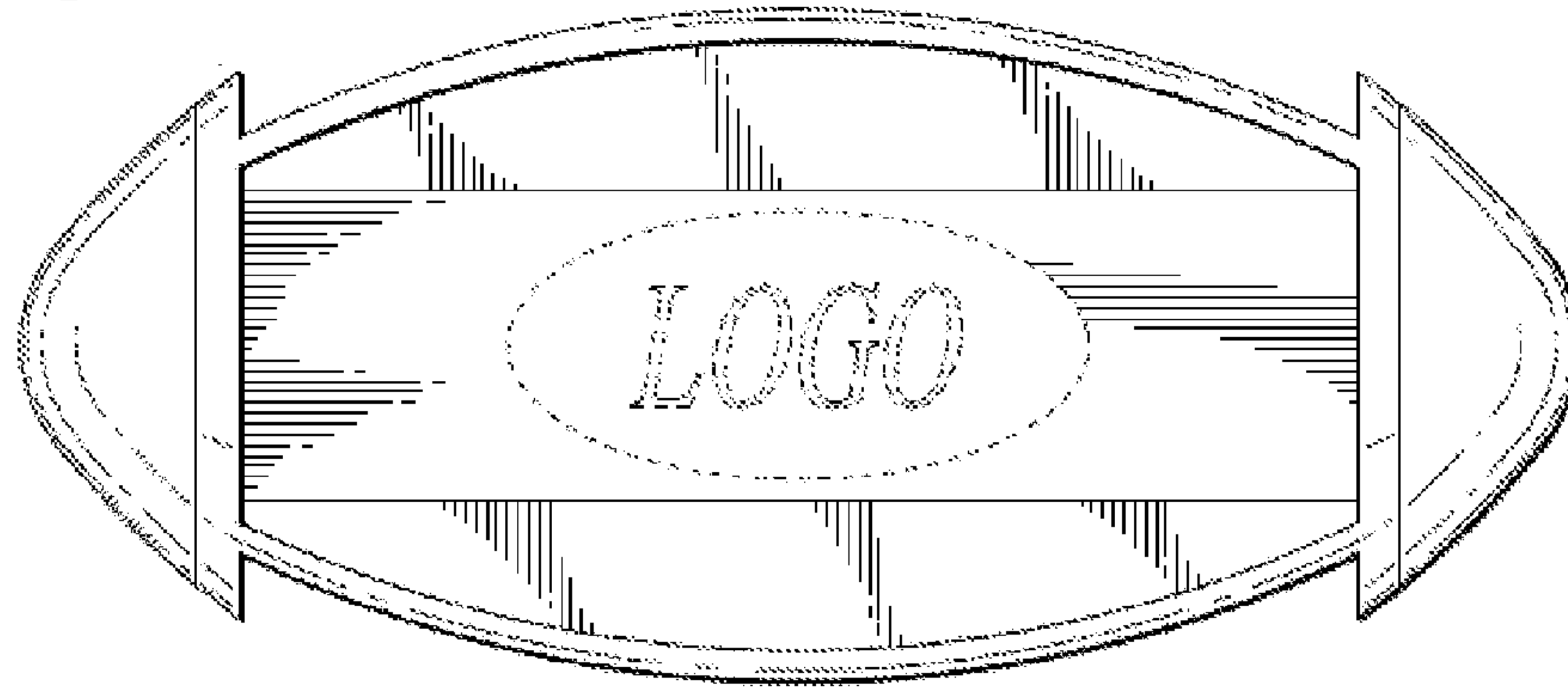


Fig. 4

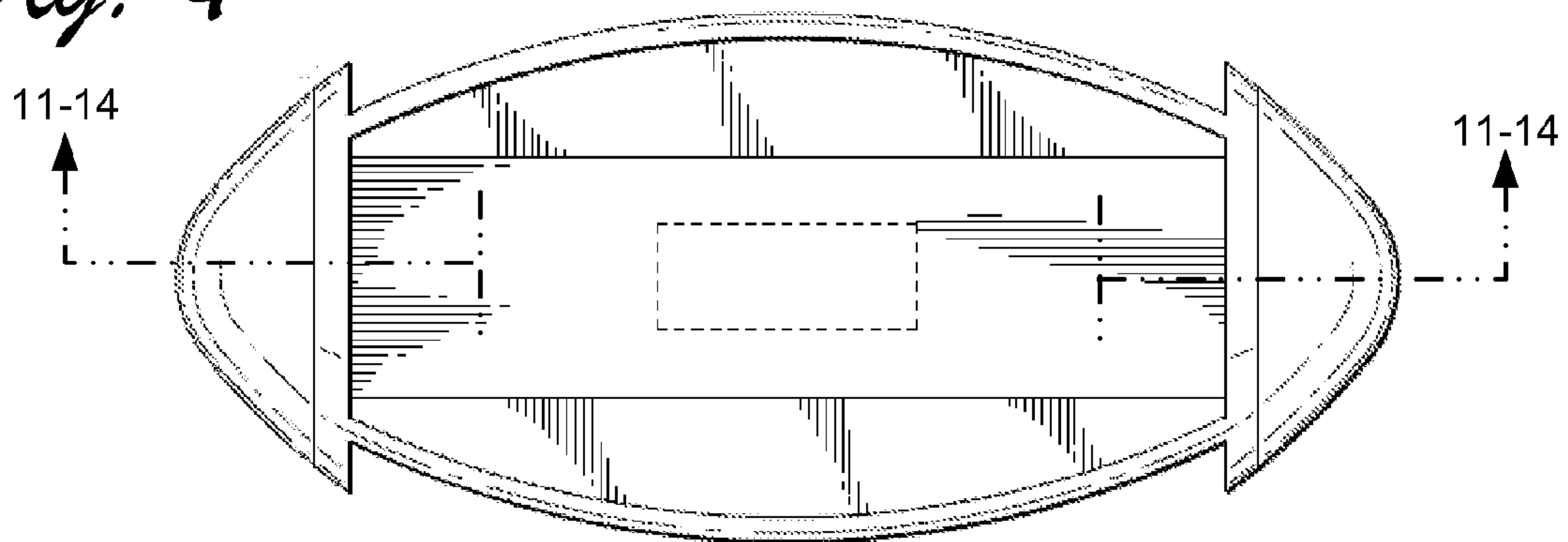


Fig. 5

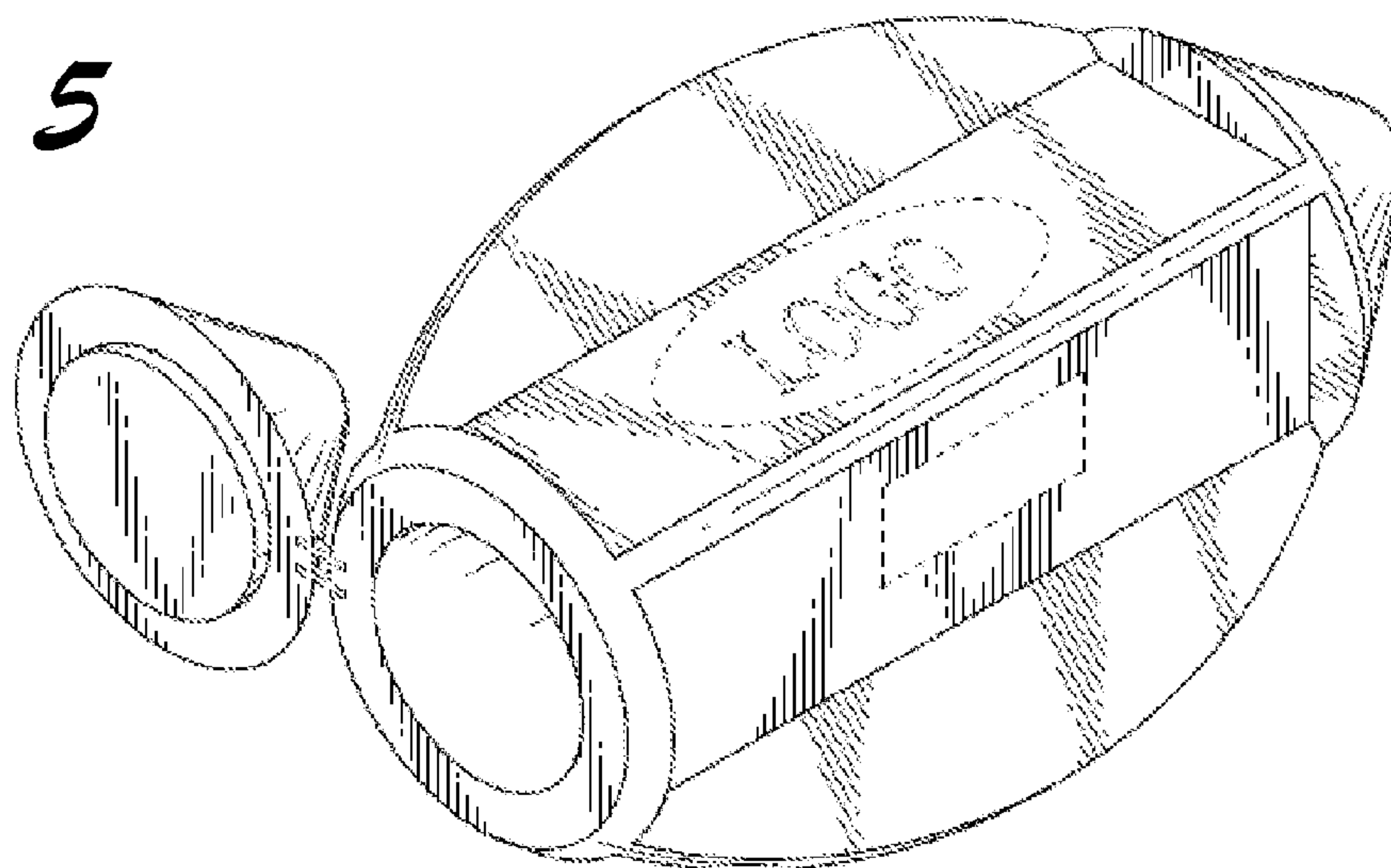


Fig. 6

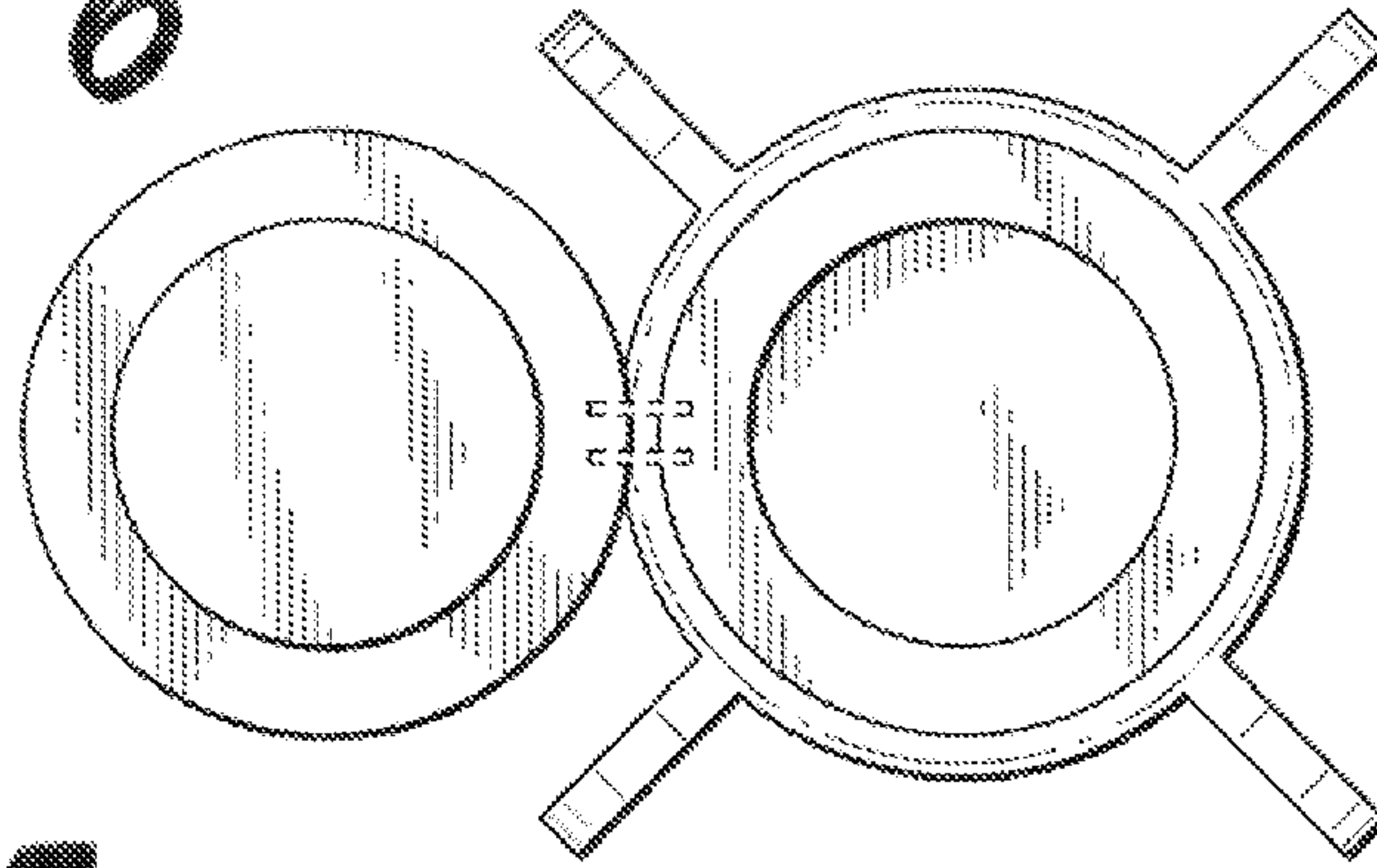


Fig. 7

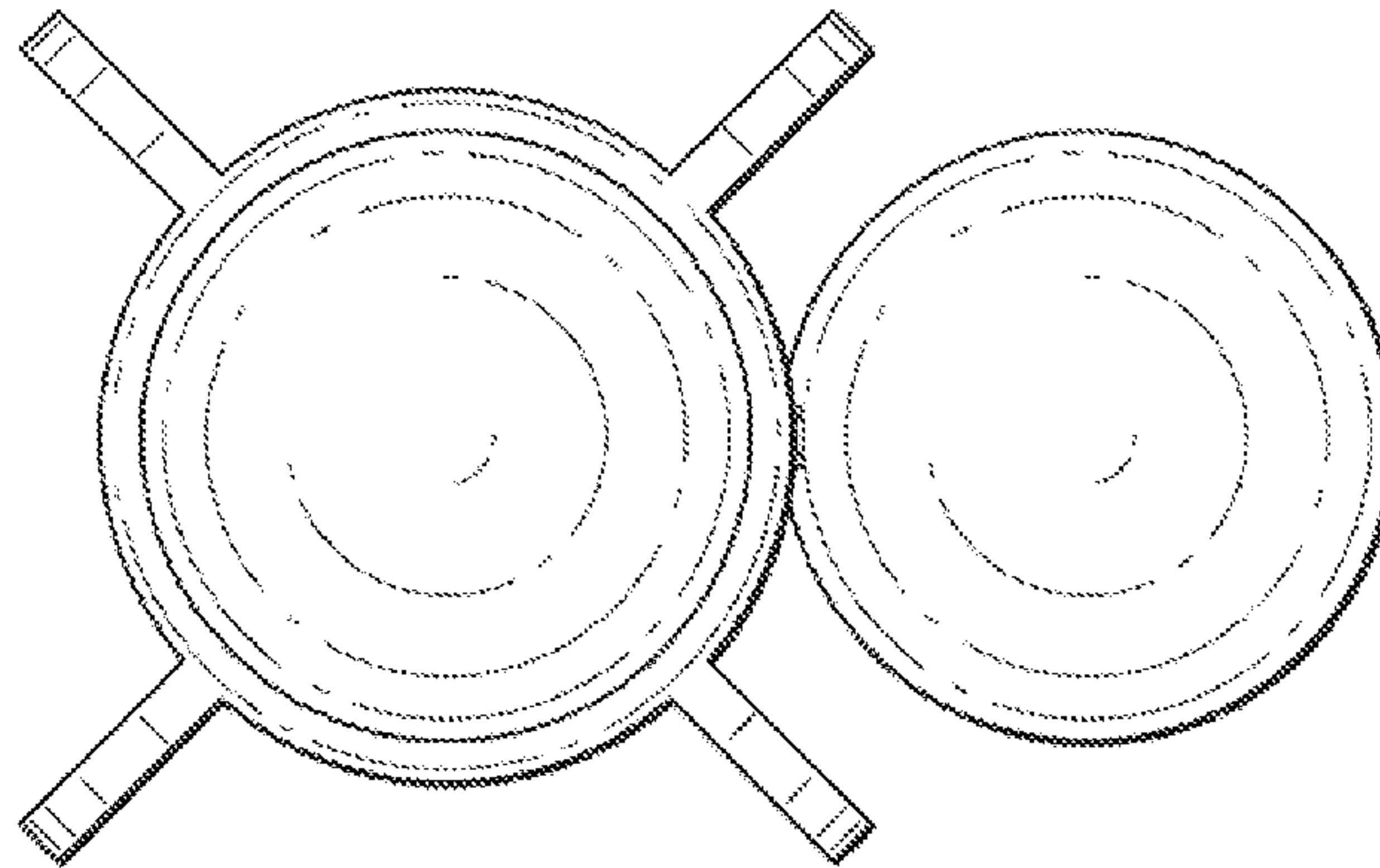


Fig. 8

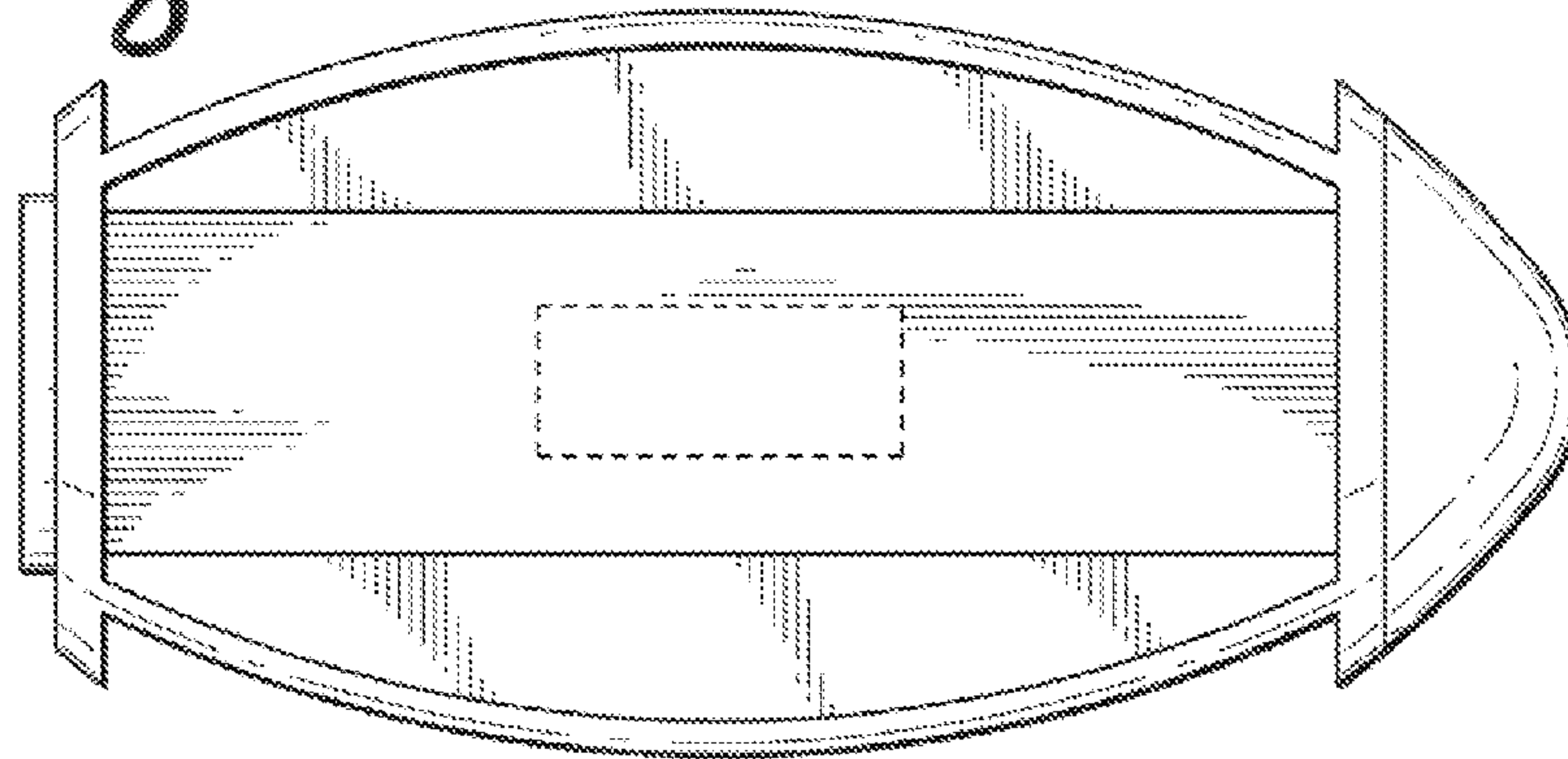


Fig. 9

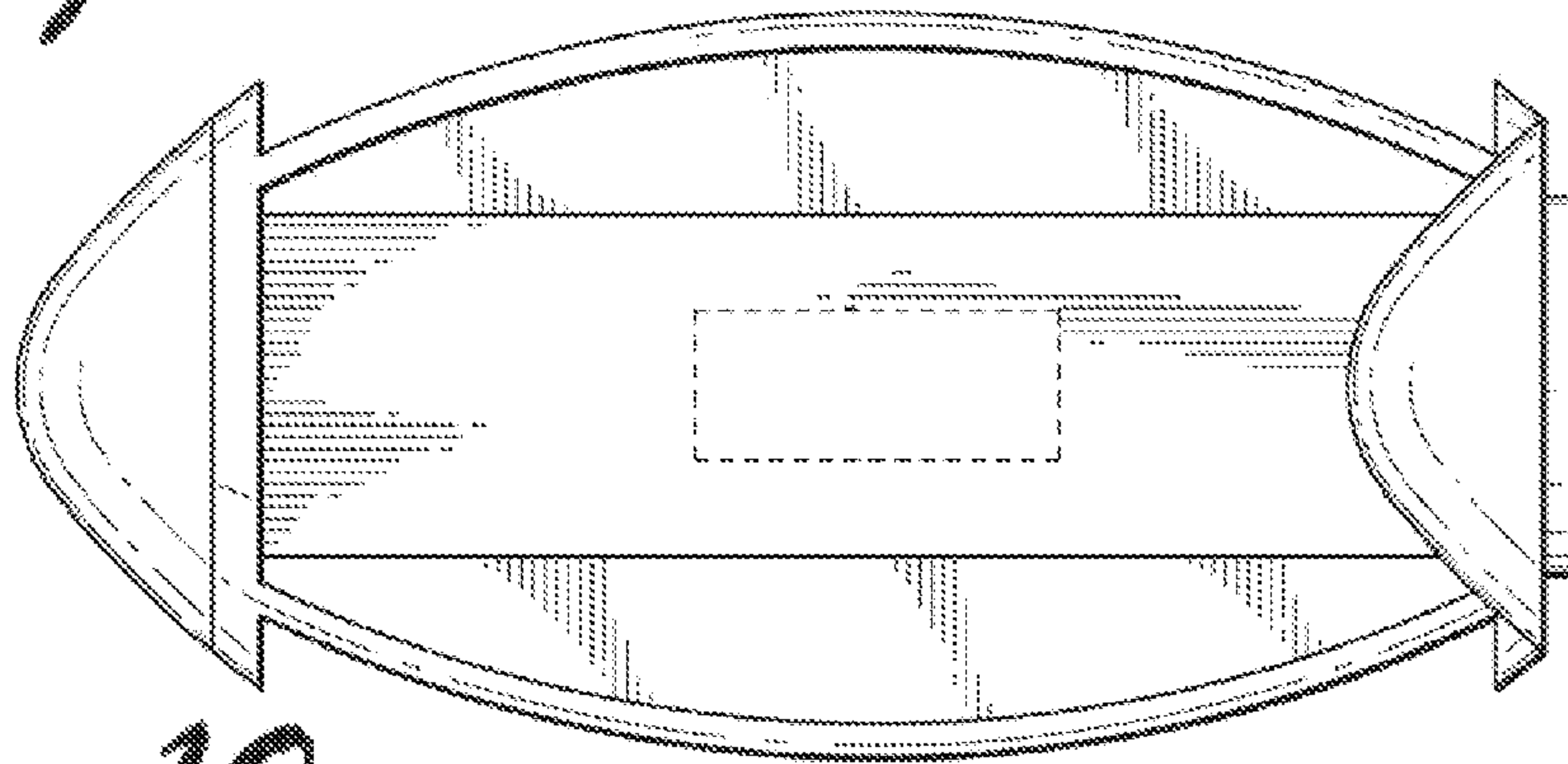


Fig. 10

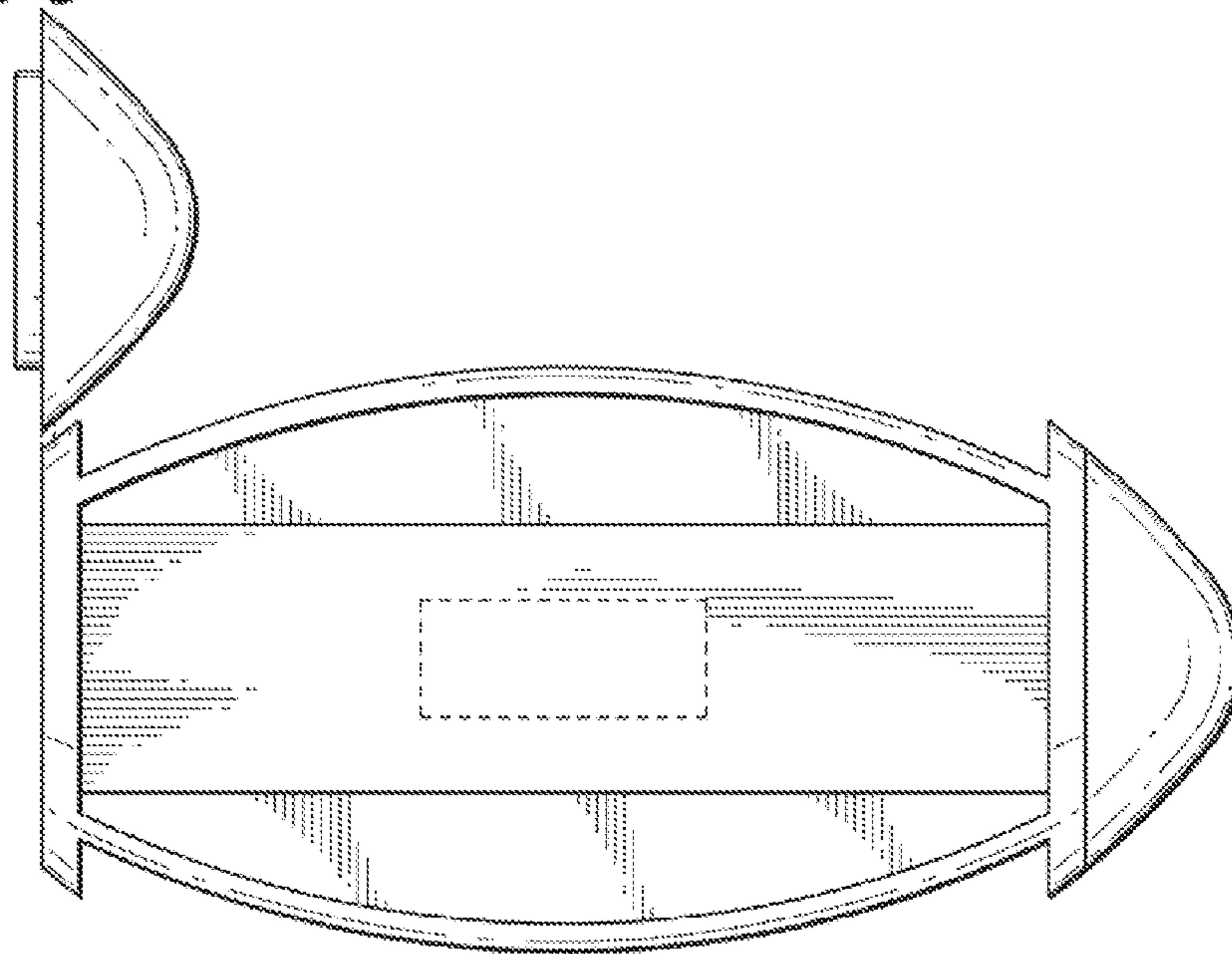


Fig. 11

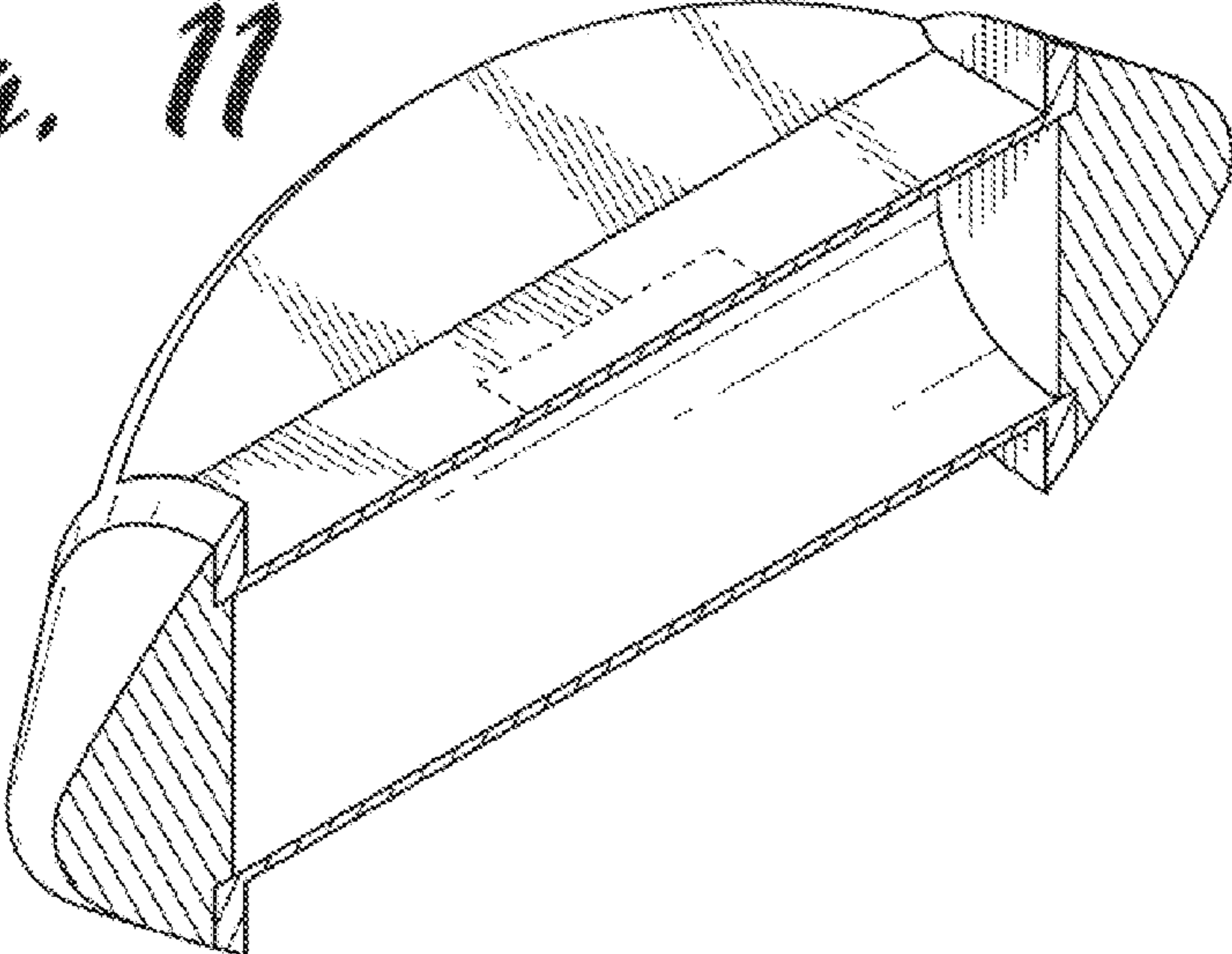


Fig. 12

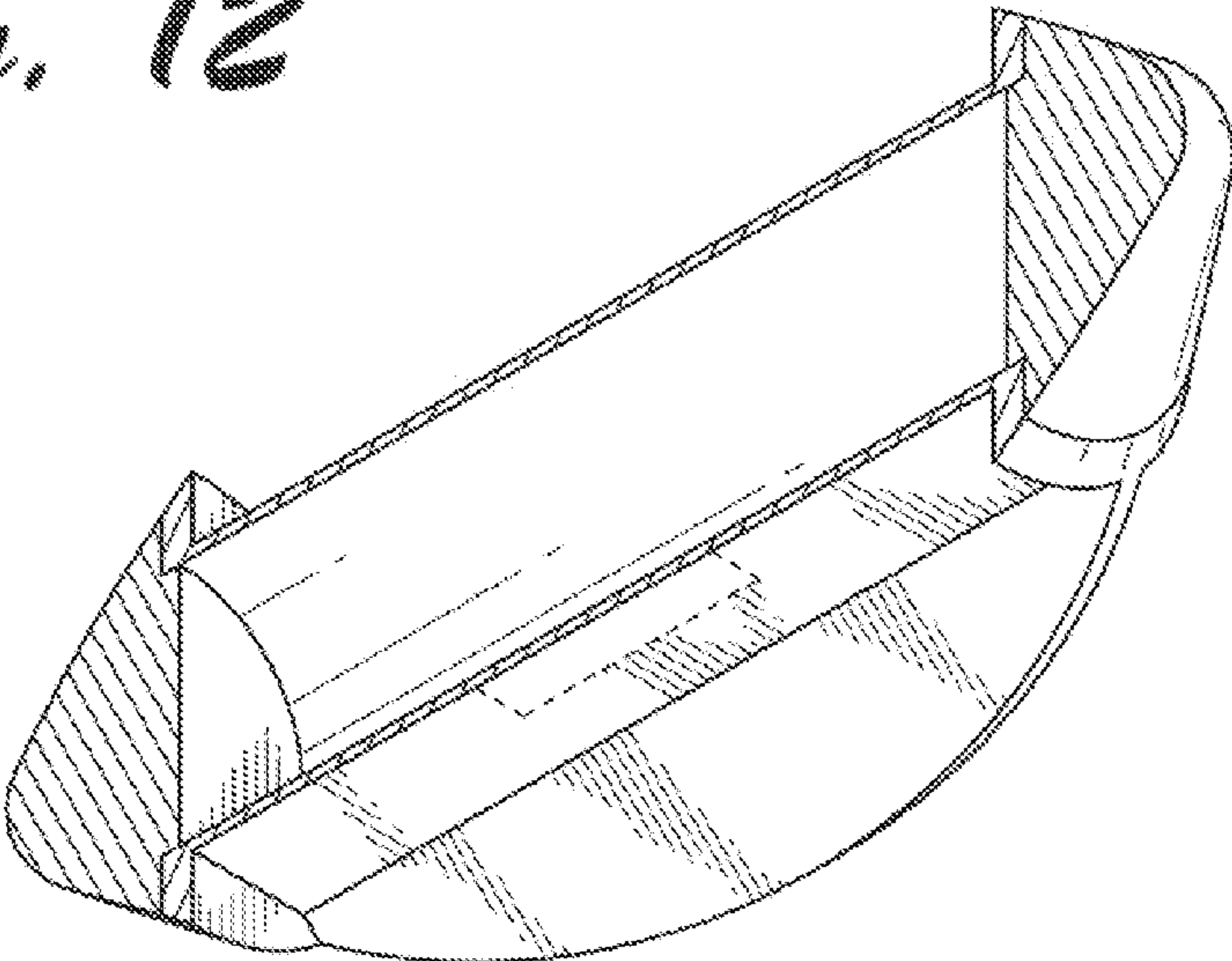


Fig. 13

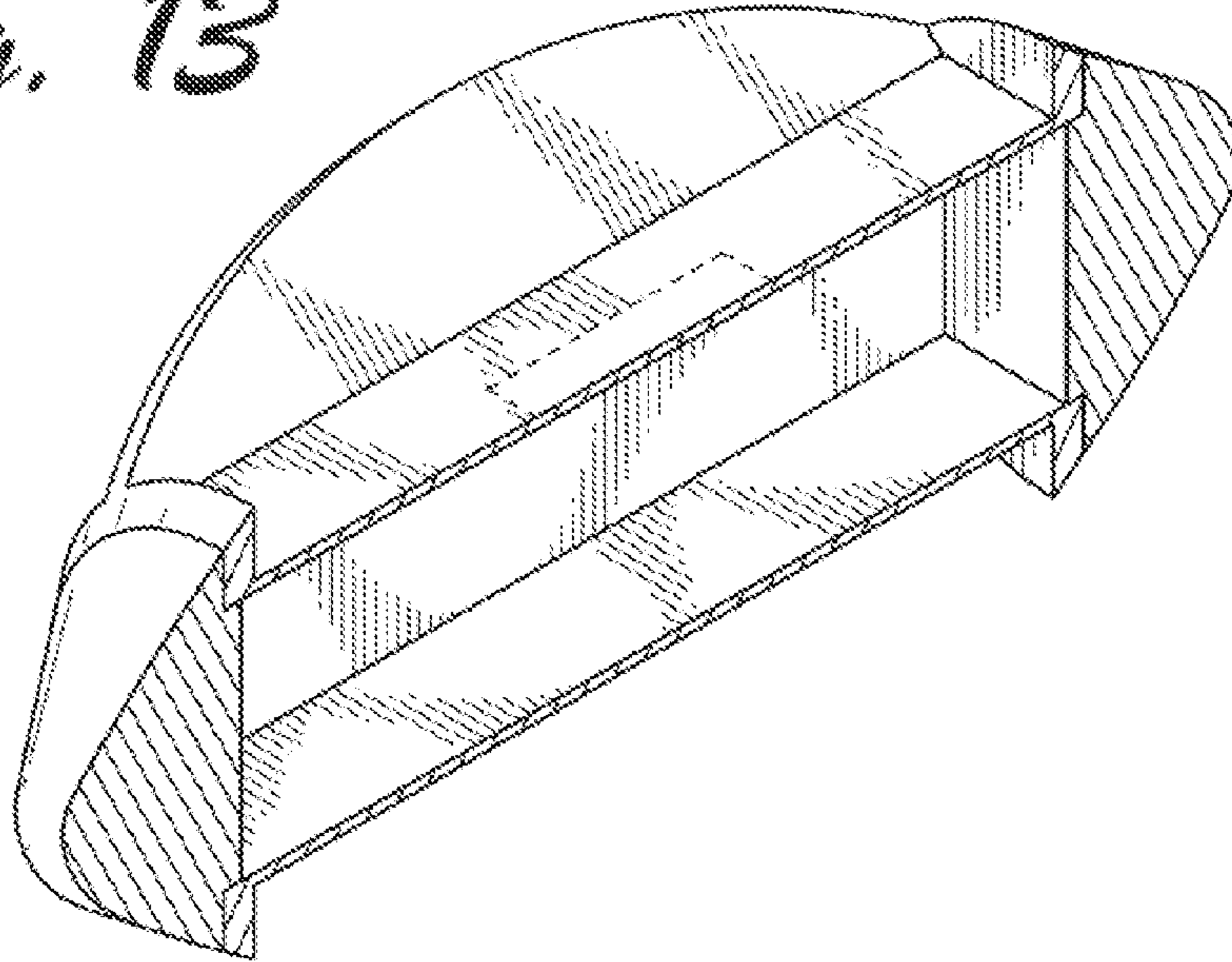


Fig. 14

