



US00D688057S

(12) **United States Design Patent**
Christakos

(10) **Patent No.:** **US D688,057 S**
(45) **Date of Patent:** **** Aug. 20, 2013**

- (54) **COLLAPSIBLE BUNGEE CHAIR**
- (71) Applicant: **Blu Dot Design & Manufacturing, Inc.**,
Minneapolis, MN (US)
- (72) Inventor: **John N. Christakos**, Minneapolis, MN
(US)
- (73) Assignee: **Blu Dot Design & Manufacturing, Inc.**,
Minneapolis, MN (US)
- (**) Term: **14 Years**
- (21) Appl. No.: **29/451,046**
- (22) Filed: **Mar. 27, 2013**

Related U.S. Application Data

- (62) Division of application No. 29/414,777, filed on Mar. 2, 2012, now Pat. No. Des. 681,970.
- (51) **LOC (9) Cl.** **06-01**
- (52) **U.S. Cl.**
USPC **D6/368**
- (58) **Field of Classification Search**
USPC D6/334-336, 344-353, 360-381,
D6/388, 403, 491-502, 692, 708, 716, 716.2;
D21/790; 273/400-402; 297/16.1, 16.2,
297/22, 31, 32-35, 56, 217.1, 228.12, 239,
297/256.16, 271.6, 284.4-284.5, 291, 297,
297/302.4, 411.2, 411.27-411.29, 411.43,
297/423.1, 423.12, 440.11, 440.15, 440.24,
297/448.1, 451.4, 452.13, 452.19, 452.21,
297/452.27, 452.29, 452.3, 452.41, 452.56,
297/452.642

See application file for complete search history.

(56) **References Cited**

U.S. PATENT DOCUMENTS

- D168,212 S * 11/1952 Cicchelli D6/379
- D171,265 S * 1/1954 Phillips D6/375
- 2,723,712 A * 11/1955 Yellen 297/440.11

- D184,202 S * 12/1958 Yuen D6/369
- 2,930,430 A * 3/1960 Bloom 297/271.6
- 3,180,685 A * 4/1965 Rogalski et al. 297/440.24
- 3,694,030 A * 9/1972 Grosfillex 297/448.1
- D292,048 S * 9/1987 Shaffer D6/363
- D429,303 S * 8/2000 Peterson, Jr. D21/790
- 6,332,646 B1 12/2001 Tseng
- 6,702,371 B2 * 3/2004 Zheng 297/16.2
- 6,883,862 B1 * 4/2005 Yao 297/16.1
- D507,616 S * 7/2005 Simpson D21/790
- 6,971,712 B1 * 12/2005 Tseng 297/32
- D554,873 S * 11/2007 Ma D6/349
- 7,401,785 B1 * 7/2008 Waite 273/400
- D649,800 S * 12/2011 Lievore et al. D6/373
- D677,920 S * 3/2013 Christakos D6/368

(Continued)

OTHER PUBLICATIONS

Advertisement from Target, "Woven Techniques Hard Goods", Interior Design Capsule, made publicly available by at least Feb. 27, 2012.

Primary Examiner — Ricky Pham

(74) *Attorney, Agent, or Firm* — Fredrikson & Byron, P.A.

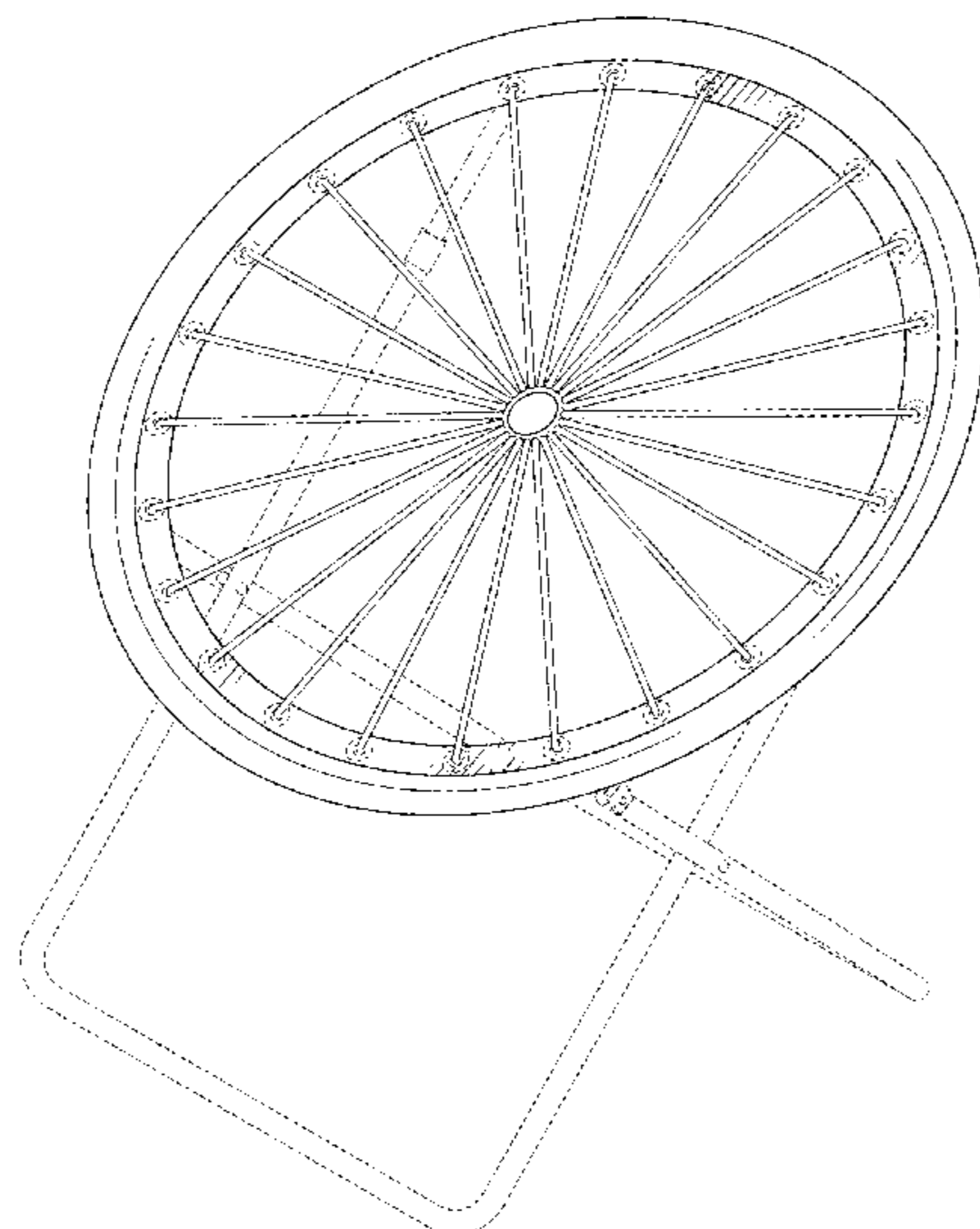
(57) **CLAIM**

I claim the ornamental design for a collapsible bungee chair, as shown and described.

DESCRIPTION

FIG. 1 is a front perspective view of the collapsible bungee chair of our design;
 FIG. 2 is a front elevational view thereof;
 FIG. 3 is a rear elevational view thereof;
 FIG. 4 is a right-side elevation view thereof, the left-side elevation view being a mirror image thereof;
 FIG. 5 is a top plan view thereof; and,
 FIG. 6 is a bottom plan view thereof.
 Where included, broken lines showing environment or structure are for illustrative purposes only and form no part of the claimed design.

1 Claim, 4 Drawing Sheets



(56)

References Cited

U.S. PATENT DOCUMENTS

D681,970 S * 5/2013 Christakos D6/368
2001/0009871 A1 * 7/2001 Cho 473/197
2002/0183128 A1 * 12/2002 Cho 473/197
2003/0008721 A1 * 1/2003 Macaluso 473/197

2003/0078111 A1 * 4/2003 Wenzler 473/197
2004/0245810 A1 * 12/2004 Tseng 297/56
2007/0052178 A1 * 3/2007 Cottrell 273/402
2007/0063550 A1 * 3/2007 Lin 297/16.1
2010/0164256 A1 * 7/2010 Salisbury 297/16.2

* cited by examiner

FIG. 1

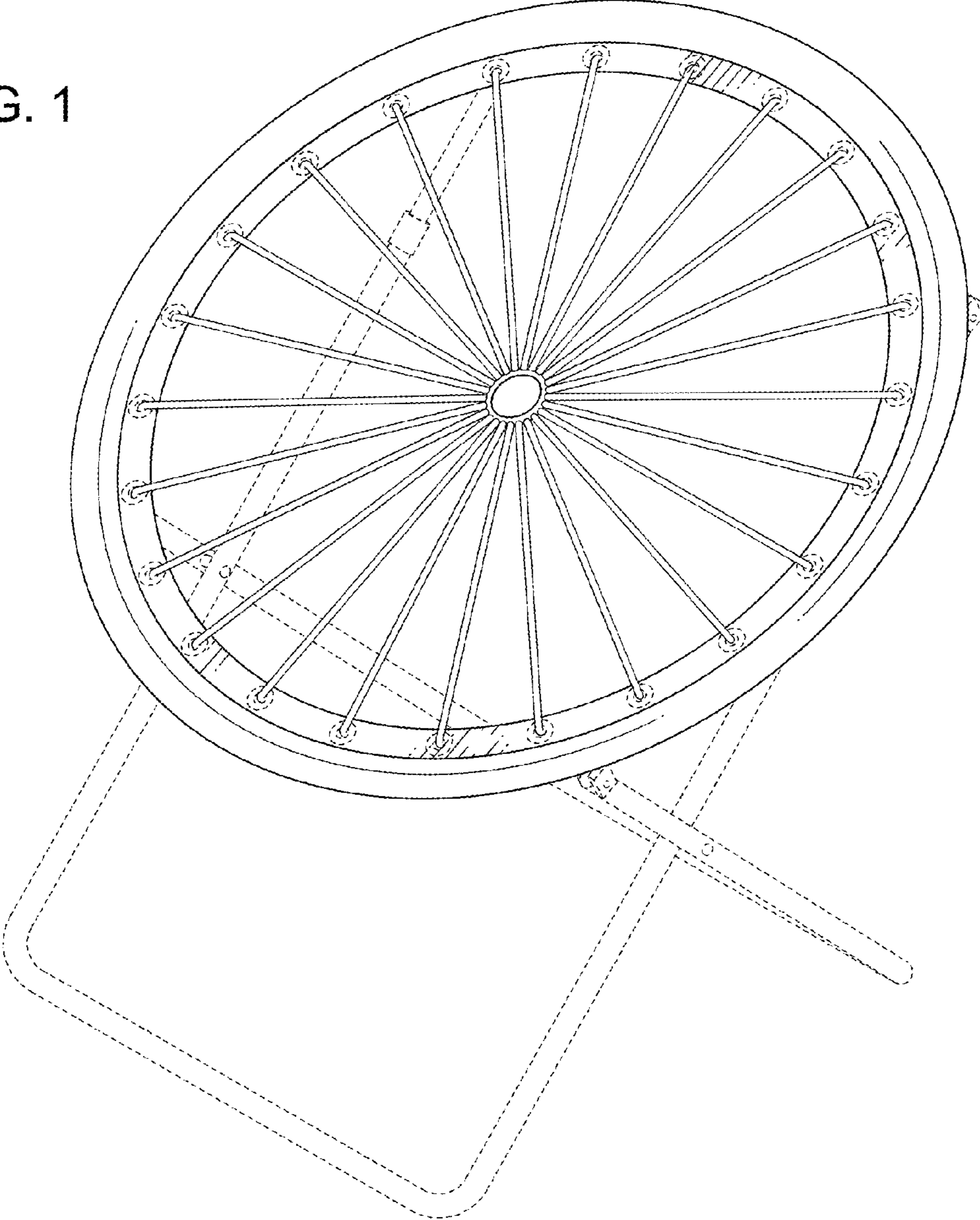


FIG. 2

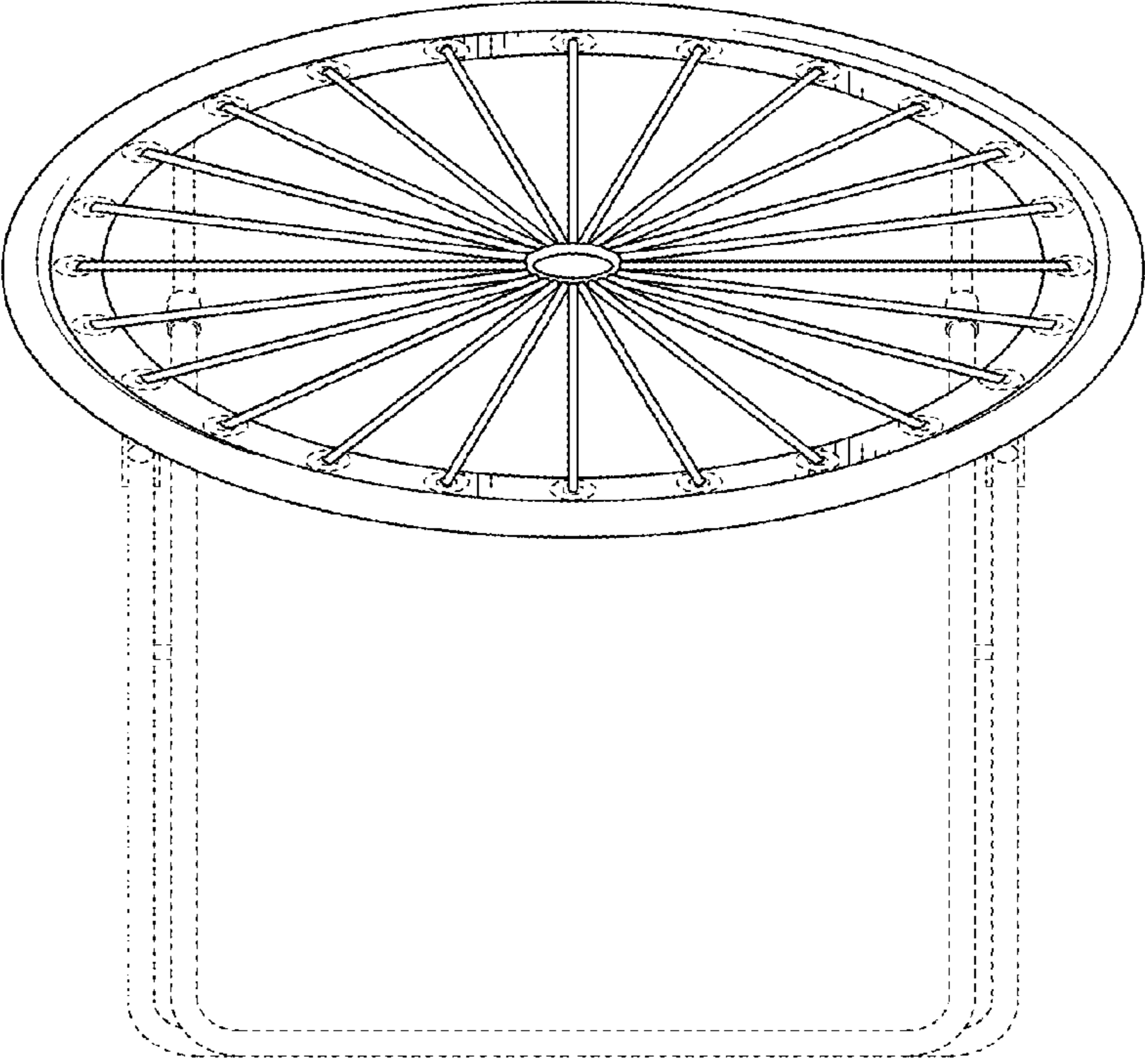


FIG. 3

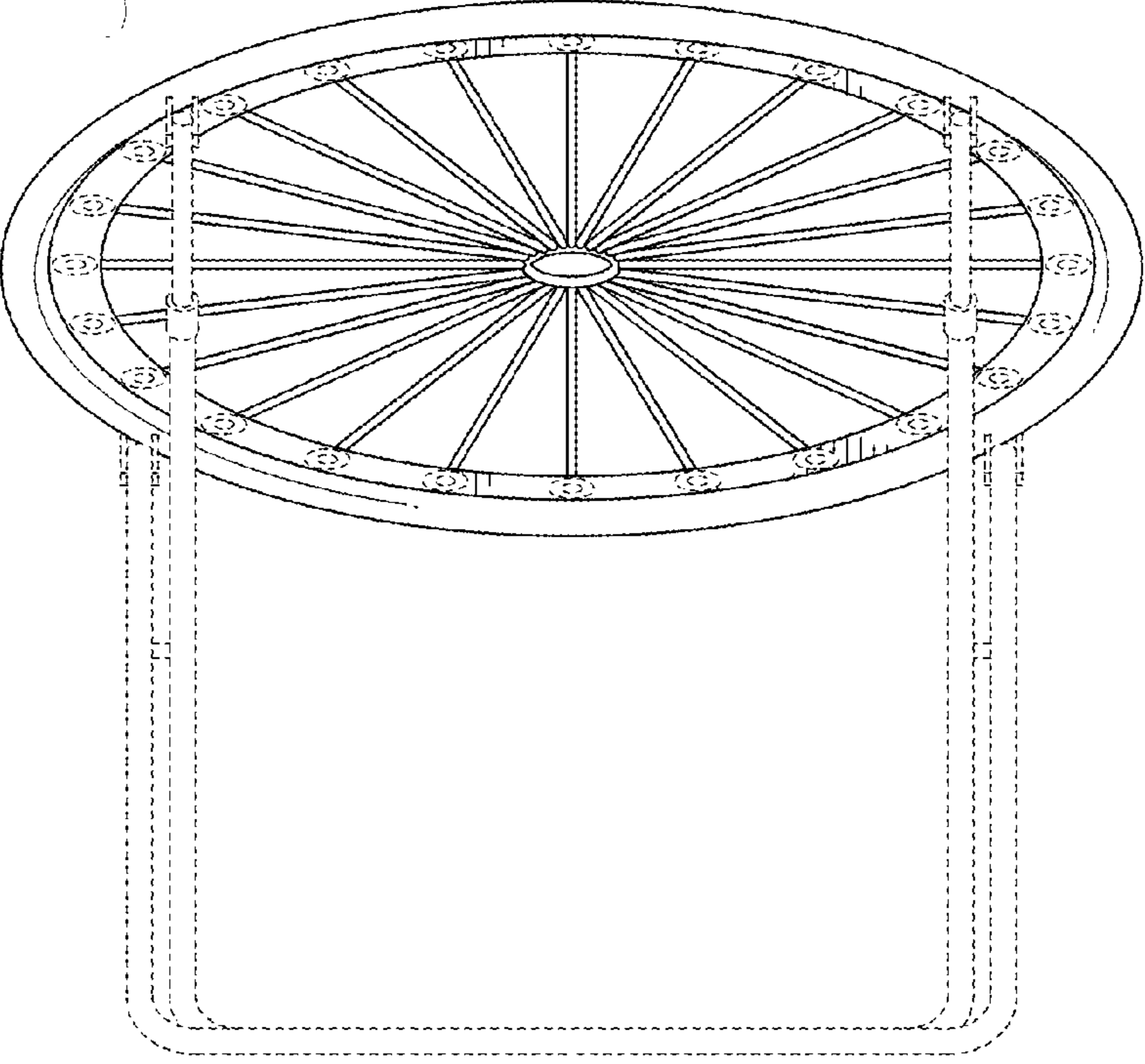


FIG. 4

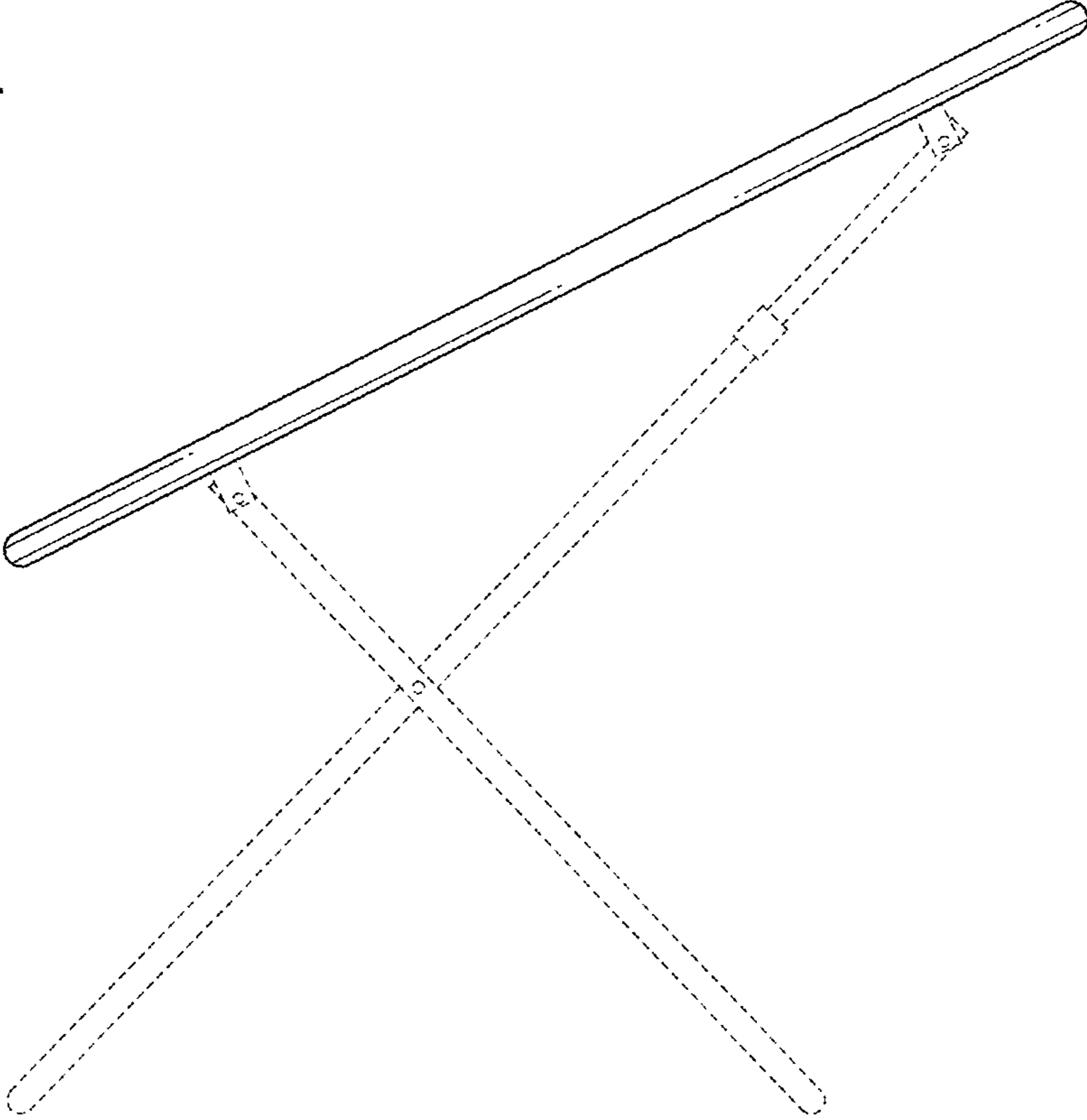


FIG. 5

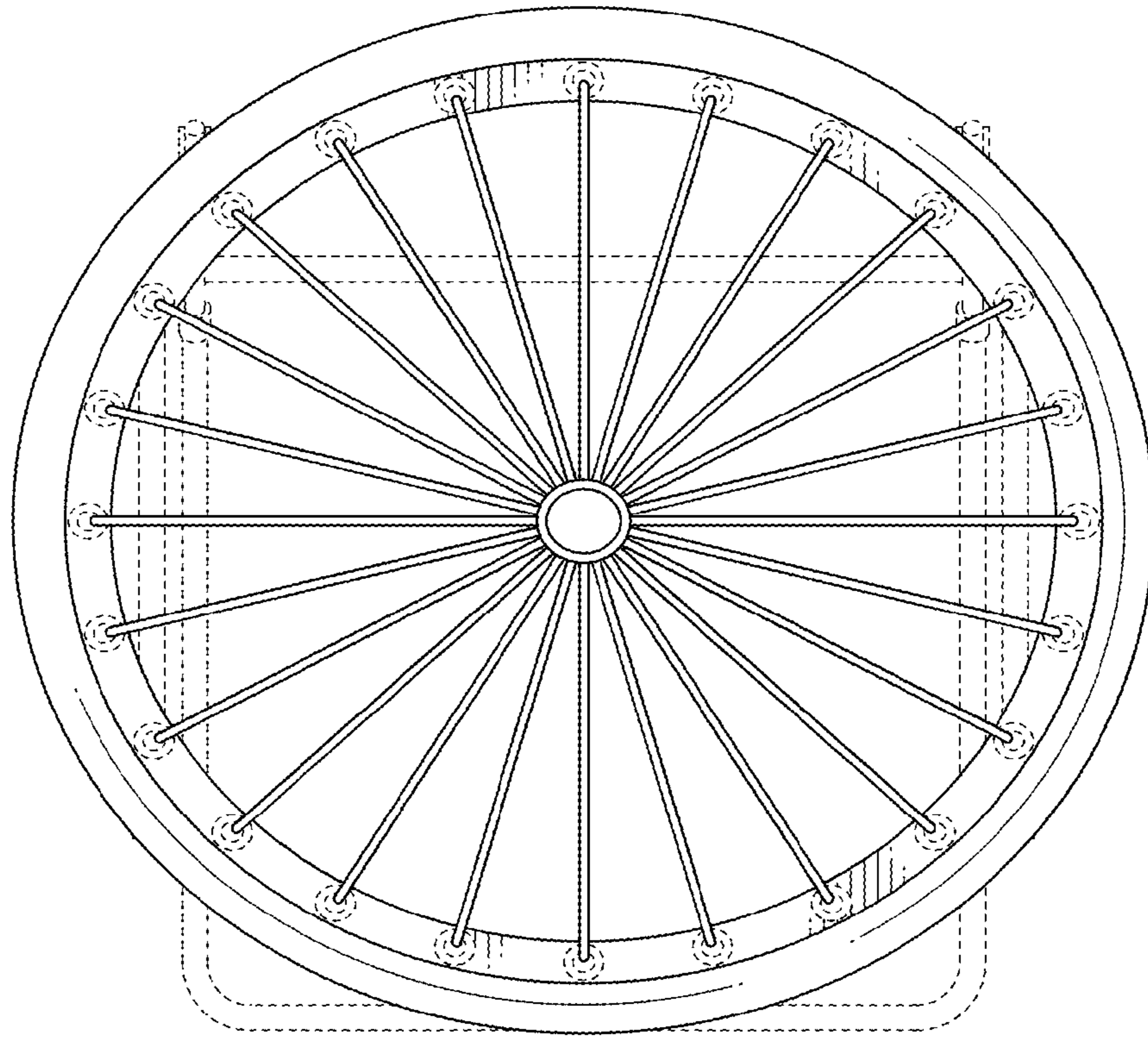


FIG. 6

