



US00D688056S

(12) **United States Design Patent**  
**Phillips et al.**

(10) **Patent No.:** **US D688,056 S**

(45) **Date of Patent:** **\*\* Aug. 20, 2013**

(54) **OFFICE CHAIR**

(75) Inventors: **John W. Phillips**, Huntington Beach, CA (US); **Mitchell David Mulder**, Fountain Valley, CA (US); **Matthew J. Gerules**, Huntington Beach, CA (US)

(73) Assignee: **Exemplis**, Cypress, CA (US)

(\*\*) Term: **14 Years**

(21) Appl. No.: **29/424,231**

(22) Filed: **Jun. 8, 2012**

(51) **LOC (9) Cl.** ..... **06-01**

(52) **U.S. Cl.**  
USPC ..... **D6/366**

(58) **Field of Classification Search**  
USPC ..... D6/334-336, 364, 365, 366, 367, D6/369, 374, 379, 716, 716.1, 716.2, 716.3, D6/716.4; 297/411.2, 411.28, 452.21, 452.26, 297/452.29, 452.32, 452.35, 452.48  
See application file for complete search history.

(56) **References Cited**

U.S. PATENT DOCUMENTS

D487,359 S *	3/2004	Giugiaro	.....	D6/366
D535,505 S *	1/2007	Cai	.....	D6/716.2
D545,076 S *	6/2007	Dallmann et al.	.....	D6/366
D557,027 S *	12/2007	Hara	.....	D6/366
D557,950 S *	12/2007	Lu	.....	D6/716.2
D576,813 S *	9/2008	Baldanzi et al.	.....	D6/366
D579,223 S *	10/2008	Greutmann	.....	D6/366
D579,682 S *	11/2008	Neil	.....	D6/366
D596,418 S *	7/2009	Ueda	.....	D6/366

D607,653 S *	1/2010	Wilkinson et al.	.....	D6/366
D640,478 S *	6/2011	Neil	.....	D6/366
D654,710 S *	2/2012	Fujita	.....	D6/366
D655,522 S *	3/2012	Czumaj-Bront et al.	.....	D6/366
D662,330 S *	6/2012	Tanaka et al.	.....	D6/366
D670,927 S *	11/2012	Hurford	.....	D6/366
D679,107 S *	4/2013	Darrow et al.	.....	D6/366

\* cited by examiner

*Primary Examiner* — Mimoso De

(74) *Attorney, Agent, or Firm* — Gordon & Rees LLP

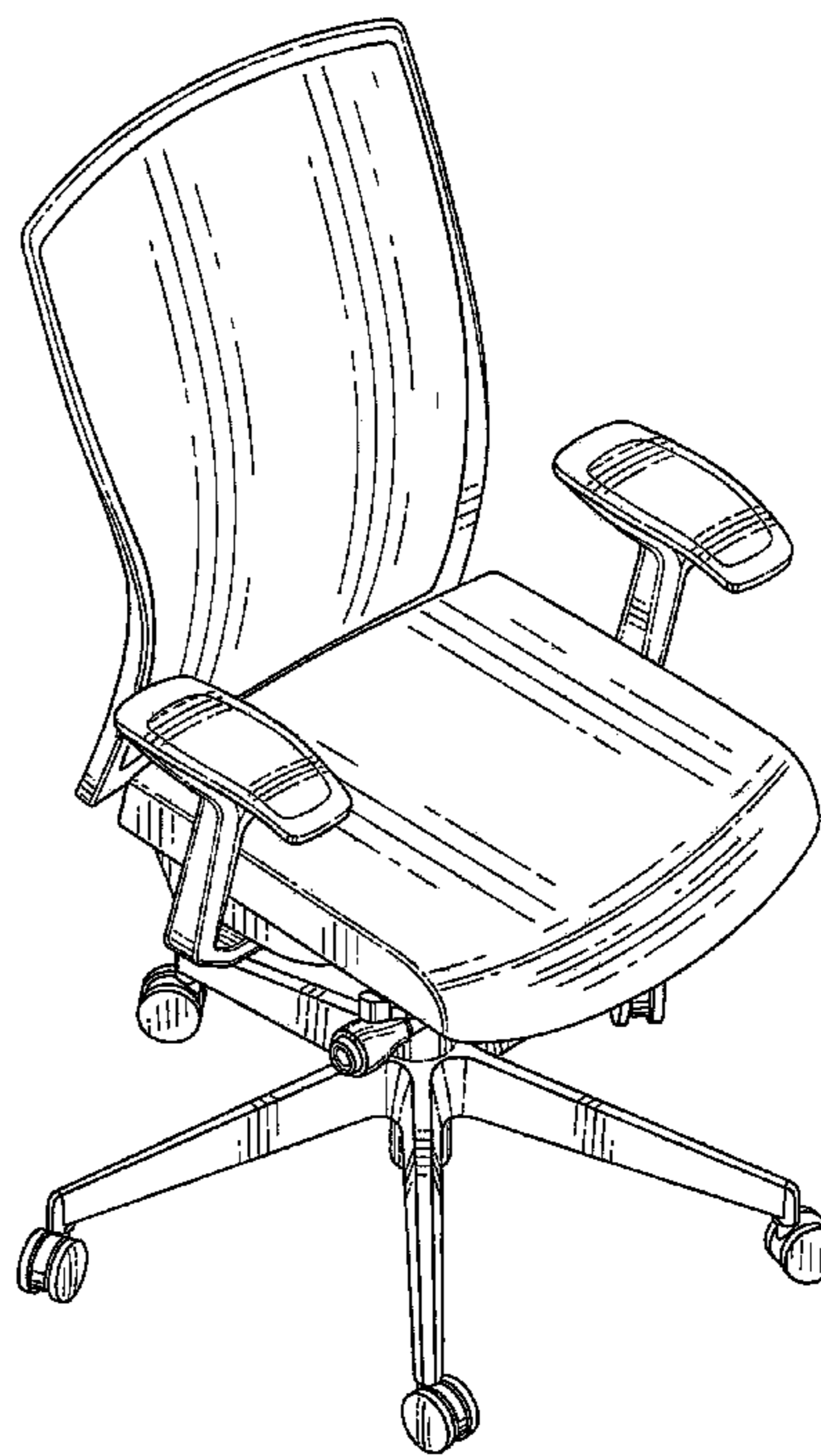
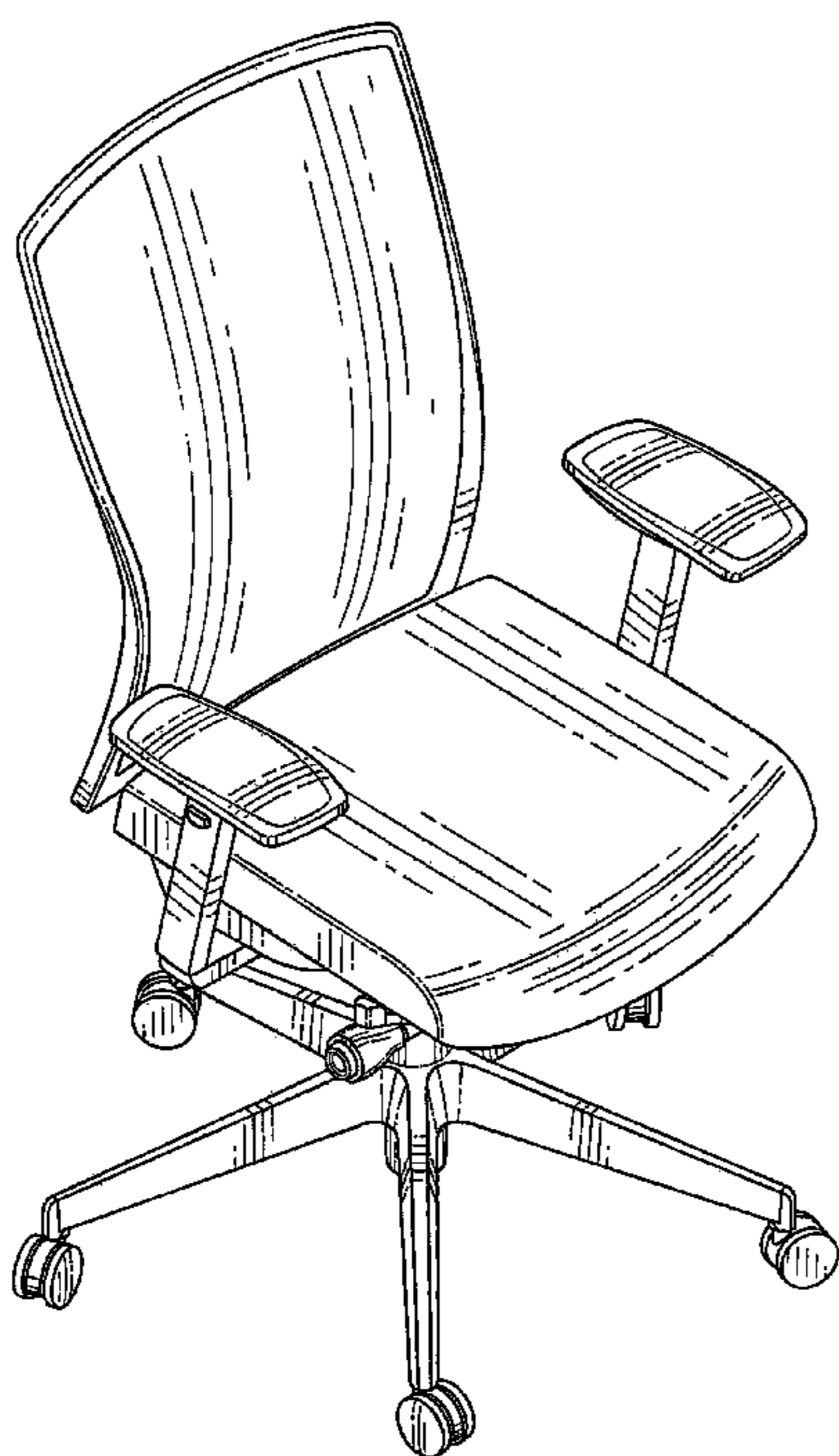
(57) **CLAIM**

The ornamental design for a office chair, as shown and described.

**DESCRIPTION**

FIG. 1 is a top front perspective view of a first embodiment of an office chair having adjustable arms.  
 FIG. 2 is a front elevation view thereof.  
 FIG. 3 is a rear elevation view thereof.  
 FIG. 4 is a right side elevation view thereof.  
 FIG. 5 is a left side elevation view thereof.  
 FIG. 6 is a top plan view thereof.  
 FIG. 7 is a bottom plan view thereof.  
 FIG. 8 is a top front perspective view of a second embodiment of the office chair having fixed arms.  
 FIG. 9 is a front elevation view thereof.  
 FIG. 10 is a rear elevation view thereof.  
 FIG. 11 is a right side elevation view thereof.  
 FIG. 12 is a left side elevation view thereof.  
 FIG. 13 is a top plan view thereof; and,  
 FIG. 14 is a bottom plan view thereof.

**1 Claim, 14 Drawing Sheets**



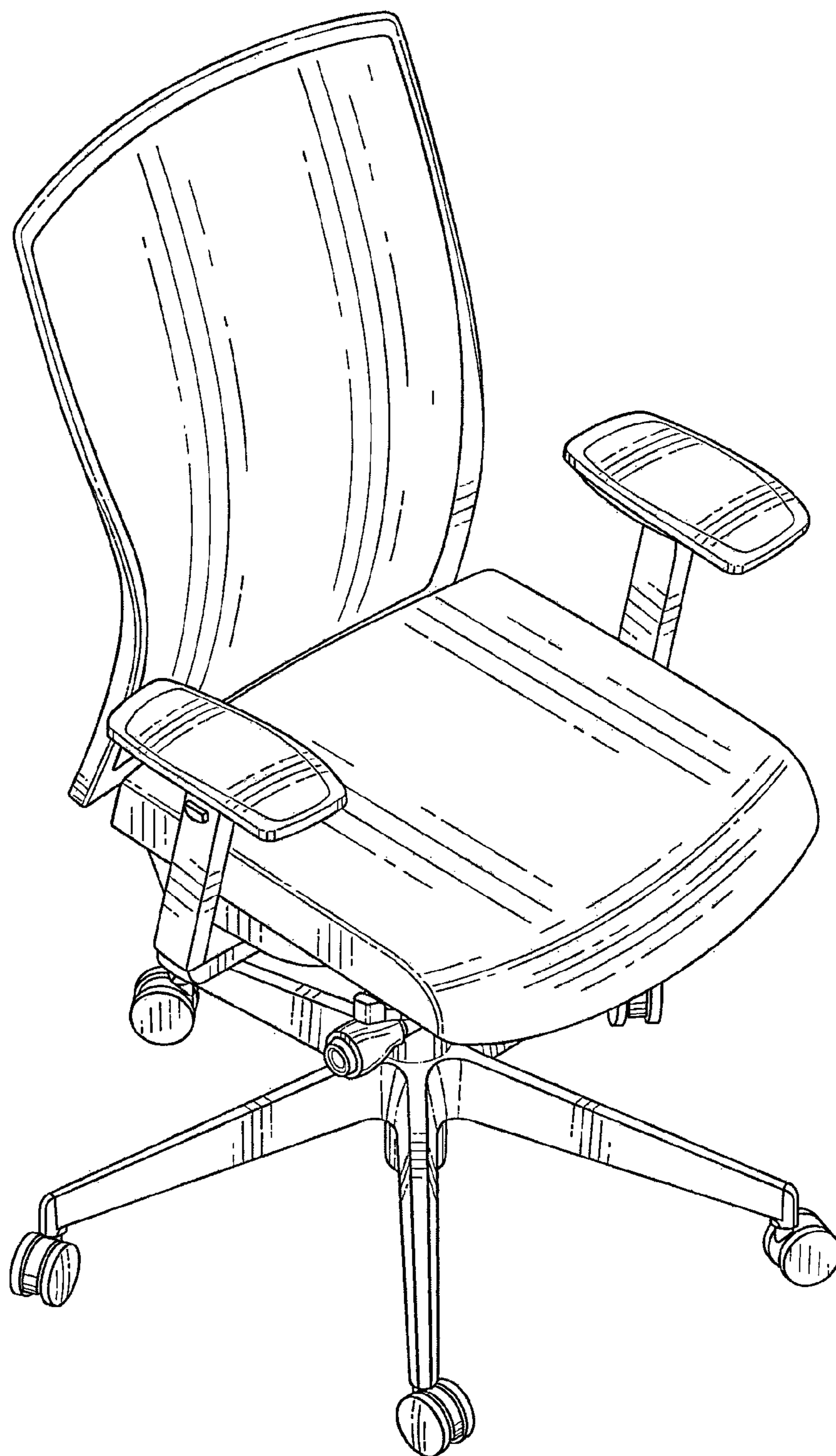


FIG. 1

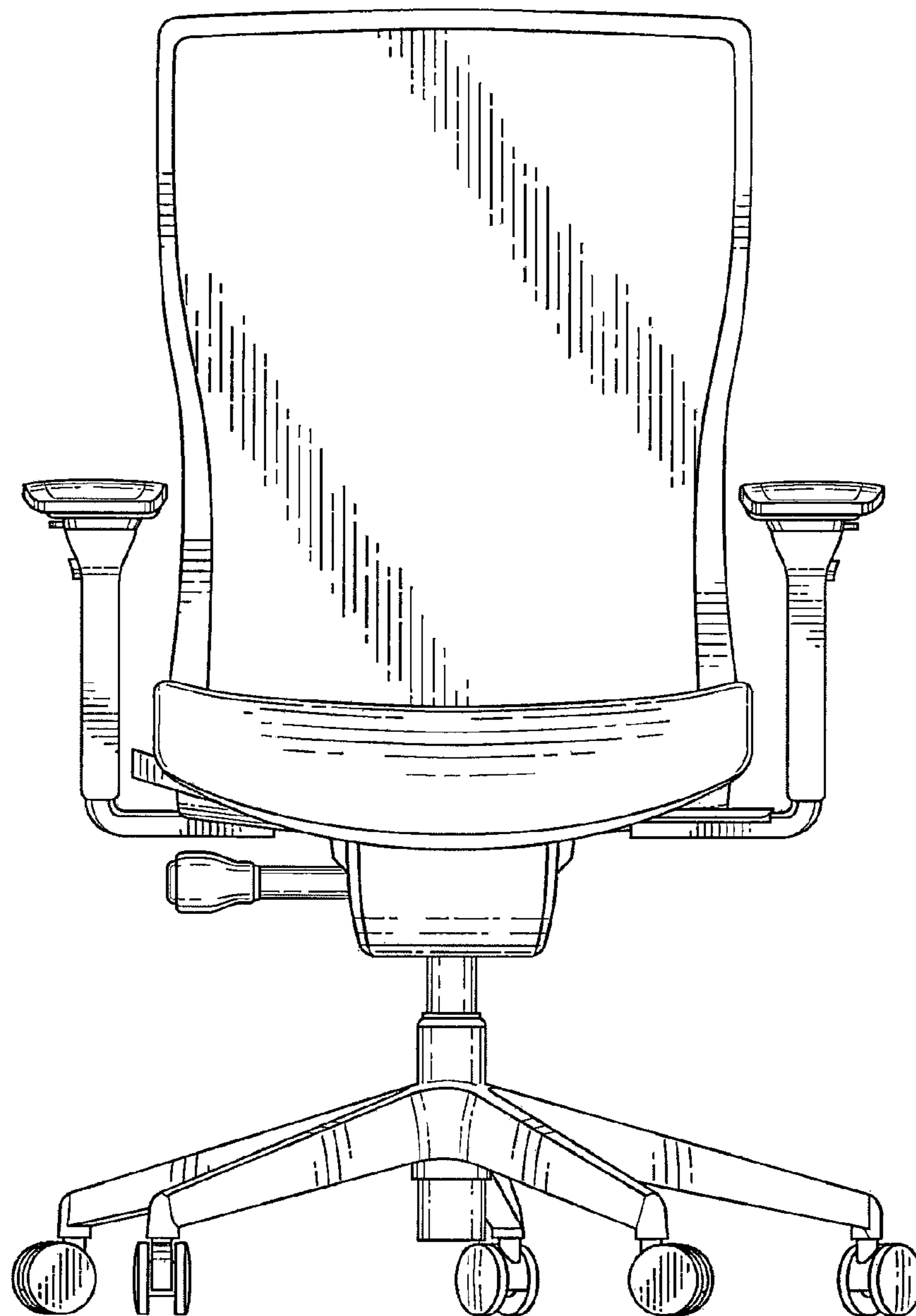


FIG. 2

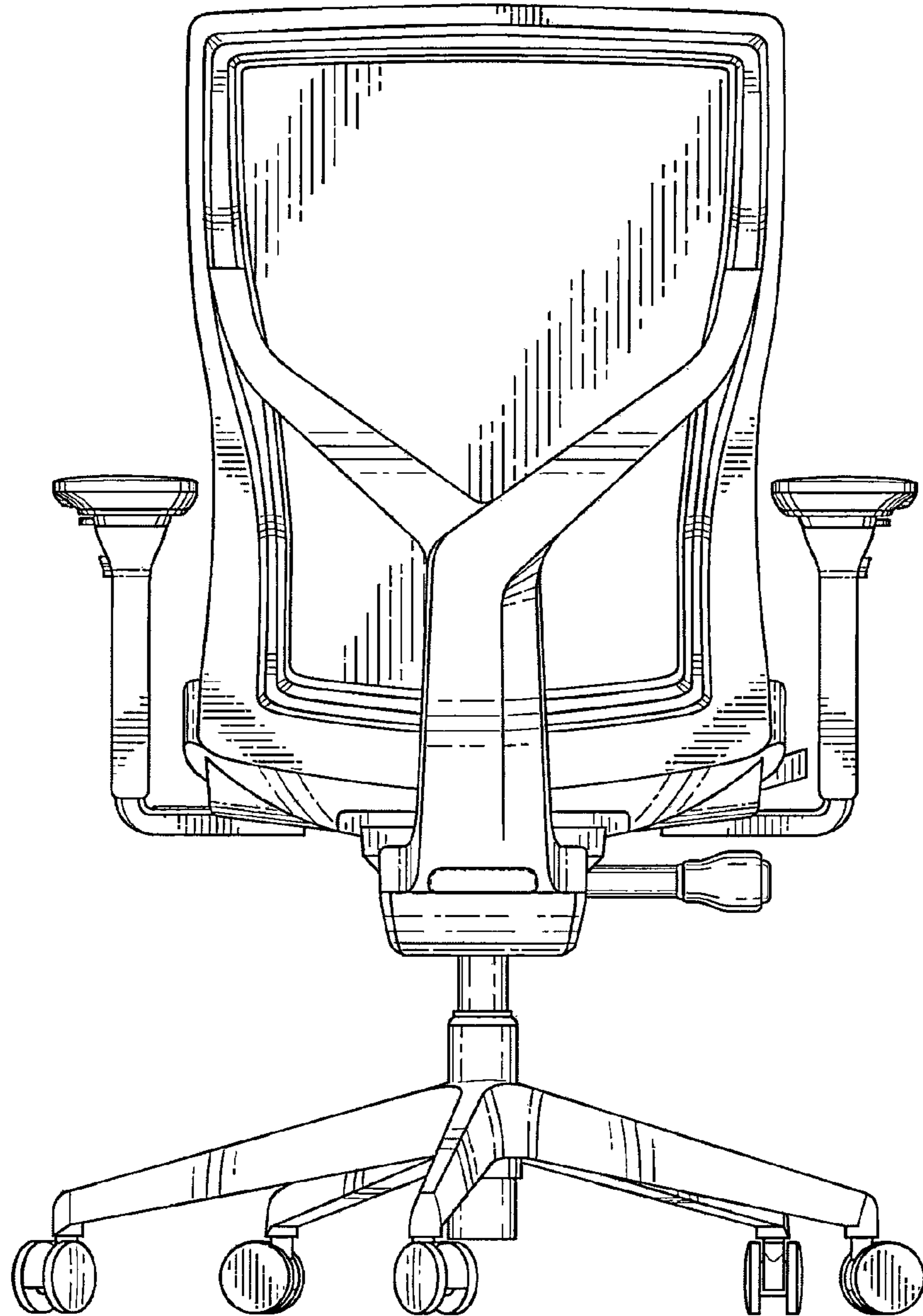


FIG. 3

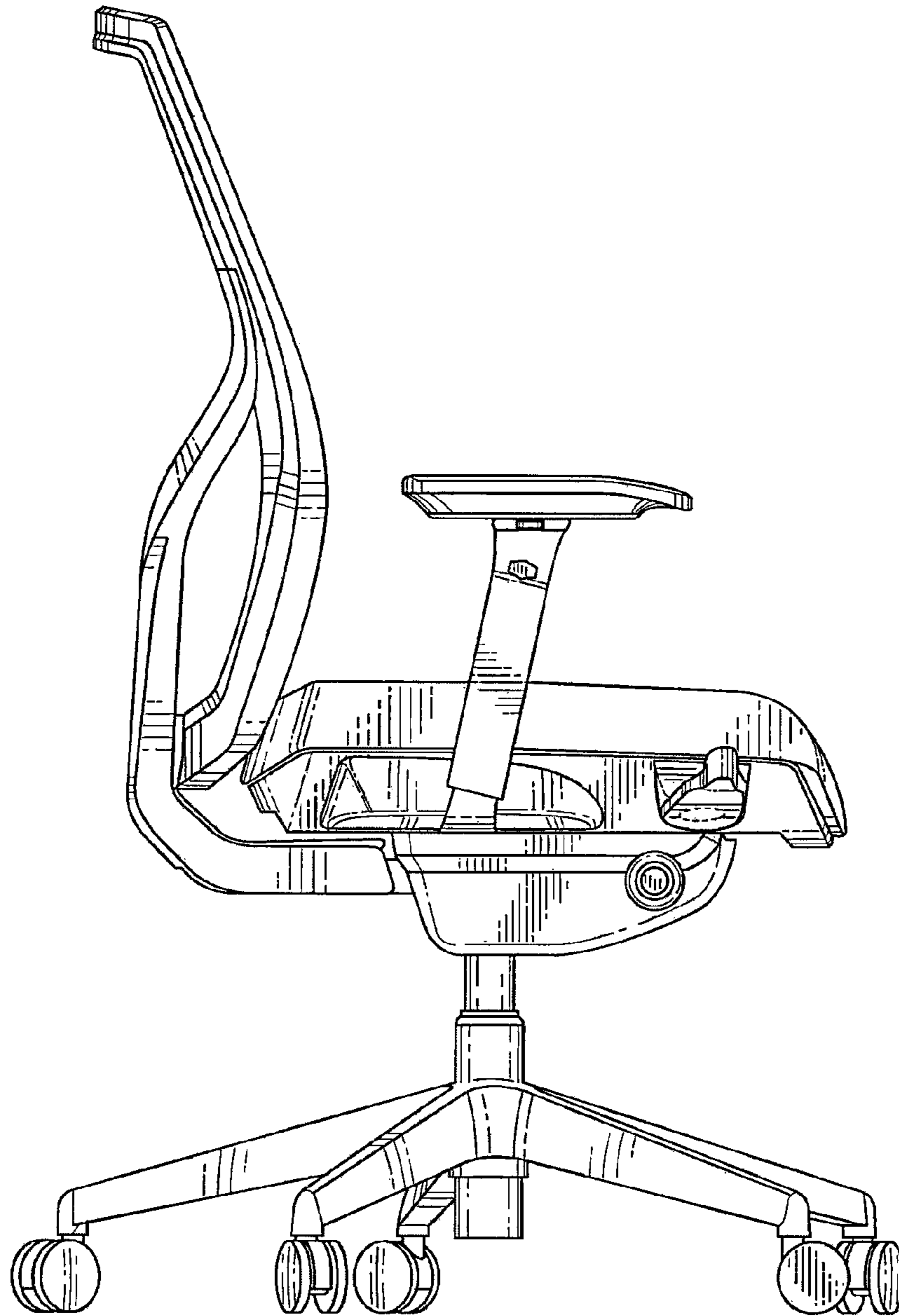


FIG. 4

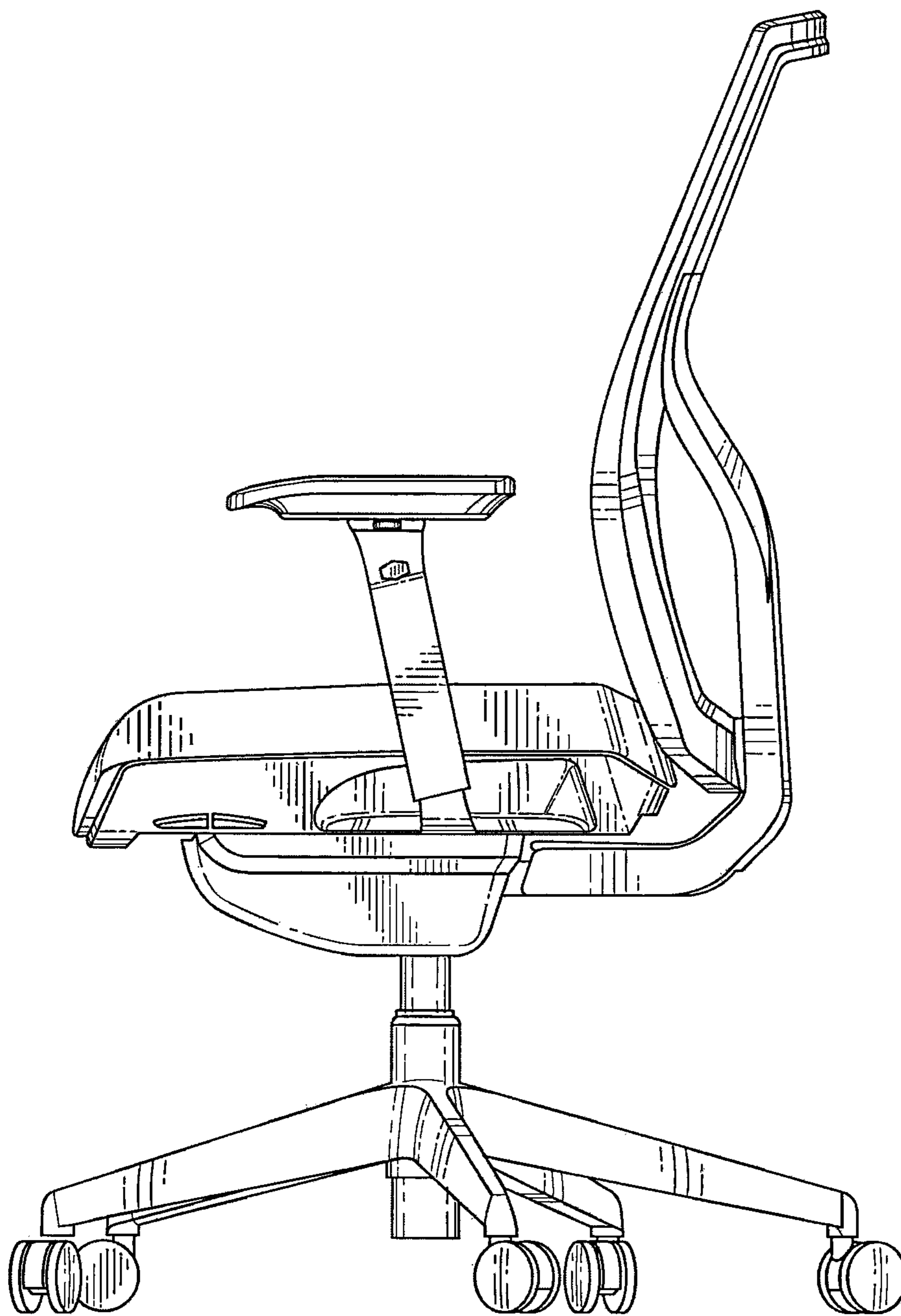


FIG. 5

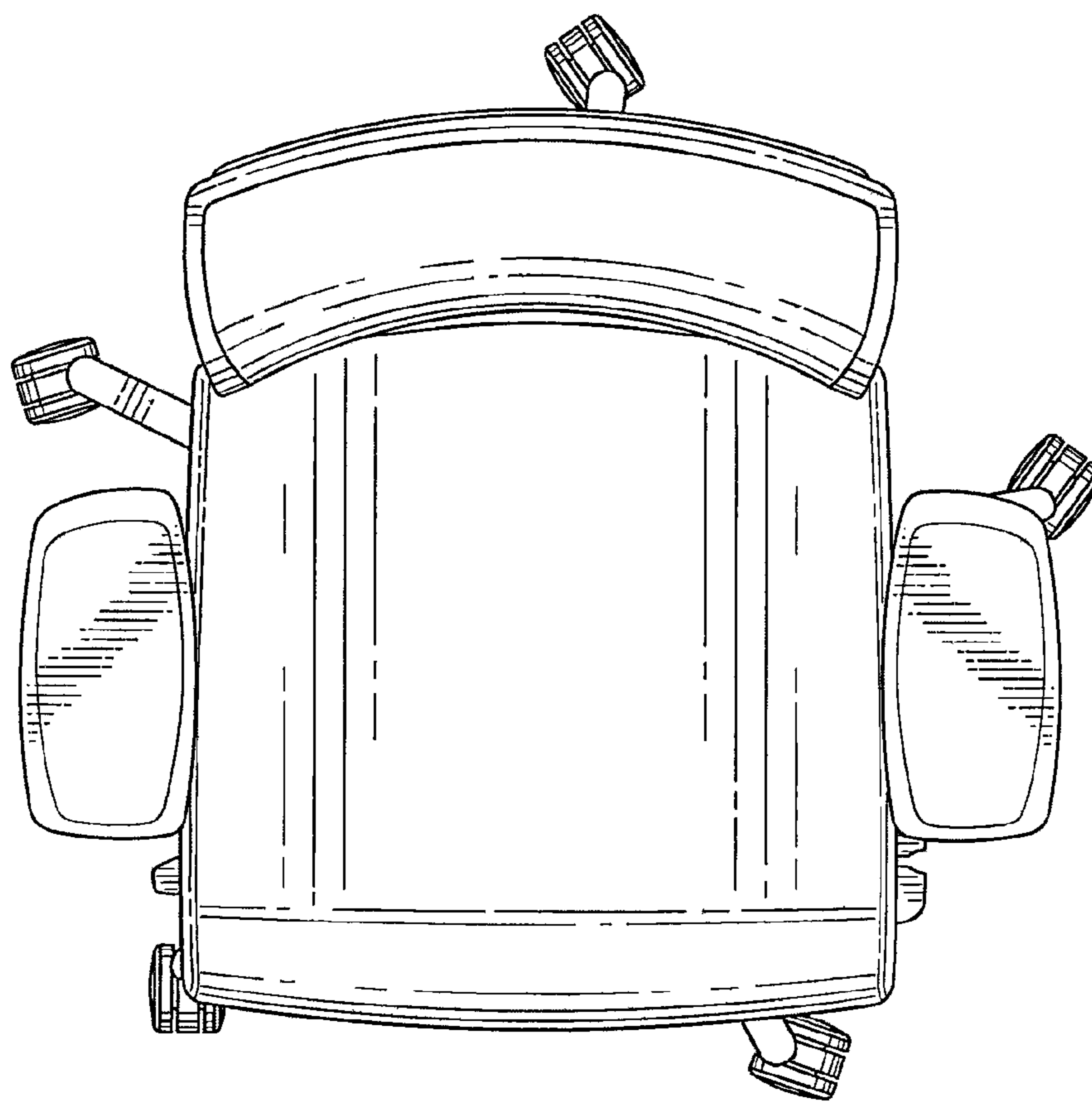


FIG. 6

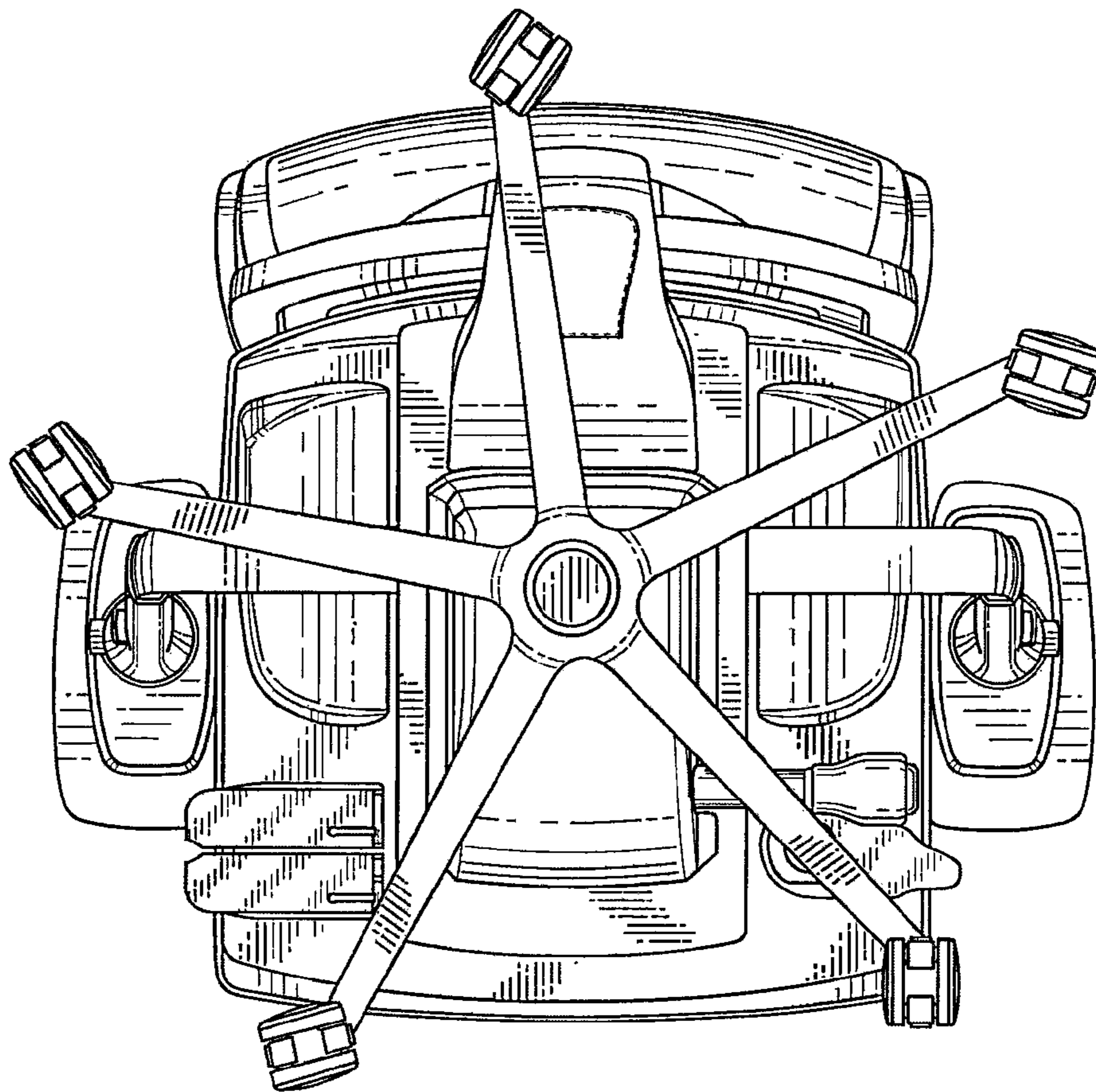


FIG. 7



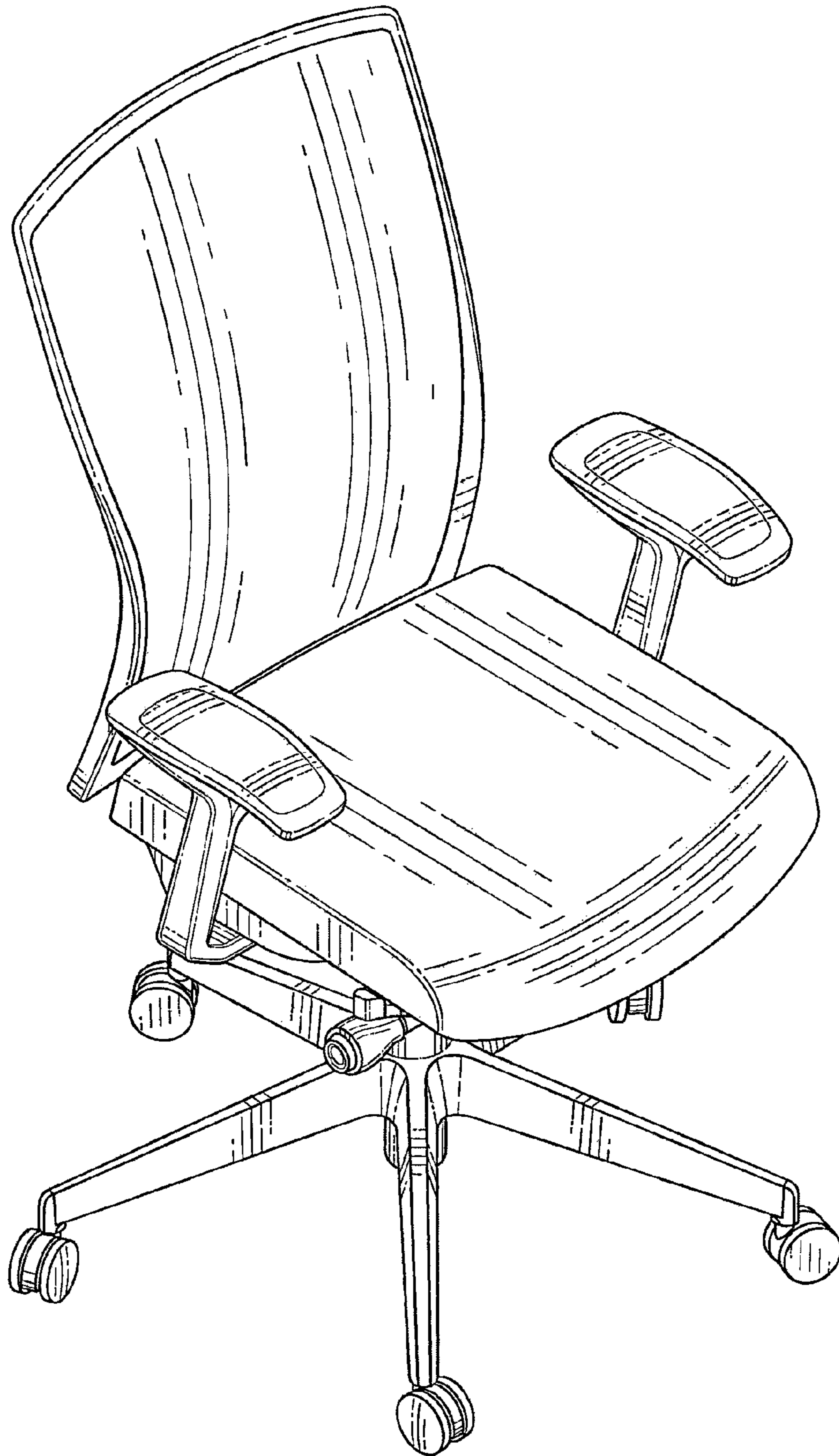


FIG. 8

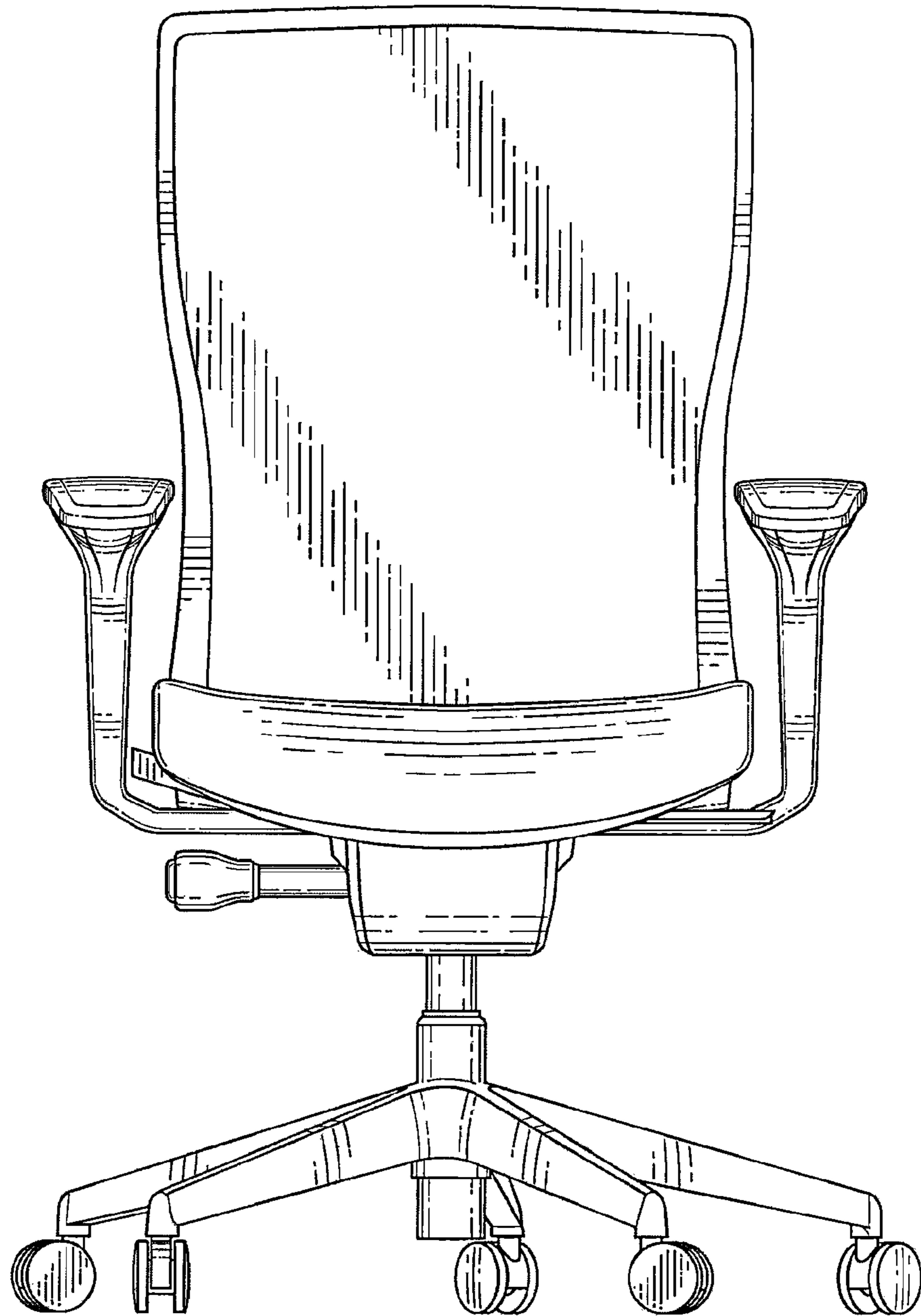


FIG. 9

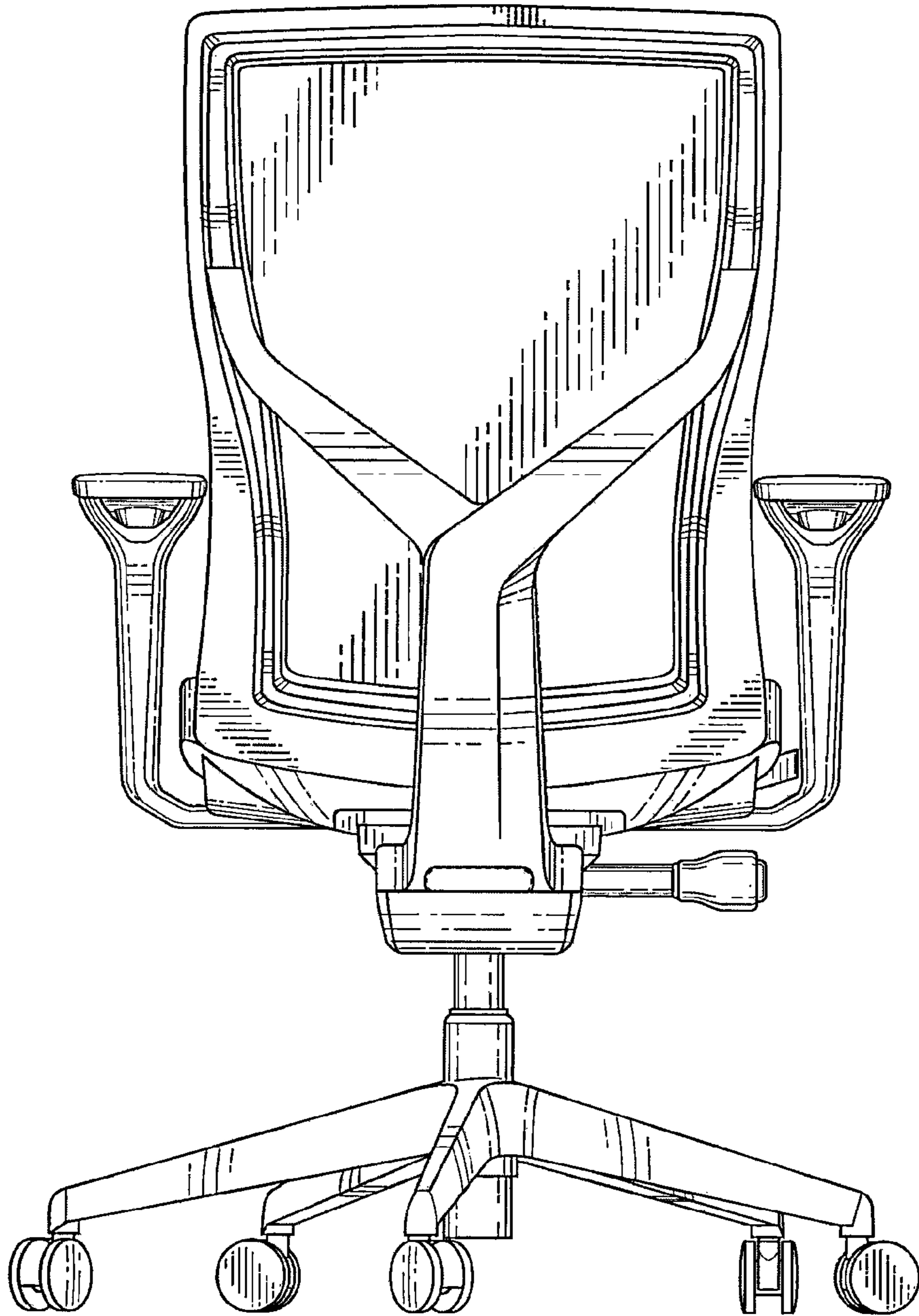


FIG. 10

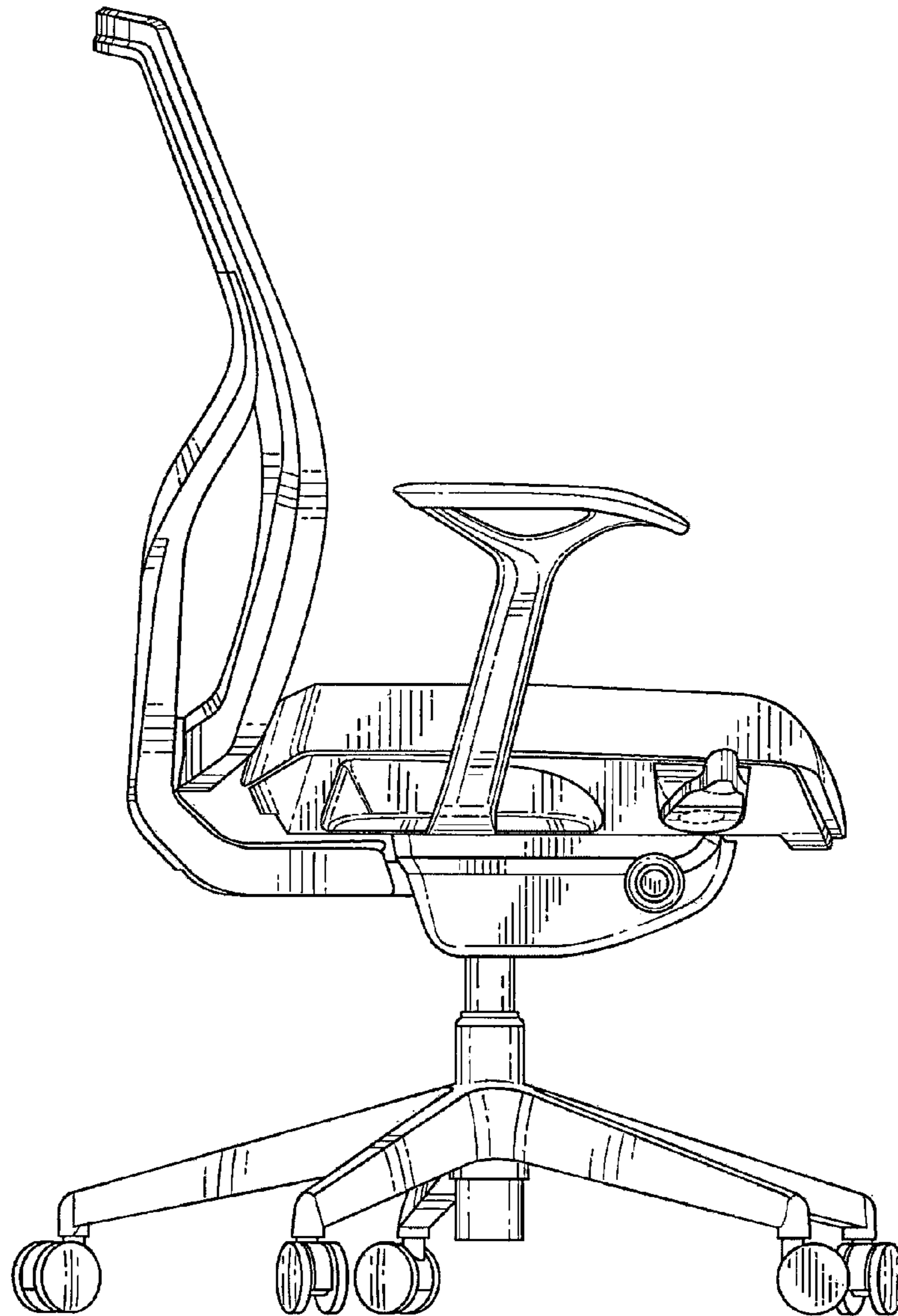


FIG. 11

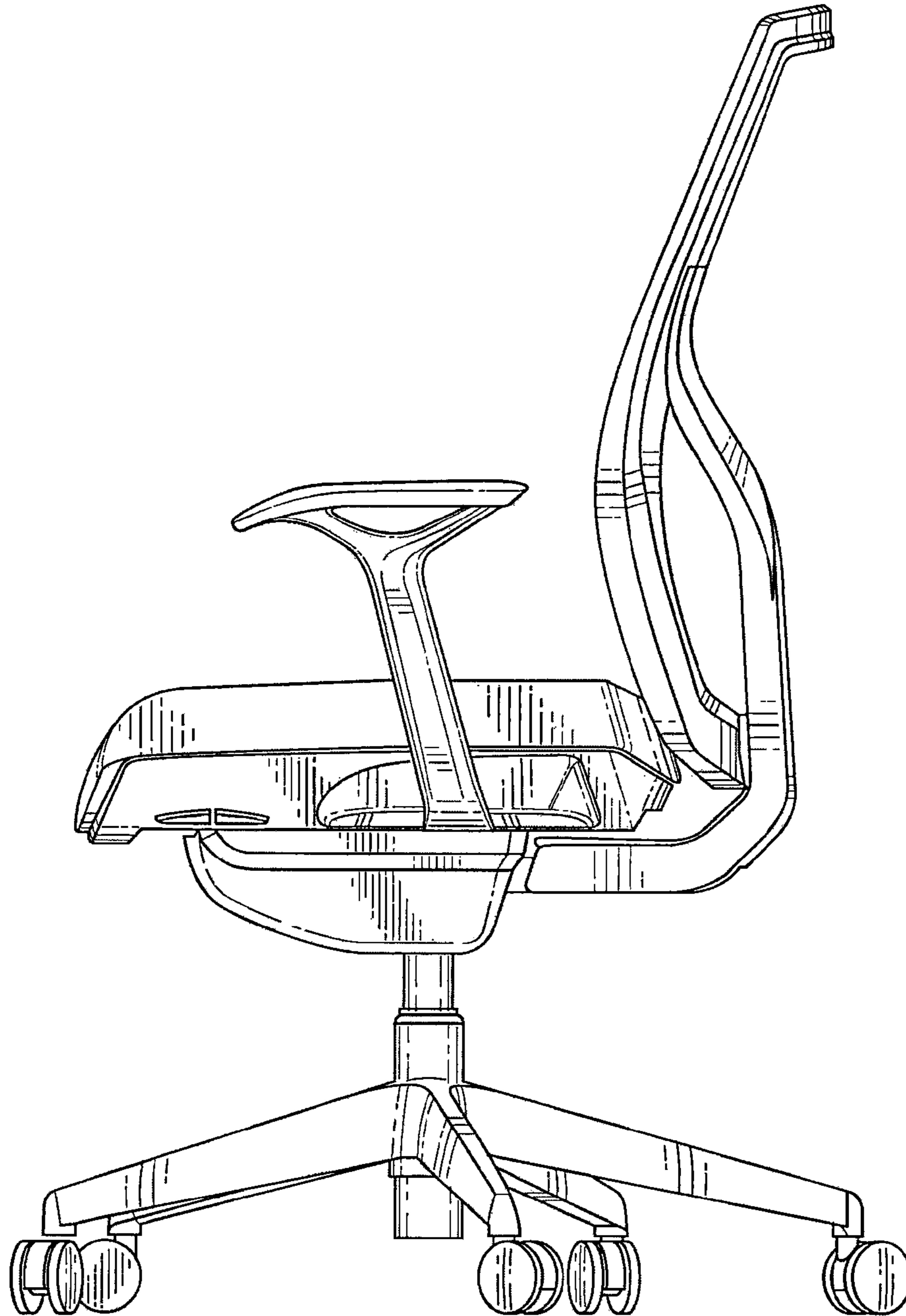


FIG. 12

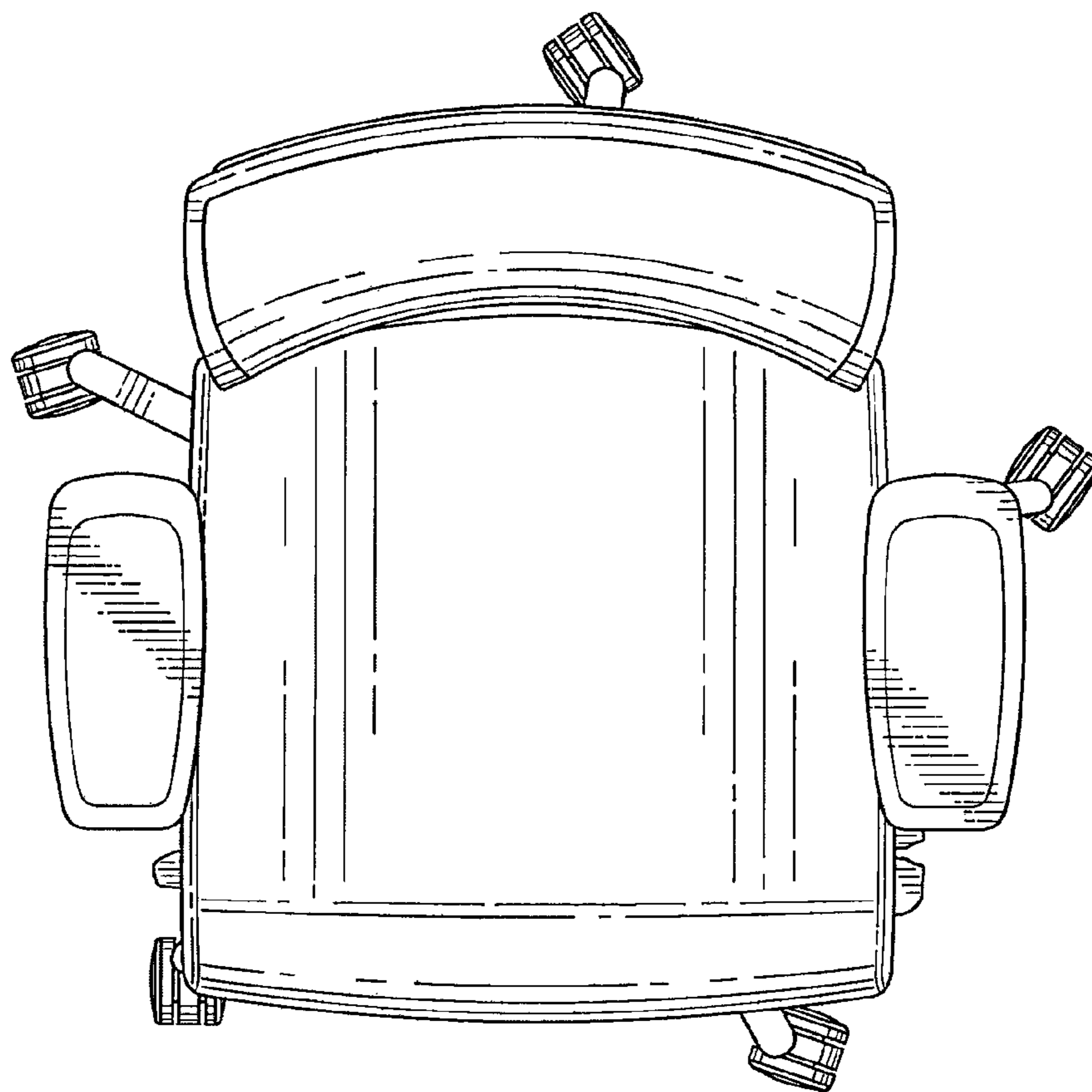


FIG. 13

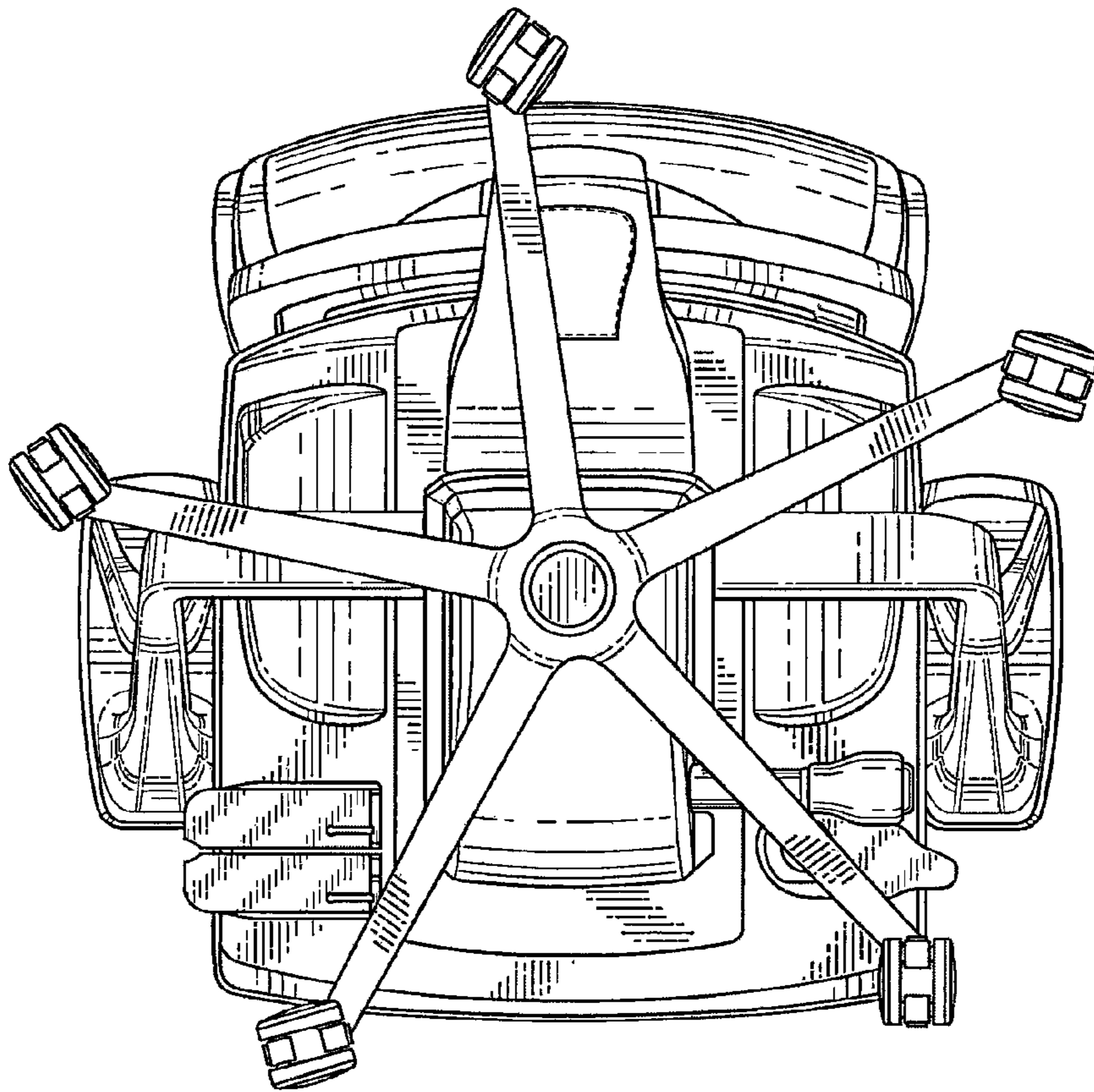


FIG. 14