



US00D688054S

(12) **United States Design Patent**
Chiu

(10) **Patent No.:** **US D688,054 S**

(45) **Date of Patent:** **** Aug. 20, 2013**

(54) **CHAIR**

(75) Inventor: **Shu-Chi Chiu**, Tortola (VG)

(73) Assignee: **Joy Continental Limited (BVI)**, Tortola (VG)

(**) Term: **14 Years**

(21) Appl. No.: **29/423,769**

(22) Filed: **Jun. 5, 2012**

(51) **LOC (9) Cl.** **06-01**

(52) **U.S. Cl.**
USPC **D6/361**

(58) **Field of Classification Search**
USPC D6/334-336, 349, 355, 361, 371,
D6/375, 716, 716.1, 716.2, 716.3, 716.4;
D30/118, 160; 5/603, 630, 655; 297/232,
297/233, 423.1, 447.3, 448.2, 452.12, 452.17,
297/452.19

See application file for complete search history.

(56) **References Cited**

U.S. PATENT DOCUMENTS

4,027,888 A * 6/1977 Wilcox 297/452.17
D274,576 S * 7/1984 Tiffany D6/335

D278,004 S * 3/1985 Sigona D6/361
D361,905 S * 9/1995 Adams et al. D6/375
D453,980 S * 2/2002 Shoemaker et al. D30/160
D530,933 S * 10/2006 Vitaro D6/361
D550,974 S * 9/2007 Thornbury D6/361
D582,611 S * 12/2008 Bise D30/118
D608,102 S * 1/2010 Kemm D6/361
D627,111 S * 11/2010 Seliskar D30/160
D643,638 S * 8/2011 Weichselbaumer D6/361
D645,269 S * 9/2011 Vitale D6/361
D651,770 S * 1/2012 Seliskar et al. D30/160

* cited by examiner

Primary Examiner — Mimosa De

(74) *Attorney, Agent, or Firm* — Chun-Ming Shih

(57) **CLAIM**

The ornamental design for a chair, as shown and described.

DESCRIPTION

FIG. 1 is a perspective view of a chair showing my new design;

FIG. 2 is a front view thereof;

FIG. 3 is a rear view thereof;

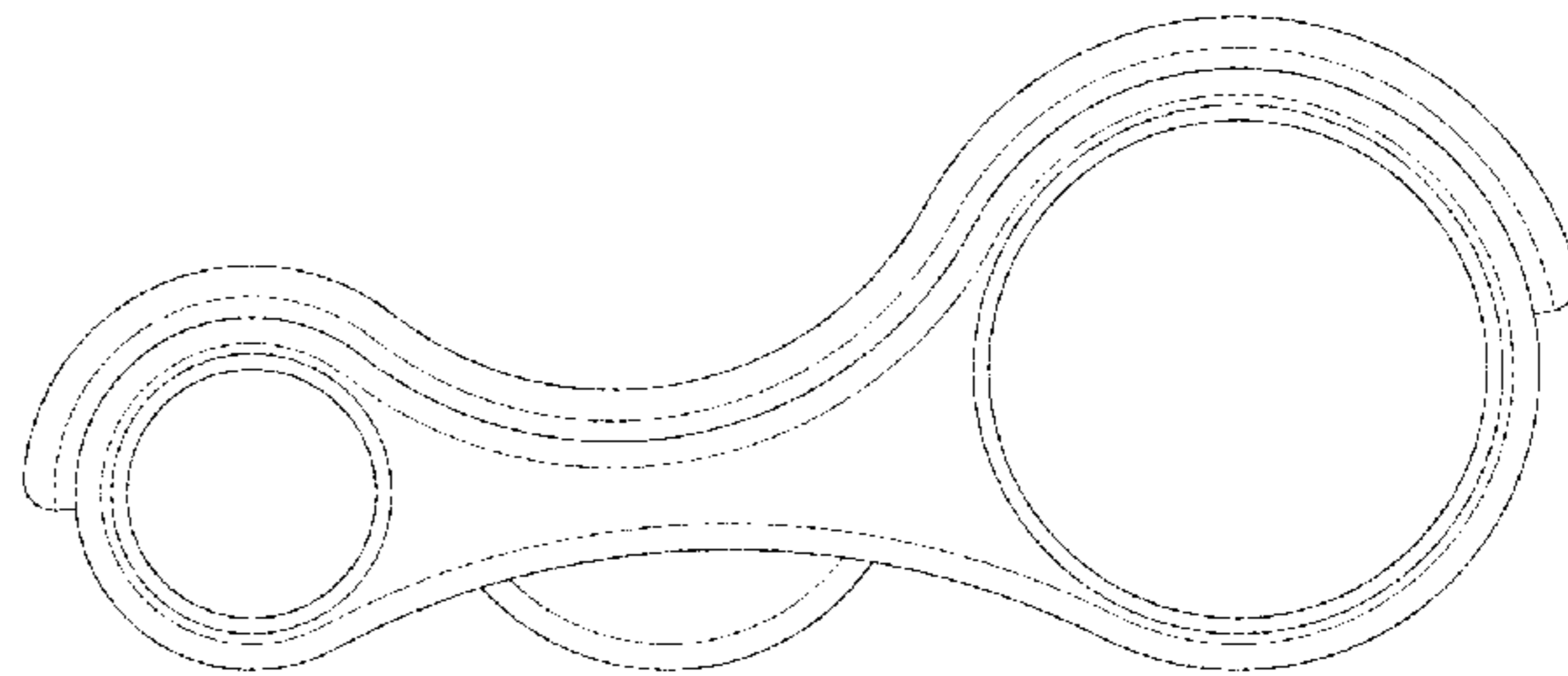
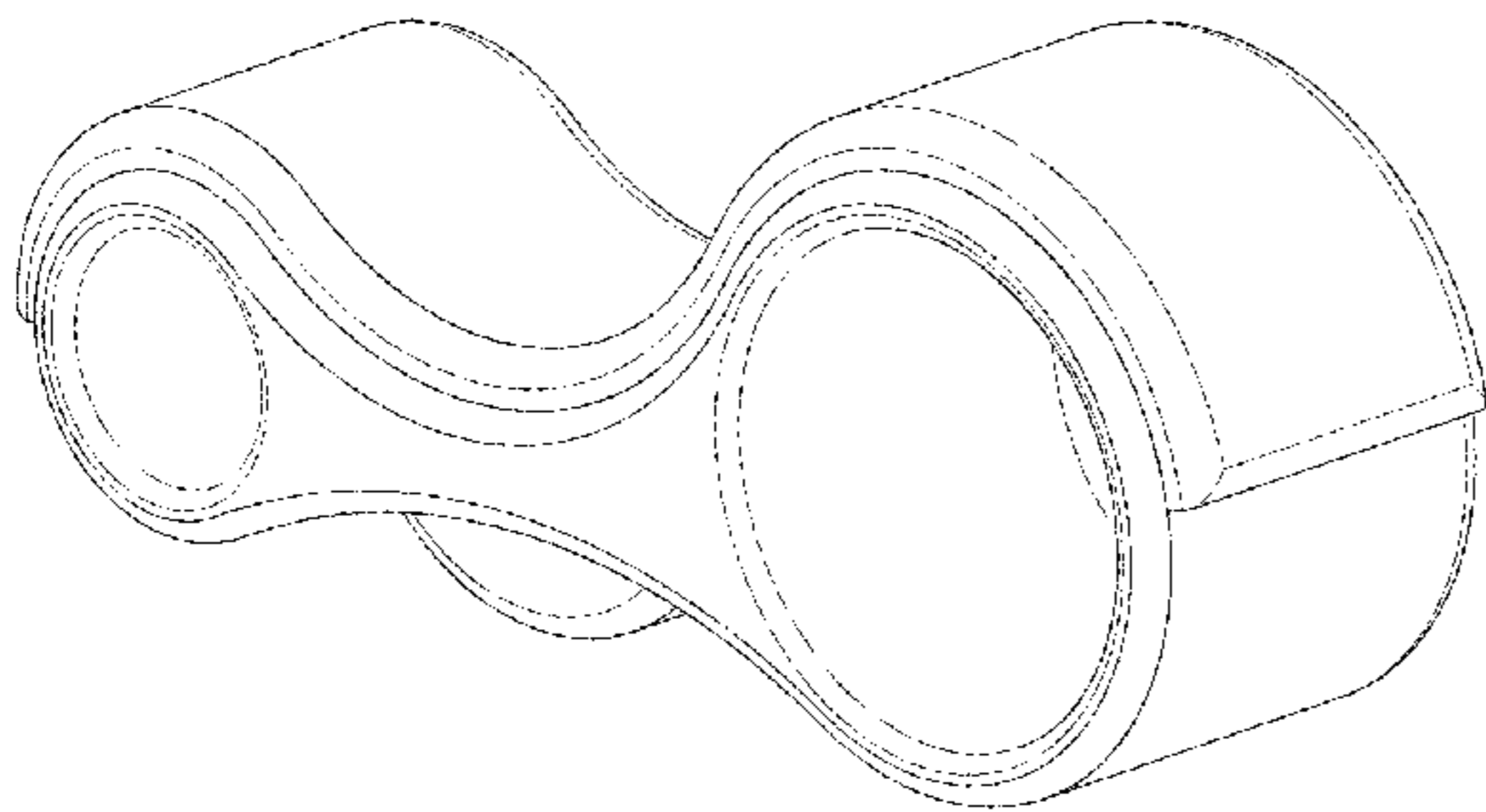
FIG. 4 is a left side view thereof;

FIG. 5 is a right side view thereof;

FIG. 6 is a top view thereof; and,

FIG. 7 is a bottom view thereof.

1 Claim, 7 Drawing Sheets



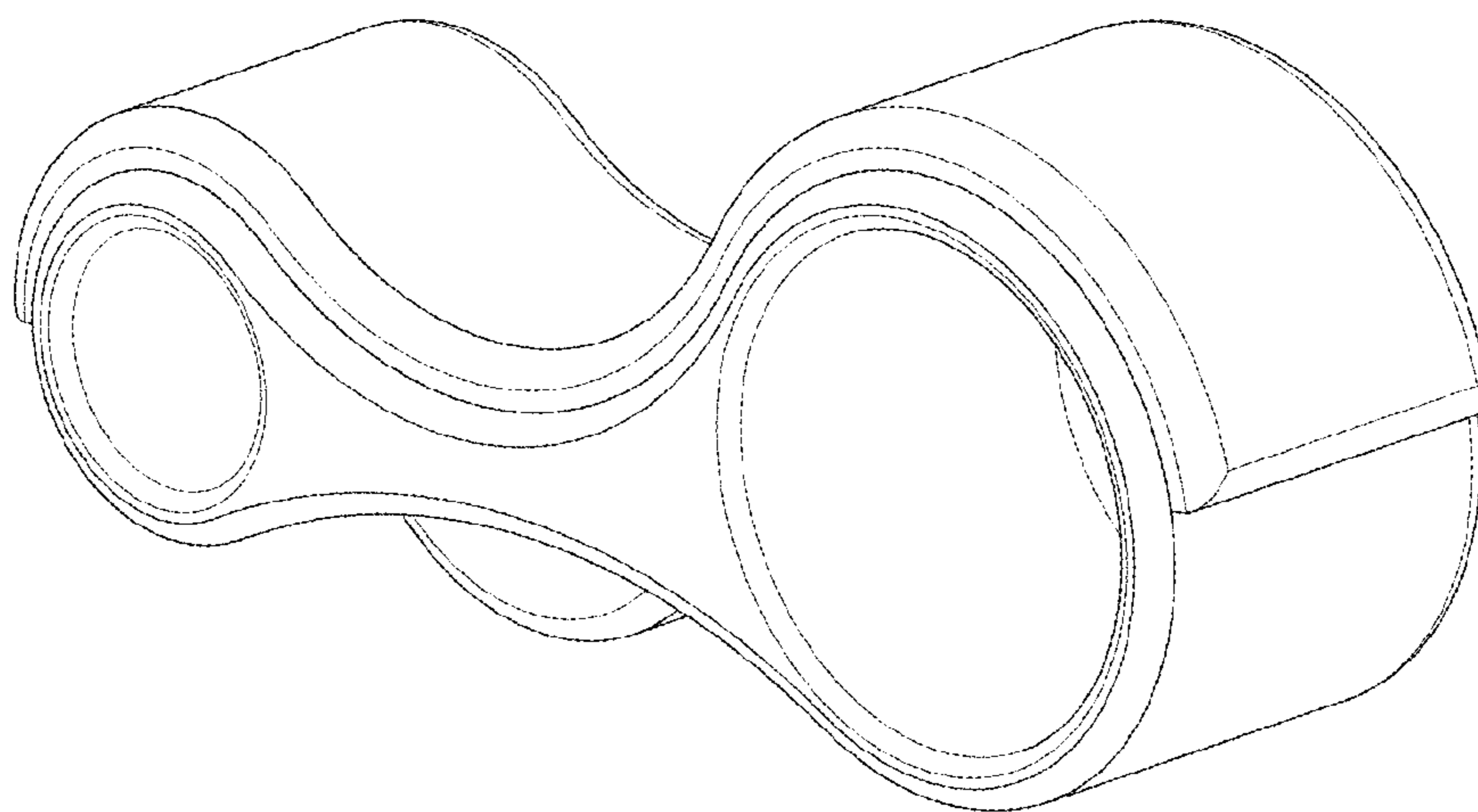


Fig.1

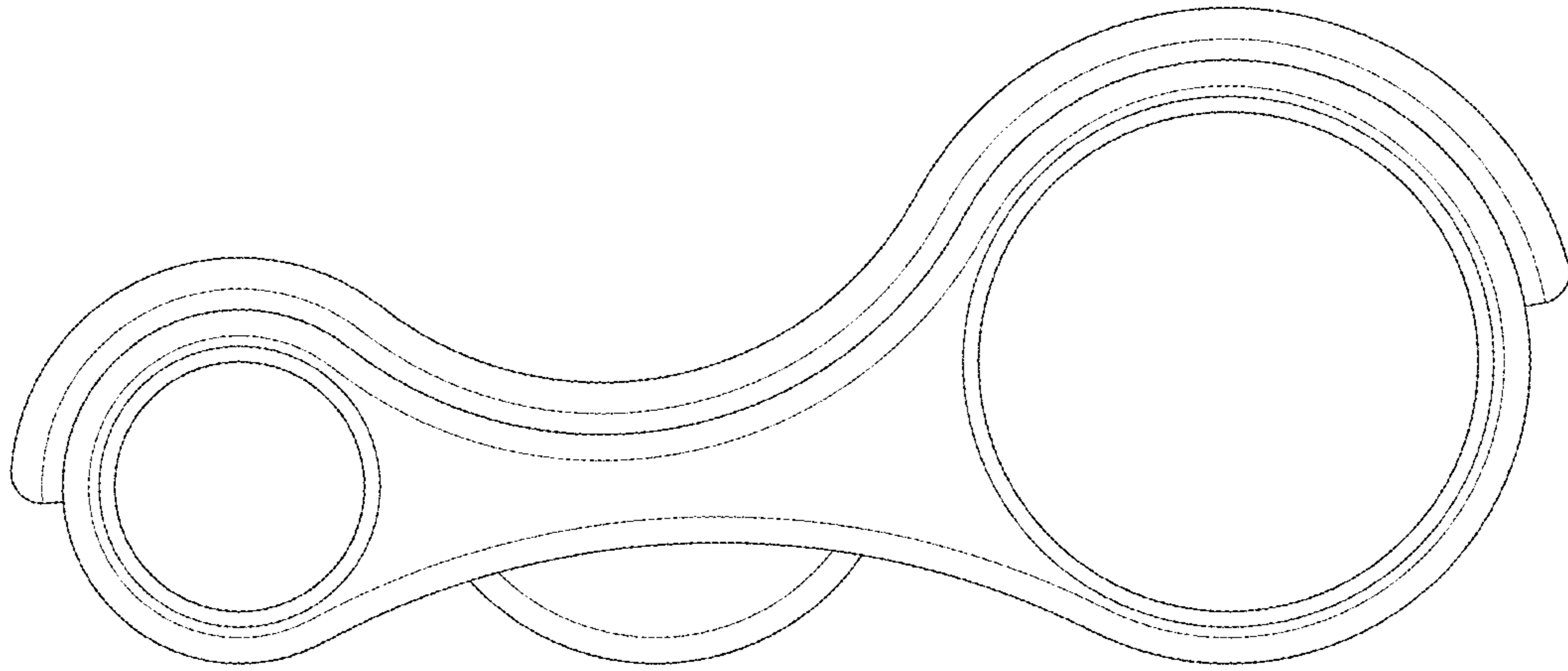


Fig.2

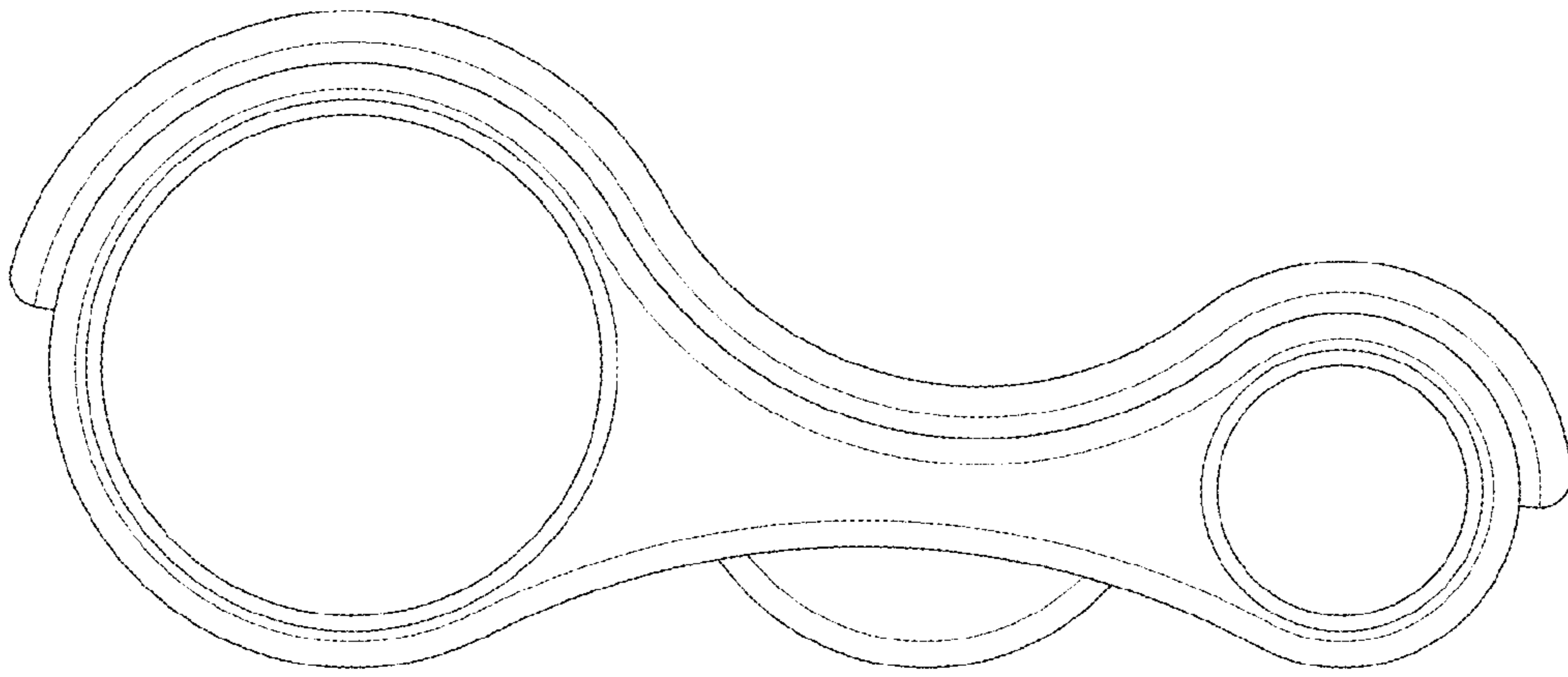


Fig.3

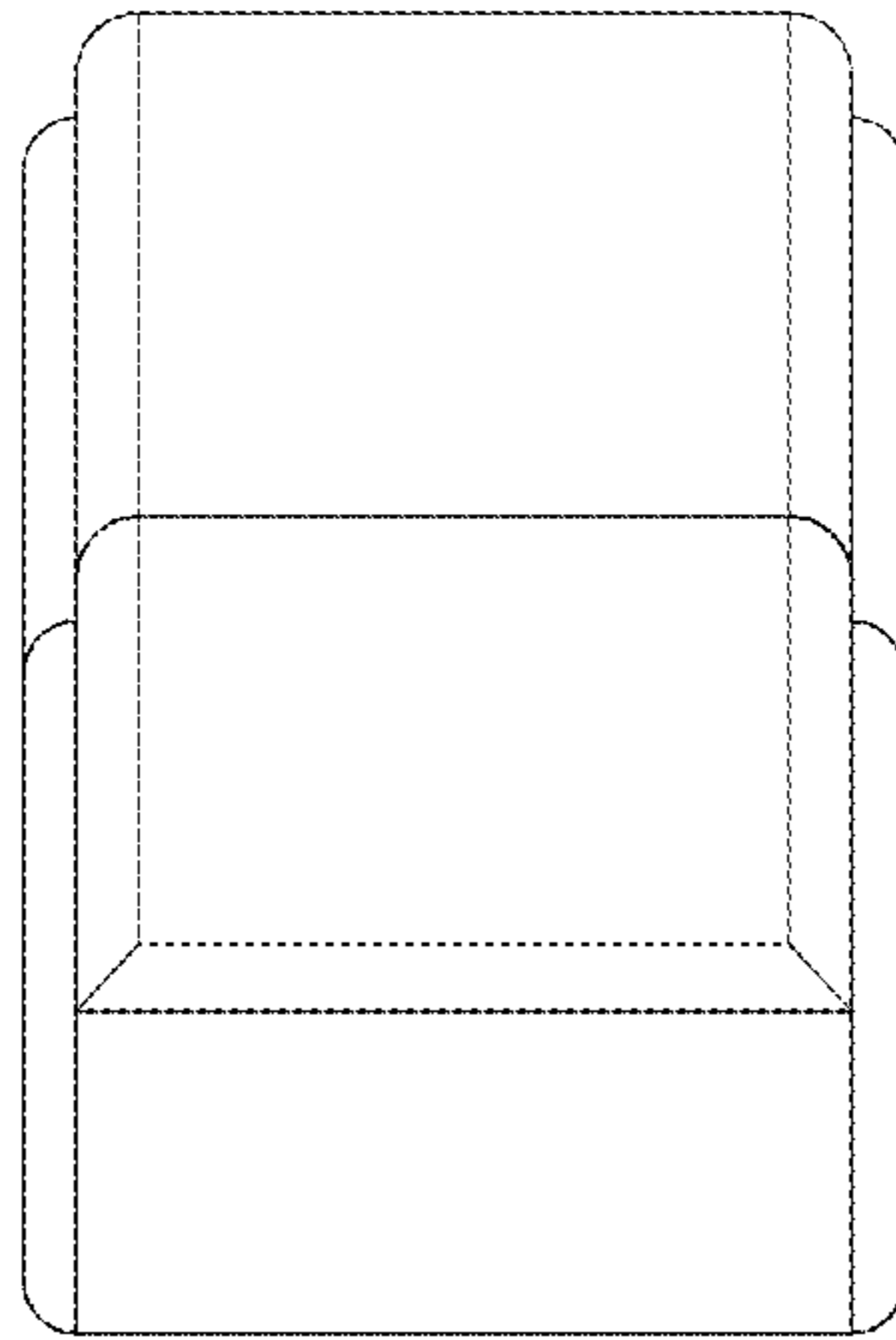


Fig.4

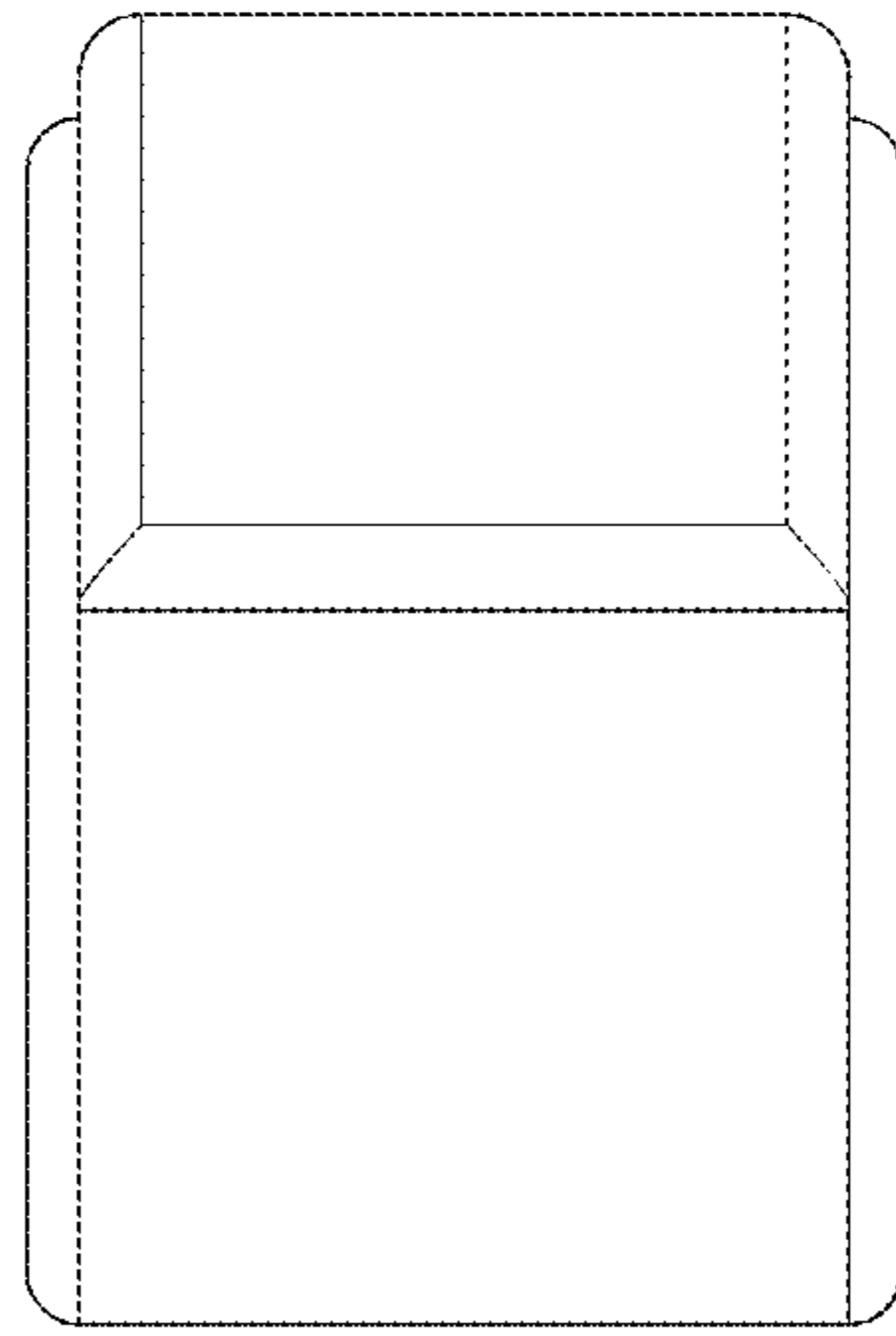


Fig.5

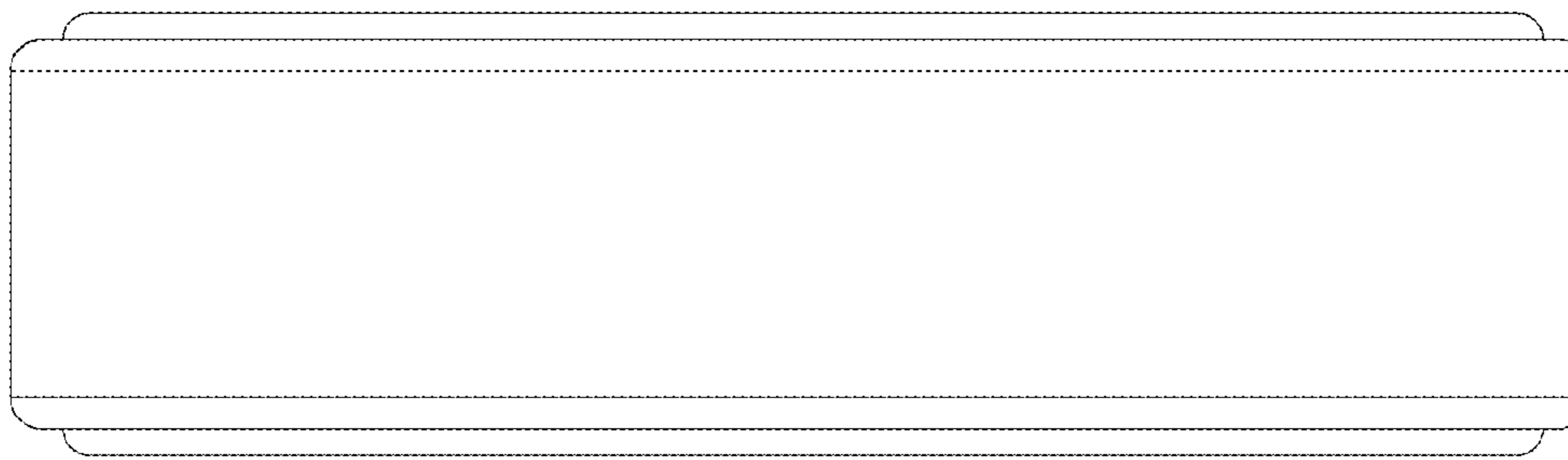


Fig.6

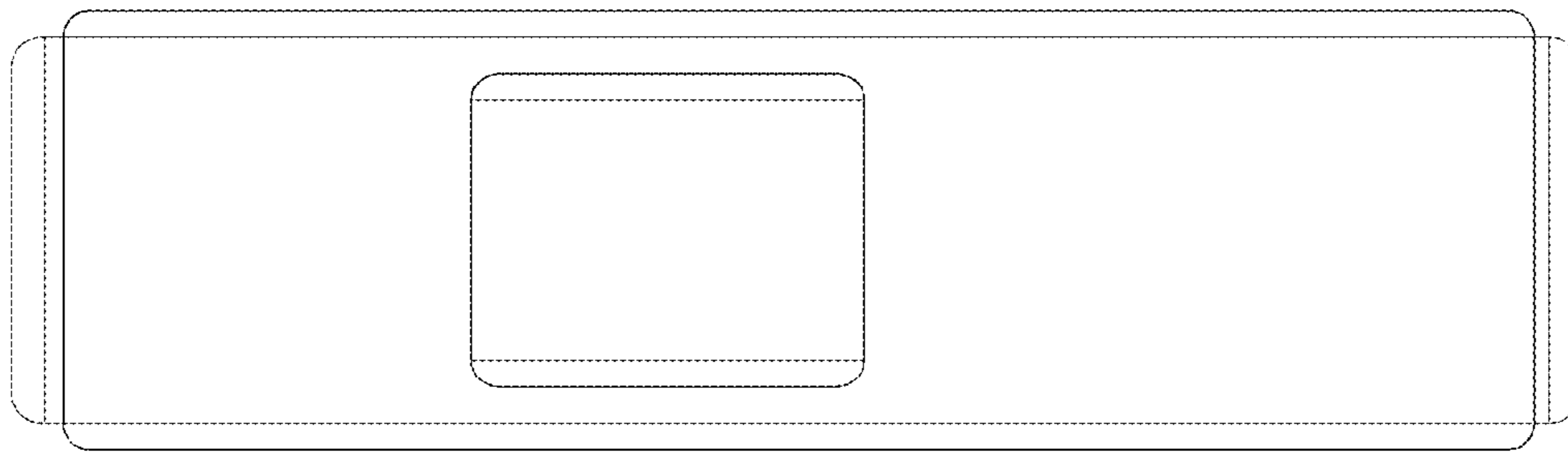


Fig.7