



US00D688050S

(12) **United States Design Patent**
Gologorsky

(10) **Patent No.:** **US D688,050 S**

(45) **Date of Patent:** **** Aug. 20, 2013**

(54) **COMBINED OTTOMAN AND TABLE**

D612,162 S * 3/2010 Kapasi D6/349
D651,367 S * 12/2011 Seliskar et al. D30/160
D669,695 S * 10/2012 McCurry D6/349

(75) Inventor: **Justin Gologorsky**, Myrtle Beach, SC
(US)

(73) Assignee: **Justin Gologorsky**, Myrtle Beach, SC
(US)

(**) Term: **14 Years**

(21) Appl. No.: **29/373,162**

(22) Filed: **Mar. 10, 2011**

(51) **LOC (9) Cl.** **06-01**

(52) **U.S. Cl.**
USPC **D6/349**

(58) **Field of Classification Search**
USPC D6/335, 340, 344, 349-355, 495,
D6/500-502; 297/16.1, 175, 187, 195.1,
297/423.1, 423.11, 423.14, 423.16, 461,
297/462

See application file for complete search history.

(56) **References Cited**

U.S. PATENT DOCUMENTS

D228,095 S * 8/1973 Schmitt D6/335
D255,959 S * 7/1980 Mitchell D6/335
D257,548 S * 11/1980 Ungaro D6/484
D274,676 S * 7/1984 Massonnet D6/349
D280,576 S * 9/1985 Palmer D6/344
D497,727 S * 11/2004 Monsalve et al. D6/355
D518,301 S * 4/2006 Ng et al. D6/335
D564,244 S * 3/2008 Ikaheimo D6/349
D586,574 S * 2/2009 Gomree D6/350

OTHER PUBLICATIONS

Tilt by GO.LO.GOR.SKY.STUDIO. [online] Retrieved Feb. 13, 2013 from URL: <www.kickstarter.com/projects/678965703/furniture-launch-tilt-by-gologorskystudio>.*

* cited by examiner

Primary Examiner — Susan Bennett Hattan

Assistant Examiner — Vy Koenig

(57) **CLAIM**

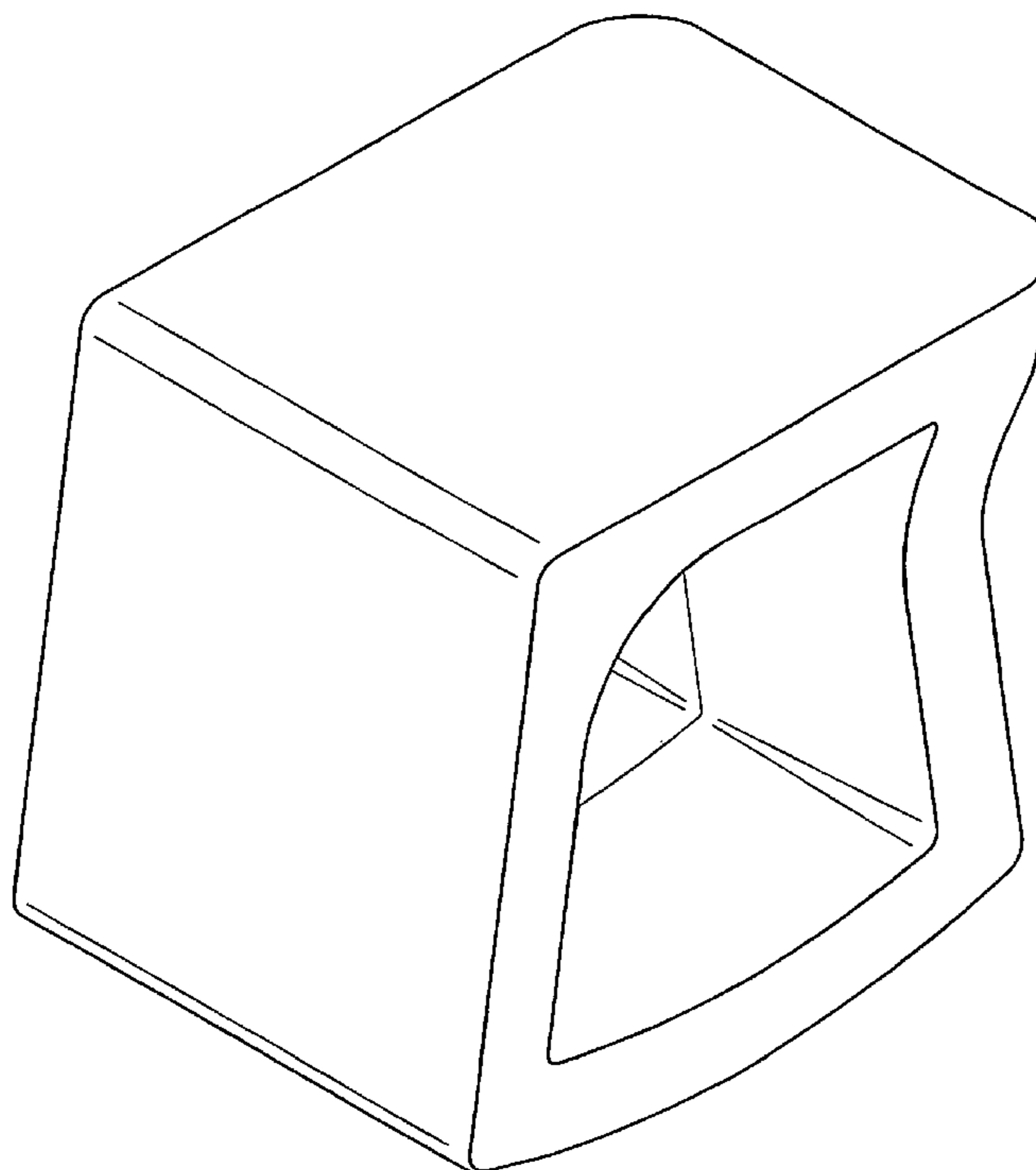
The ornamental design for a combined ottoman and table, as shown and described.

DESCRIPTION

FIG. 1 is a right side elevational view showing my new design for a combined ottoman and table, with the left side elevational view being a mirror image thereof;;
FIG. 2 is a front elevational view thereof;
FIG. 3 is a rear elevational view thereof;
FIG. 4 is a top plan view thereof;
FIG. 5 is a bottom plan view thereof;
FIG. 6 is a axonometric view thereof; and,
FIG. 7 is cross-section view thereof, taken in the direction of line 7-7 shown in FIG. 1.

Combined ottoman and table is an ottoman/stool that gently rocks when one sits. Combined ottoman and table can also be flipped 90 degrees to be a side table or a stationary seat.

1 Claim, 7 Drawing Sheets



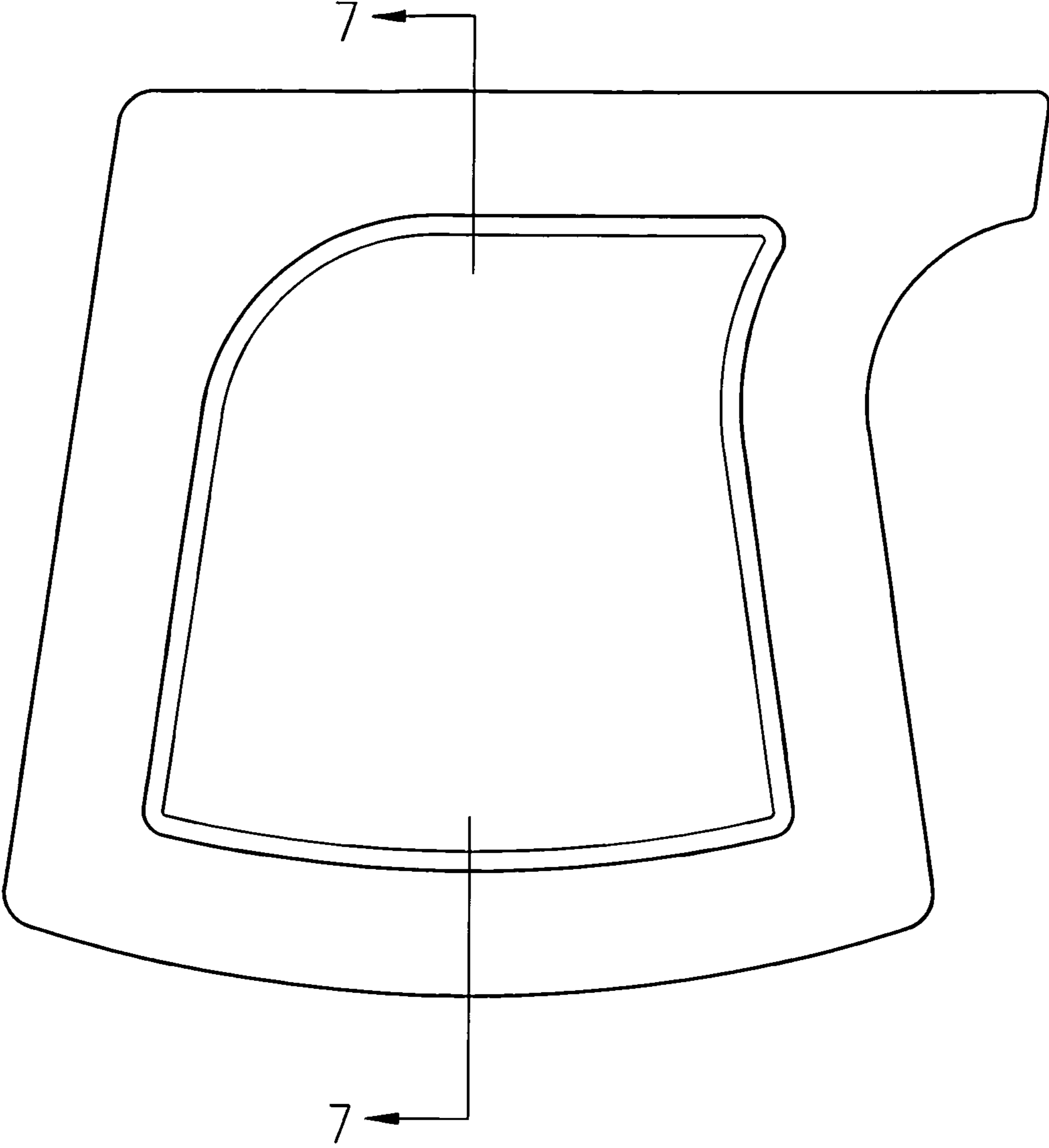


figure 1

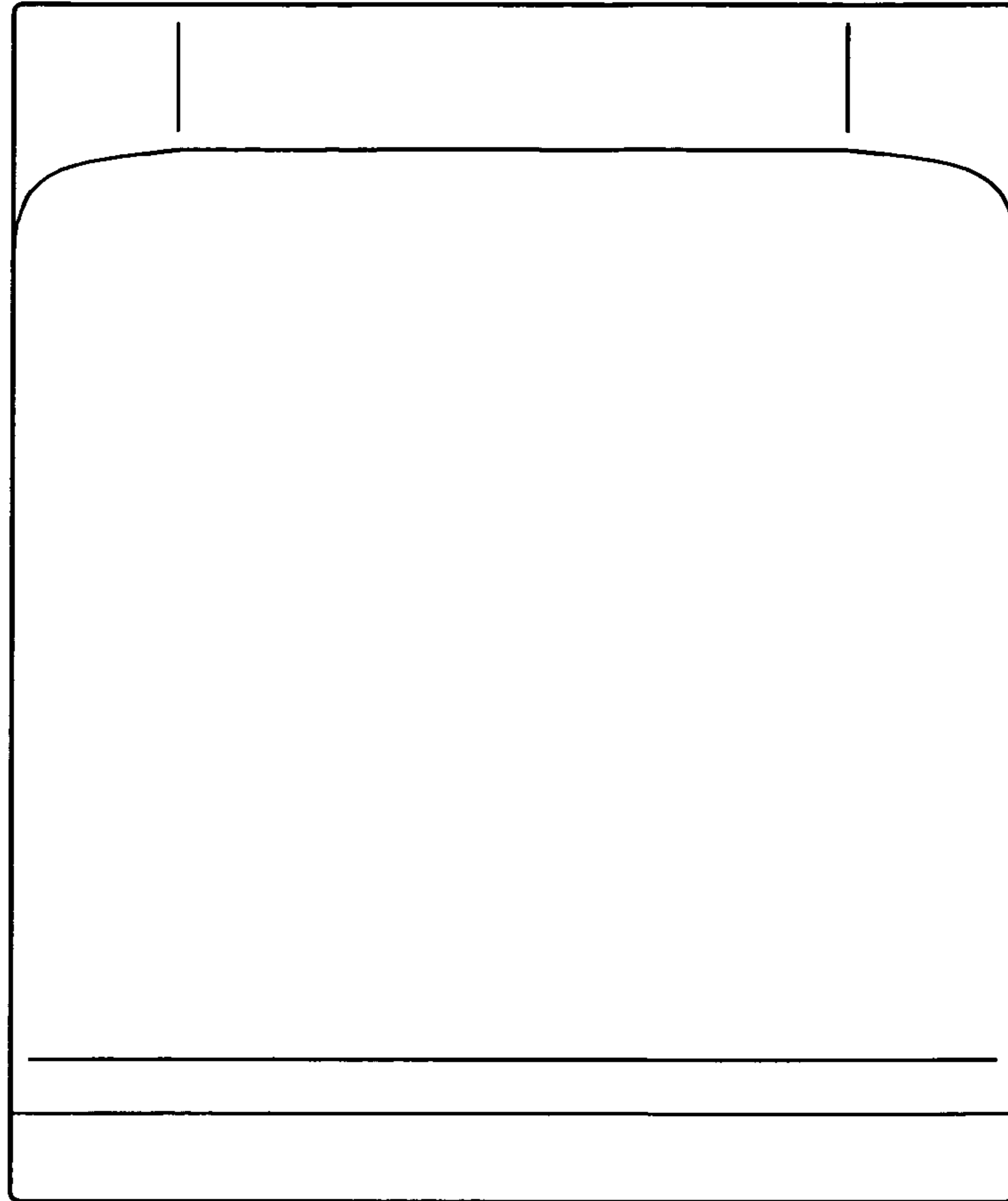


figure 2

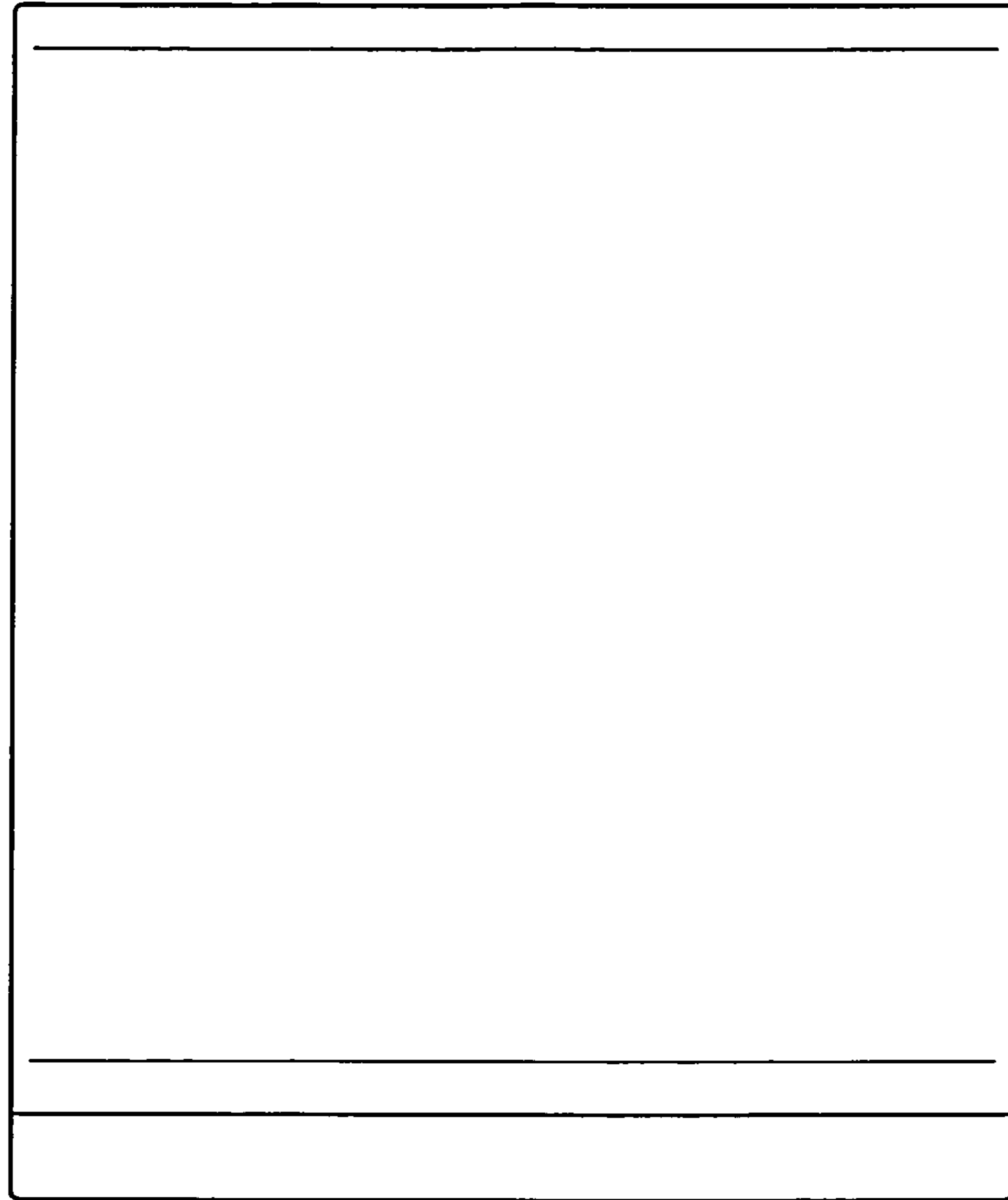


figure 3

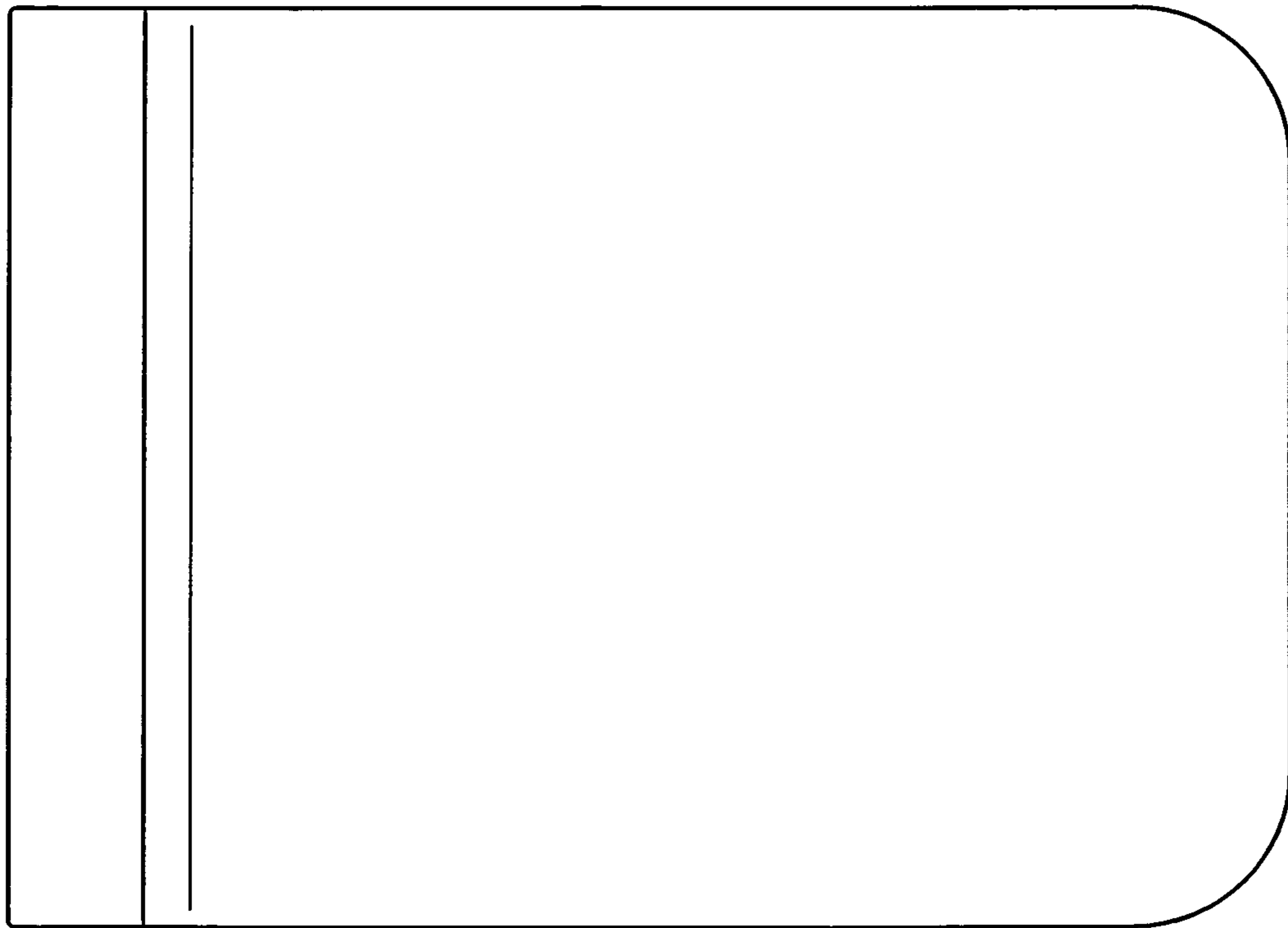


figure 4

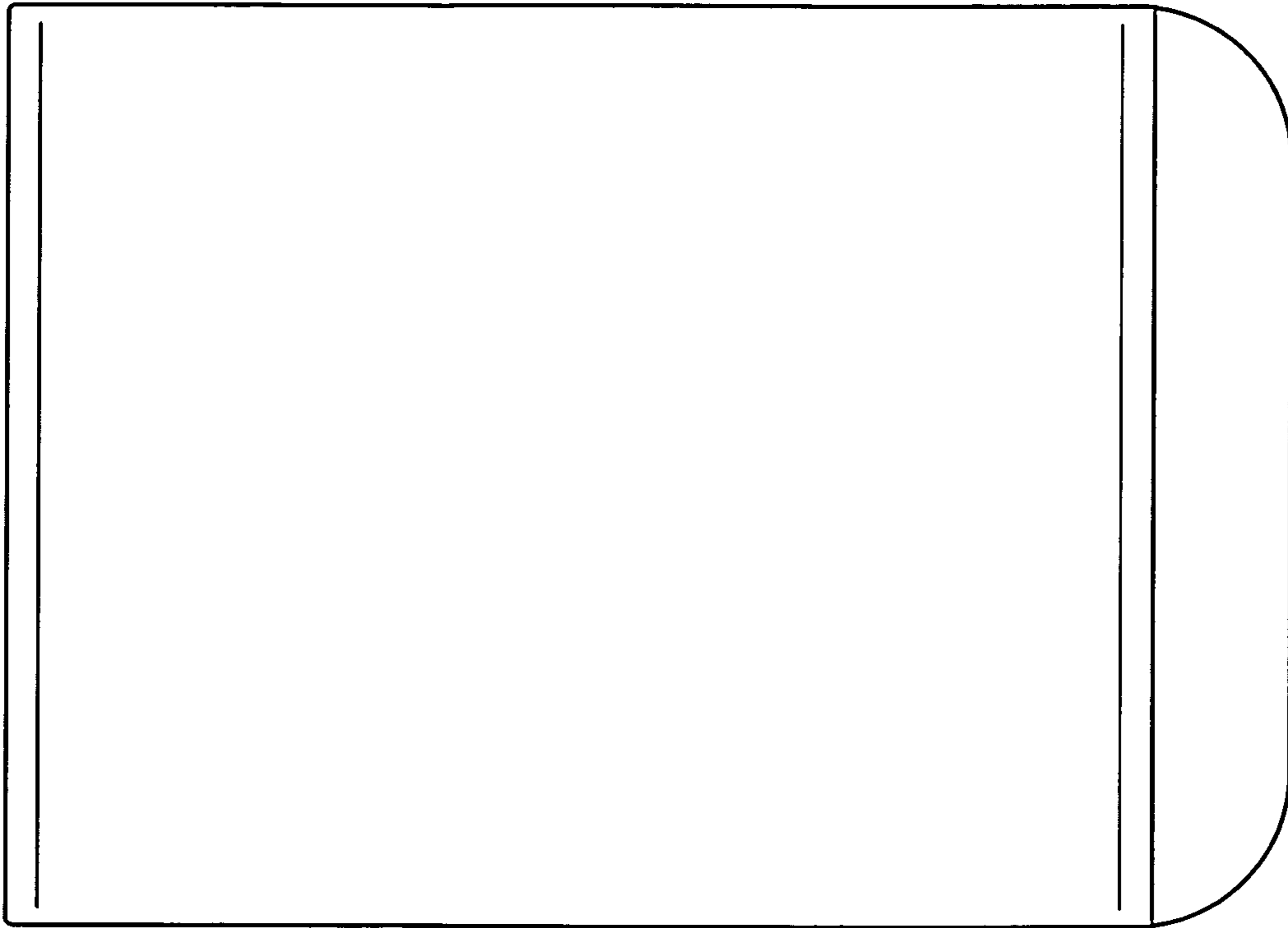


figure 5

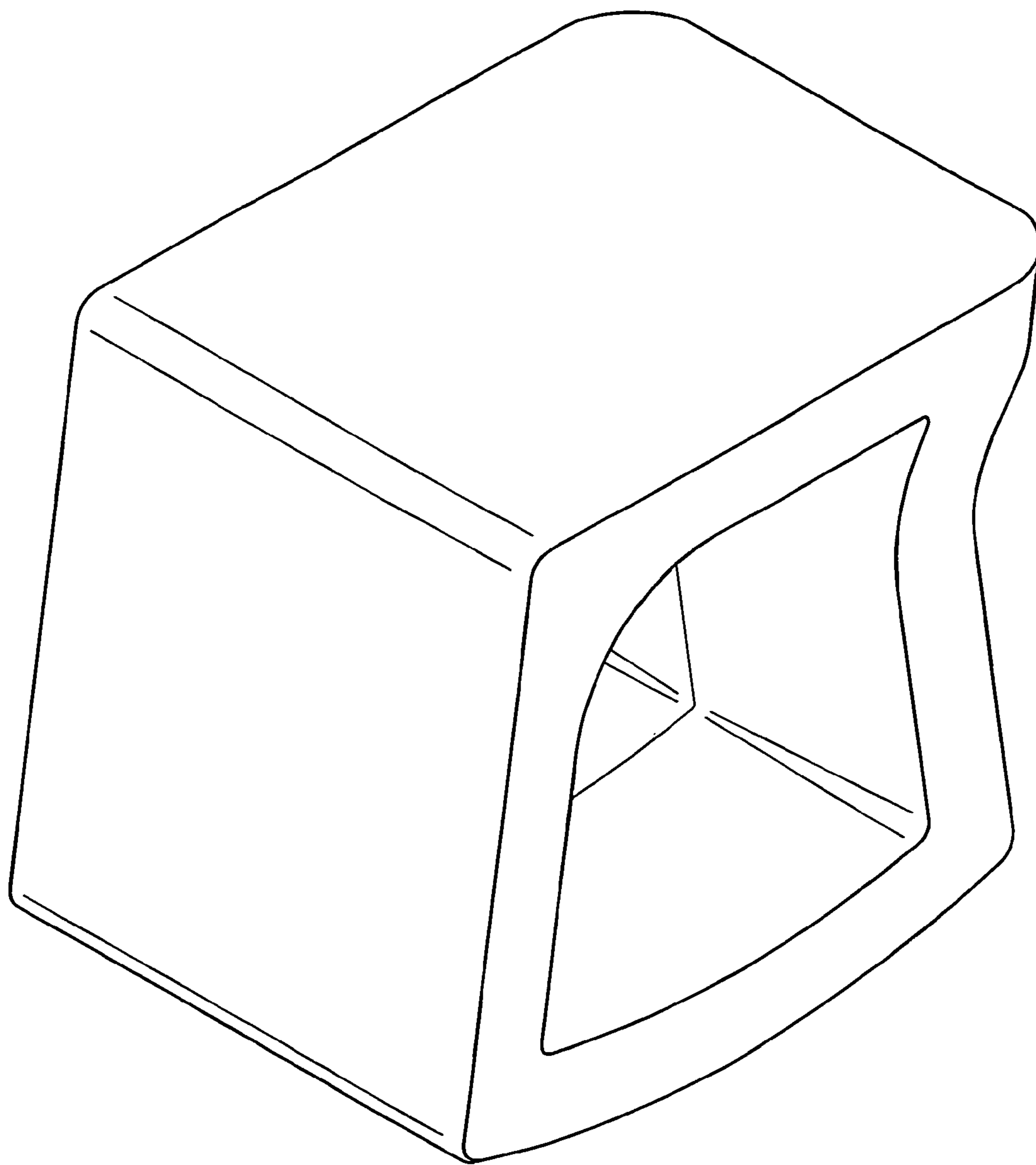


figure 6

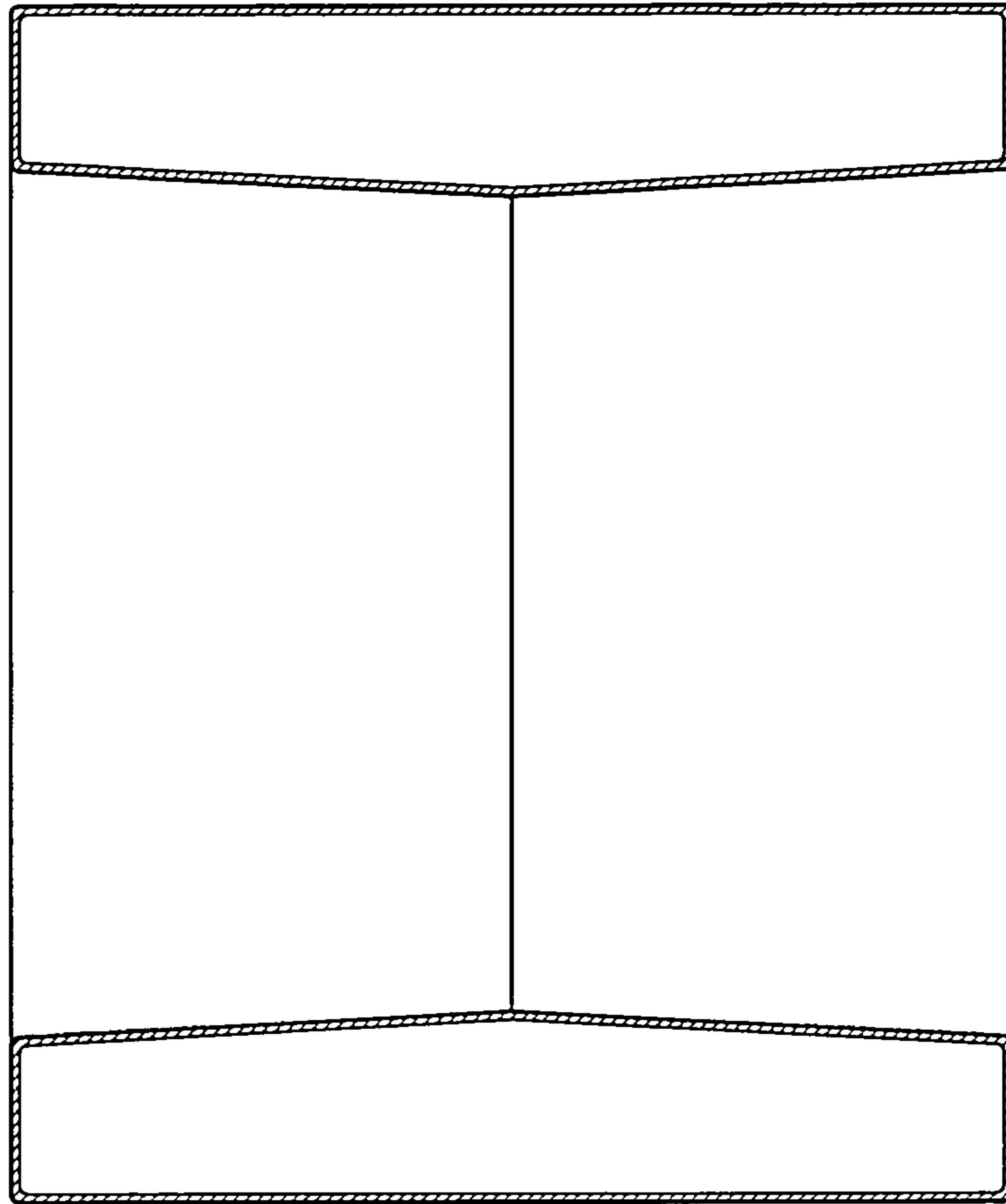


figure 7