



US00D688046S

(12) **United States Design Patent**
Aslett et al.

(10) **Patent No.:** **US D688,046 S**

(45) **Date of Patent:** **** Aug. 20, 2013**

(54) **COMBINED TOOTHBRUSH AND TEETHER**

(75) Inventors: **Donald A. Aslett**, Pocatello, ID (US);
Sandra Phillips, Pocatello, ID (US);
Troy Tegeder, Vail, AZ (US)

(73) Assignee: **Live-Right, LLC**, Pocatello, ID (US)

(**) Term: **14 Years**

(21) Appl. No.: **29/376,495**

(22) Filed: **Oct. 7, 2010**

(51) **LOC (9) Cl.** **04-02**

(52) **U.S. Cl.**
USPC **D4/107**; D4/108; D4/125; D21/599;
D24/195

(58) **Field of Classification Search**

USPC D4/107, 108, 125, 136; D21/597,
D24/194, 195; 15/110, 167.1,
15/167.2, 188; 601/139, 141; 606/161, 234,
606/235; 446/71, 72, 156, 268

See application file for complete search history.

(56) **References Cited**

U.S. PATENT DOCUMENTS

D229,903	S	*	1/1974	Ceniceros	D4/107
5,048,143	A	*	9/1991	Carroll	15/110
5,078,732	A	*	1/1992	Ceniceros	606/235
5,138,737	A	*	8/1992	Thomas	15/143.1
D337,202	S	*	7/1993	Haddad	D4/107
5,291,878	A	*	3/1994	Lombardo et al.	601/139
5,683,421	A	*	11/1997	Guarini et al.	606/235
D415,898	S	*	11/1999	Haddad	D4/107
D421,185	S	*	2/2000	Remme	D4/108
D566,400	S	*	4/2008	Phillips	D4/107
D619,370	S	*	7/2010	Tegeder et al.	D4/107
D625,106	S	*	10/2010	Thomas	D4/107

OTHER PUBLICATIONS

CN 301149707 Registered Design, (Liu, Xianglin) Mar. 3, 2010,
[online], [retrieved on Apr. 21, 2013] Retrieved from the Questel

Intellectual Property Portal Design Database using the Internet:
<URL: <http://www.orbit.com>>.*

* cited by examiner

Primary Examiner — Melanie H Tung

Assistant Examiner — Lavone D Tabor

(74) *Attorney, Agent, or Firm* — Durham Jones & Pinegar
Intellectual Property Law Group

(57) **CLAIM**

The ornamental design for a combined toothbrush and teether, as shown and described.

DESCRIPTION

FIG. 1 is a front perspective view of a combined toothbrush and teether showing our new design;

FIG. 2 is a front plan view of the combined toothbrush and teether shown in FIG. 1;

FIG. 3 is a rear perspective view of the combined toothbrush and teether shown in FIG. 1;

FIG. 4 is a rear plan view of the combined toothbrush and teether shown in FIG. 1;

FIG. 5 is a first side view of the combined toothbrush and teether shown in FIG. 1;

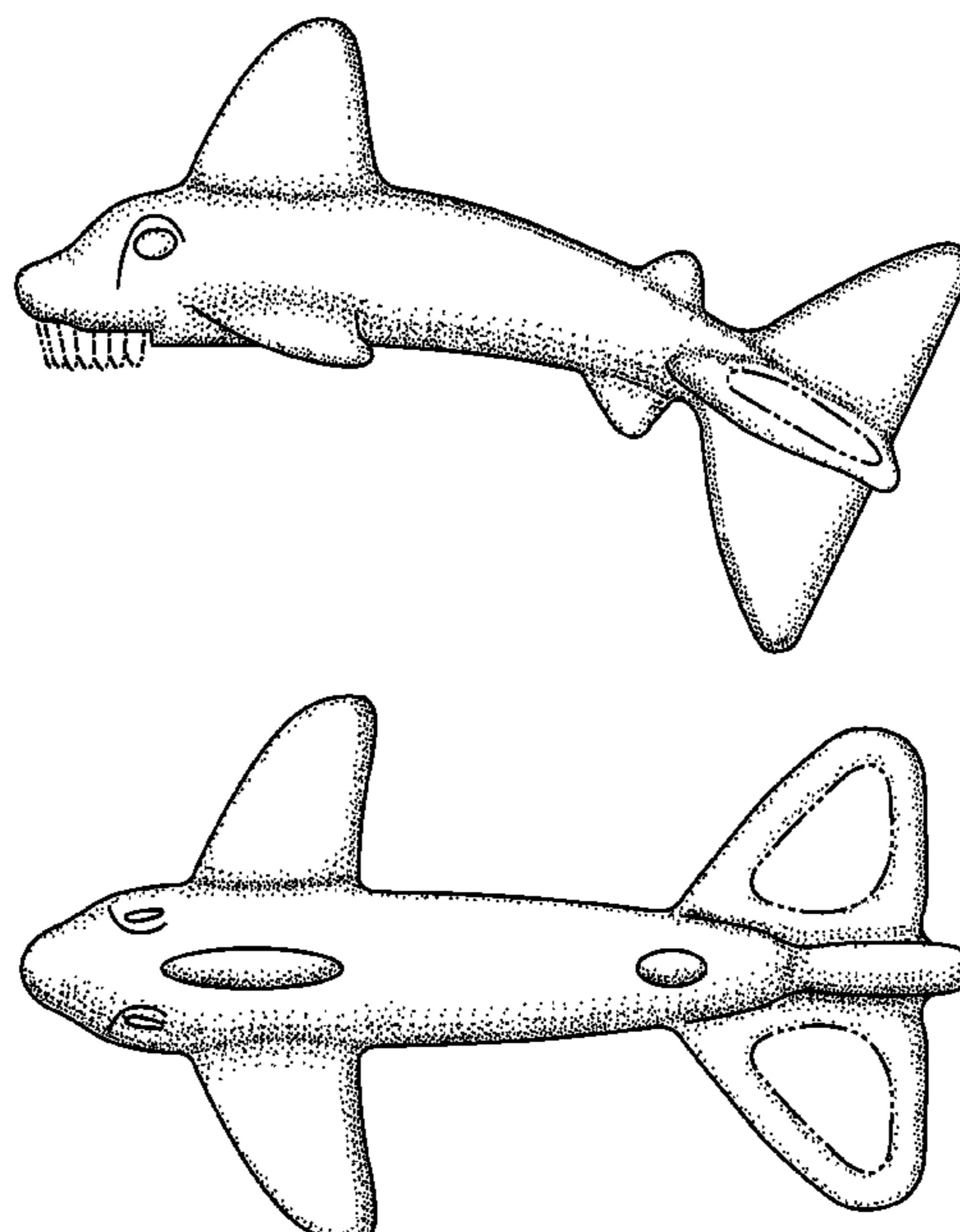
FIG. 6 is a second side view of the combined toothbrush and teether shown in FIG. 1;

FIG. 7 is a top view of the combined toothbrush and teether shown in FIG. 1; and,

FIG. 8 is a bottom view of the combined toothbrush and teether shown in FIG. 1.

The broken lines shown on the rear fin features represent the bounds of the claim and form no part thereof and the broken lines showing bristles illustrate portions of the combined toothbrush and teether that form no part of the claimed design.

1 Claim, 4 Drawing Sheets



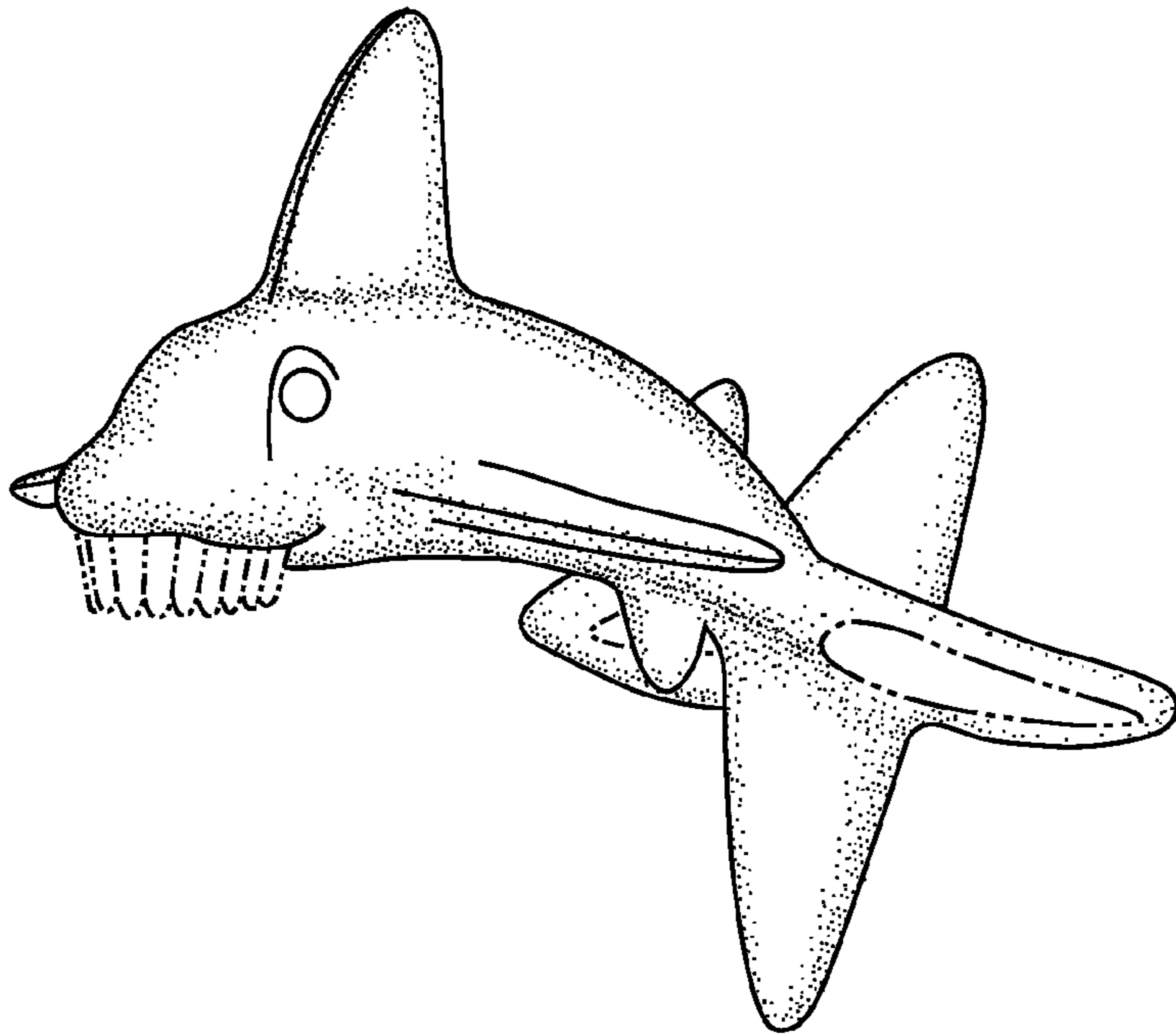


FIG. 1

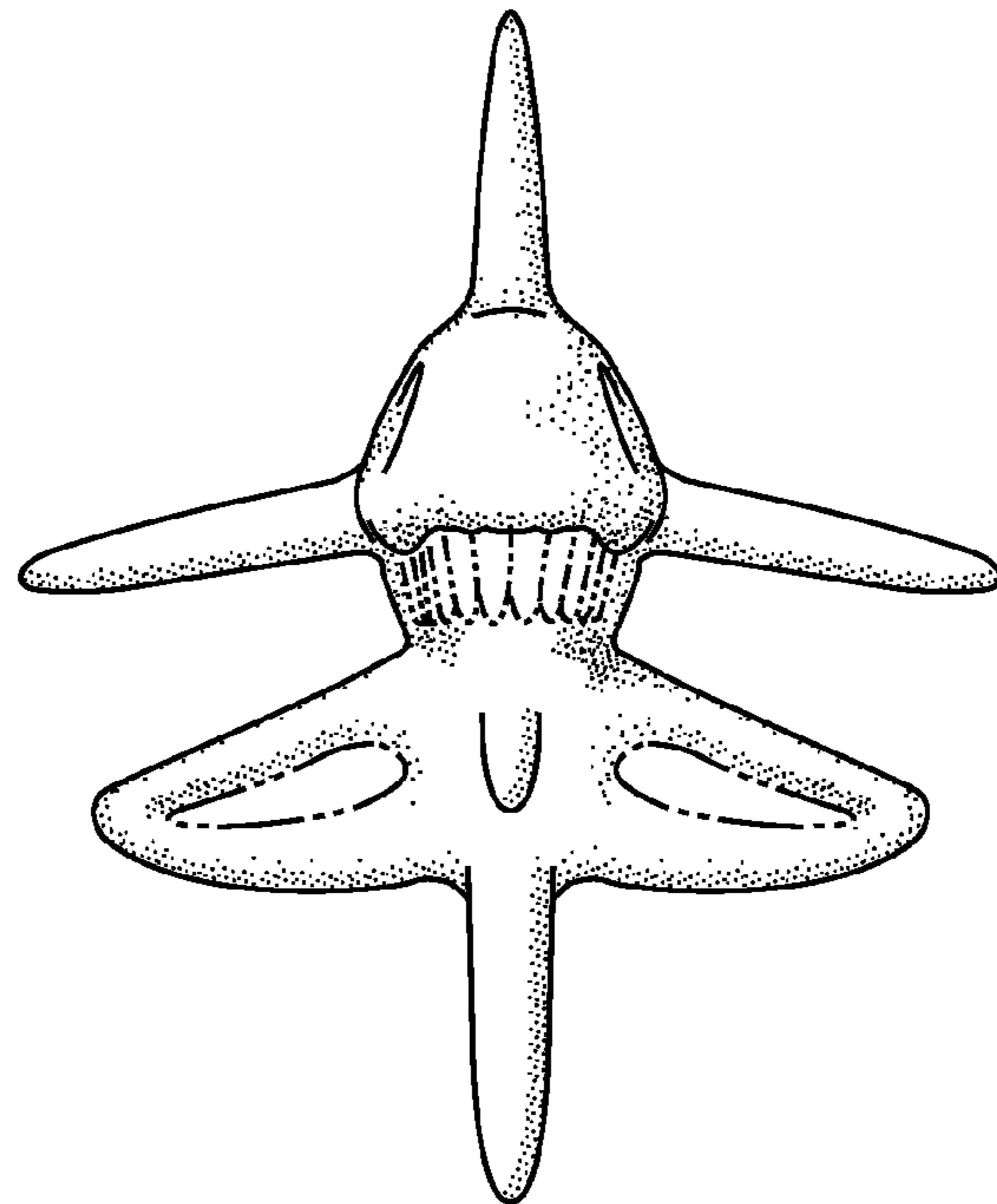


FIG. 2

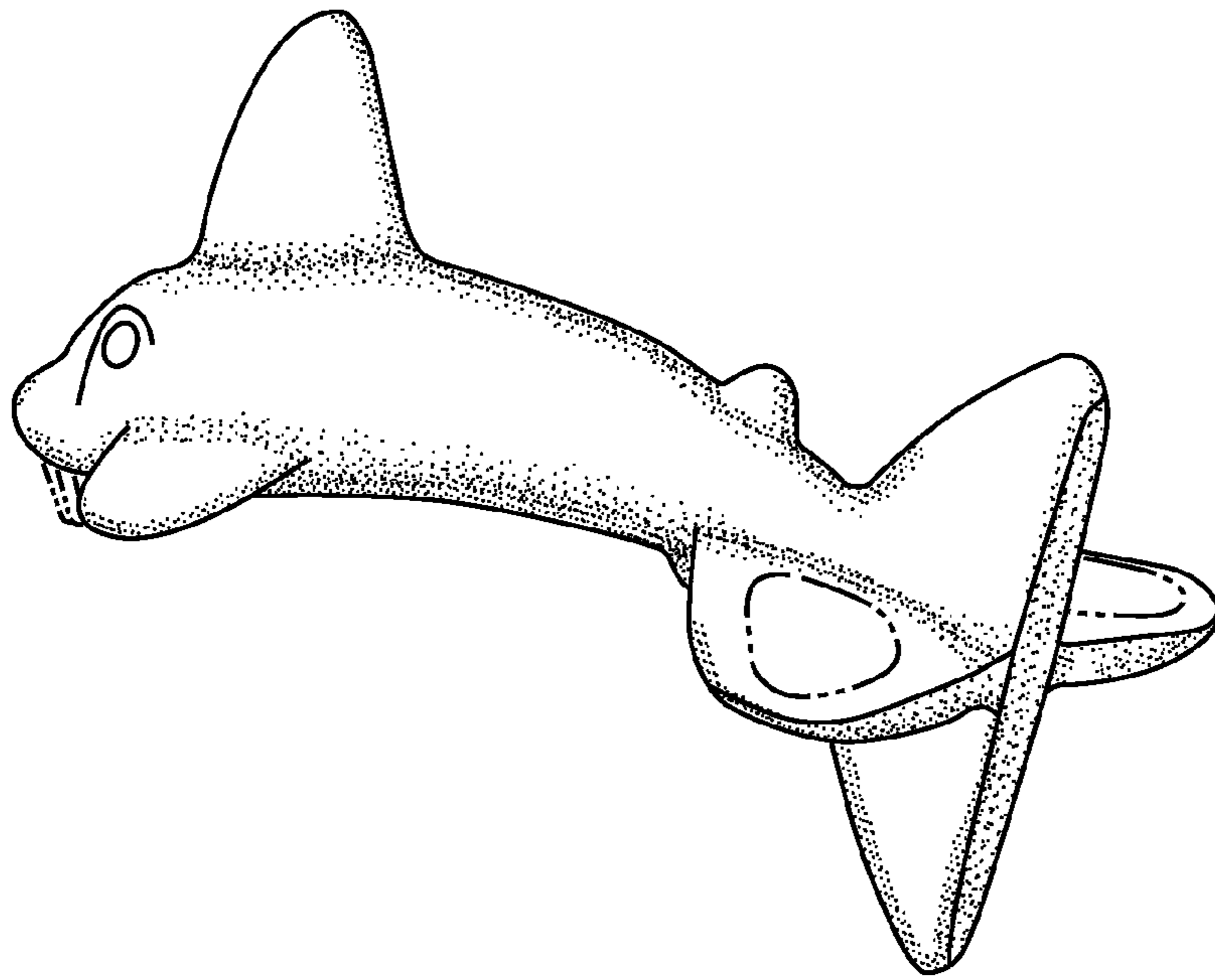


FIG. 3

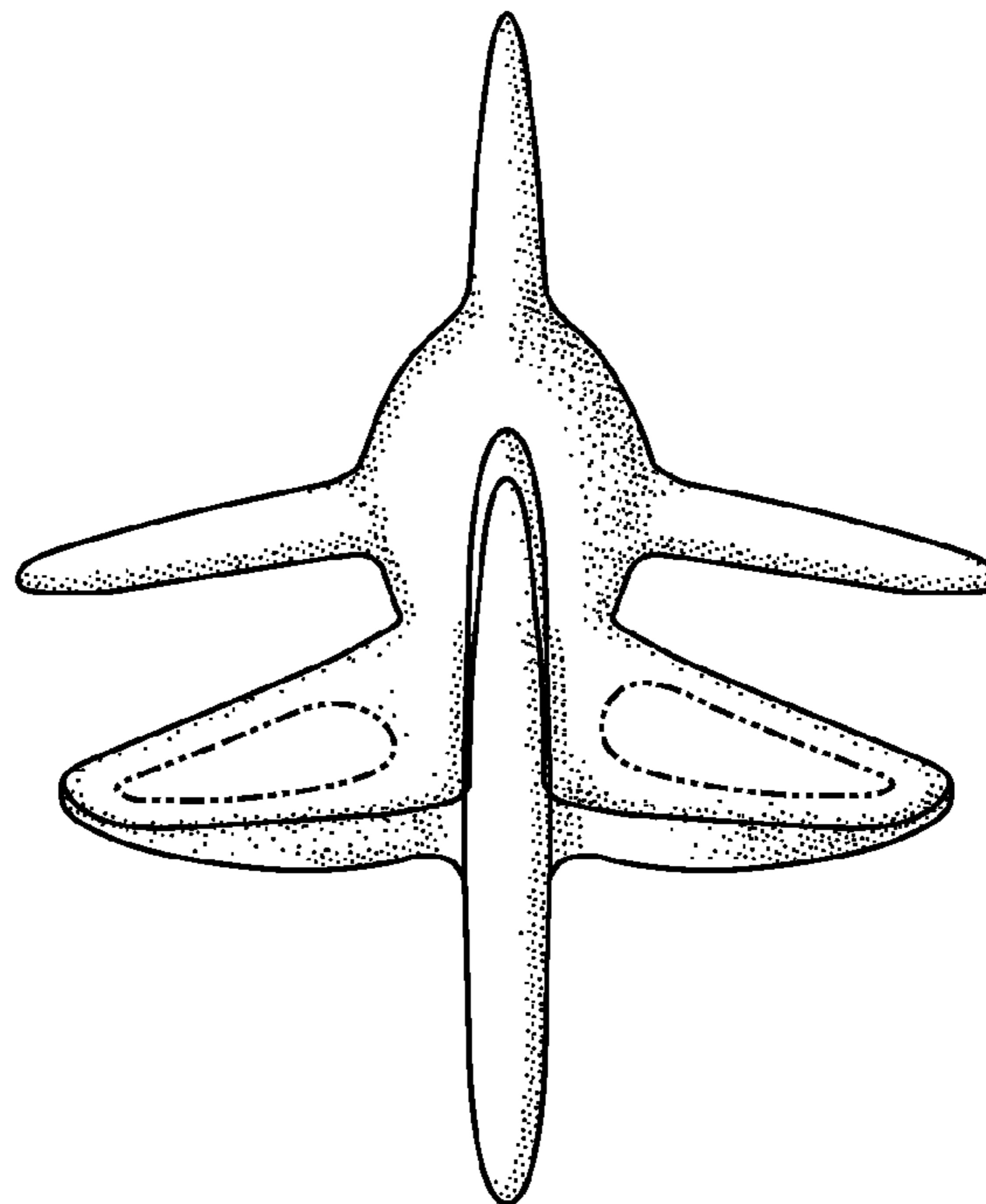


FIG. 4

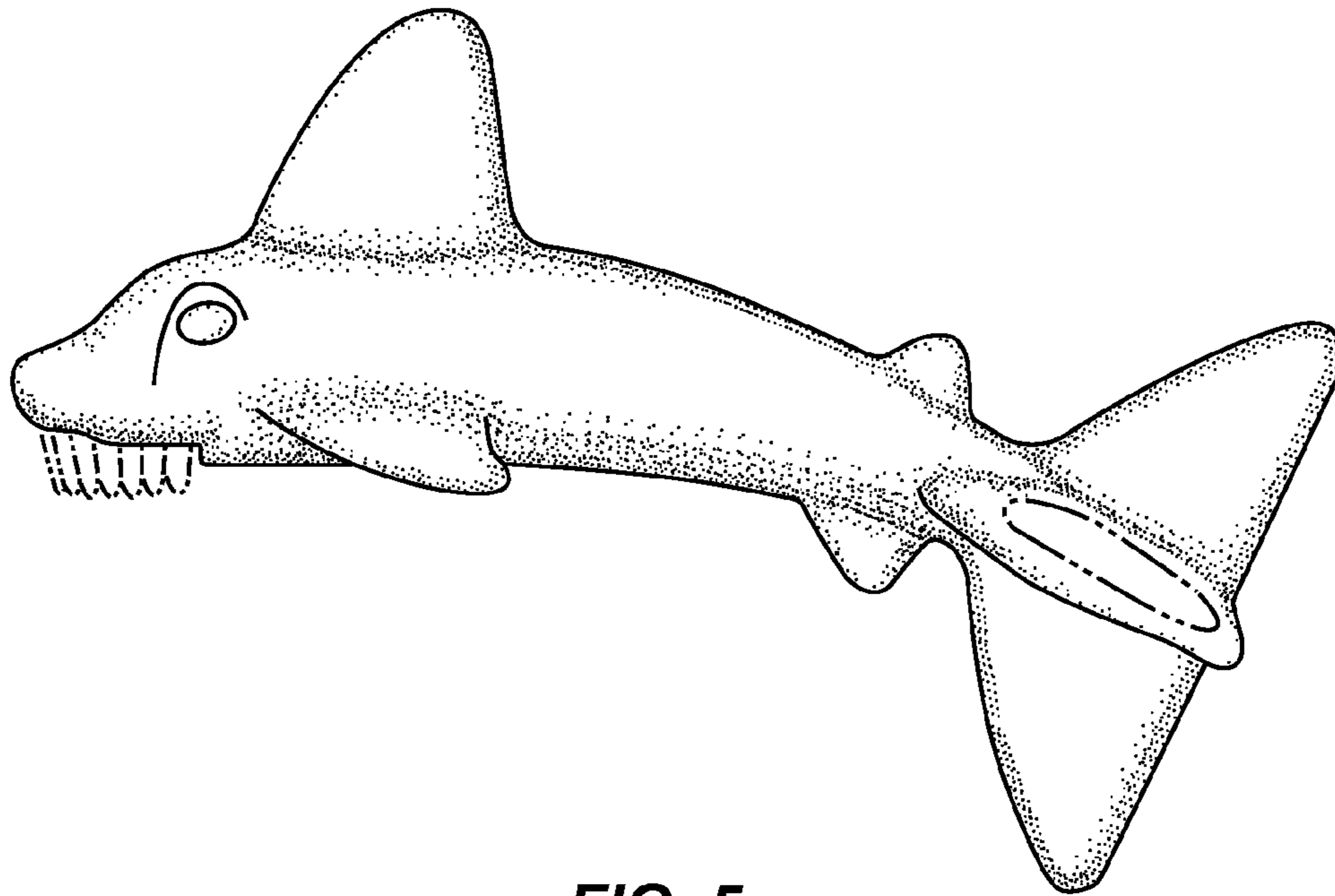


FIG. 5

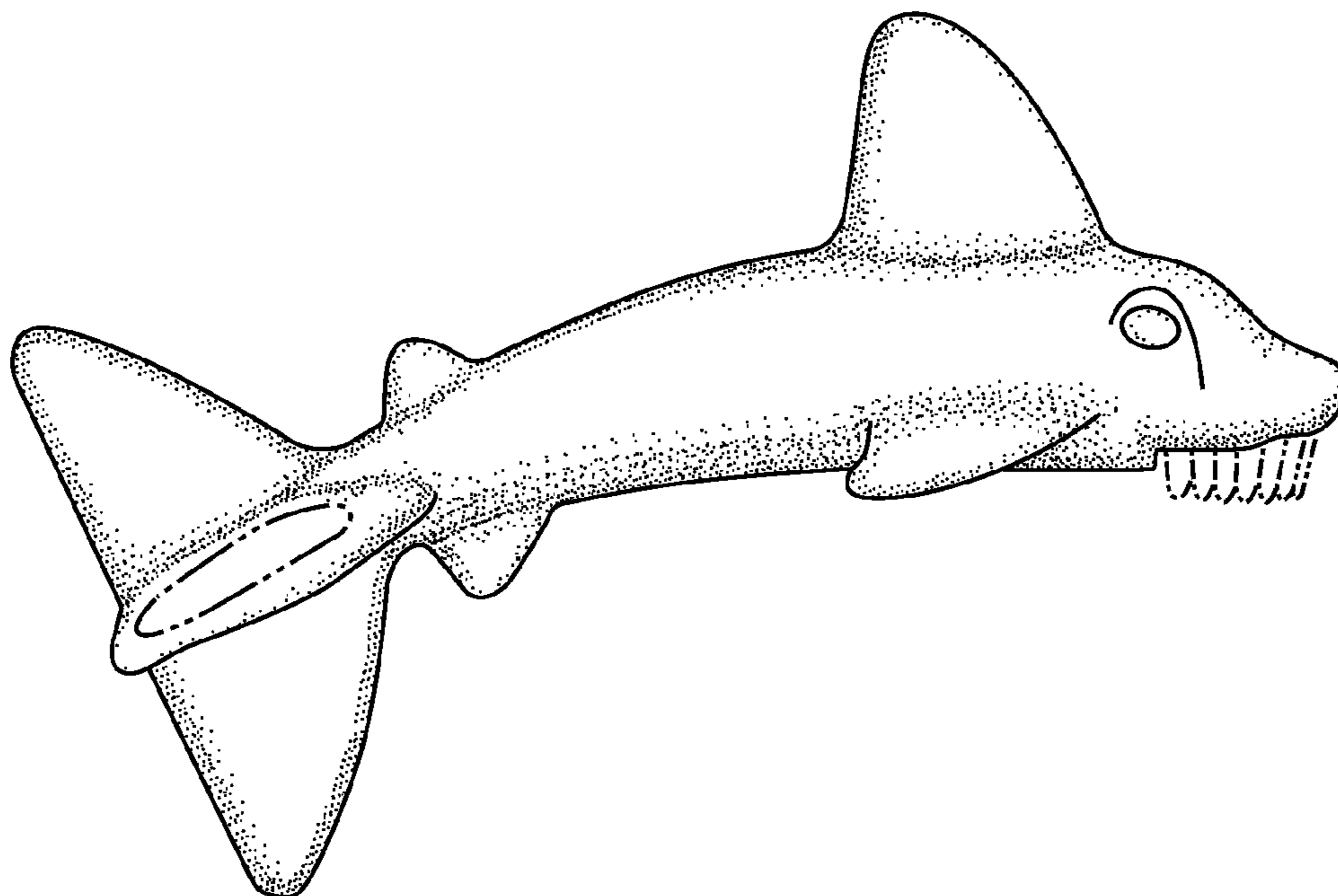


FIG. 6

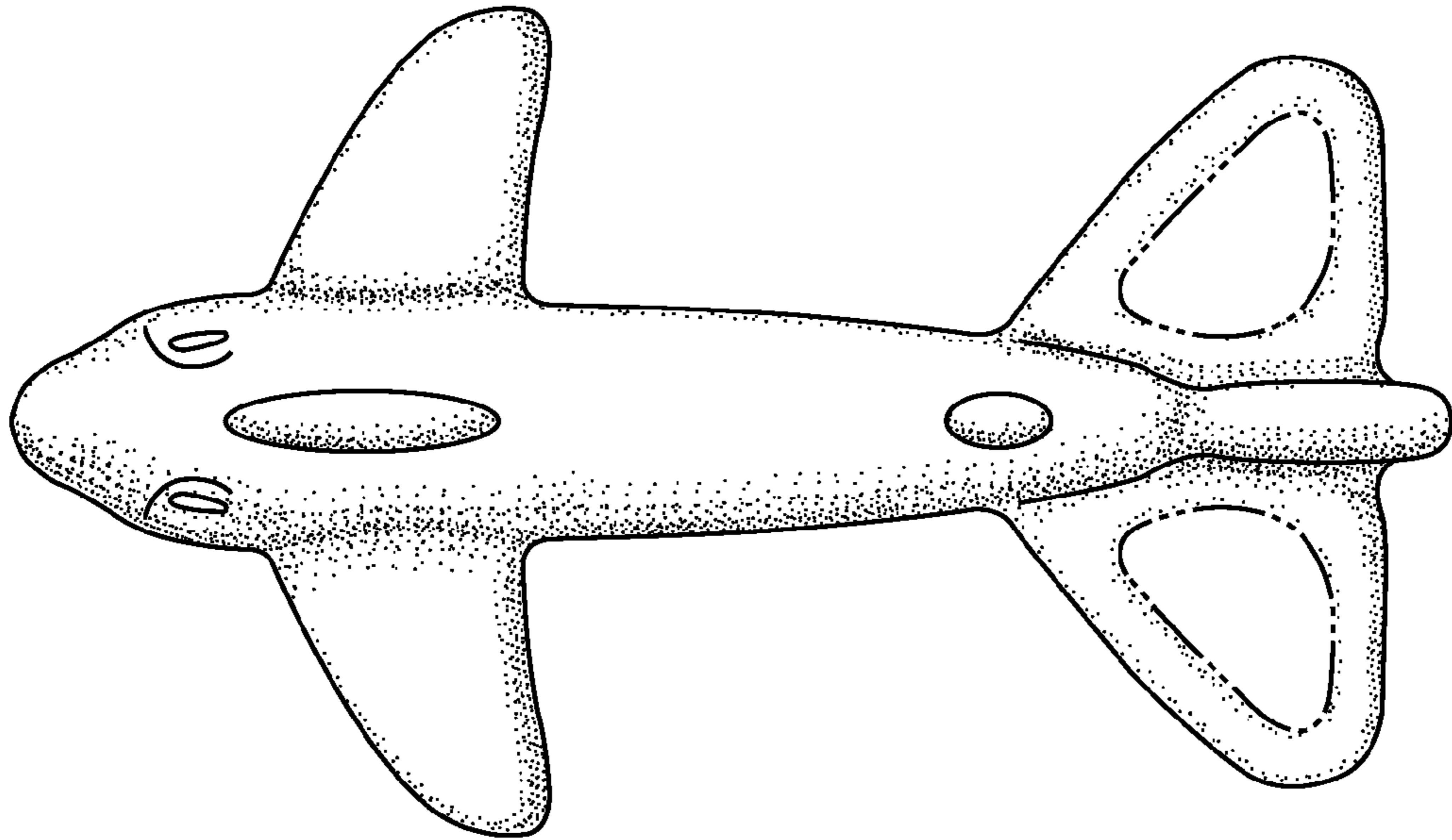


FIG. 7

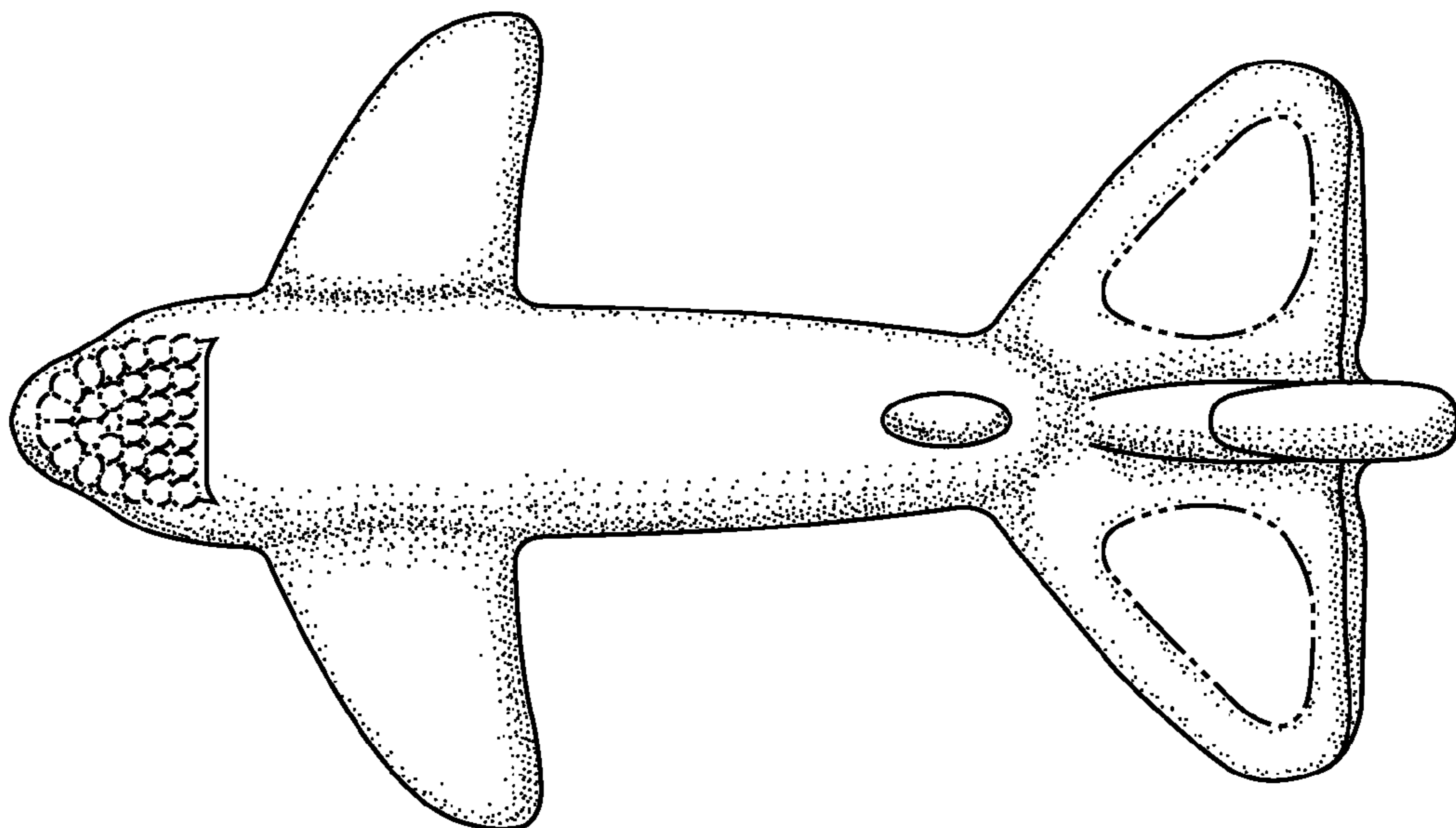


FIG. 8