



US00D688044S

(12) **United States Design Patent**
Brunner

(10) **Patent No.:** **US D688,044 S**

(45) **Date of Patent:** **** Aug. 20, 2013**

(54) **TOOL CADDY**

(75) Inventor: **Yaron Brunner**, Timrat (IL)

(73) Assignee: **Keter Plastic Ltd.**, Herzelyia (IL)

(**) Term: **14 Years**

(21) Appl. No.: **29/423,957**

(22) Filed: **Jun. 6, 2012**

(30) **Foreign Application Priority Data**

Dec. 6, 2011 (EM) 1958711

(51) **LOC (9) Cl.** **03-01**

(52) **U.S. Cl.**
USPC **D3/304**

(58) **Field of Classification Search**
USPC D3/304-309, 313, 315, 901, 904-905;
D32/53, 53.1, 54; 220/500, 505-506, 507,
220/555, 752, 756, 904; 206/225, 337, 233,
206/349, 518

See application file for complete search history.

(56) **References Cited**

U.S. PATENT DOCUMENTS

D383,633 S * 9/1997 Schweitzer D6/567
D493,590 S * 7/2004 Chen D34/1
D494,185 S * 8/2004 Rowell D14/471
D504,701 S * 5/2005 Chen et al. D19/90
D563,136 S * 3/2008 Kramer D6/553

D607,624 S * 1/2010 Bergman D32/54
D613,507 S * 4/2010 Brouard D3/315
D614,404 S * 4/2010 Brunner D3/304
D633,297 S * 3/2011 Searcy D3/310
D643,983 S * 8/2011 Lockwood et al. D32/53
D661,855 S * 6/2012 Bergman et al. D32/53.1
D665,846 S * 8/2012 Chuang D19/90
D667,633 S * 9/2012 Searcy D3/313

* cited by examiner

Primary Examiner — Kelley Donnelly

(74) *Attorney, Agent, or Firm* — Vorys, Sater, Seymour and Pease LLP; Susanne M. Hopkins; William L. Klima

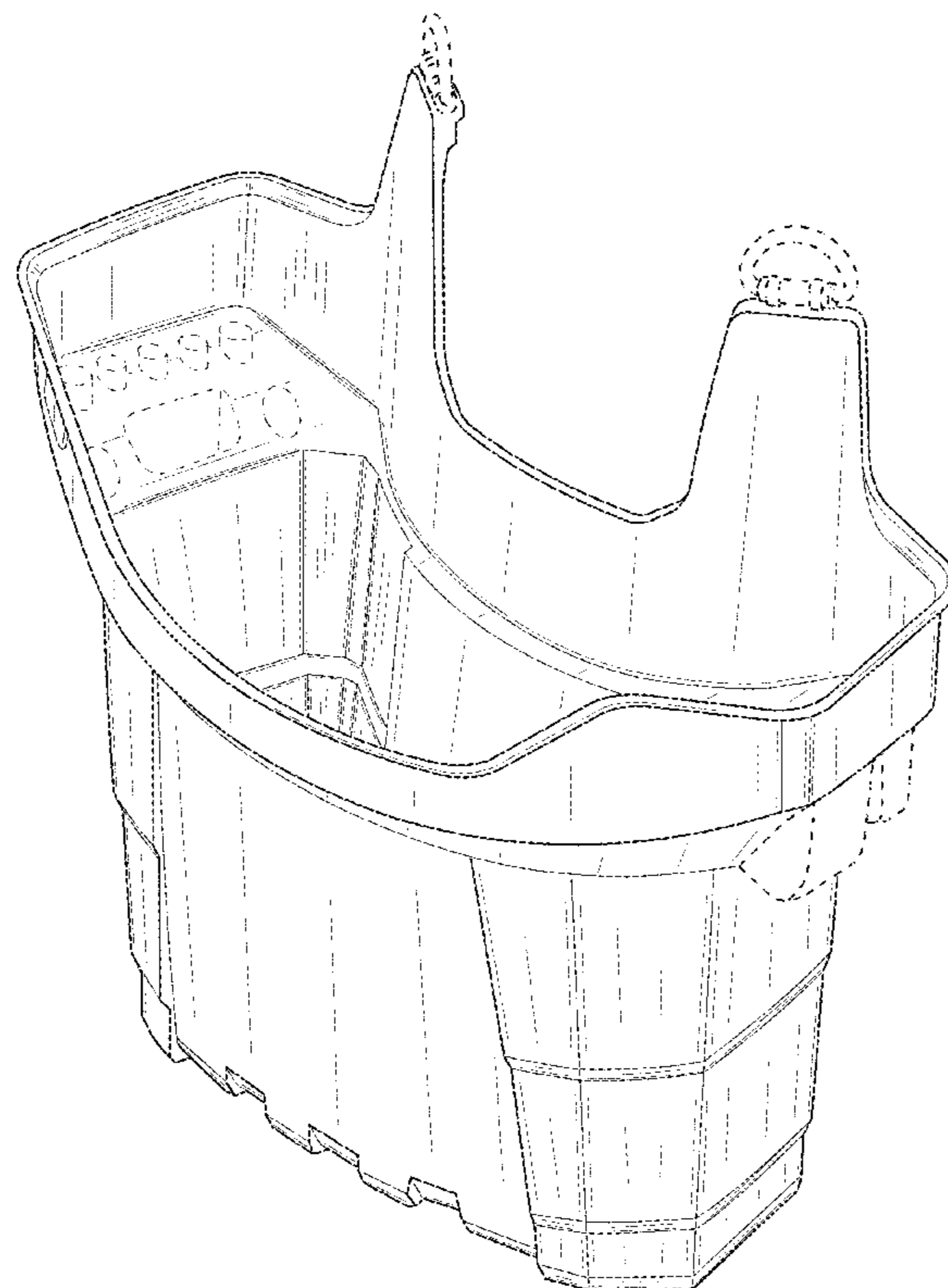
(57) **CLAIM**

The ornamental design for a tool caddy, as shown and described.

DESCRIPTION

FIG. 1 is a top front perspective view of a tool caddy;
FIG. 2 is a front elevational view thereof;
FIG. 3 is a rear elevational view thereof;
FIG. 4 is a left side elevational view thereof;
FIG. 5 is a right side elevational view thereof;
FIG. 6 is a top planar view thereof; and,
FIG. 7 is a bottom planar view thereof.
The broken lines showing is included for the purpose of illustrating environment of the design only and forms no part of the claimed design.

1 Claim, 7 Drawing Sheets



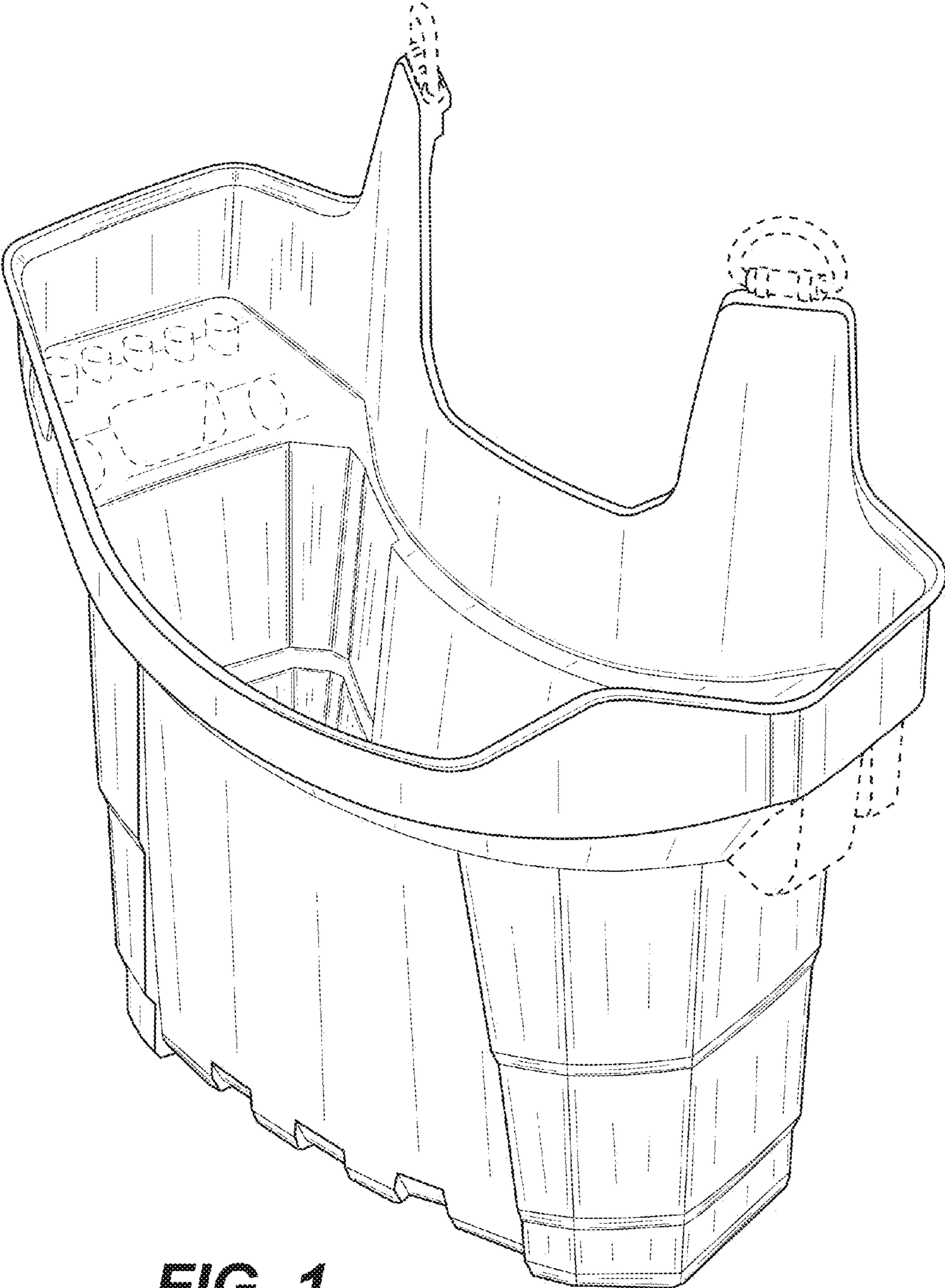


FIG. 1

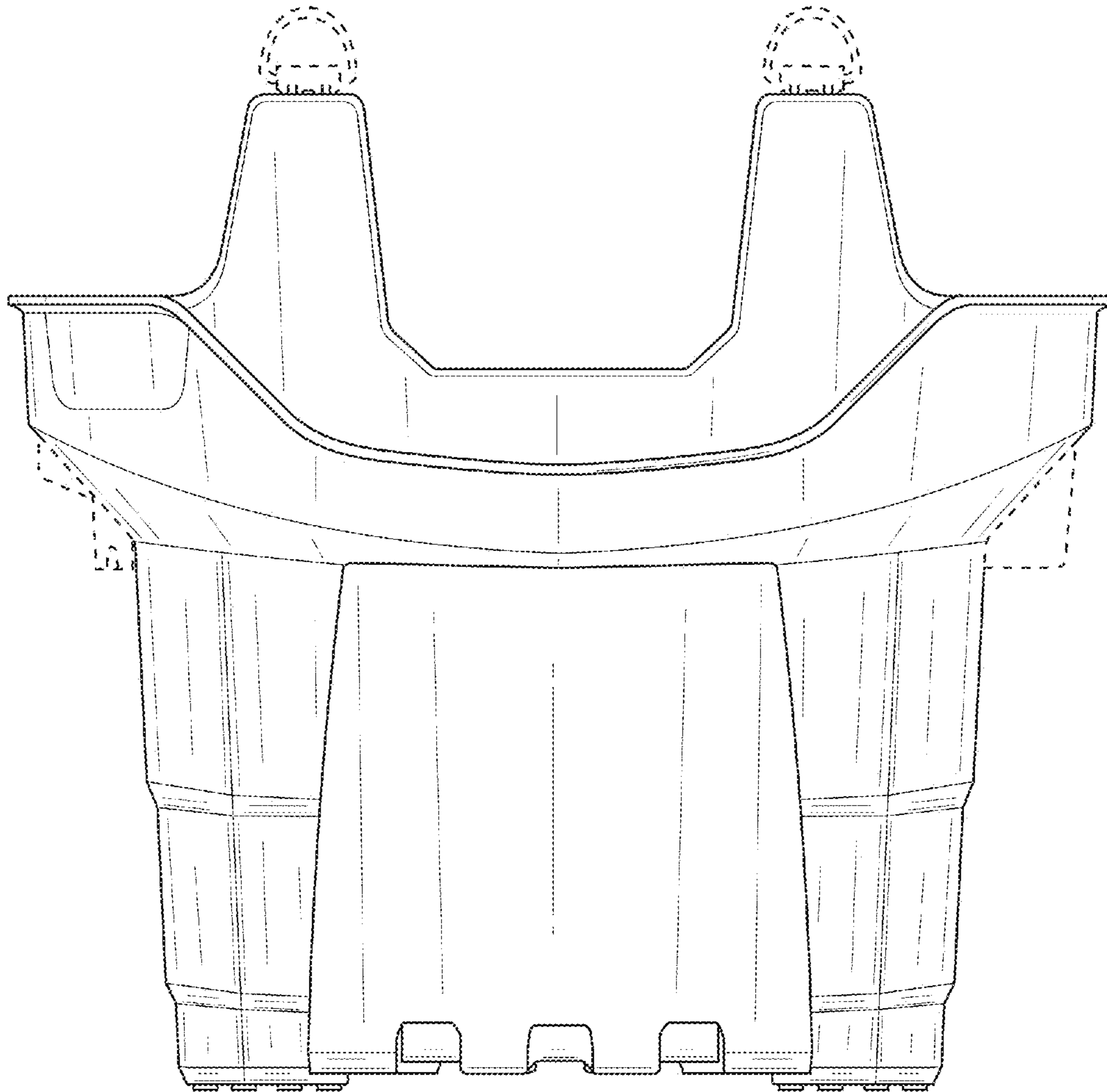


FIG. 2

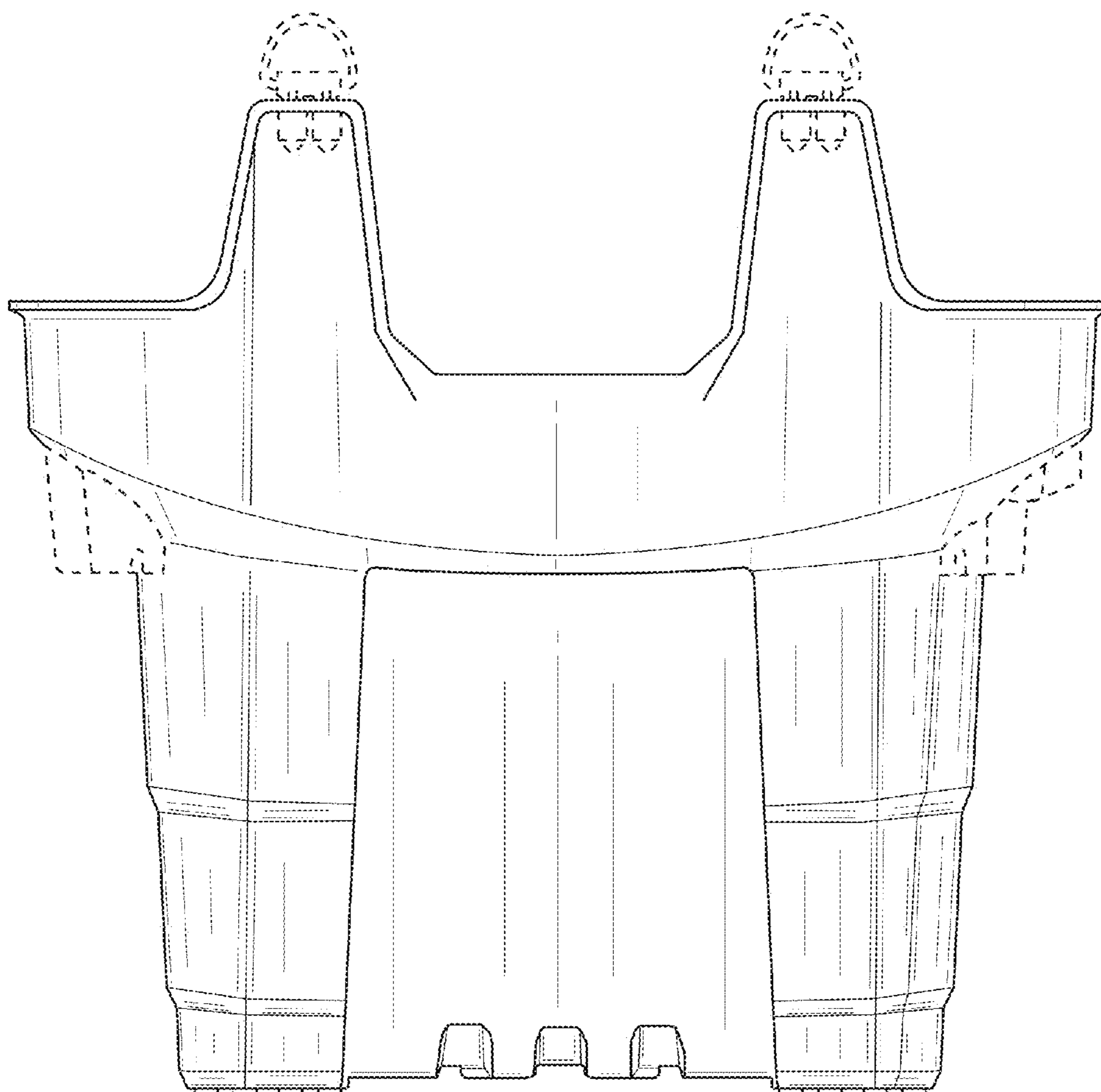


FIG. 3

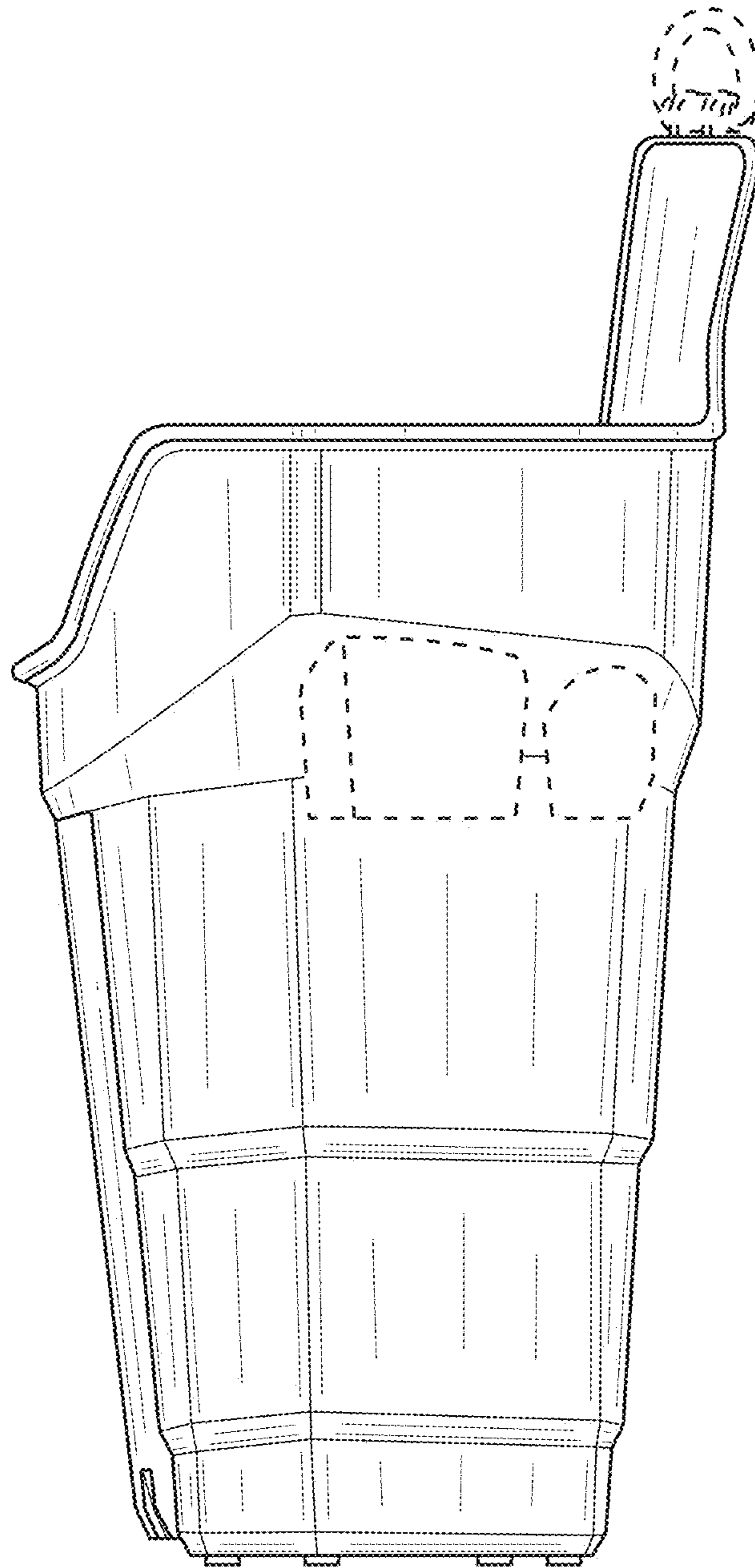


FIG. 4

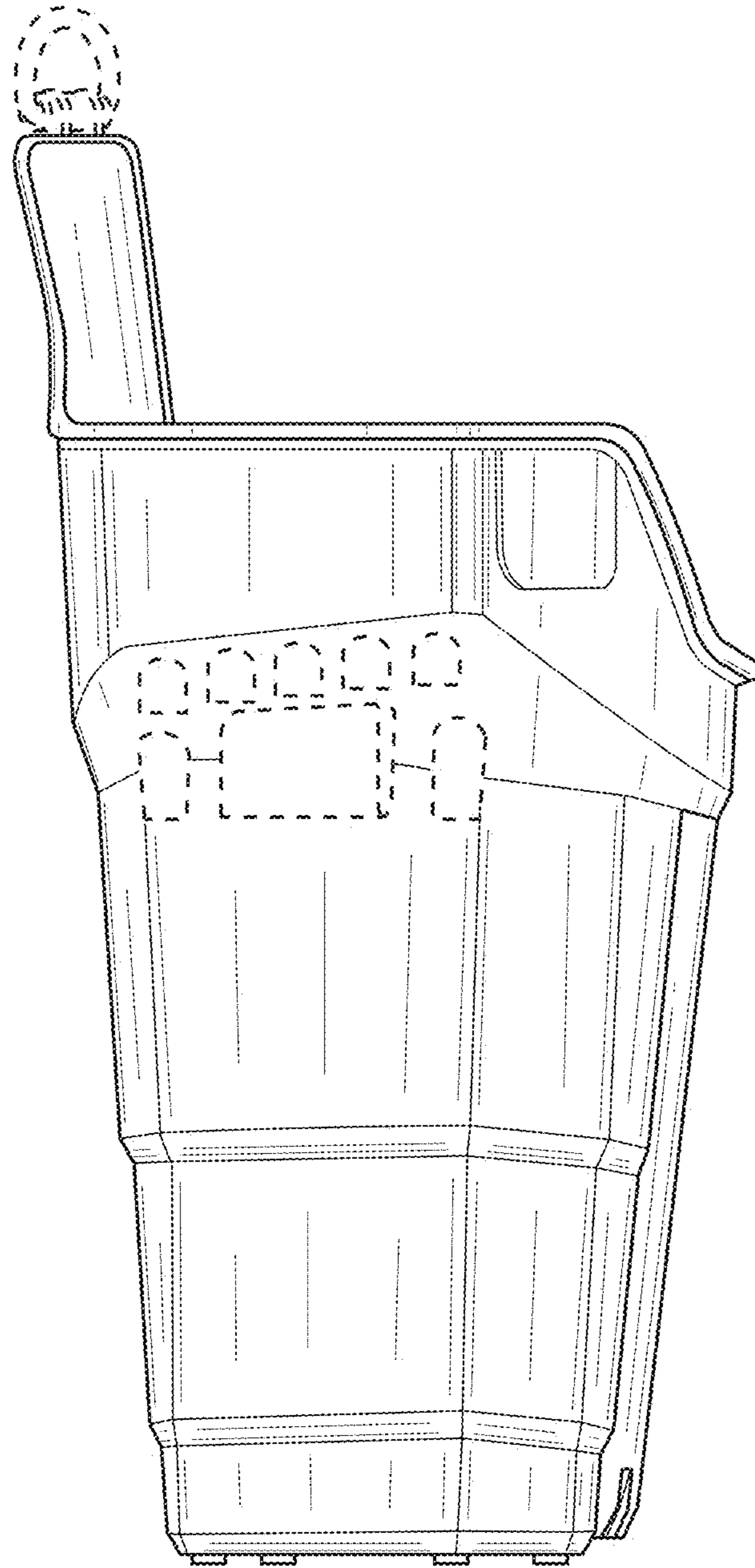


FIG. 5

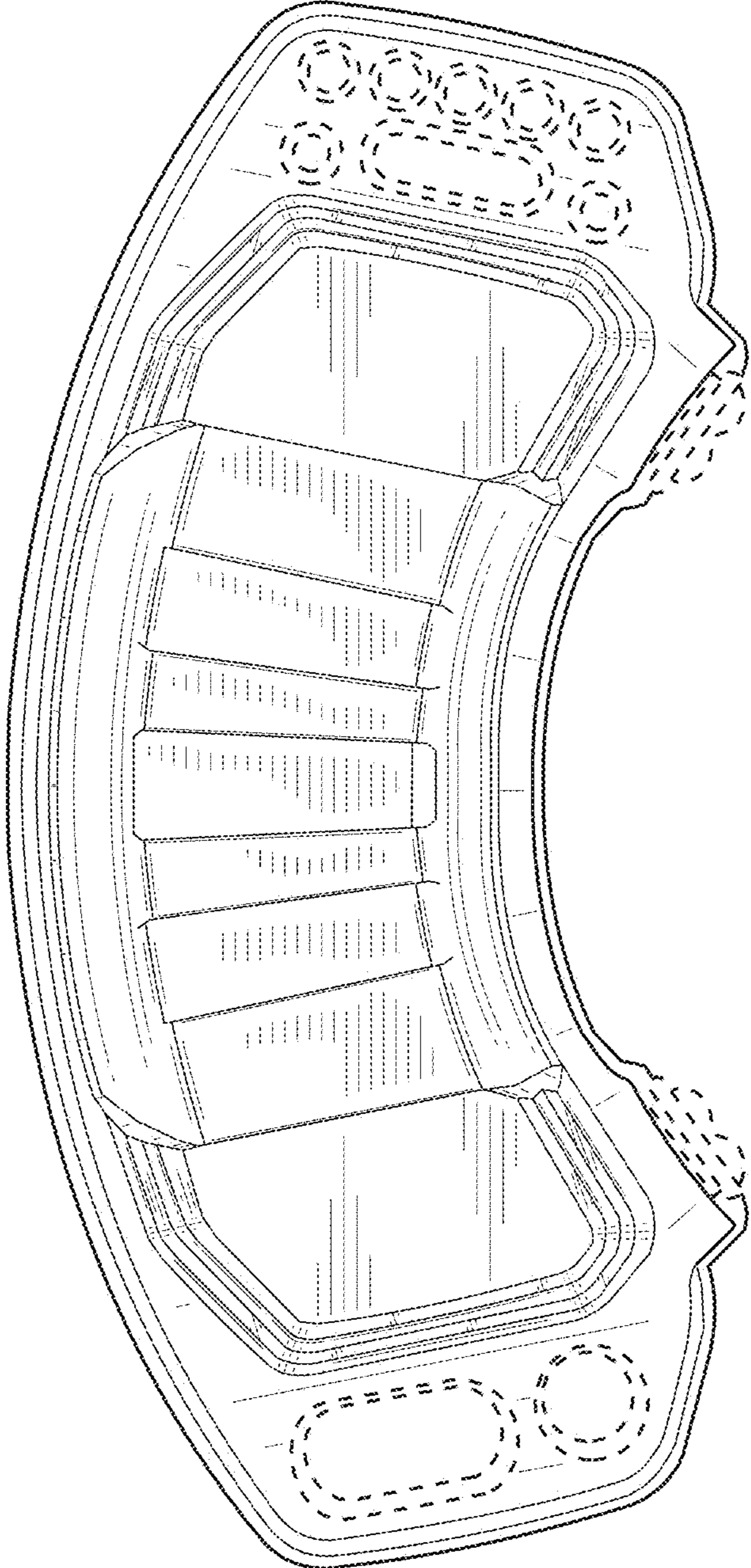


FIG. 6

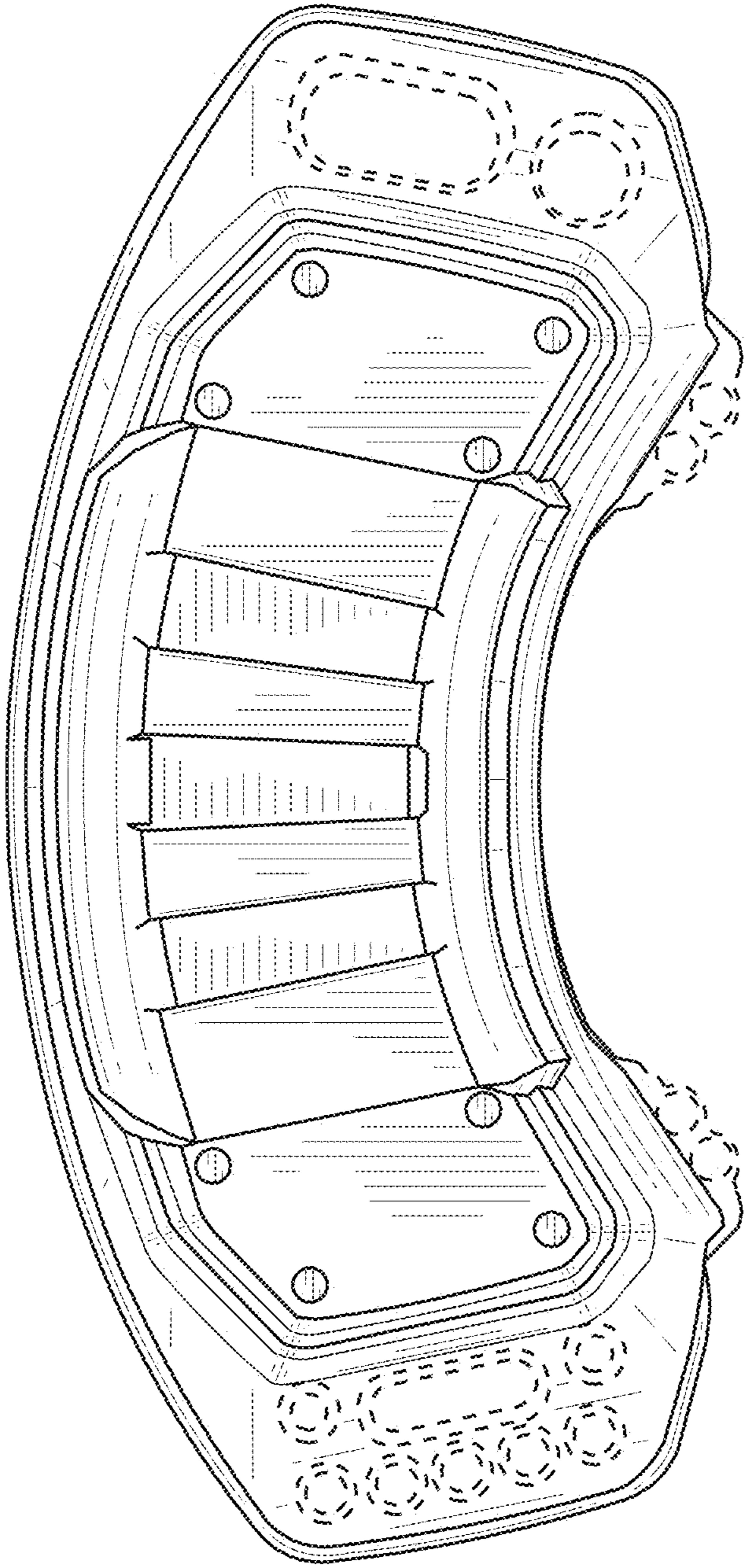


FIG. 7