



US00D688043S

(12) **United States Design Patent**  
**Phillips et al.**

(10) **Patent No.:** **US D688,043 S**

(45) **Date of Patent:** **\*\* Aug. 20, 2013**

(54) **ELECTRONIC DEVICE POUCH WITH STRAP**

(75) Inventors: **Alison Phillips**, Toronto (CA); **Caitlin Curran-Blaney**, Toronto (CA)

(73) Assignee: **Reseach In Motion Limited**, Waterloo, Ontario (CA)

(\*\*) Term: **14 Years**

(21) Appl. No.: **29/414,130**

(22) Filed: **Feb. 24, 2012**

(51) **LOC (9) Cl.** ..... **03-01**

(52) **U.S. Cl.**  
USPC ..... **D3/290**; D3/299

(58) **Field of Classification Search**  
USPC ..... D3/273, 276, 287, 289, 290, 299,  
D3/300, 230; 206/320; 150/154, 159, 106,  
150/110, 112, 117, 118, 107; 224/600;  
190/100-127

See application file for complete search history.

(56) **References Cited**

U.S. PATENT DOCUMENTS

5,725,039	A *	3/1998	Macinai et al.	.....	150/104
6,637,484	B1 *	10/2003	Kraft	.....	150/112
D507,107	S *	7/2005	Goldberg	.....	D3/246
D520,238	S *	5/2006	Montague	.....	D3/290
D522,749	S *	6/2006	Tortorella et al.	.....	D3/299

D552,849	S *	10/2007	Bosley	.....	D3/290
D599,111	S *	9/2009	Boller	.....	D3/290
D600,592	S *	9/2009	Dandurand	.....	D11/226
D603,162	S *	11/2009	Simonian et al.	.....	D3/276
D622,505	S *	8/2010	Lown et al.	.....	D3/289
D678,677	S *	3/2013	Ren'kang	.....	D3/290
2004/0022021	A1 *	2/2004	Bovino	.....	206/320
2005/0263556	A1 *	12/2005	Labit et al.	.....	224/610
2009/0071782	A1 *	3/2009	Rasmussen	.....	190/109
2010/0193384	A1 *	8/2010	Daley, III	.....	206/320

\* cited by examiner

*Primary Examiner* — Jennifer Rivard

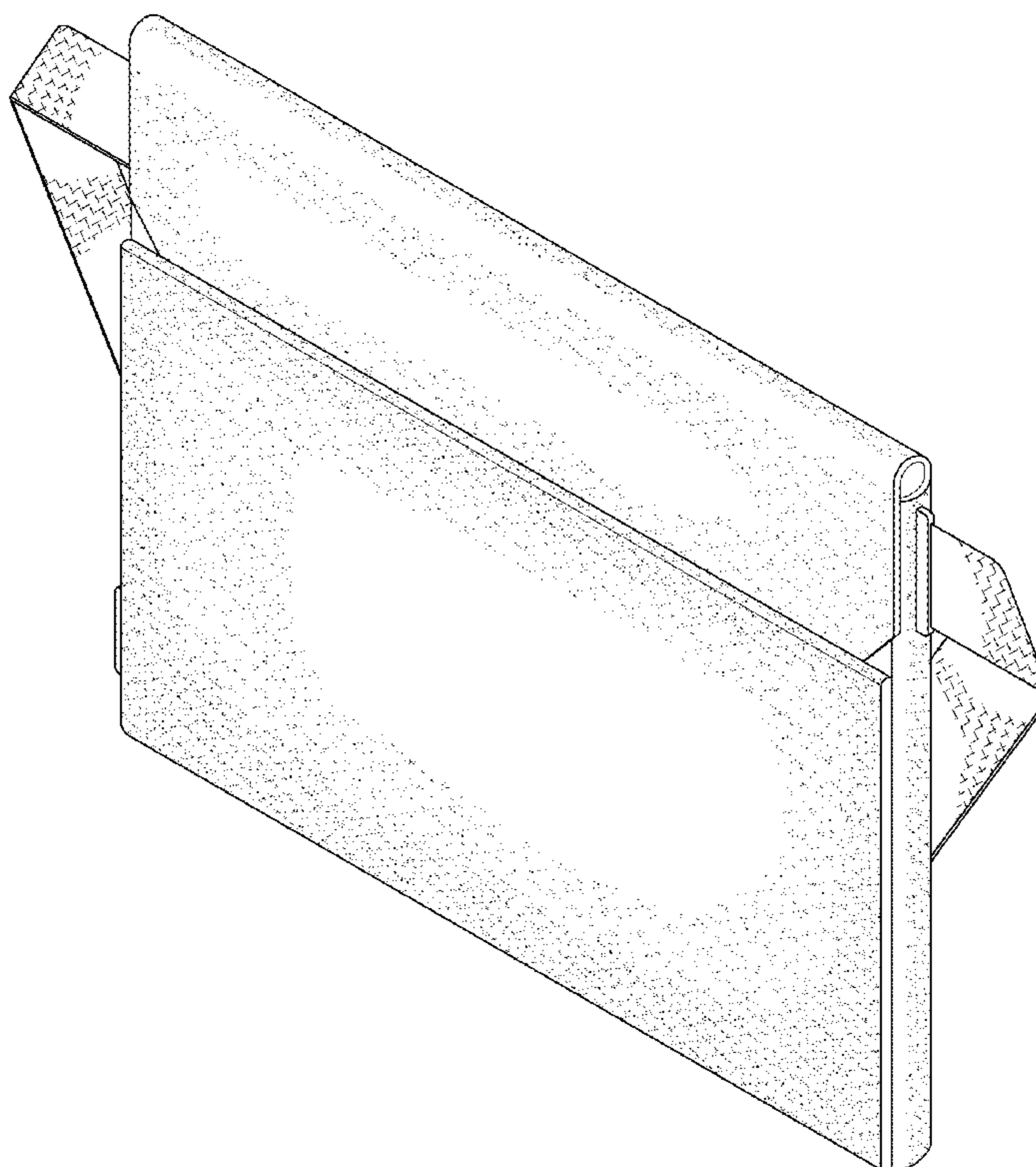
(57) **CLAIM**

We claim the ornamental design for an electronic device pouch with strap, as shown and described.

**DESCRIPTION**

FIG. 1 is a front perspective view of an electronic device pouch with strap;  
FIG. 2 is a front elevational view thereof;  
FIG. 3 is a back elevational view thereof;  
FIG. 4 is a right elevational view thereof;  
FIG. 5 is a left elevational view thereof;  
FIG. 6 is a top plan view thereof; and,  
FIG. 7 is a bottom plan view thereof.

**1 Claim, 5 Drawing Sheets**



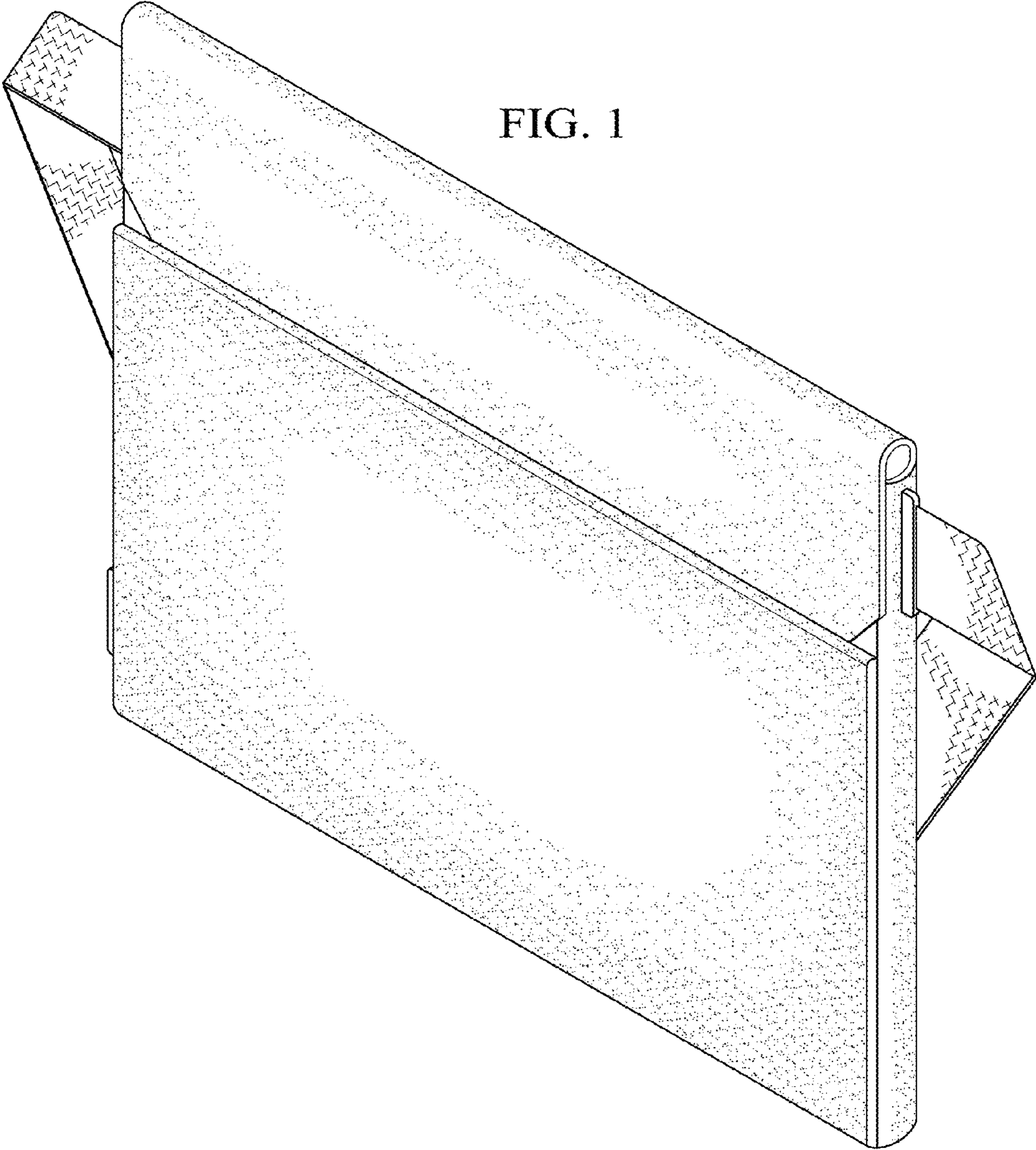


FIG. 1

FIG. 2

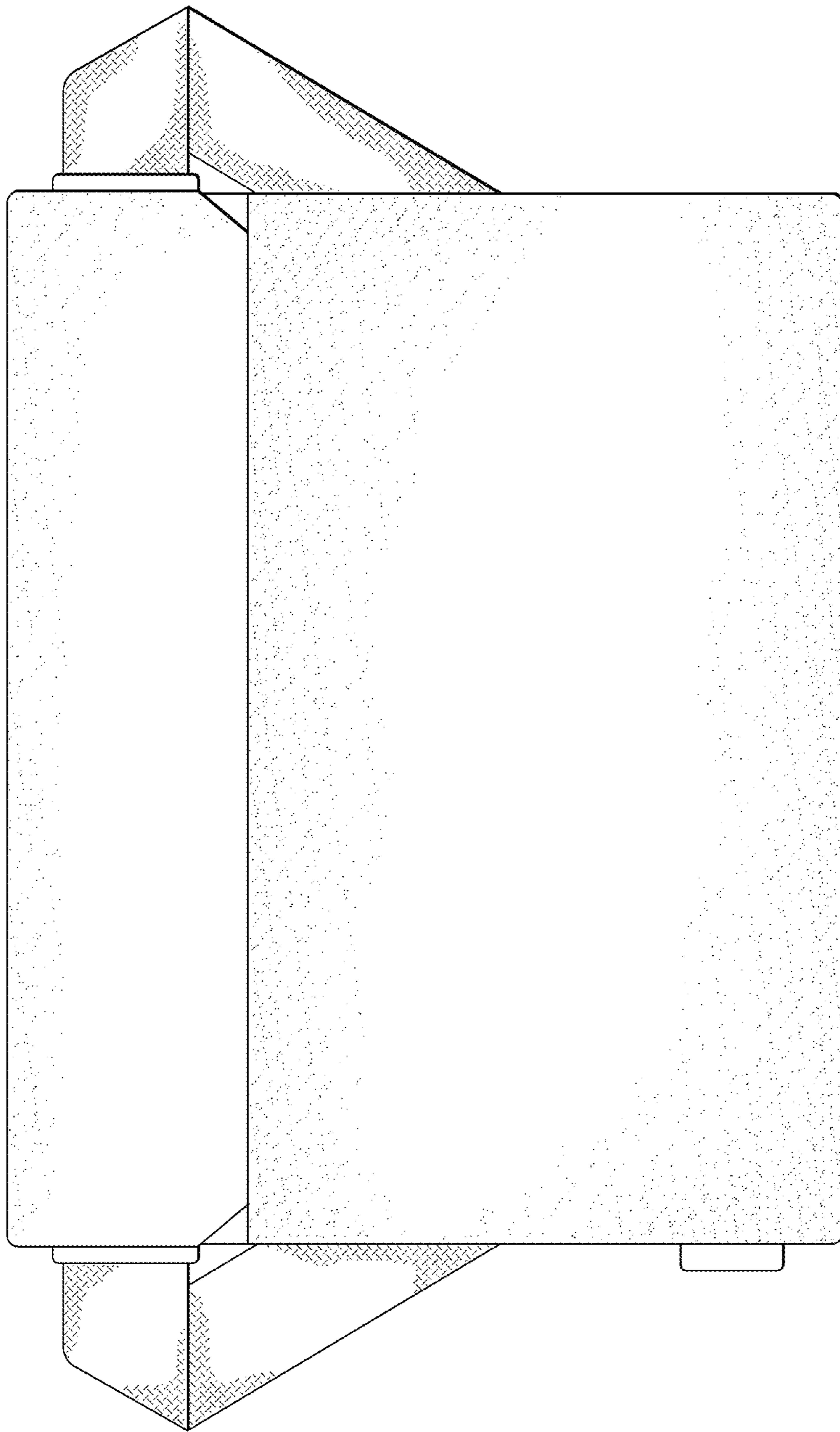




FIG. 3

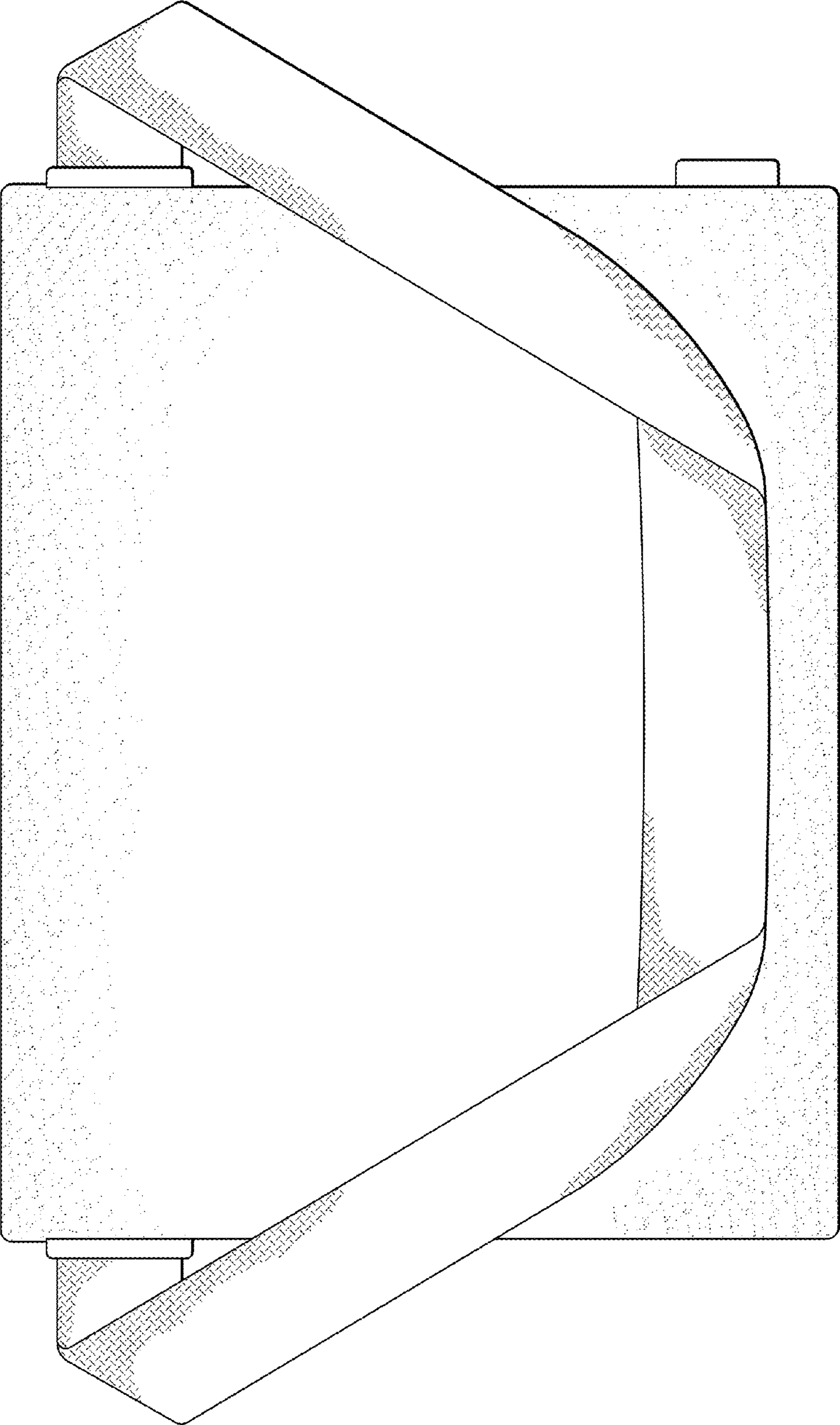


FIG. 5

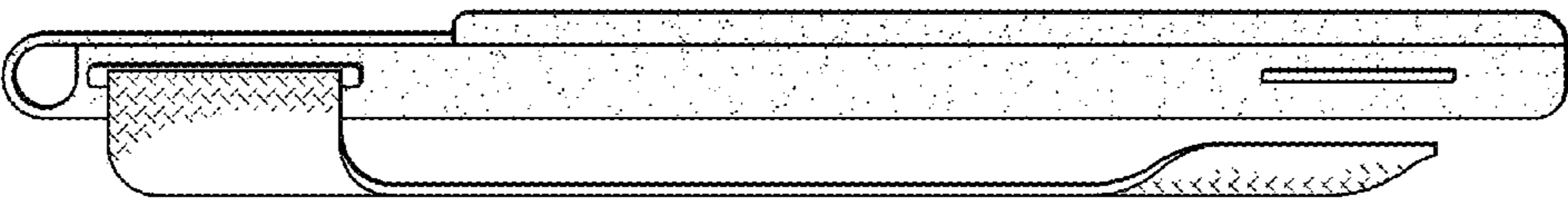
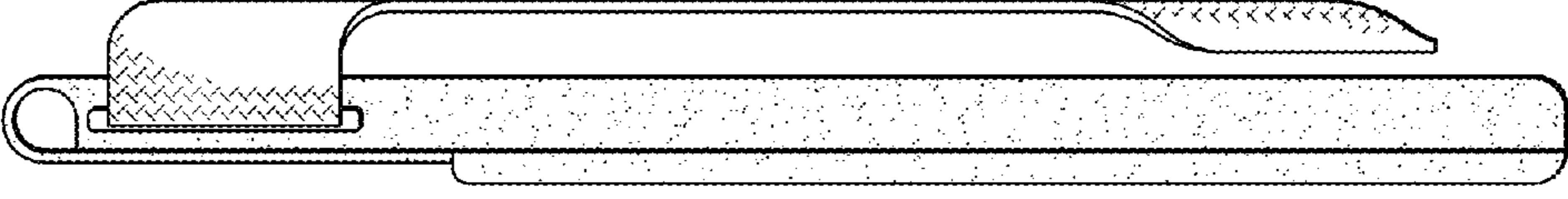


FIG. 4



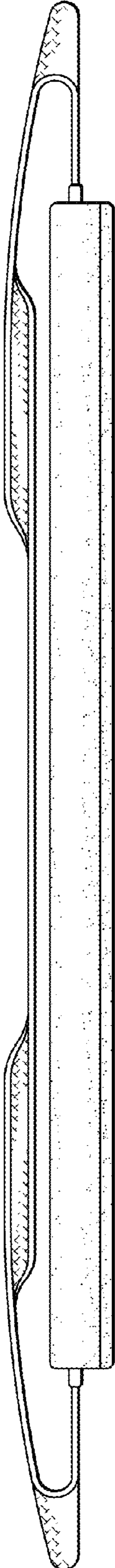


FIG. 6

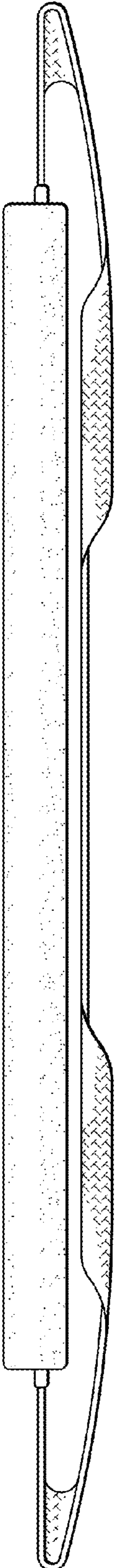


FIG. 7