



US00D688042S

(12) **United States Design Patent**
King

(10) **Patent No.:** **US D688,042 S**

(45) **Date of Patent:** **** Aug. 20, 2013**

(54) **BAMBOO CARRYING CASE**

(76) **Inventor:** **Steven Alfred King**, Sacramento, CA
(US)

(**) **Term:** **14 Years**

(21) **Appl. No.:** **29/423,450**

(22) **Filed:** **May 31, 2012**

(51) **LOC (9) Cl.** **03-01**

(52) **U.S. Cl.**
USPC **D3/276; D3/302**

(58) **Field of Classification Search**
USPC **D3/273, 276, 290.3, 302, 316, 254,**
D3/260; 190/100-127; 224/600
See application file for complete search history.

(56) **References Cited**

U.S. PATENT DOCUMENTS

D271,162 S *	11/1983	Evans	D3/254
D283,758 S *	5/1986	Stewart et al.	D7/703
D302,775 S *	8/1989	Sinoff et al.	D7/608
5,161,656 A *	11/1992	Brenner	190/111
D349,602 S *	8/1994	Denault	D3/300

D410,333 S *	6/1999	Coca	D3/260
D476,151 S *	6/2003	Peterson	D3/254
D478,726 S *	8/2003	Masso et al.	D3/300
D517,315 S *	3/2006	Amin	D3/273
D551,862 S *	10/2007	Gerry	D3/302

* cited by examiner

Primary Examiner — Jennifer Rivard

(74) *Attorney, Agent, or Firm* — QuickPatents; Kevin Prince

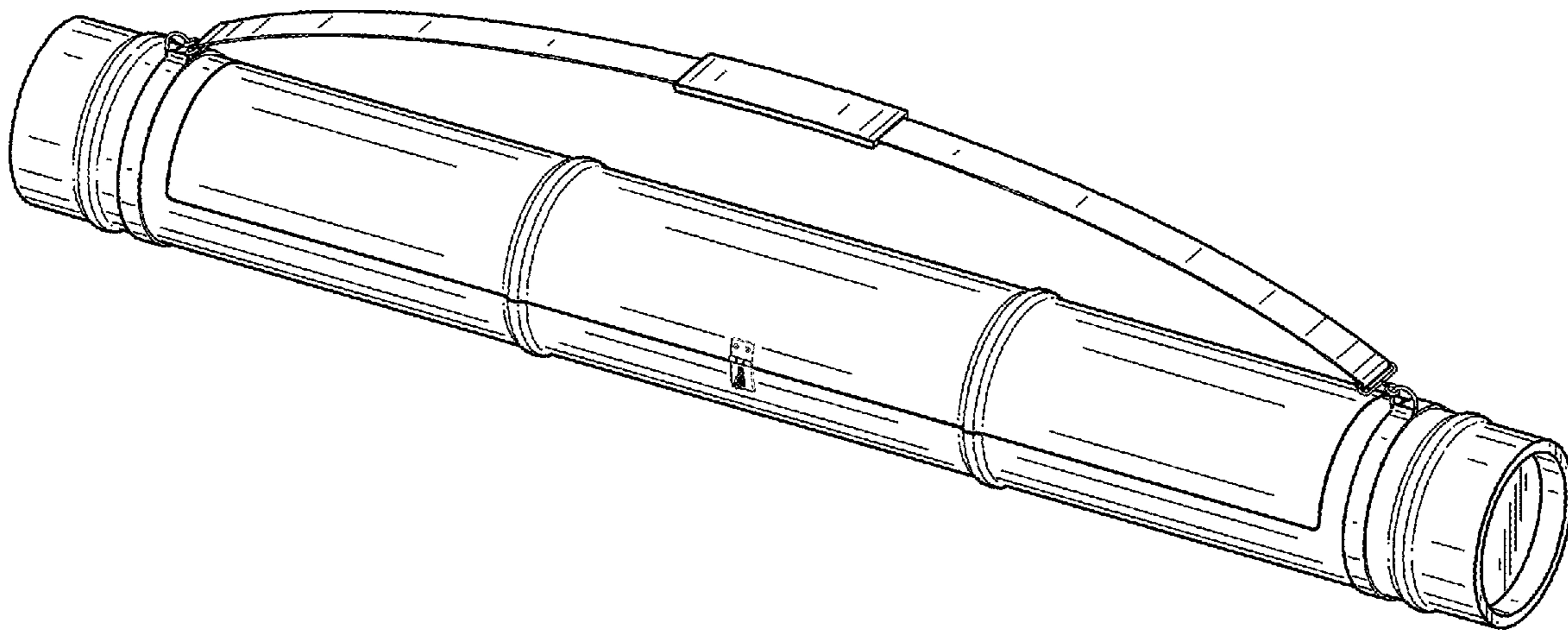
(57) **CLAIM**

I claim the ornamental design for a bamboo carrying case, as shown and described.

DESCRIPTION

FIG. 1 is a perspective view of a bamboo carrying case, showing my new design;
FIG. 2 is a front elevational view thereof;
FIG. 3 is a rear elevational view thereof;
FIG. 4 is a bottom plan view thereof;
FIG. 5 is a top plan view thereof; and,
FIG. 6 is a left-side elevational view thereof, the right-side elevational view being a mirror image thereof.

1 Claim, 3 Drawing Sheets



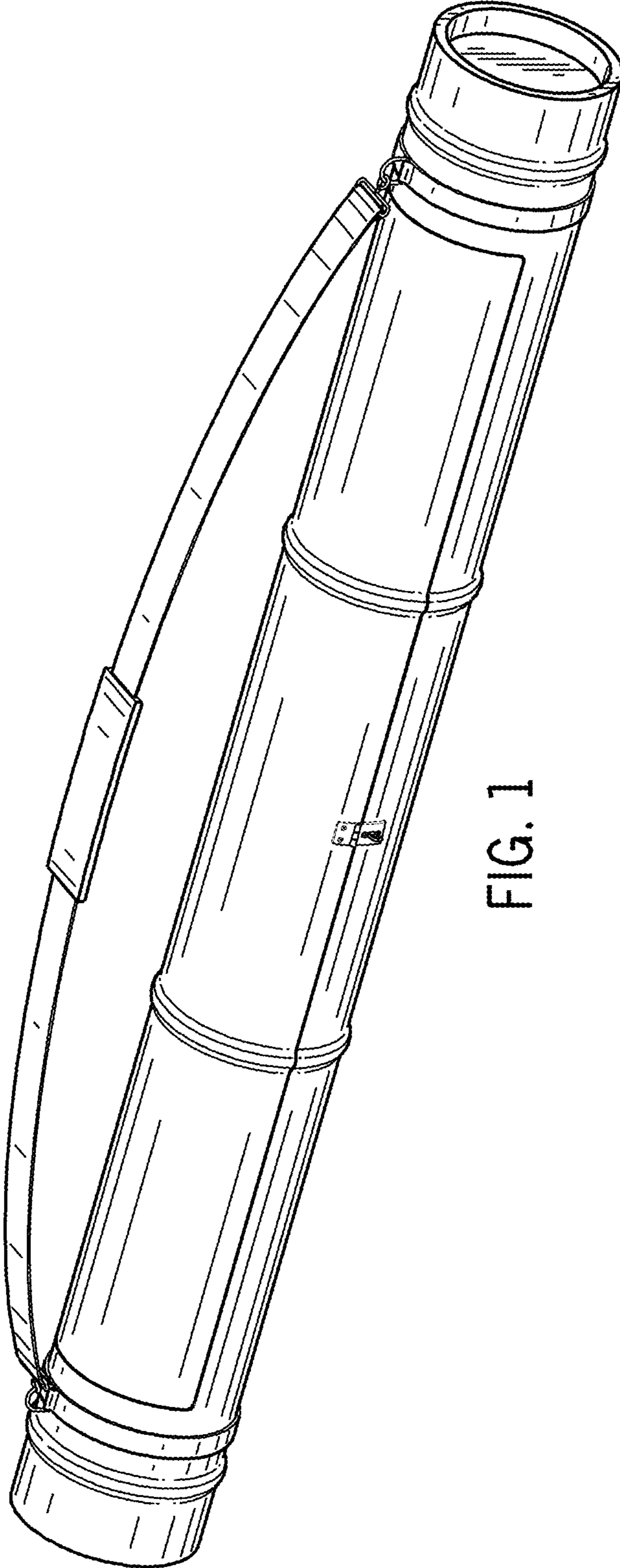


FIG. 1

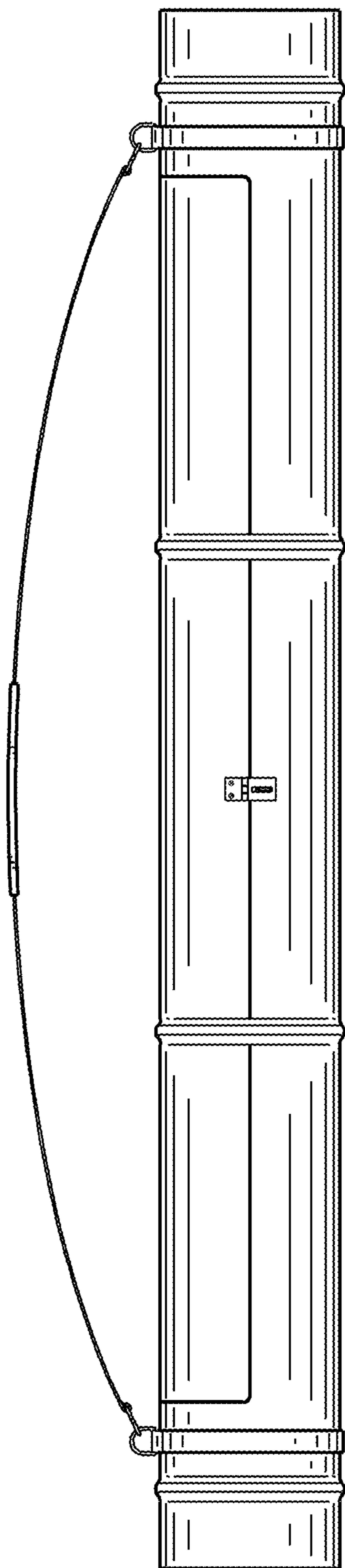


FIG. 2

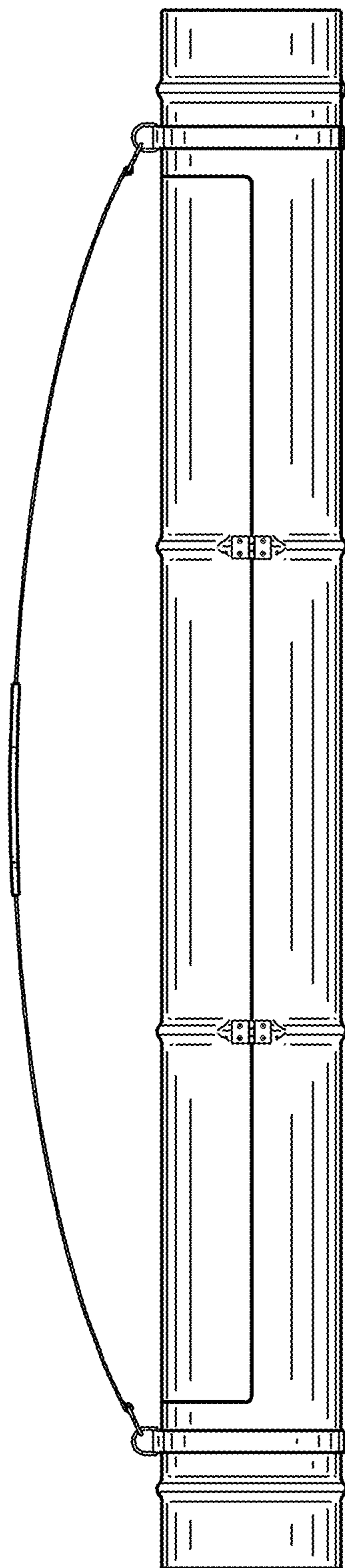


FIG. 3

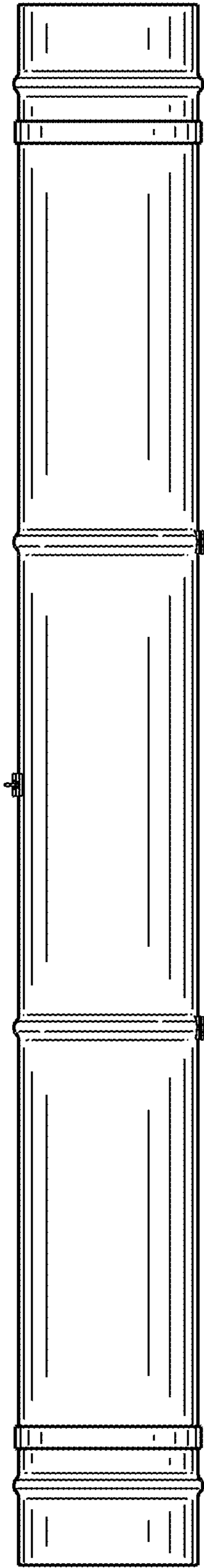


FIG. 4

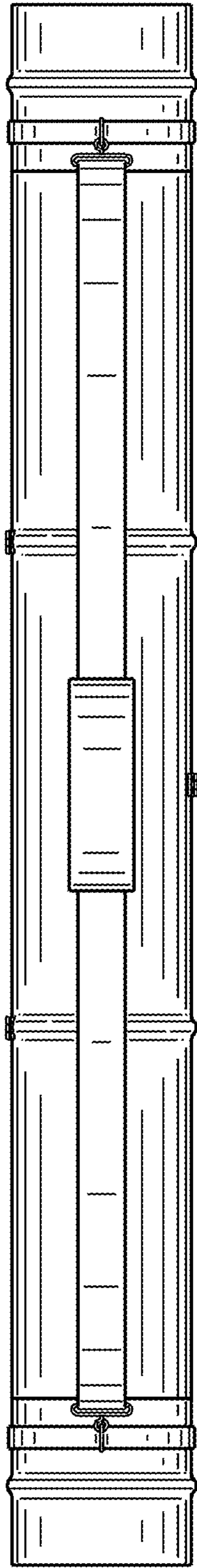


FIG. 5

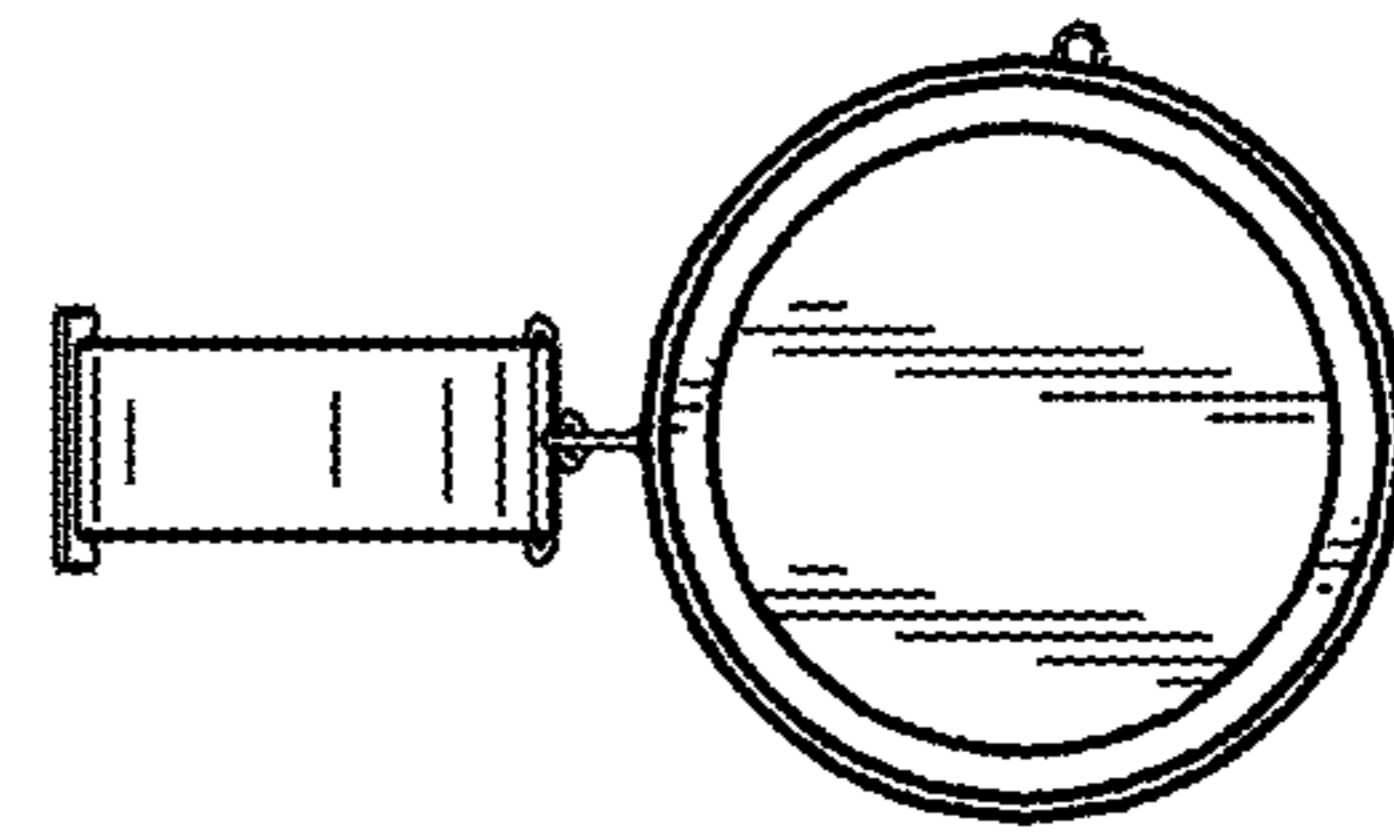


FIG. 6