



US00D688034S

(12) **United States Design Patent**
Hafif

(10) **Patent No.:** **US D688,034 S**

(45) **Date of Patent:** **** Aug. 20, 2013**

- (54) **HAT**
- (75) Inventor: **Sam Hafif**, Brooklyn, NY (US)
- (73) Assignee: **USPA Accessories, LLC**, New York, NY (US)
- (**) Term: **14 Years**
- (21) Appl. No.: **29/407,170**
- (22) Filed: **Nov. 23, 2011**
- (51) **LOC (9) Cl.** **02-03**
- (52) **U.S. Cl.**
USPC **D2/893**; D2/866; D2/895
- (58) **Field of Classification Search**
USPC D2/865, 866, 869, 870, 873, 874,
D2/875, 877, 878, 879, 880, 881, 882, 886,
D2/891, 893, 895; D8/38, 40; 2/171, 175.1,
2/175.2, 175.7, 175.3, 175.9, 195.1, 209.11,
2/209.12, 209.13, 200.1; 81/3.09
See application file for complete search history.

(56) **References Cited**

U.S. PATENT DOCUMENTS

D231,313 S *	4/1974	Heelan	D8/38
4,633,740 A *	1/1987	Jacobs	81/3.09
D381,881 S *	8/1997	Shaul et al.	D8/40
D462,506 S *	9/2002	Davison, III	D2/869
6,442,762 B1 *	9/2002	Neumann	2/175.7
D532,185 S *	11/2006	St-Germain	D2/866

D540,130 S *	4/2007	Wysopal	D8/34
D550,931 S *	9/2007	Valcourt	D2/866
D553,926 S *	10/2007	Velez	D8/40
D578,741 S	10/2008	Hernandez	
D586,539 S	2/2009	Hernandez	
D593,732 S *	6/2009	Tilley et al.	D2/886
D608,531 S *	1/2010	Kronenberger	D2/891
D612,132 S *	3/2010	Seade	D2/866
D617,083 S *	6/2010	Yun	D2/886
D626,726 S *	11/2010	Raible	D2/866
2005/0076420 A1 *	4/2005	Hafif	2/209.13
2012/0030860 A1 *	2/2012	Lovitz	2/209.13

* cited by examiner

Primary Examiner — Karen E Eldridge Powers

(74) *Attorney, Agent, or Firm* — Gottlieb, Rackman & Reisman, P.C.

(57) **CLAIM**

The ornamental design for a hat, as shown and described.

DESCRIPTION

FIG. 1 is a perspective view of the hat showing my new design;

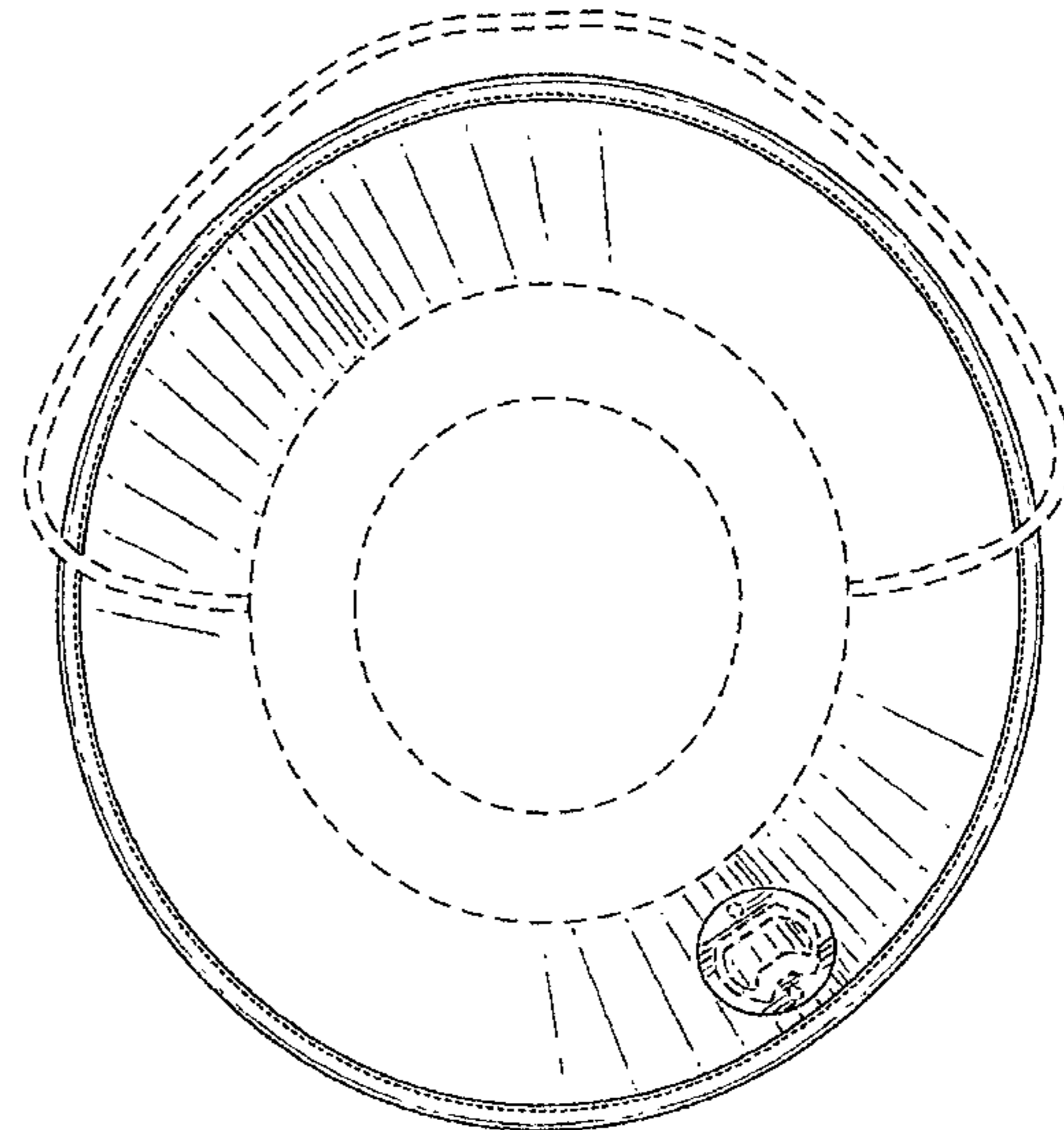
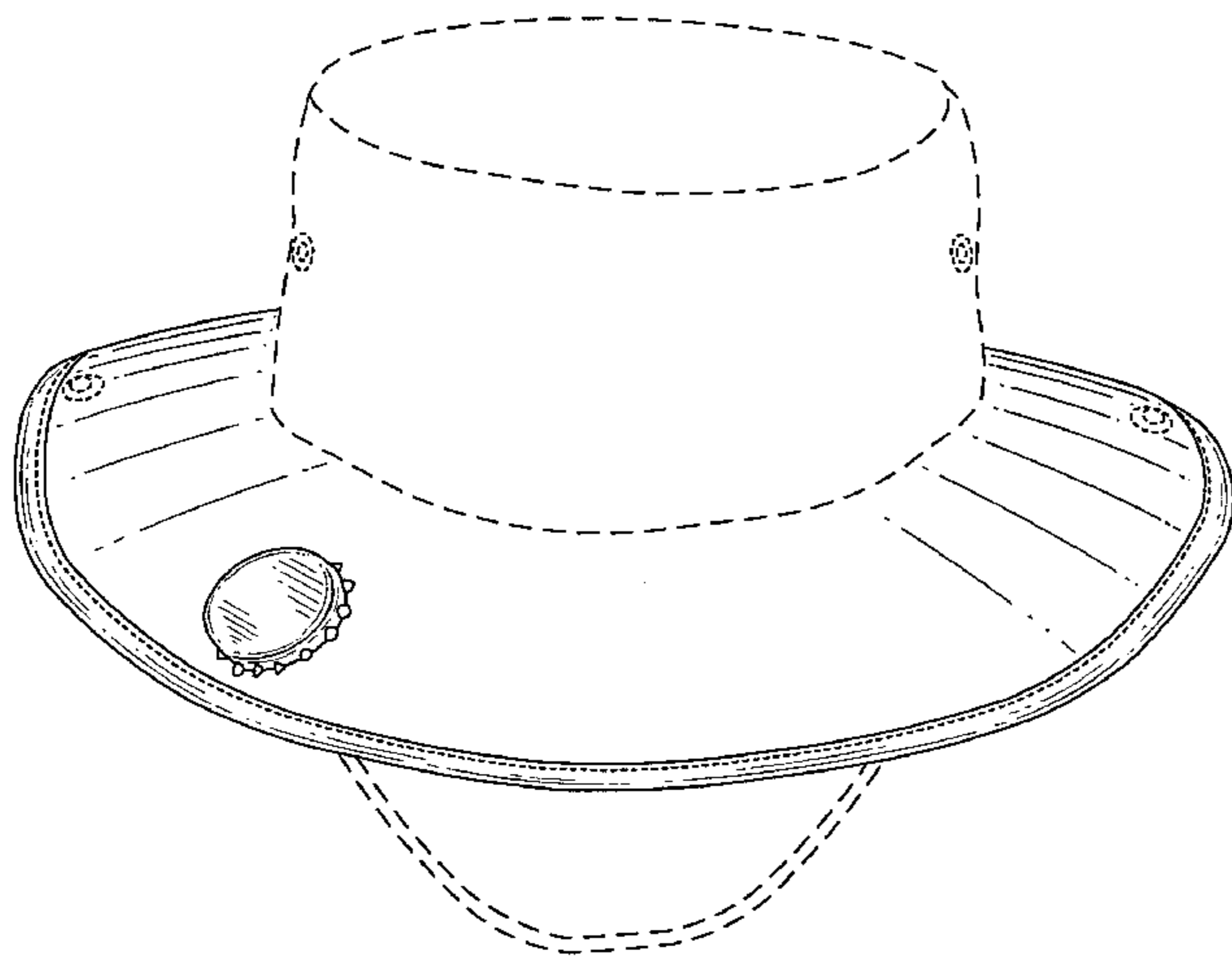
FIG. 2 is a top plan view thereof;

FIG. 3 is a bottom plan view thereof; and,

FIG. 4 is a front elevational view thereof.

The finely-incremented broken lines shown on the edge of the brim of the hat are stitching and form a part of the claimed design. The remaining broken lines in the drawings illustrate unclaimed features.

1 Claim, 4 Drawing Sheets



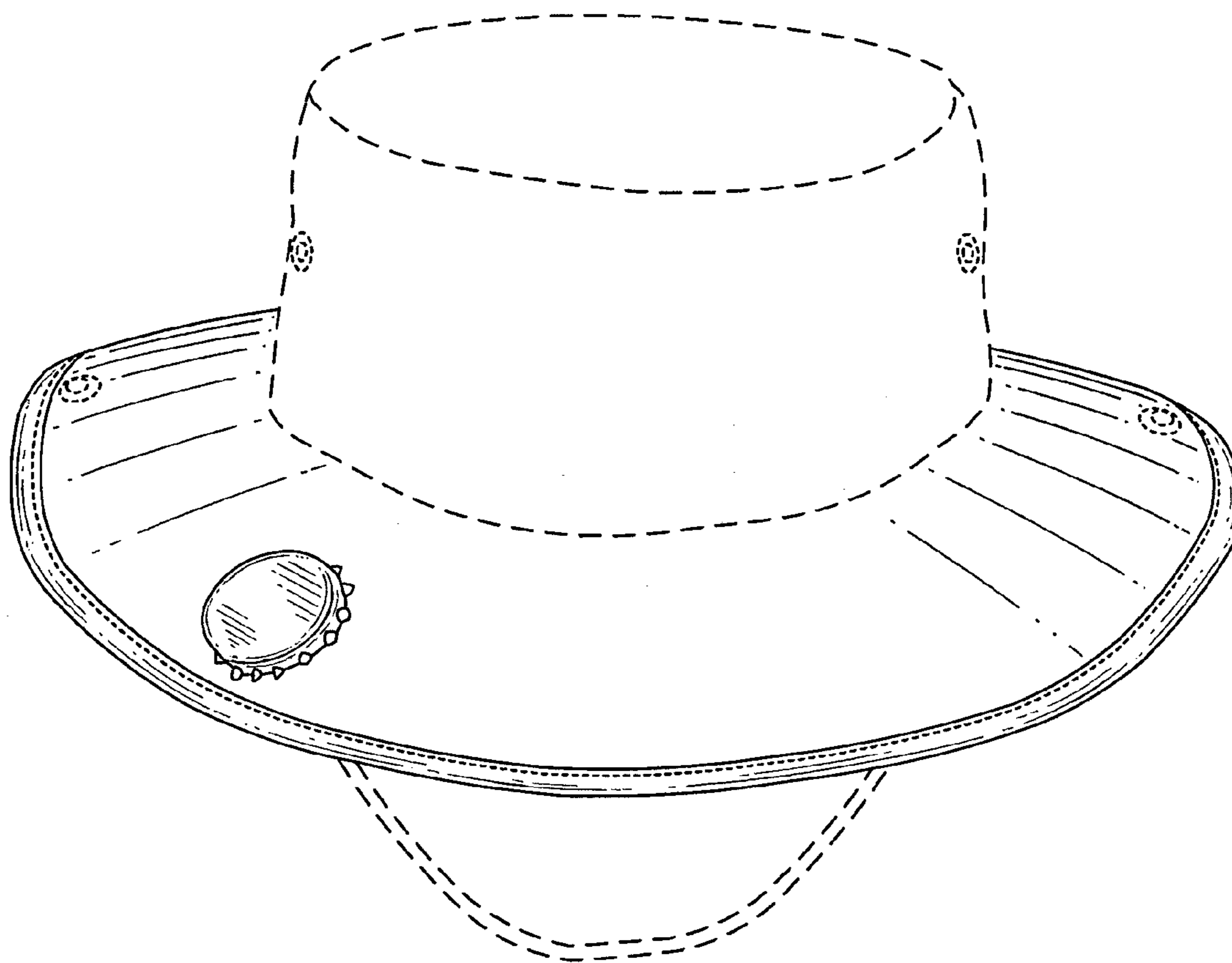


FIG. 1

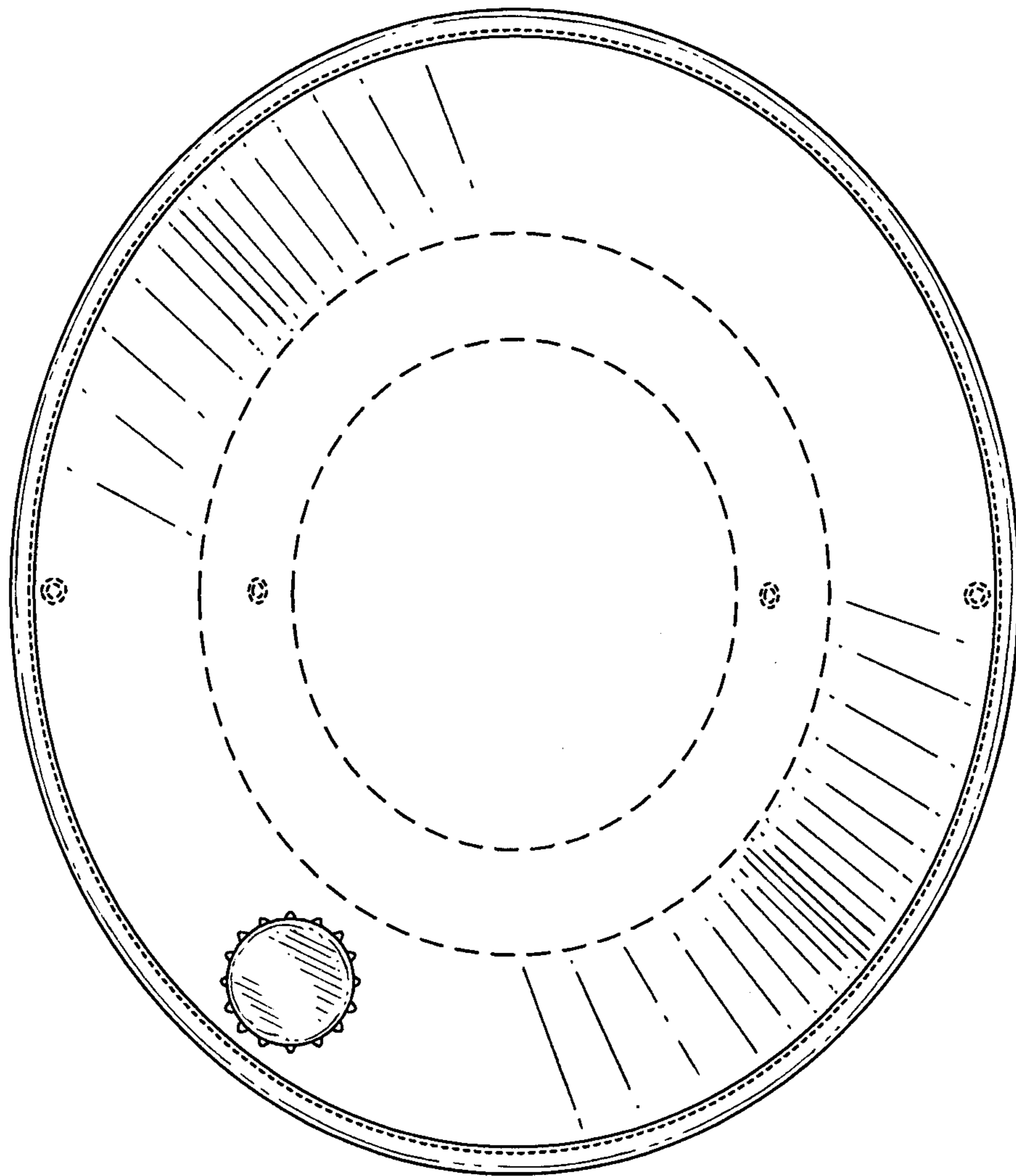


FIG. 2

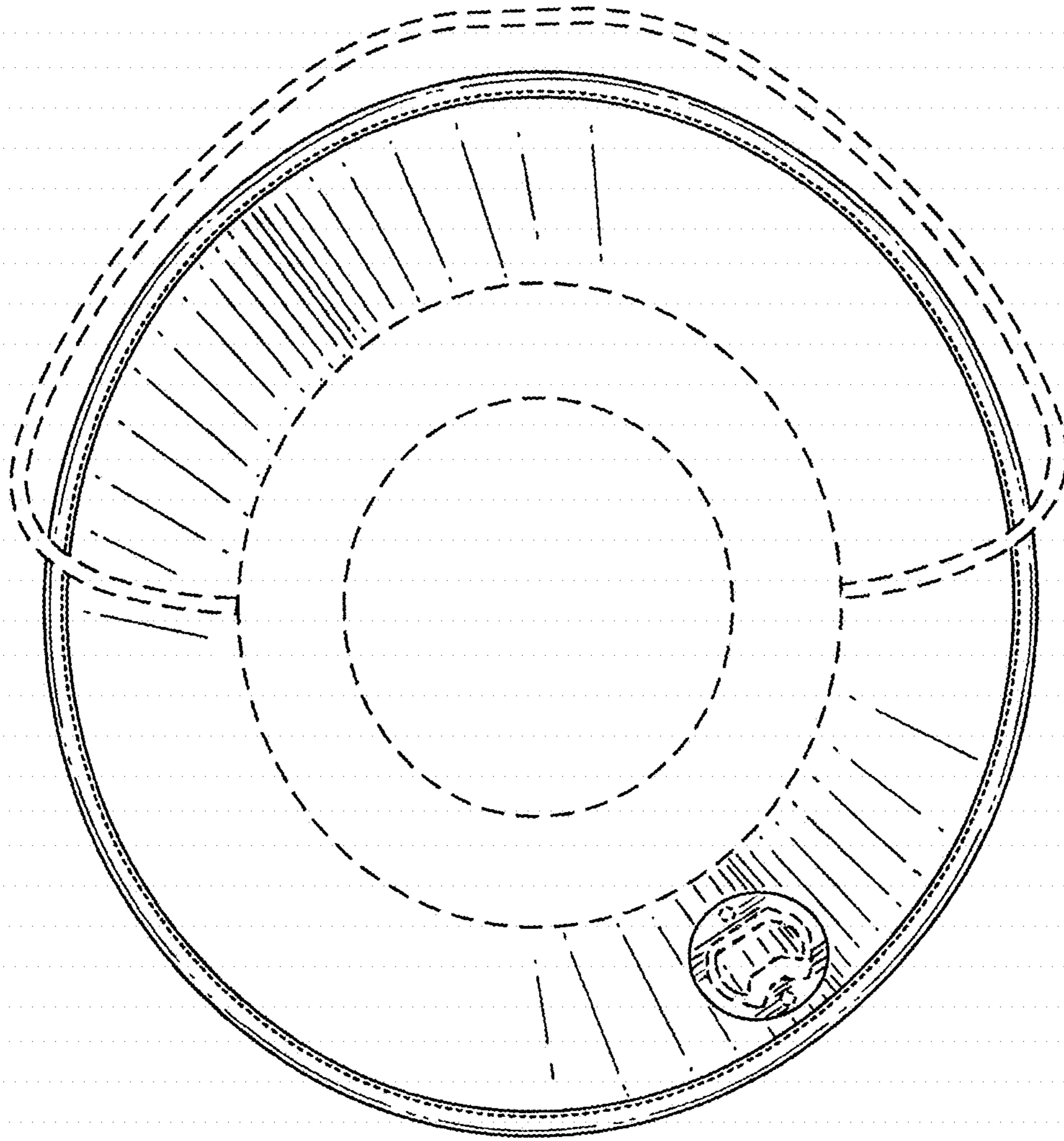


FIG. 3

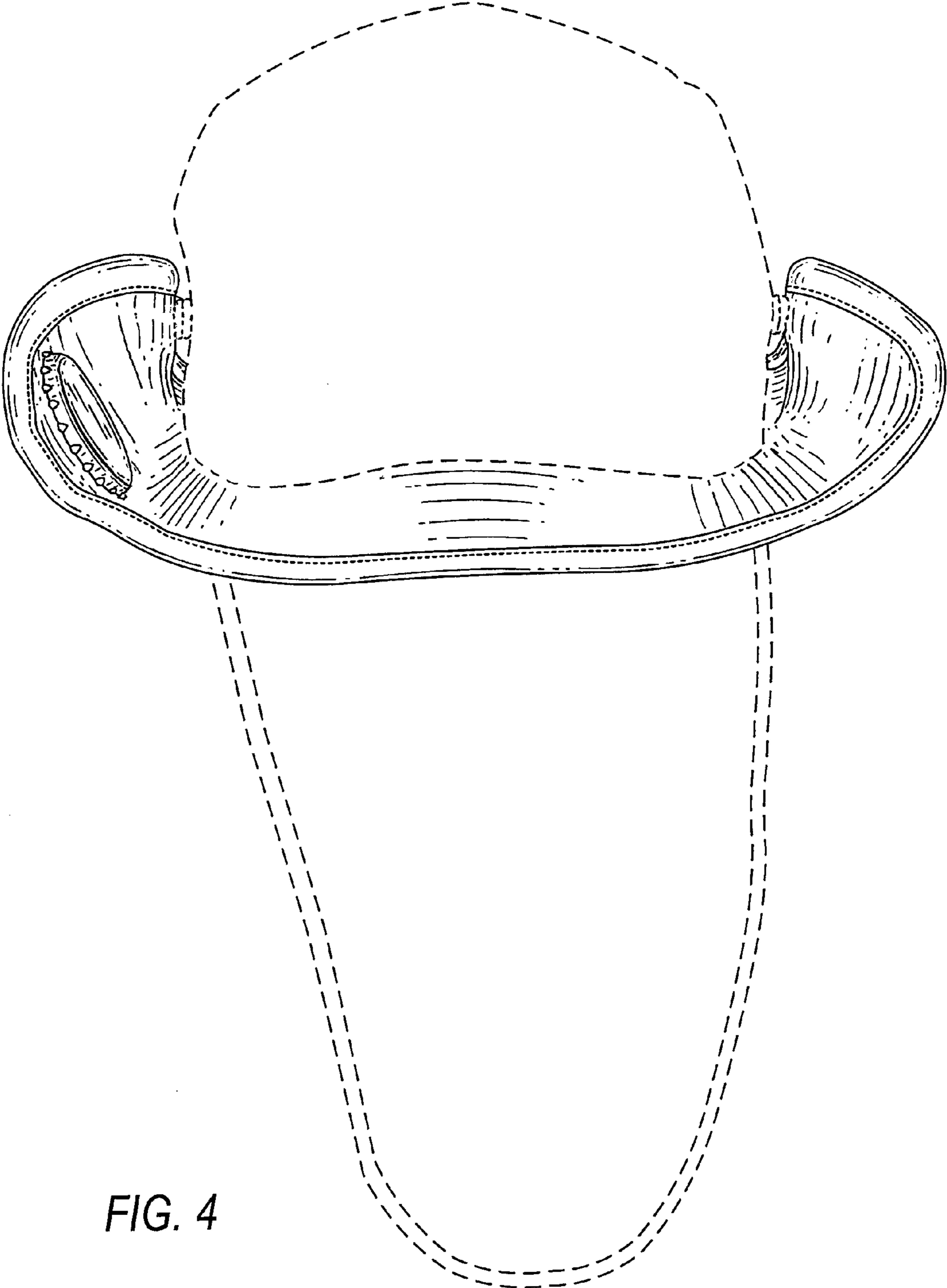


FIG. 4