



US00D688031S

(12) **United States Design Patent**
Kim

(10) **Patent No.:** **US D688,031 S**

(45) **Date of Patent:** **** Aug. 20, 2013**

(54) **COMBINATION OF TIES FOR RETAIL DISPLAY**

(75) Inventor: **Cin Kim**, Alpine, NJ (US)

(73) Assignee: **Peacock Apparel Group, Inc.**, New York, NY (US)

(**) Term: **14 Years**

(21) Appl. No.: **29/428,034**

(22) Filed: **Jul. 25, 2012**

Related U.S. Application Data

(62) Division of application No. 29/392,507, filed on May 23, 2011, now Pat. No. Des. 666,382.

(51) **LOC (9) Cl.** **02-06**

(52) **U.S. Cl.**
USPC **D2/605; D9/722**

(58) **Field of Classification Search**
USPC D2/600, 601, 602, 603, 604, 605, D2/606, 607, 608, 609; D6/315; D9/702, D9/711, 721, 722, 414, 415, 457; 2/130, 2/144, 145, 146, 147, 148, 149, 150, 151, 2/152.1, 153, 154, 155, 156, 157; 206/278, 206/288, 289, 292, 495; 223/85, 87, 88; 248/340

See application file for complete search history.

(56) **References Cited**

U.S. PATENT DOCUMENTS

698,266	A	4/1902	Elliott	
982,948	A	1/1911	Griesemer	
1,005,835	A *	10/1911	Hill	2/146
1,125,793	A *	1/1915	Barnes	2/150
1,163,308	A *	12/1915	Bachrach	2/148
1,253,457	A	1/1918	Atkinson	
1,862,353	A	6/1932	Allison	
1,878,604	A *	9/1932	Rodeback	2/150

1,995,864	A	3/1935	Reinhold	
2,063,255	A	12/1936	Kim	
2,093,830	A	9/1937	Flatley	
2,233,207	A	2/1941	Gillam	
2,626,735	A *	1/1953	Gwinn et al.	223/87
2,656,543	A *	10/1953	Cohan	2/146
D171,897	S *	4/1954	La Barre	D6/315
2,889,934	A *	6/1959	Vidach	223/85
2,907,045	A	10/1959	O'Reilly	
D189,899	S *	3/1961	Levine	D6/315
3,032,242	A *	5/1962	Roberts	223/87
3,043,494	A	7/1962	Kim	
3,060,448	A	10/1962	Mongelli	
3,066,792	A	12/1962	Spilman	
3,069,009	A *	12/1962	Hoeflich	206/284
D202,316	S *	9/1965	Pehr	D6/315
3,204,838	A *	9/1965	Pulitzer	223/87
3,208,081	A *	9/1965	Scully	2/150
3,243,087	A *	3/1966	Pulitzer	223/87
3,308,935	A	3/1967	Cote	
3,346,881	A	10/1967	Mathison	

(Continued)

Primary Examiner — Karen E Eldridge Powers

(74) *Attorney, Agent, or Firm* — Leason Ellis LLP

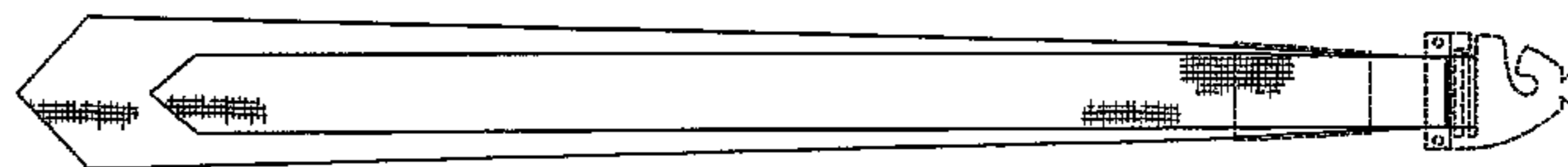
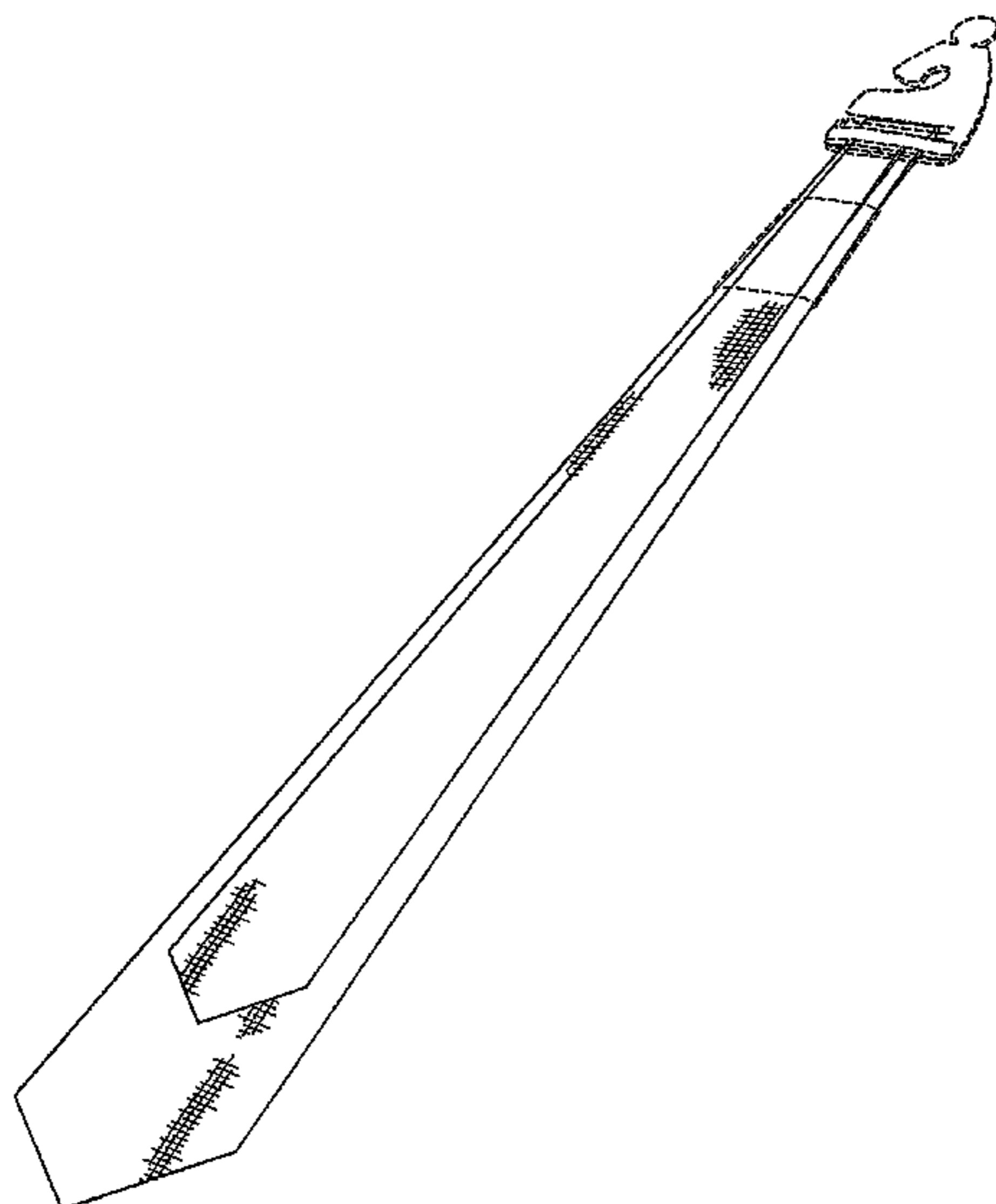
(57) **CLAIM**

The ornamental design for a combination of ties for retail display, as shown and described.

DESCRIPTION

FIG. 1 is a front perspective view of a combination of ties for retail display showing my new design; FIG. 2 is a front elevation view thereof; FIG. 3 is a rear elevation view thereof; FIG. 4 is a right side elevation view thereof; FIG. 5 is a left side elevation view thereof; FIG. 6 is a top plan view thereof; and, FIG. 7 is a bottom plan view thereof. The hanger and bands shown in broken lines illustrate features that form no part of the claimed design.

1 Claim, 3 Drawing Sheets



(56)

References Cited

U.S. PATENT DOCUMENTS

3,363,264 A	1/1968	Mathison		6,126,000 A	10/2000	Tung	
3,370,765 A *	2/1968	Jossem	223/87	6,142,365 A	11/2000	Breitbach	
D211,445 S *	6/1968	Klaus	D2/605	6,209,136 B1 *	4/2001	Ophardt	2/145
3,456,853 A *	7/1969	Hodge	223/87	6,460,189 B1	10/2002	Welch	
3,506,978 A	4/1970	Santona Aldo		6,499,590 B1	12/2002	Godshaw et al.	
3,511,364 A	5/1970	Airido		D481,191 S *	10/2003	Mattioli	D2/605
3,670,881 A	6/1972	Dutcher		D492,595 S	7/2004	Chang	
3,790,045 A *	2/1974	Rigel et al.	223/87	6,901,636 B2	6/2005	Kim	
3,890,678 A	6/1975	Leonard		6,978,518 B2	12/2005	Kim	
3,964,105 A	6/1976	Gideon		7,096,509 B2	8/2006	Kim	
3,999,222 A	12/1976	Walborn		7,114,220 B2	10/2006	Kim	
4,046,253 A	9/1977	Weaver		D546,674 S	7/2007	Limber	
4,173,792 A	11/1979	Intengan		D553,495 S	10/2007	Vandecasteele et al.	
4,182,224 A	1/1980	Dutcher		7,310,857 B2	12/2007	Kim	
D259,164 S *	5/1981	Abramowitz	D6/315	D565,965 S	4/2008	Kim	
D261,479 S	10/1981	Marks		D565,966 S	4/2008	Kim	
4,546,494 A	10/1985	Garber		D574,723 S	8/2008	Kim	
4,590,610 A	5/1986	Rhyne		D574,724 S	8/2008	Kim	
4,667,346 A	5/1987	Stollo		D574,725 S	8/2008	Kim	
4,762,272 A	8/1988	Herrin		D574,726 S	8/2008	Kim	
D299,383 S *	1/1989	Rosenbaum	D2/605	D574,727 S	8/2008	Kim	
4,856,709 A	8/1989	Axelsson et al.		D574,728 S	8/2008	Kim	
4,930,692 A *	6/1990	Smilow et al.	223/85	D574,730 S	8/2008	Kim	
4,933,991 A	6/1990	Love		7,441,678 B2 *	10/2008	Ford et al.	223/87
5,002,220 A	3/1991	Safranski		D589,364 S	3/2009	Kim	
5,222,638 A *	6/1993	Kolton et al.	223/87	D589,365 S	3/2009	Kim	
D343,356 S	1/1994	Wittman		D589,366 S	3/2009	Kim	
D346,960 S	5/1994	Bennett		D589,367 S	3/2009	Kim	
5,316,139 A	5/1994	Judd et al.		D590,724 S	4/2009	Kim	
5,328,065 A *	7/1994	Kolton et al.	223/85	D590,725 S	4/2009	Kim	
D349,181 S	8/1994	Cheng		D590,726 S	4/2009	Kim	
5,499,484 A	3/1996	Herrin		D593,872 S	6/2009	Kim	
D368,588 S	4/1996	Goraleski et al.		D593,873 S	6/2009	Kim	
5,549,243 A	8/1996	Dorier et al.		D595,151 S	6/2009	Kim	
5,620,118 A *	4/1997	Kolton et al.	223/85	D596,951 S	7/2009	Kim	
5,673,434 A	10/1997	Risk		D596,952 S	7/2009	Kim	
D390,339 S	2/1998	Dipietro		7,621,393 B2	11/2009	Kim	
5,774,893 A	7/1998	Torres		D606,883 S	12/2009	Kim	
5,826,760 A *	10/1998	Kolton et al.	223/85	7,757,306 B2 *	7/2010	Mattioli	2/144
6,041,998 A	3/2000	Goldberg et al.		7,874,423 B2 *	1/2011	Chang	206/292
6,102,279 A	8/2000	Dowd		2005/0067443 A1	3/2005	Kim	
6,105,833 A *	8/2000	Najarian	223/85	2007/0045131 A1	3/2007	Kim	
				2009/0032434 A1	2/2009	Kim	
				2010/0025269 A1	2/2010	Kim	

* cited by examiner

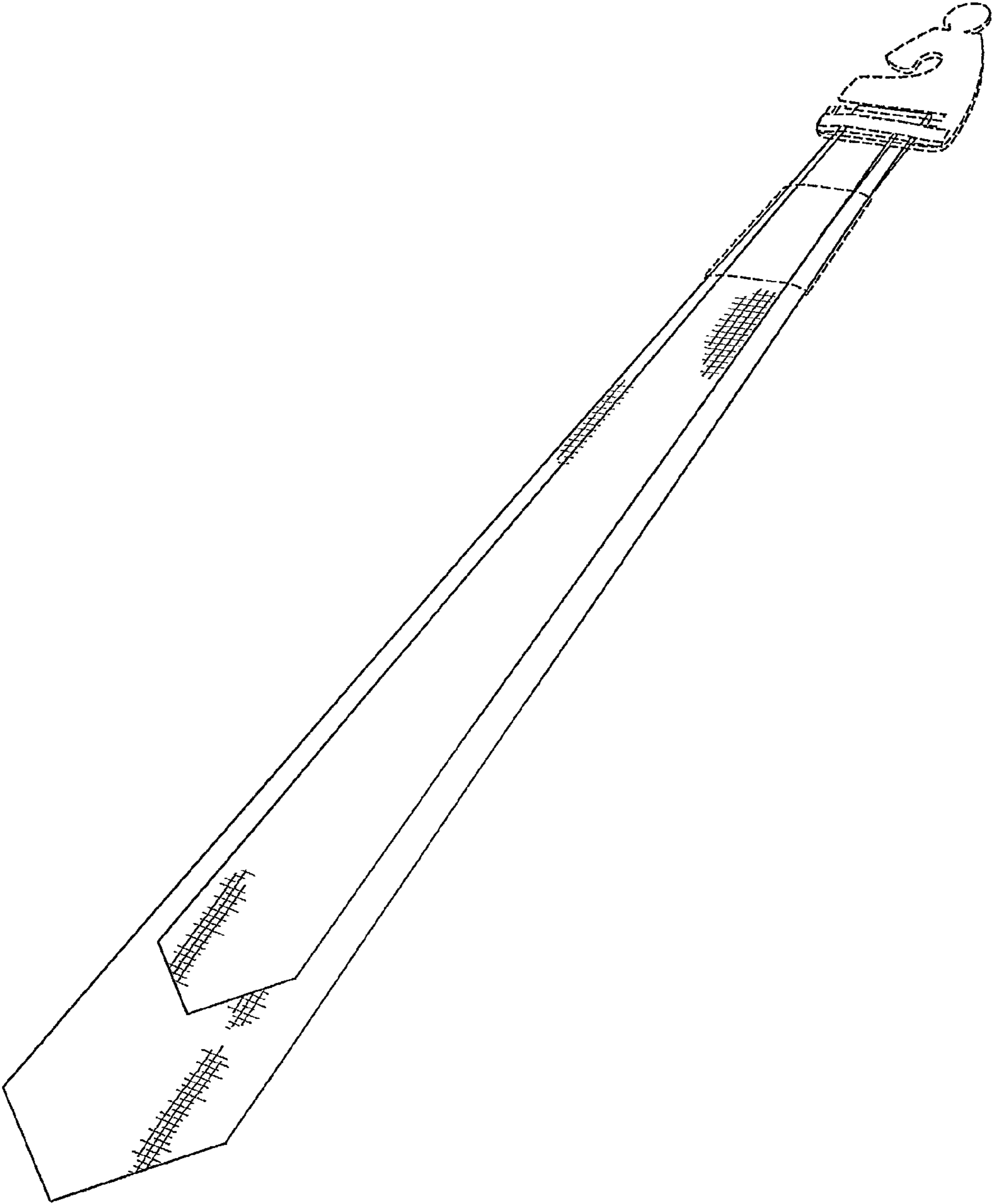


Fig. 1

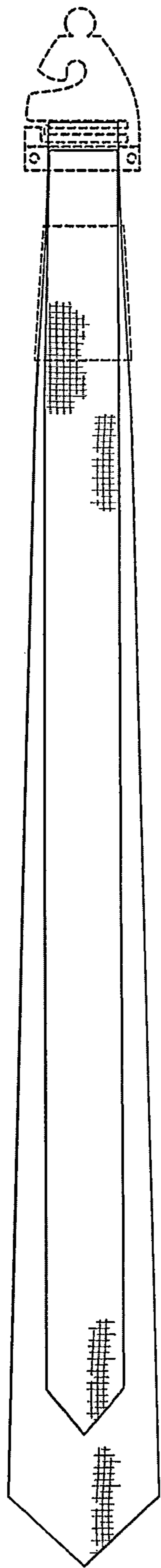


Fig. 2

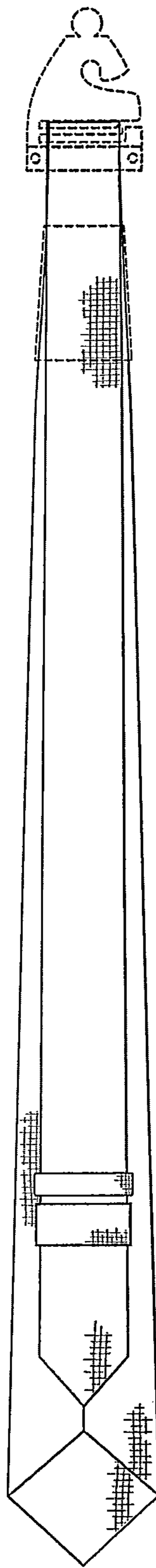


Fig. 3



Fig. 4



Fig. 5



Fig. 6



Fig. 7