



US00D688024S

(12) **United States Design Patent**
Metlen et al.

(10) **Patent No.:** **US D688,024 S**

(45) **Date of Patent:** **** Aug. 13, 2013**

(54) **SAFE**

(71) Applicant: **Neil Roberts**, Hillsborough, NJ (US)

(72) Inventors: **Todd Metlen**, Ojai, CA (US); **Eli Probst**, Thousand Oaks, CA (US)

(73) Assignee: **Neil Roberts**, Hillsborough, NJ (US)

(**) Term: **14 Years**

(21) Appl. No.: **29/434,754**

(22) Filed: **Oct. 16, 2012**

(51) **LOC (9) Cl.** **99-00**

(52) **U.S. Cl.**
USPC **D99/28**

(58) **Field of Classification Search**
USPC D99/28, 34, 35, 36, 43, 99; 109/1 R,
109/1 V, 2, 45, 49.5, 52, 58, 59 R, 78; 206/0.8,
206/0.81, 0.815, 0.82, 317, 527; 902/9
See application file for complete search history.

(56) **References Cited**

U.S. PATENT DOCUMENTS

166,107	A	7/1875	Hyatt	
746,205	A *	12/1903	Valentine	232/4 R
1,447,462	A	3/1923	Butscher et al.	
D103,629	S	3/1937	Davis	
D118,366	S	1/1940	Davis	
D273,908	S *	5/1984	Hoogeveen	D99/28
D281,920	S	12/1985	Lacka	
4,595,828	A	6/1986	Lundblad	
D289,582	S *	5/1987	Brush et al.	D3/281
4,669,394	A	6/1987	Fogleman et al.	
D291,019	S	7/1987	Druihet	
D291,139	S *	7/1987	Warwicker	D99/28
4,744,445	A *	5/1988	Anderson et al.	190/107
D297,195	S	8/1988	Warwicker	
D298,679	S	11/1988	Casini et al.	
D308,279	S	5/1990	Hill	
D314,406	S	2/1991	Lerch	

(Continued)

Primary Examiner — Elizabeth J Oswecki

(74) *Attorney, Agent, or Firm* — Sterne, Kessler, Goldstein & Fox PLLC

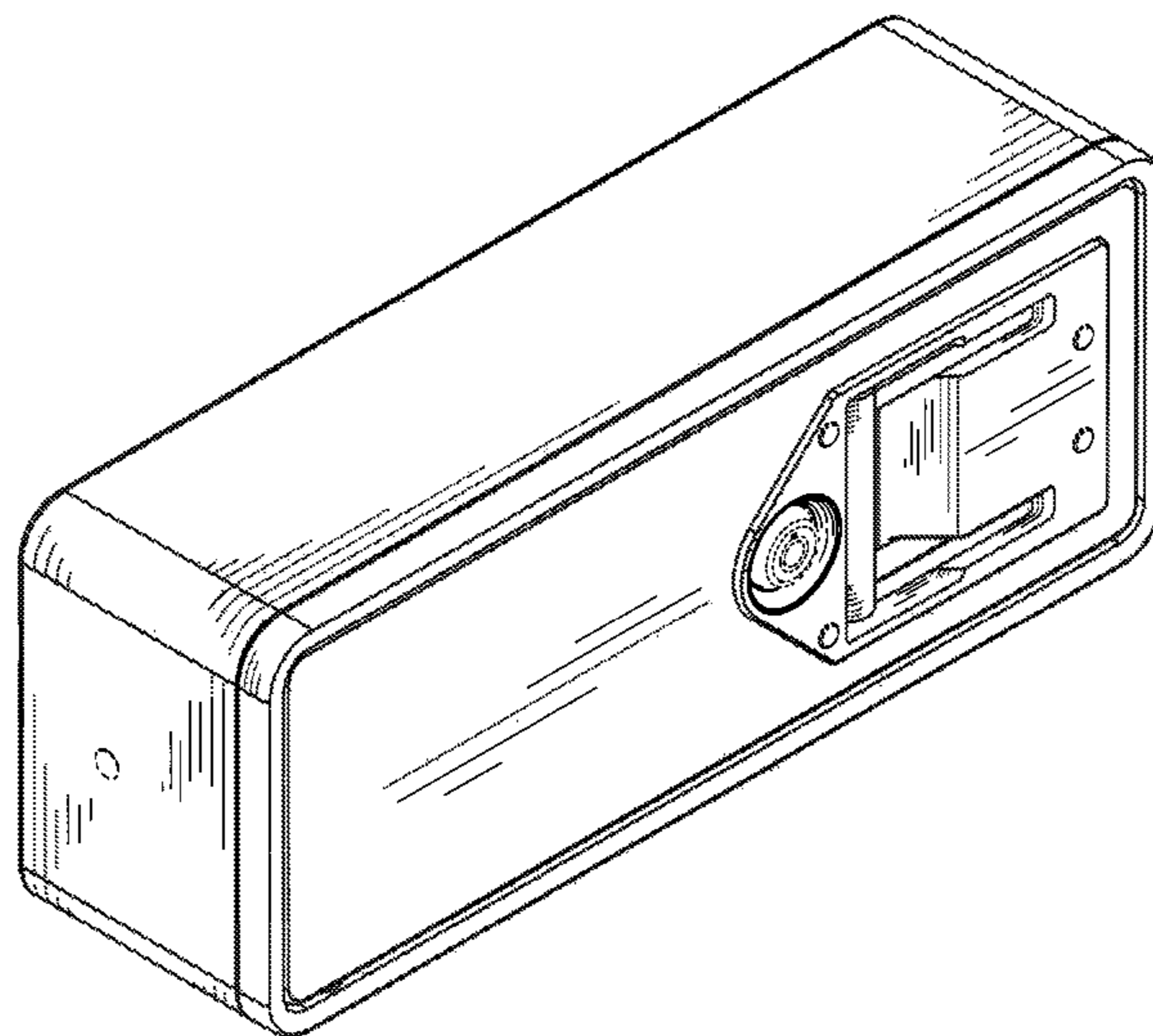
(57) **CLAIM**

The ornamental design for a safe, as shown and described.

DESCRIPTION

FIG. 1 is a front perspective view of a safe showing our new design;
 FIG. 2 is a top view thereof;
 FIG. 3 is a front view thereof;
 FIG. 4 is a bottom view thereof;
 FIG. 5 is a right side view thereof;
 FIG. 6 is a rear view thereof;
 FIG. 7 is a left side view thereof;
 FIG. 8 is an enlarged front elevation view of the handle of the safe, shown separately for ease of illustration;
 FIG. 9 is an enlarged side elevation view of the handle of the safe, shown separately for ease of illustration;
 FIG. 10 is a front perspective view of the handle of the safe, shown separately for ease of illustration;
 FIG. 11 is an enlarged top plan view of the handle plate of the safe, shown separately for ease of illustration;
 FIG. 12 is an enlarged left side elevation view of the handle plate of the safe, shown separately for ease of illustration;
 FIG. 13 is an enlarged front elevation view of the handle plate of the safe, shown separately for ease of illustration;
 FIG. 14 is an enlarged right side elevation view of the handle plate of the safe, shown separately for ease of illustration;
 FIG. 15 is an enlarged bottom plan view of the handle plate for the safe, shown separately for ease of illustration; and,
 FIG. 16 is a front perspective view of the handle plate of the safe, shown separately for ease of illustration.
 The broken lines form no part of the claimed design.

1 Claim, 5 Drawing Sheets



(56)

References Cited

U.S. PATENT DOCUMENTS

D354,835 S 1/1995 Brendel
 D380,793 S 7/1997 Conwell
 D393,526 S * 4/1998 Robey et al. D99/28
 D474,596 S * 5/2003 Osiecki et al. D3/273
 D485,041 S 1/2004 Paris et al.
 D485,042 S 1/2004 Paris et al.
 D485,419 S 1/2004 Paris et al.
 D485,960 S 1/2004 Paris et al.
 D487,179 S 2/2004 Traversie et al.
 D487,835 S 3/2004 Lynch et al.
 D490,206 S * 5/2004 Perella et al. D99/28
 D493,270 S 7/2004 Lynch et al.
 D493,936 S * 8/2004 Perella et al. D99/28
 D498,895 S 11/2004 Lynch et al.
 D503,024 S * 3/2005 Perella et al. D99/28
 D503,503 S * 3/2005 Perella et al. D99/28
 D504,990 S * 5/2005 Perella et al. D99/28
 D511,035 S * 10/2005 Perella et al. D99/28
 D557,875 S 12/2007 Stuhlberg et al.
 D560,875 S * 1/2008 Decarlo et al. D99/28

D572,425 S * 7/2008 Themistos D99/28
 D574,124 S * 7/2008 Huber D99/28
 D579,174 S * 10/2008 Decarlo et al. D99/28
 D580,625 S 11/2008 Ballok
 D617,974 S * 6/2010 Alfeld, Sr. D99/28
 D619,775 S 7/2010 Pendleton
 D620,675 S 7/2010 Doettingling
 D623,824 S 9/2010 Pendleton
 D624,275 S 9/2010 Min
 D634,915 S 3/2011 Nave et al.
 D635,324 S 3/2011 Plato
 D645,224 S 9/2011 Hunt et al.
 D645,225 S 9/2011 Hunt et al.
 D654,655 S 2/2012 Hunt et al.
 D664,325 S 7/2012 Hunt et al.
 D667,195 S * 9/2012 Guo D99/28
 D668,047 S * 10/2012 Cenzano et al. D3/272
 D669,244 S * 10/2012 Gustafson D99/28
 D671,742 S * 12/2012 Cenzano et al. D3/272
 D671,743 S * 12/2012 Cenzano et al. D3/272
 D677,463 S * 3/2013 Cenzano et al. D3/272
 2008/0196637 A1 * 8/2008 Howell et al. 109/38

* cited by examiner

FIG. 1

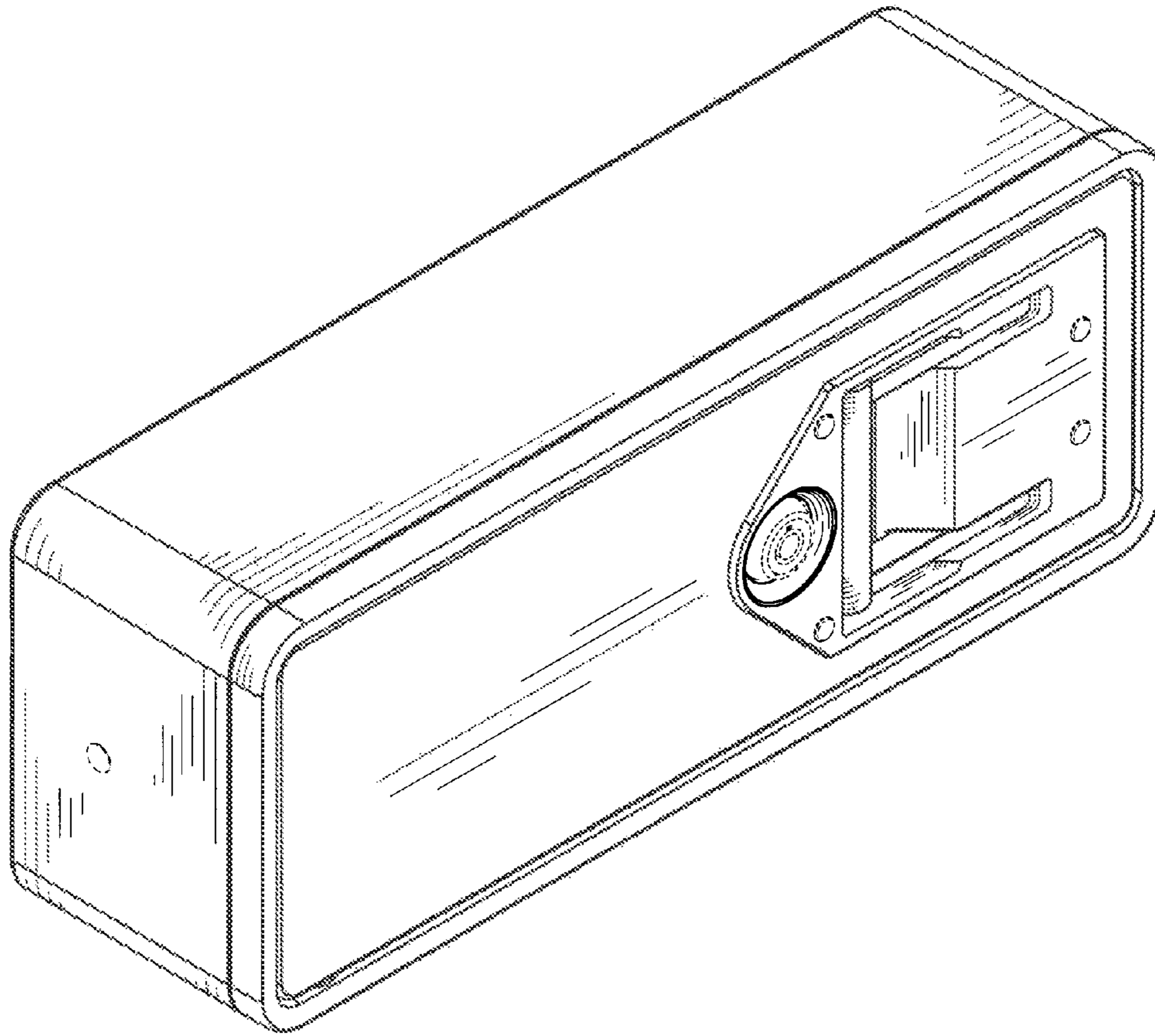


FIG. 2

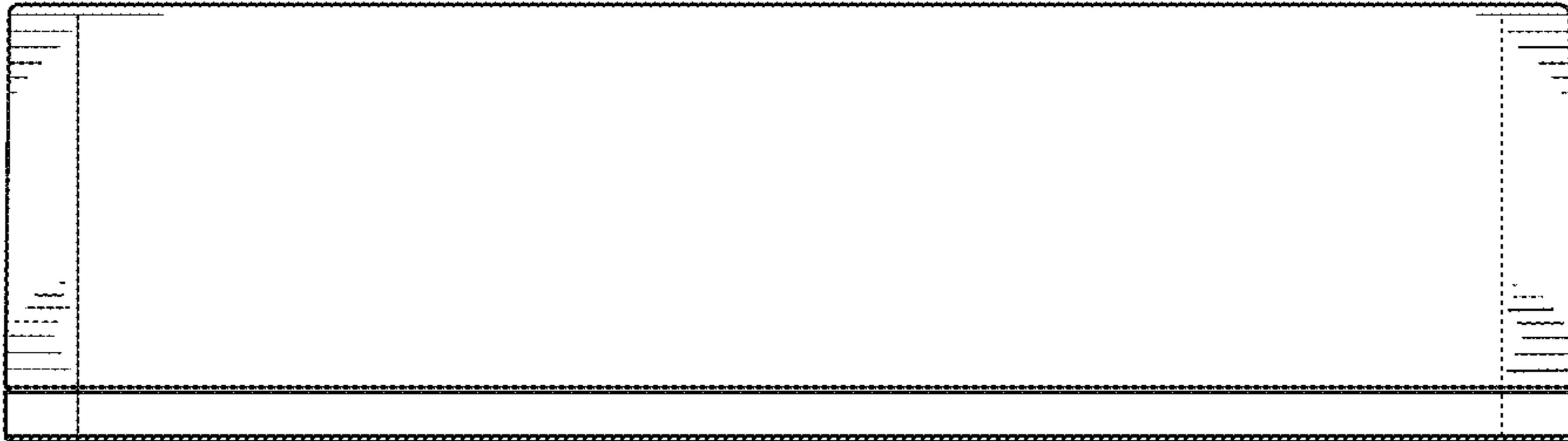


FIG. 3

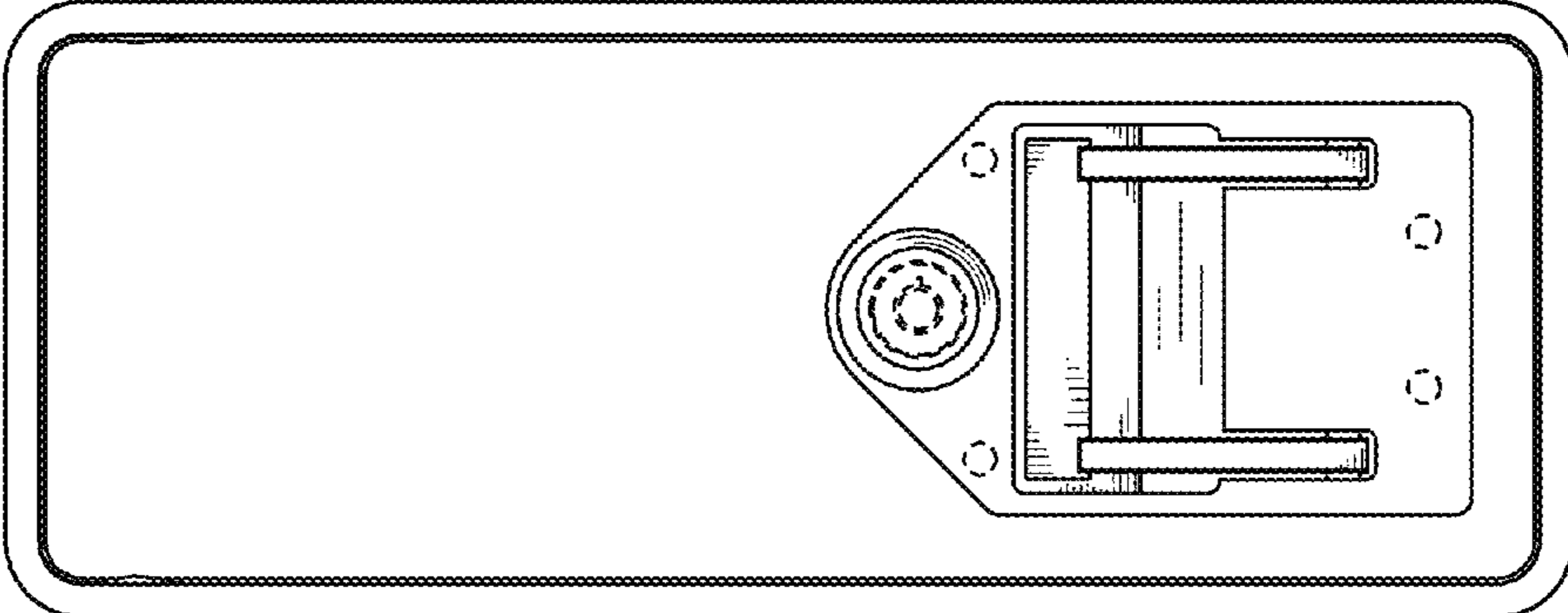


FIG. 4

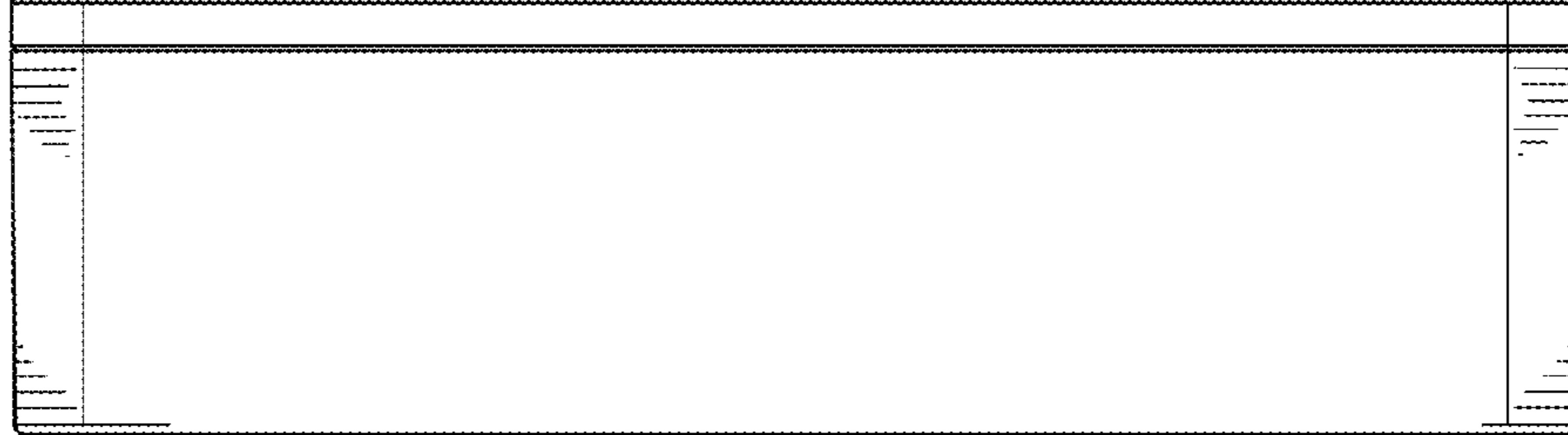


FIG. 5

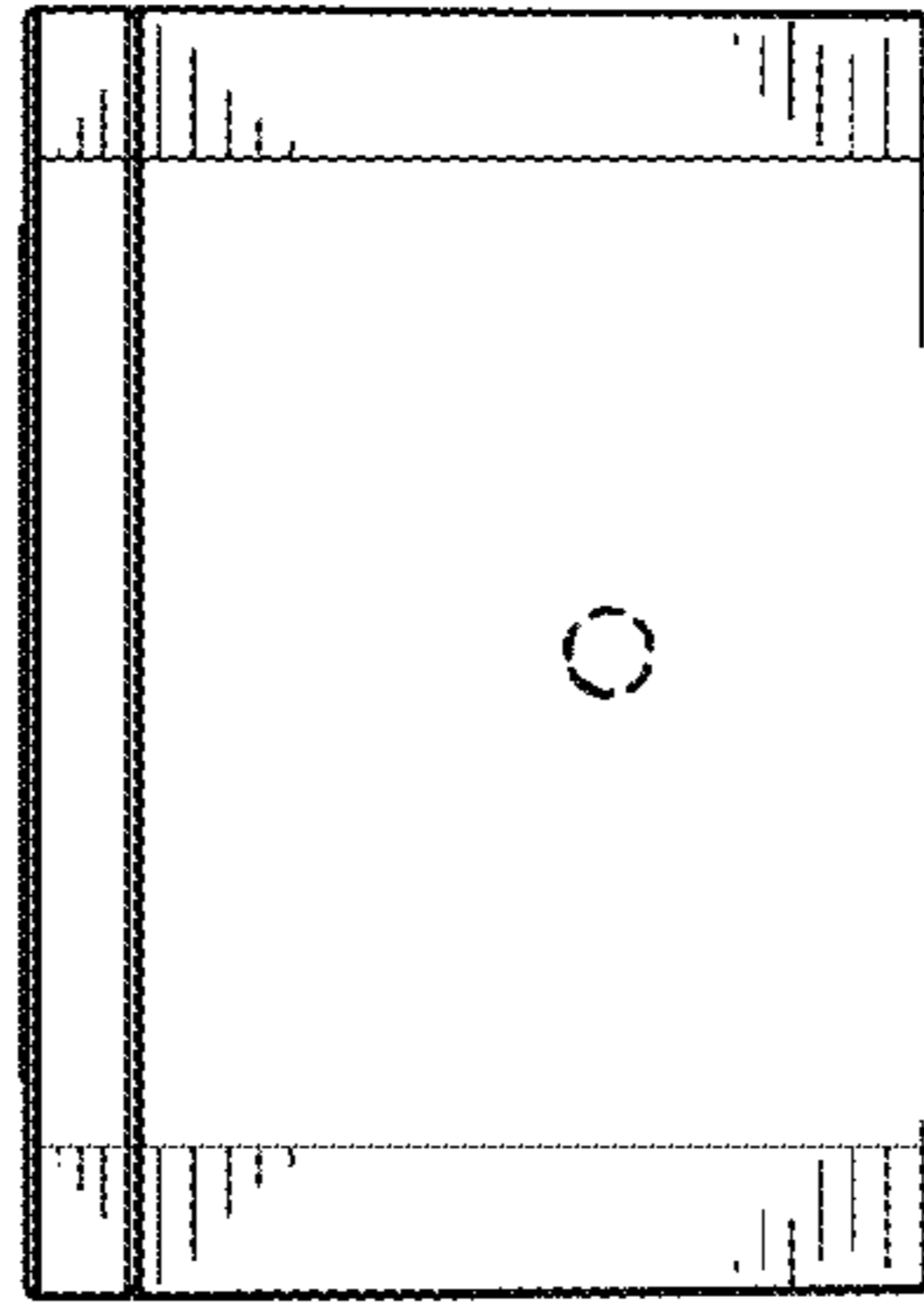


FIG. 6

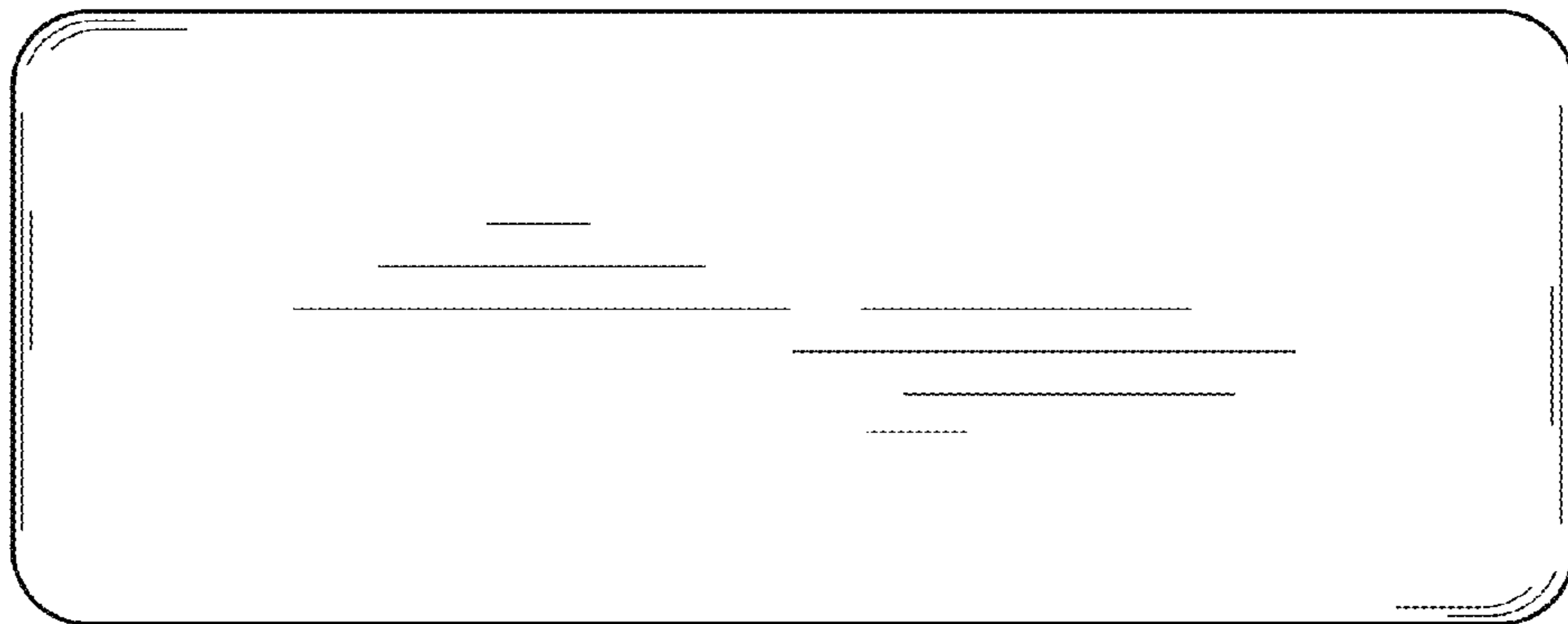


FIG. 7

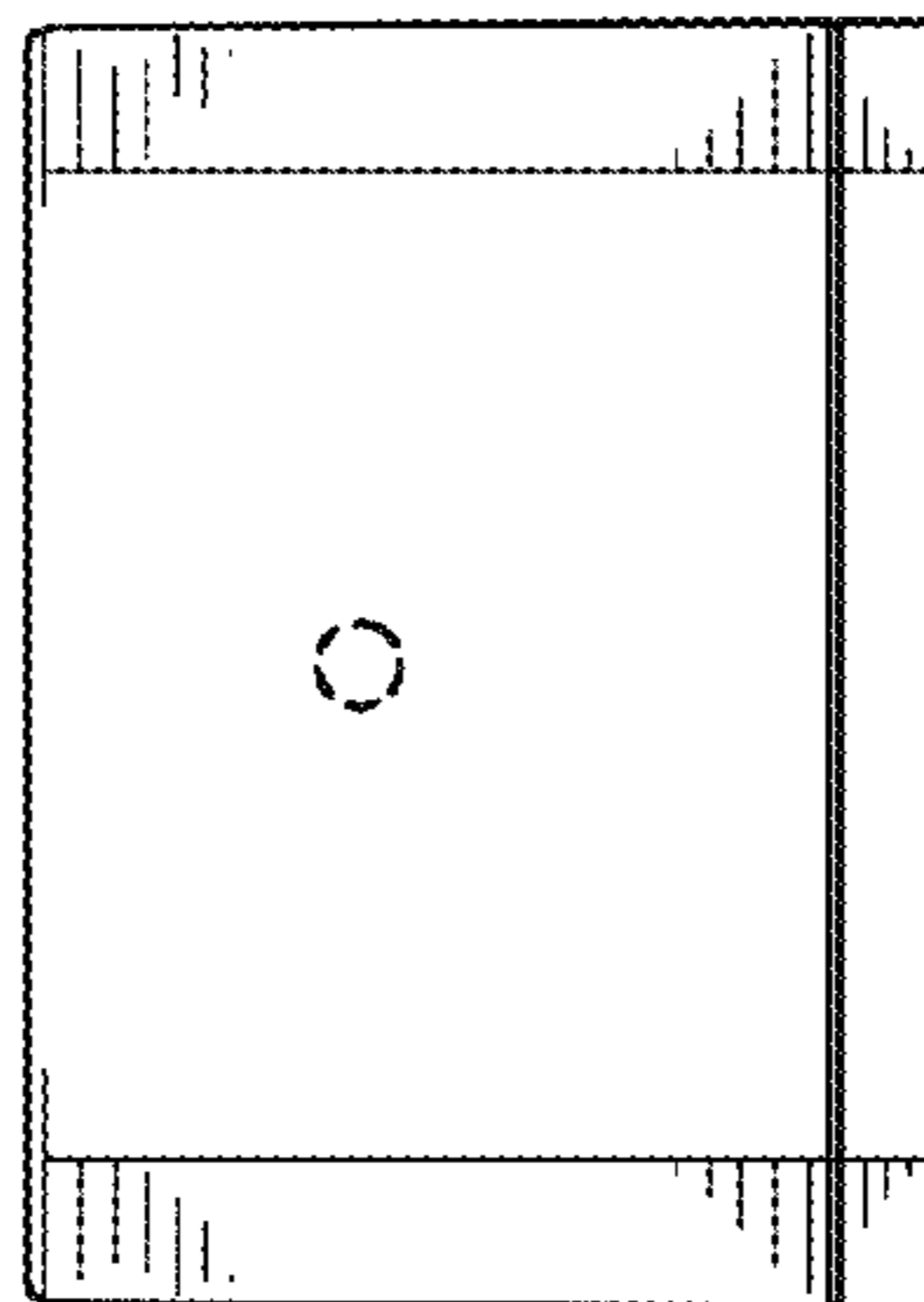


FIG. 8

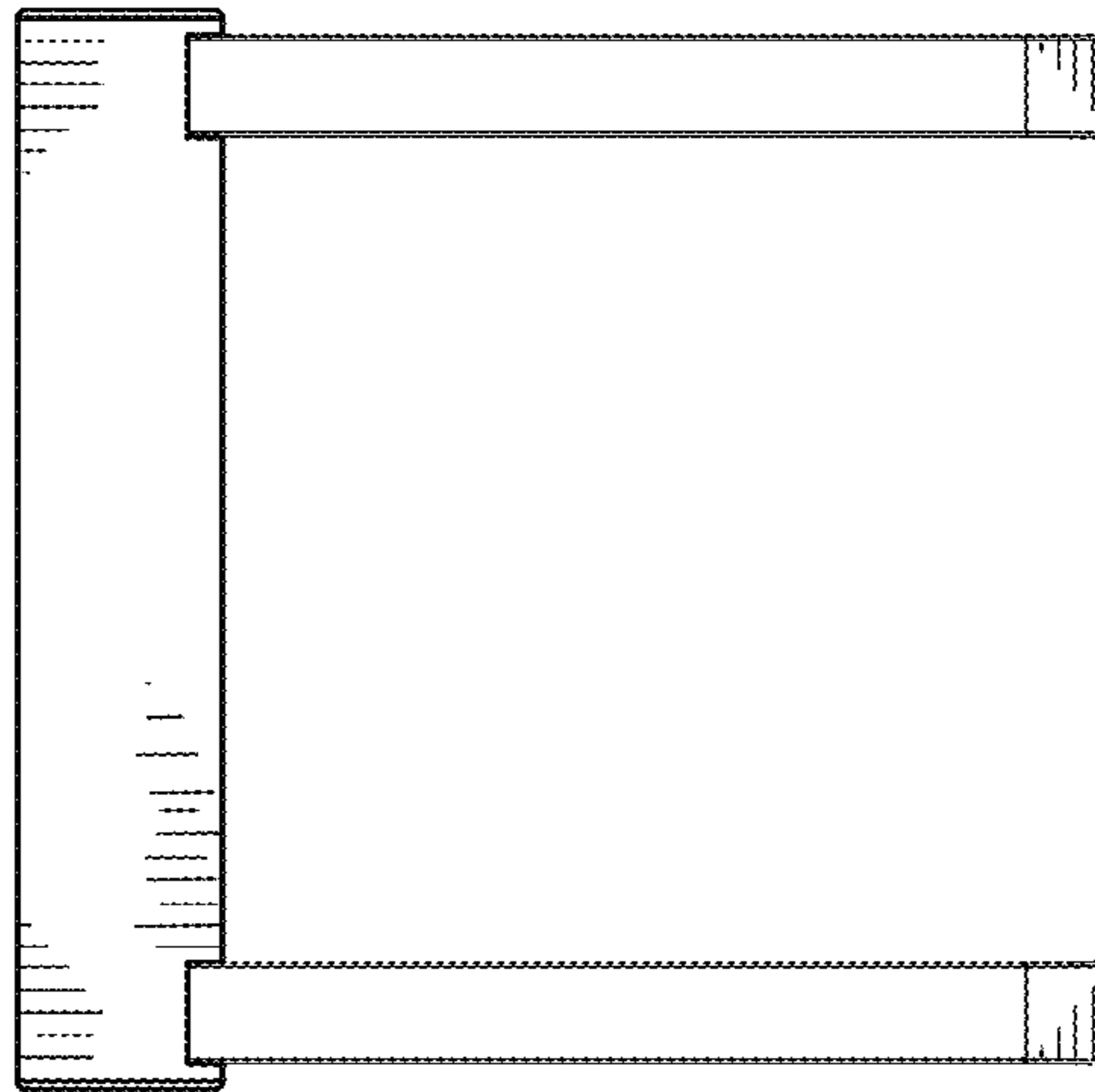


FIG. 9

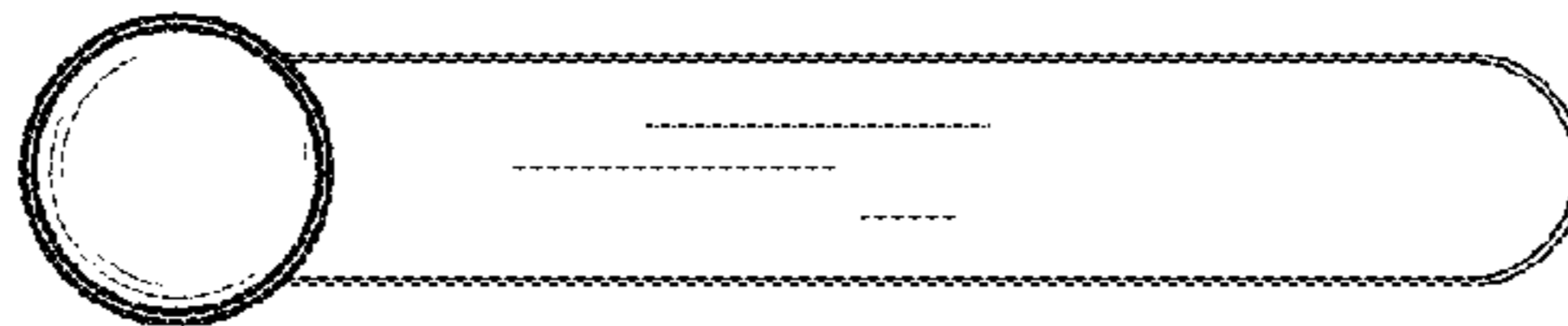


FIG. 10

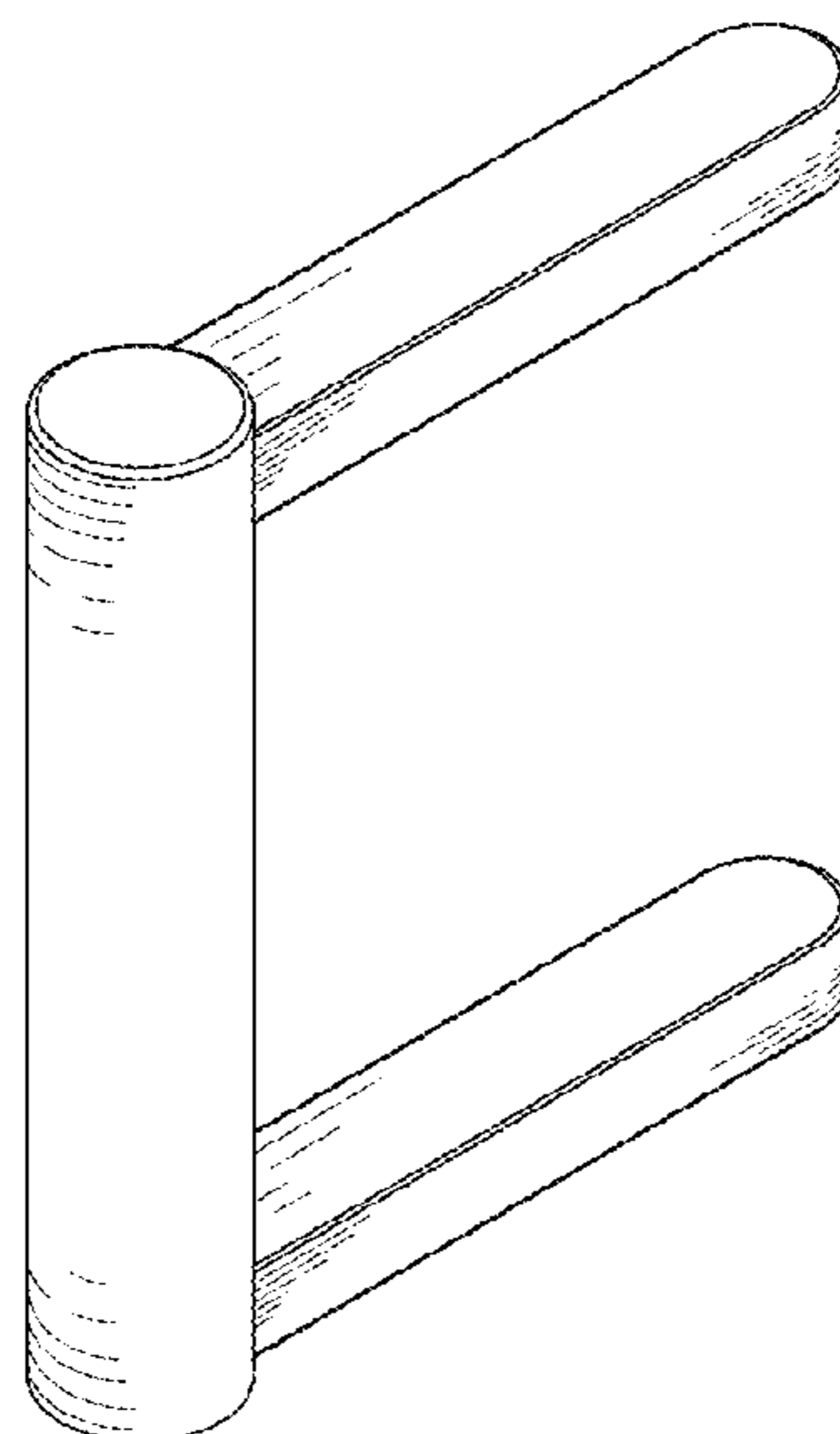


FIG. 11

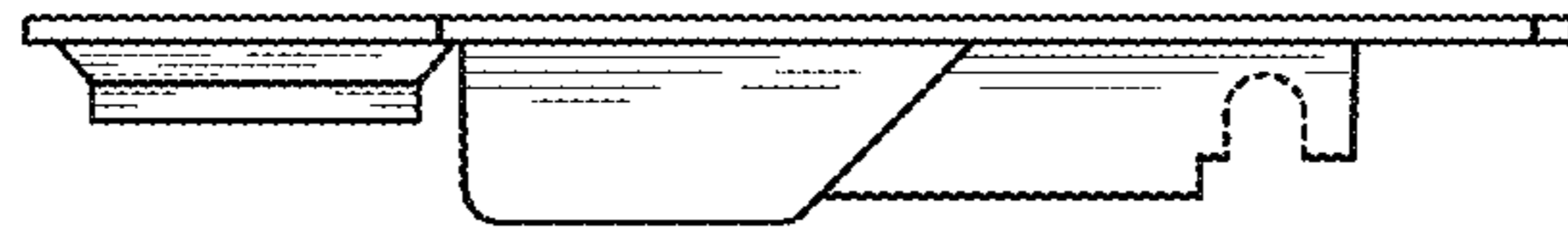


FIG. 12

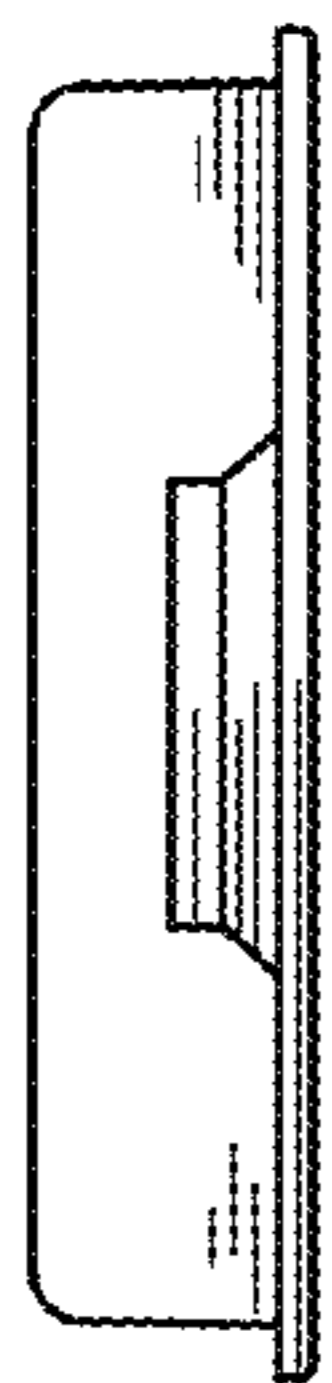


FIG. 13

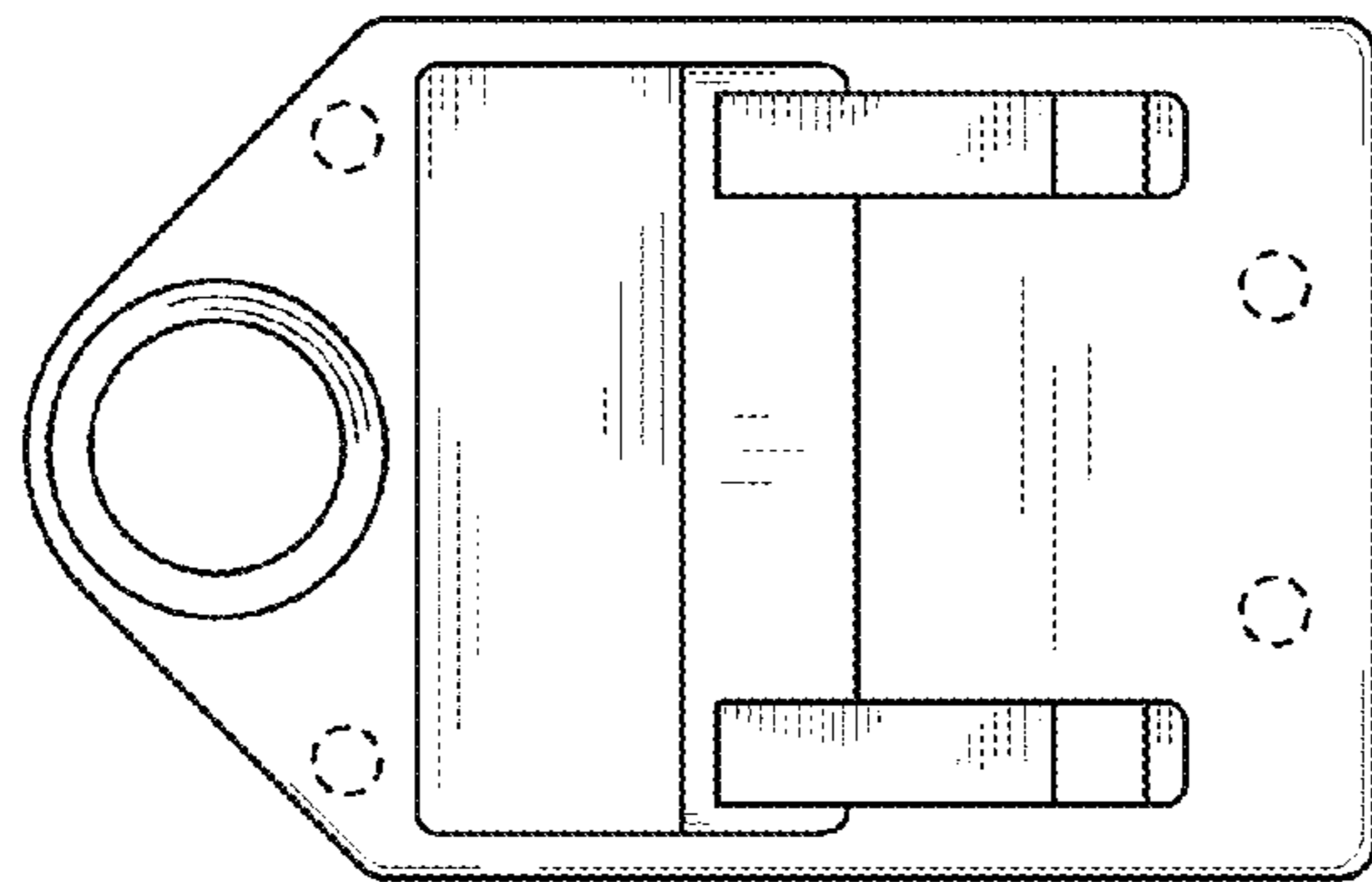


FIG. 14

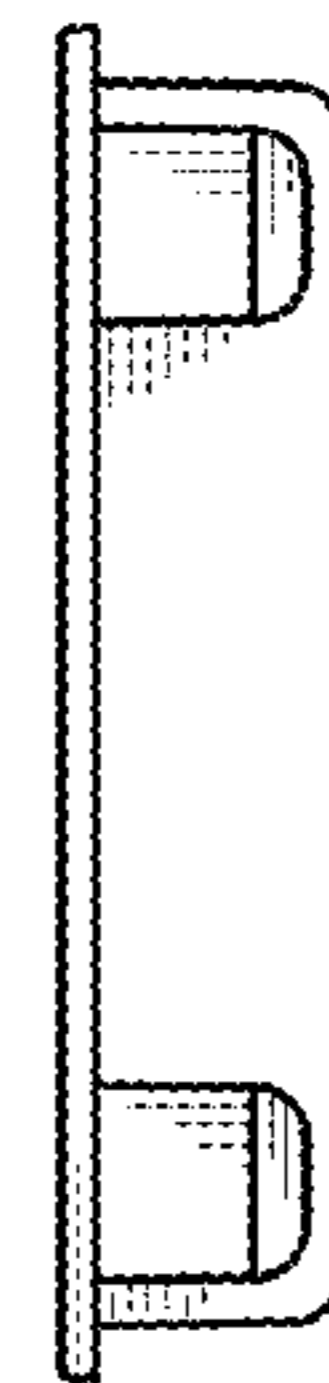


FIG. 15



FIG. 16

