



US00D688023S

(12) **United States Design Patent**  
**Smeaton**

(10) **Patent No.:** **US D688,023 S**

(45) **Date of Patent:** **\*\* Aug. 13, 2013**

(54) **FLUID STORAGE VESSEL**

(75) Inventor: **John Smeaton**, Athens, GA (US)

(73) Assignee: **Flextank, Inc.**, Athens, GA (US)

(\*\*) Term: **14 Years**

(21) Appl. No.: **29/404,995**

(22) Filed: **Oct. 27, 2011**

(51) **LOC (9) Cl.** ..... **09-02**

(52) **U.S. Cl.**  
USPC ..... **D34/39**

(58) **Field of Classification Search**

USPC ..... D34/39; D7/584, 309, 602; D23/202;  
217/98, 99, 72, 105; 220/404, 320, 669, 649,  
220/601, 604

See application file for complete search history.

(56) **References Cited**

**U.S. PATENT DOCUMENTS**

D246,227 S *	11/1977	Douglas	.....	D34/39
D283,935 S *	5/1986	Culshaw	.....	D34/39
D289,937 S *	5/1987	Cleveland, Jr.	.....	D34/39
D295,108 S *	4/1988	Przytulla	.....	D34/39
D344,385 S *	2/1994	Przytulla	.....	D34/39
D359,150 S *	6/1995	Malik et al.	.....	D34/39
D374,538 S *	10/1996	Hanson et al.	.....	D34/39
D374,959 S *	10/1996	Mull	.....	D34/39
D395,118 S *	6/1998	Cramer et al.	.....	D34/39
D405,931 S *	2/1999	Palmer	.....	D34/39
D463,644 S *	9/2002	Neuhaus	.....	D34/4
D528,257 S *	9/2006	Leclerc et al.	.....	D34/1
D598,621 S *	8/2009	Carey	.....	D34/1
D615,273 S *	5/2010	Magee	.....	D34/39
D661,863 S *	6/2012	Nomblot	.....	D34/39

D663,094 S *	7/2012	Nomblot	.....	D34/39
2002/0008107 A1 *	1/2002	Neuhaus	.....	220/23.87
2004/0129680 A1 *	7/2004	Andries	.....	217/72

\* cited by examiner

*Primary Examiner* — Cynthia Ramirez

(74) *Attorney, Agent, or Firm* — Sutherland Asbill & Brennan LLP

(57) **CLAIM**

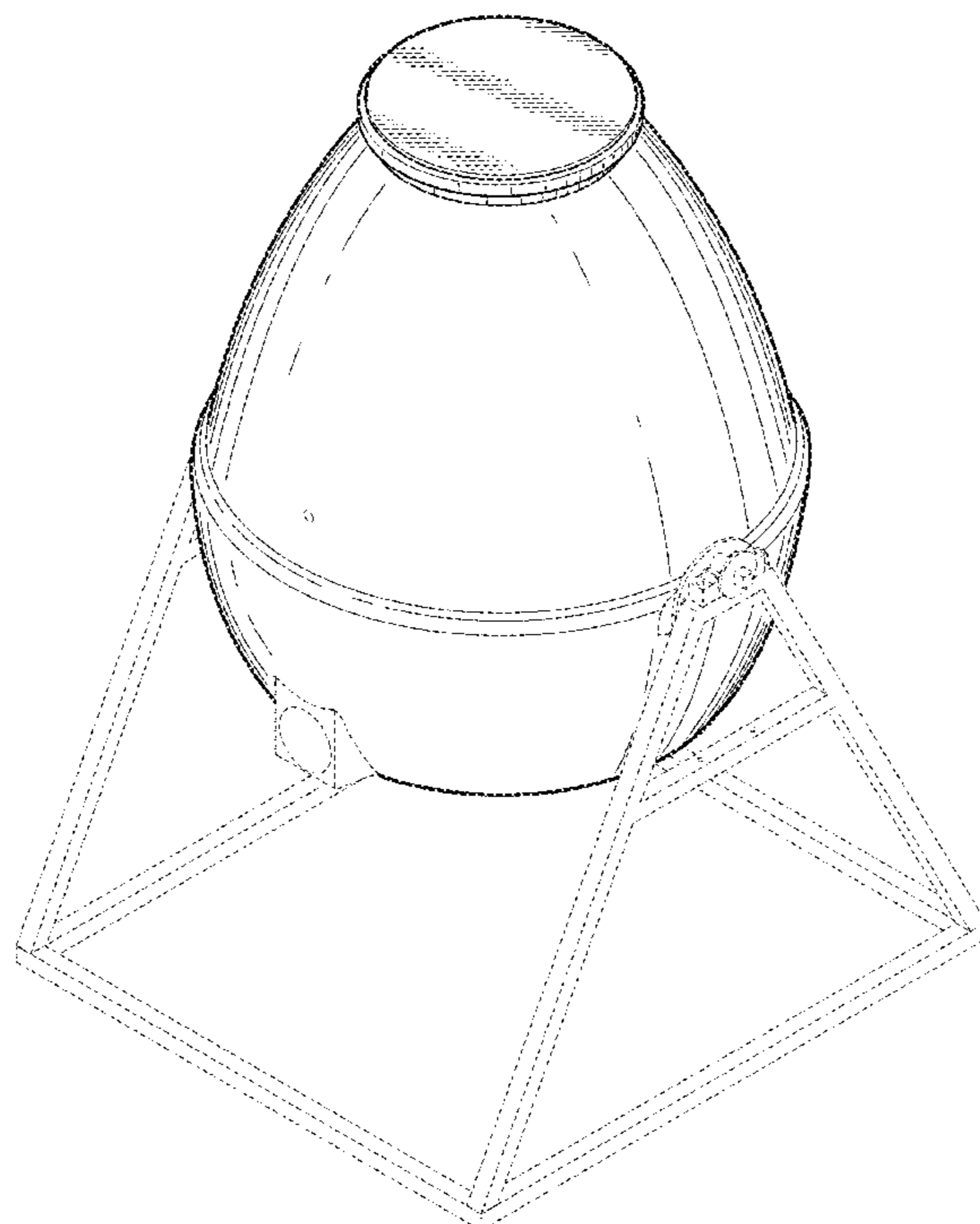
The ornamental design for a fluid storage vessel, as shown.

**DESCRIPTION**

FIG. 1 is a perspective view of an embodiment of a fluid storage vessel showing my new design;  
 FIG. 2 is a first side thereof;  
 FIG. 3 is a second side thereof;  
 FIG. 4 is a front view thereof;  
 FIG. 5 is a back view thereof;  
 FIG. 6 is a top view thereof;  
 FIG. 7 is a bottom view thereof;  
 FIG. 8 is a perspective view of a second embodiment of a fluid storage vessel showing my new design;  
 FIG. 9 is a first side thereof;  
 FIG. 10 is a second side thereof;  
 FIG. 11 is a front view thereof;  
 FIG. 12 is a back view thereof;  
 FIG. 13 is a top view thereof; and,  
 FIG. 14 is a bottom view thereof.

The broken line showing of some elements in the some of the figures is included for the purpose of illustrating environment and forms no part of the claimed design.

**1 Claim, 8 Drawing Sheets**



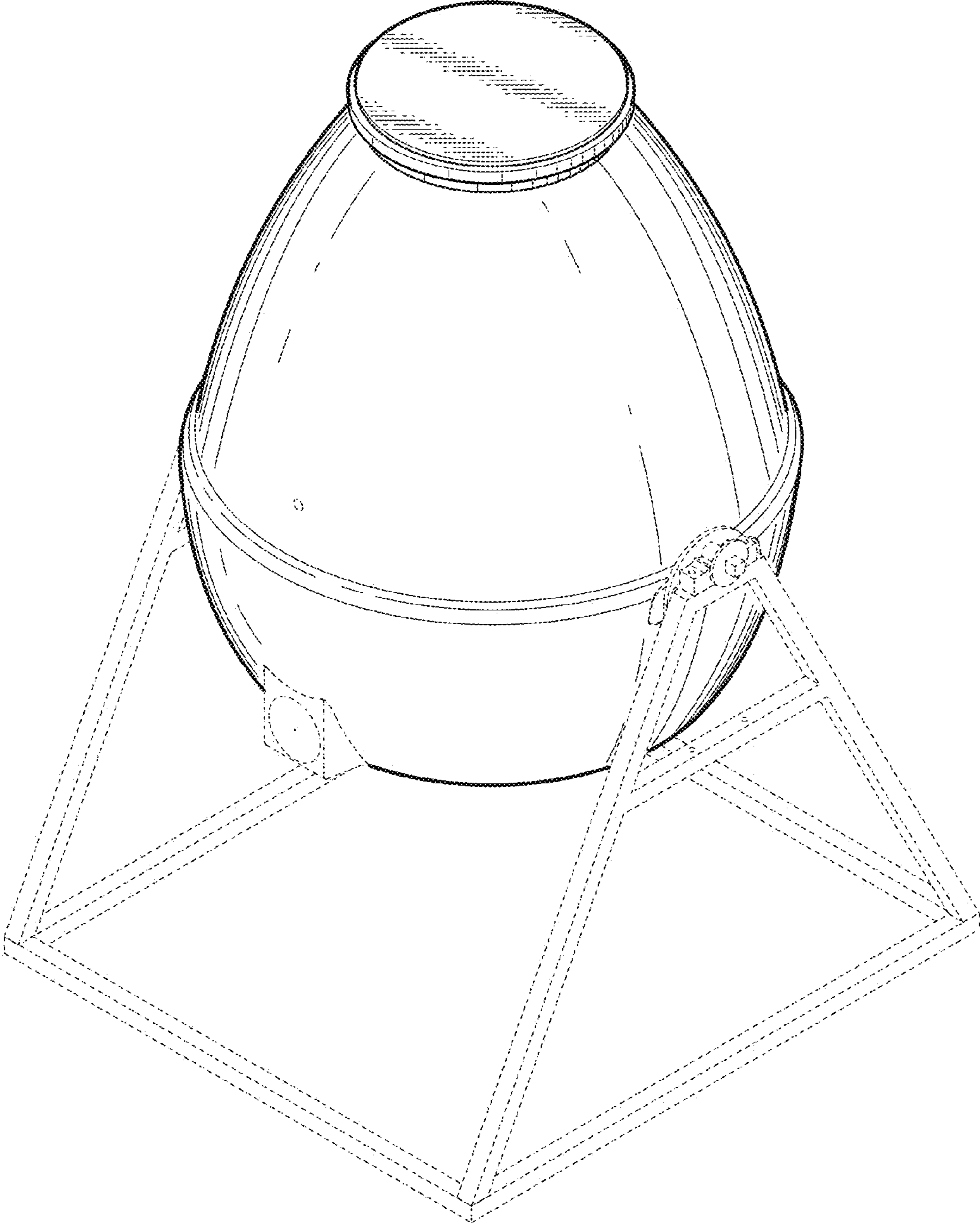


FIG. 1

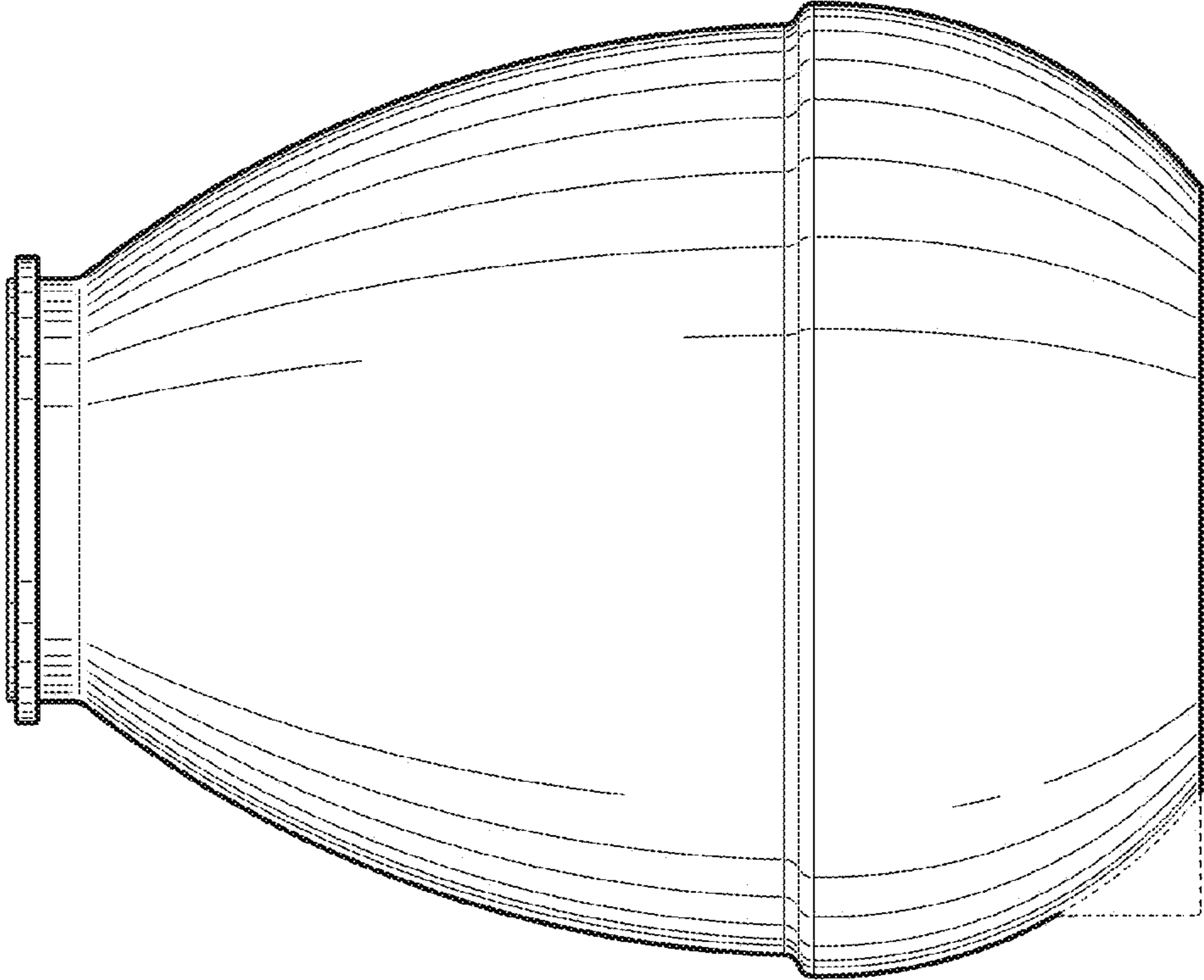


FIG. 3

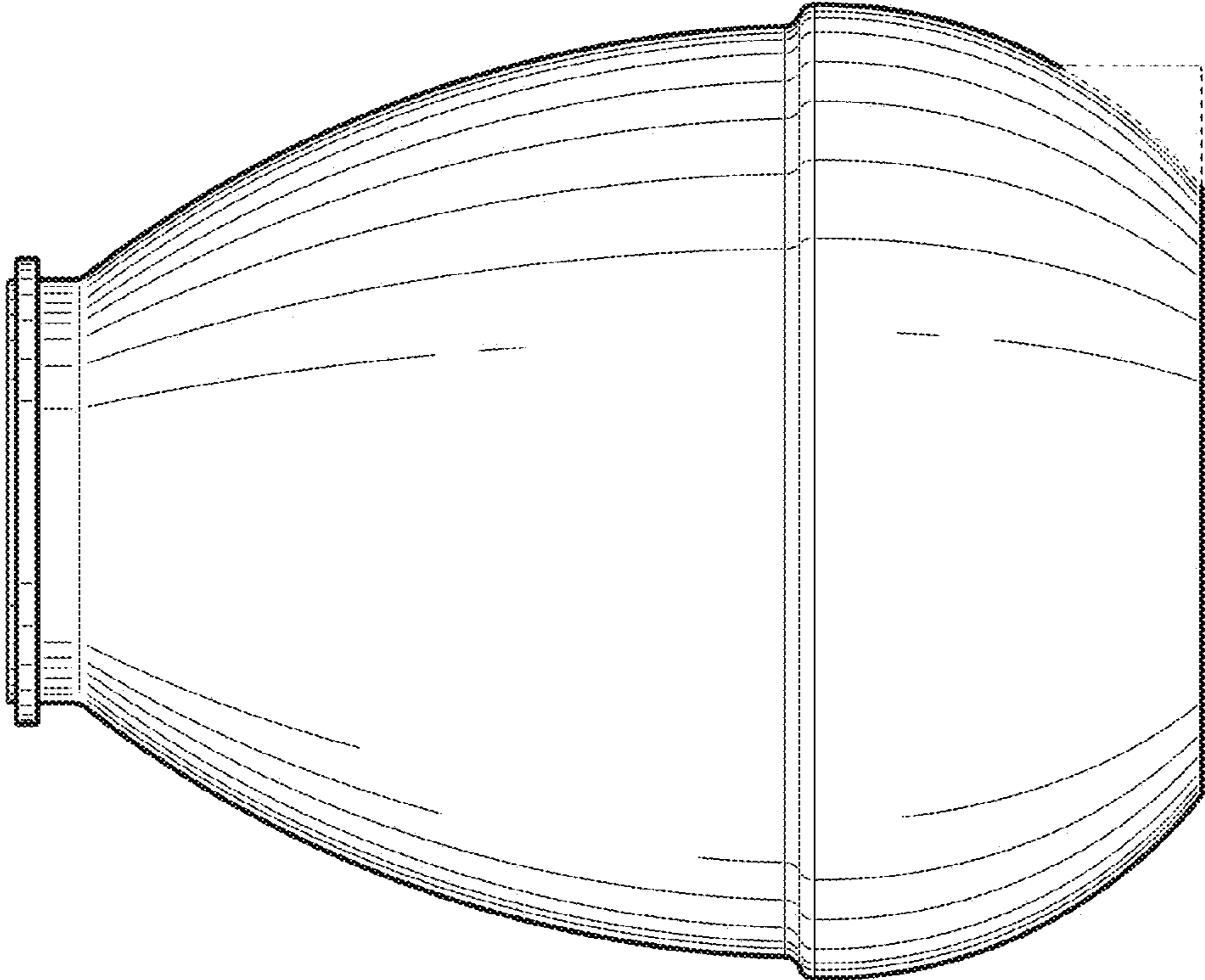


FIG. 2

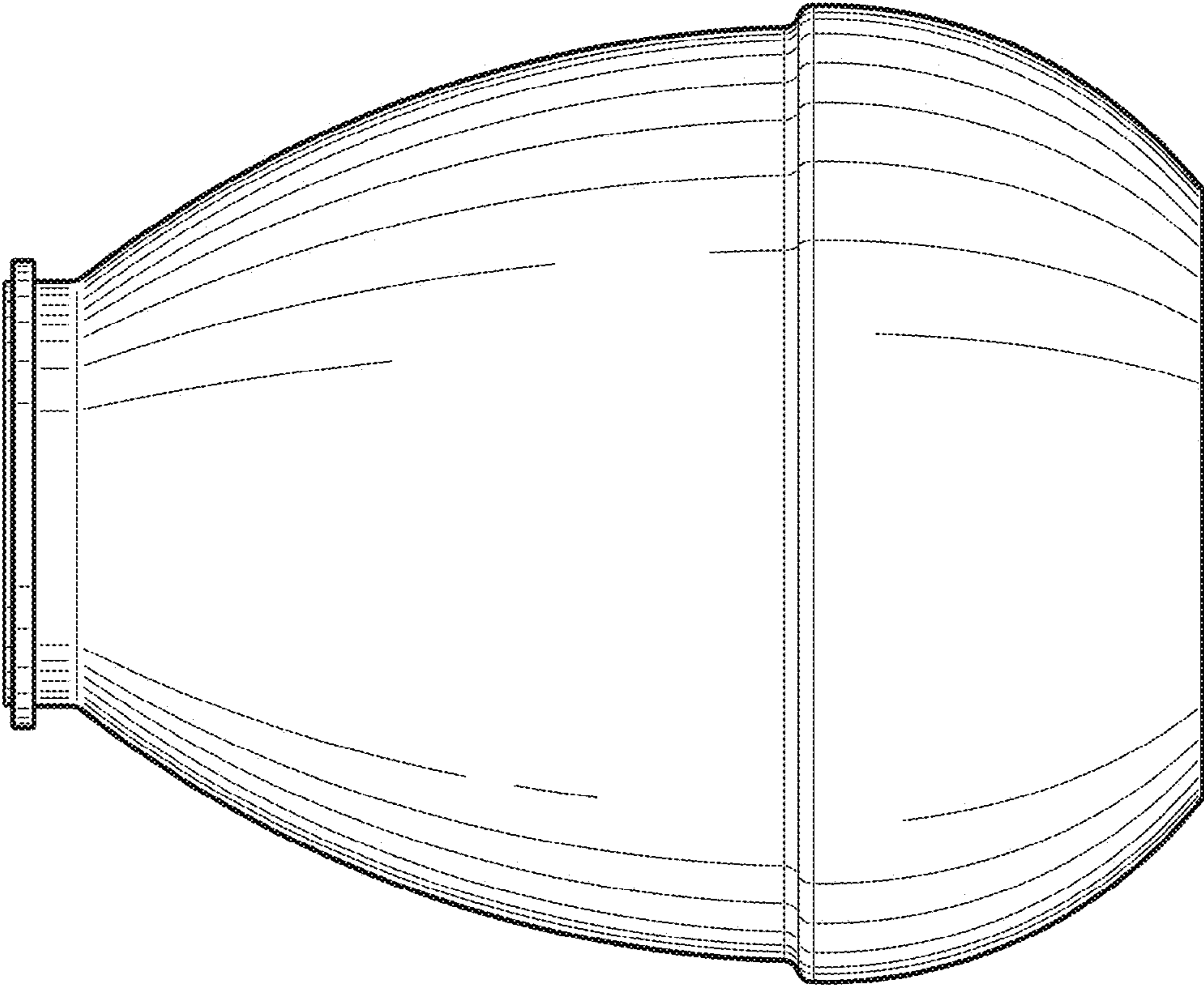


FIG. 5

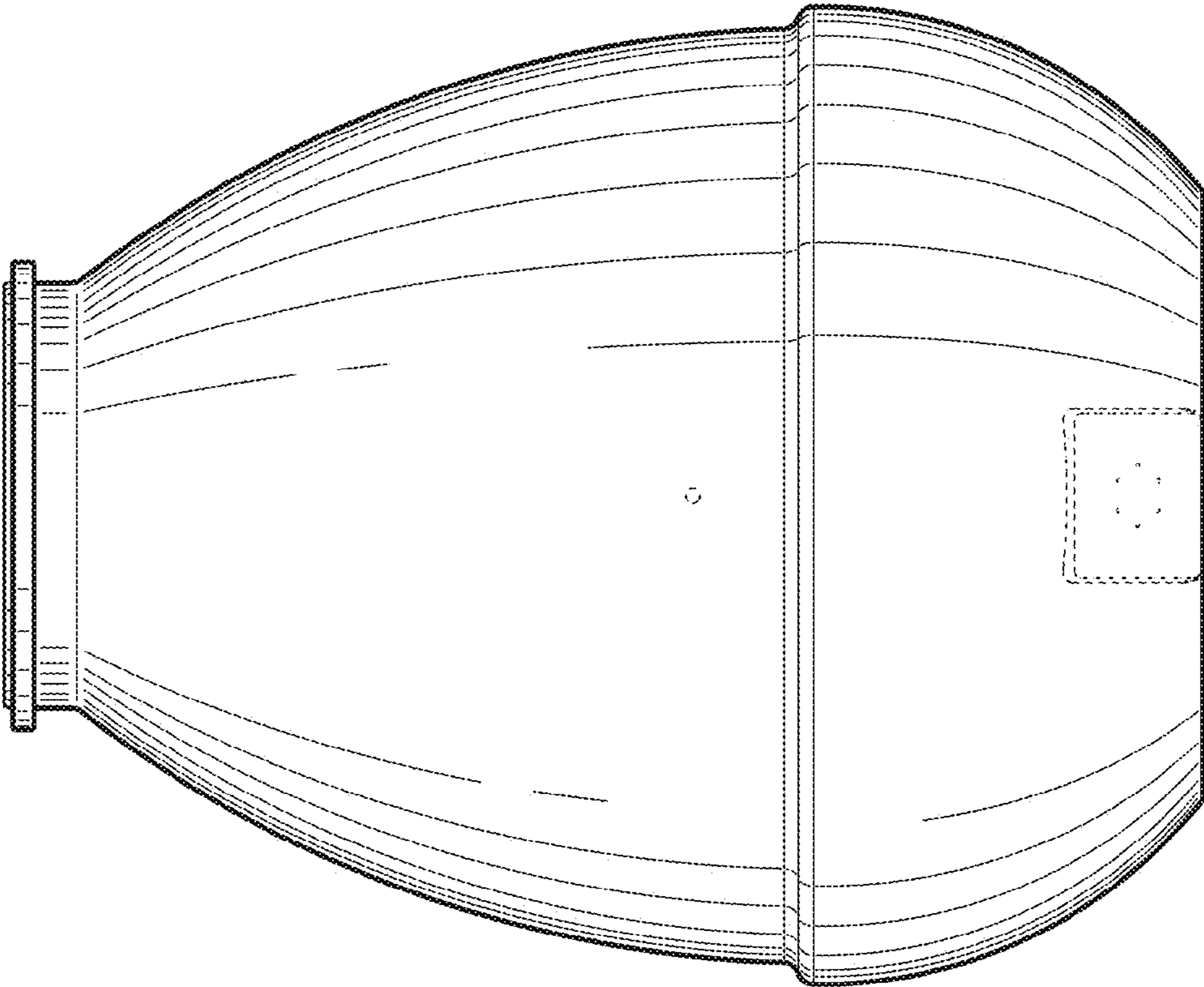


FIG. 4

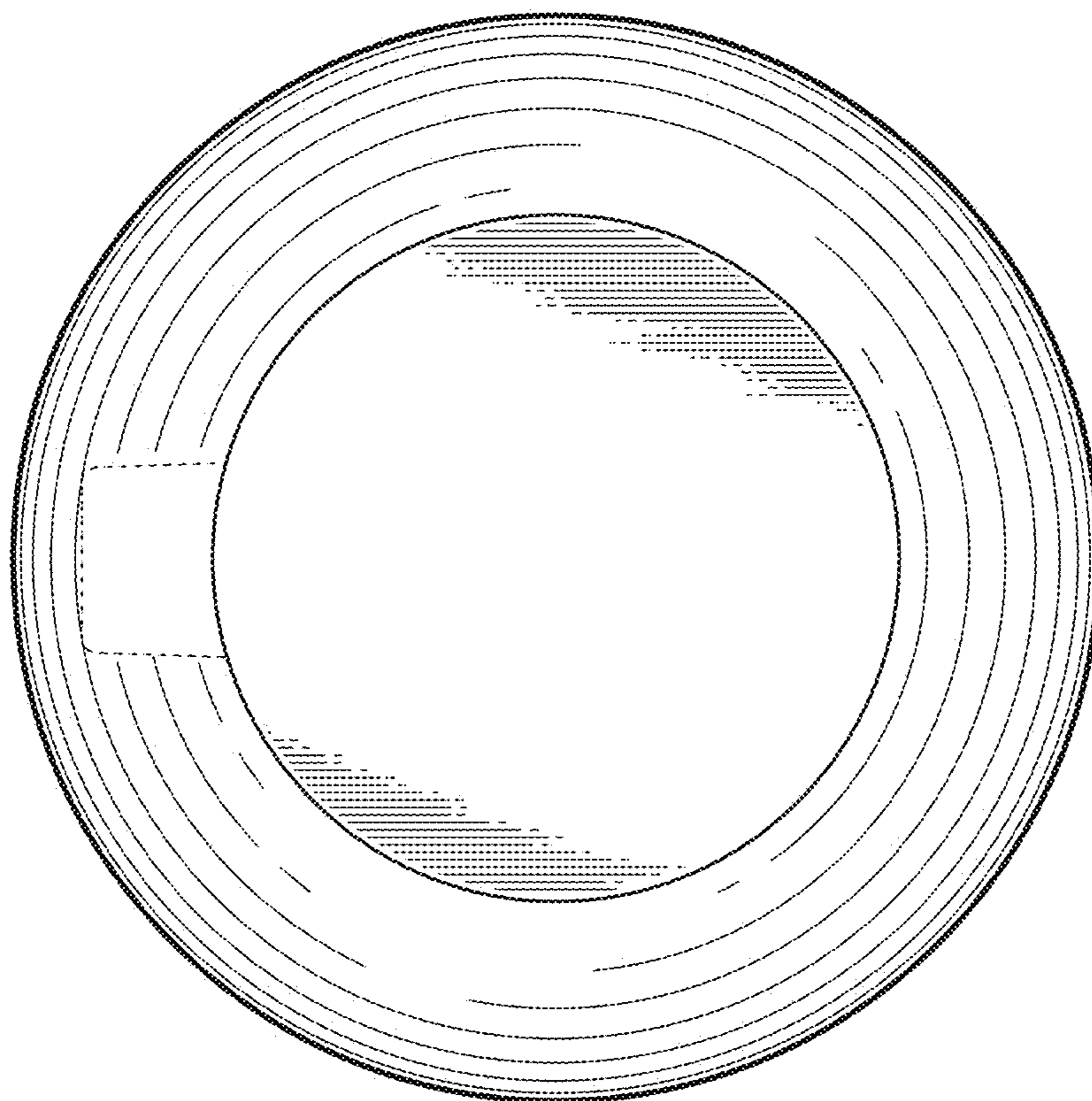


FIG. 7

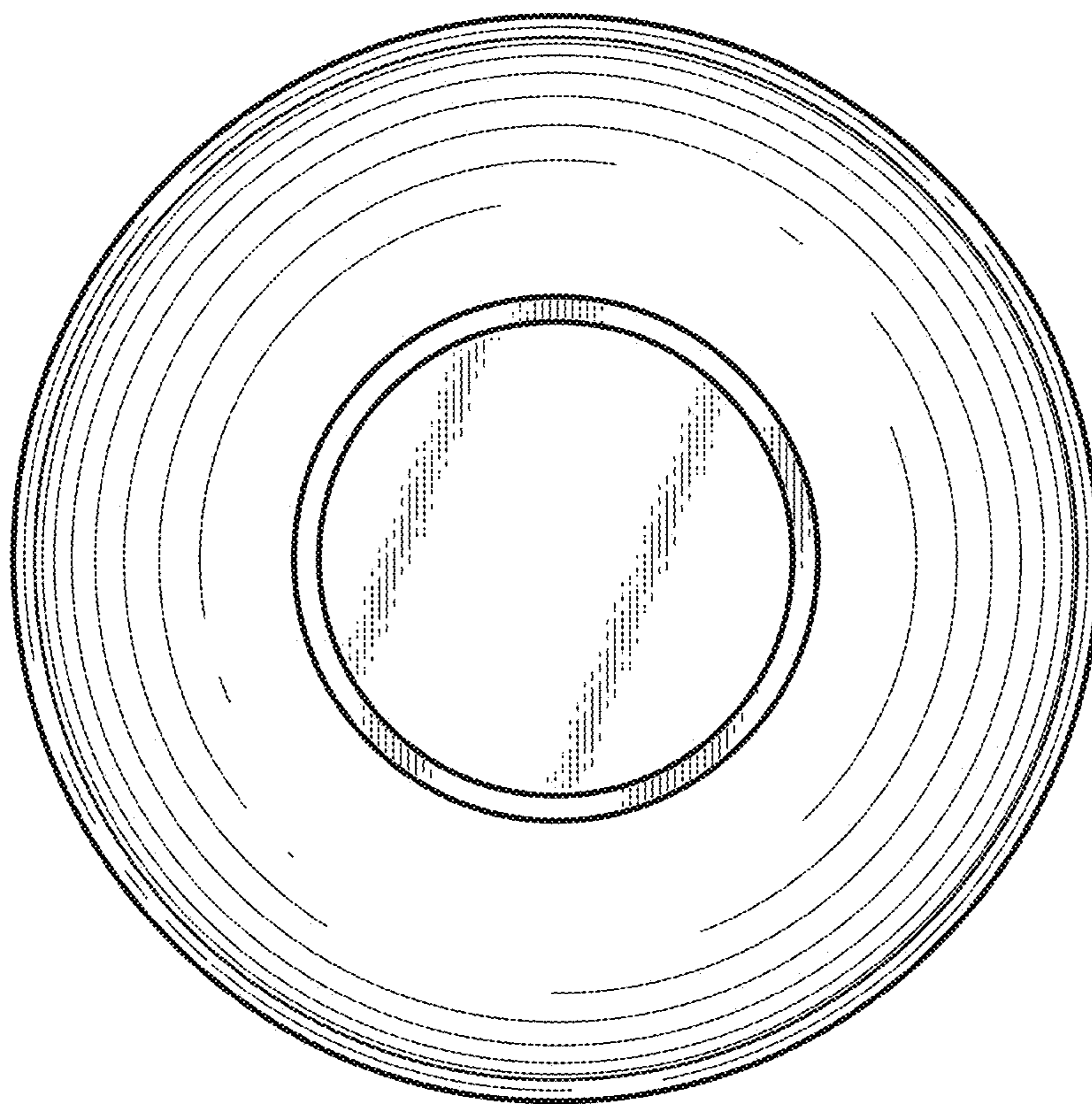


FIG. 6

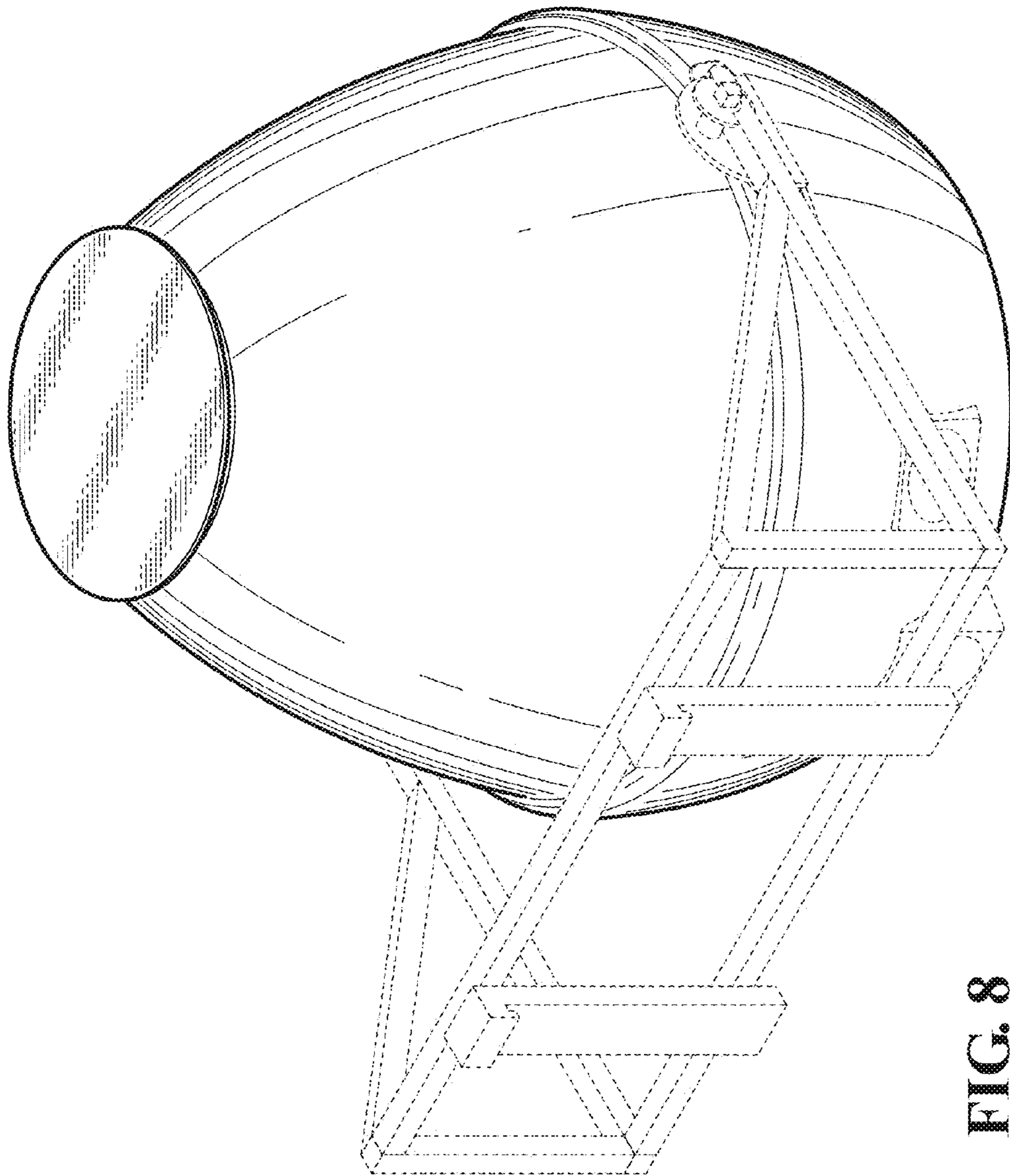


FIG. 8

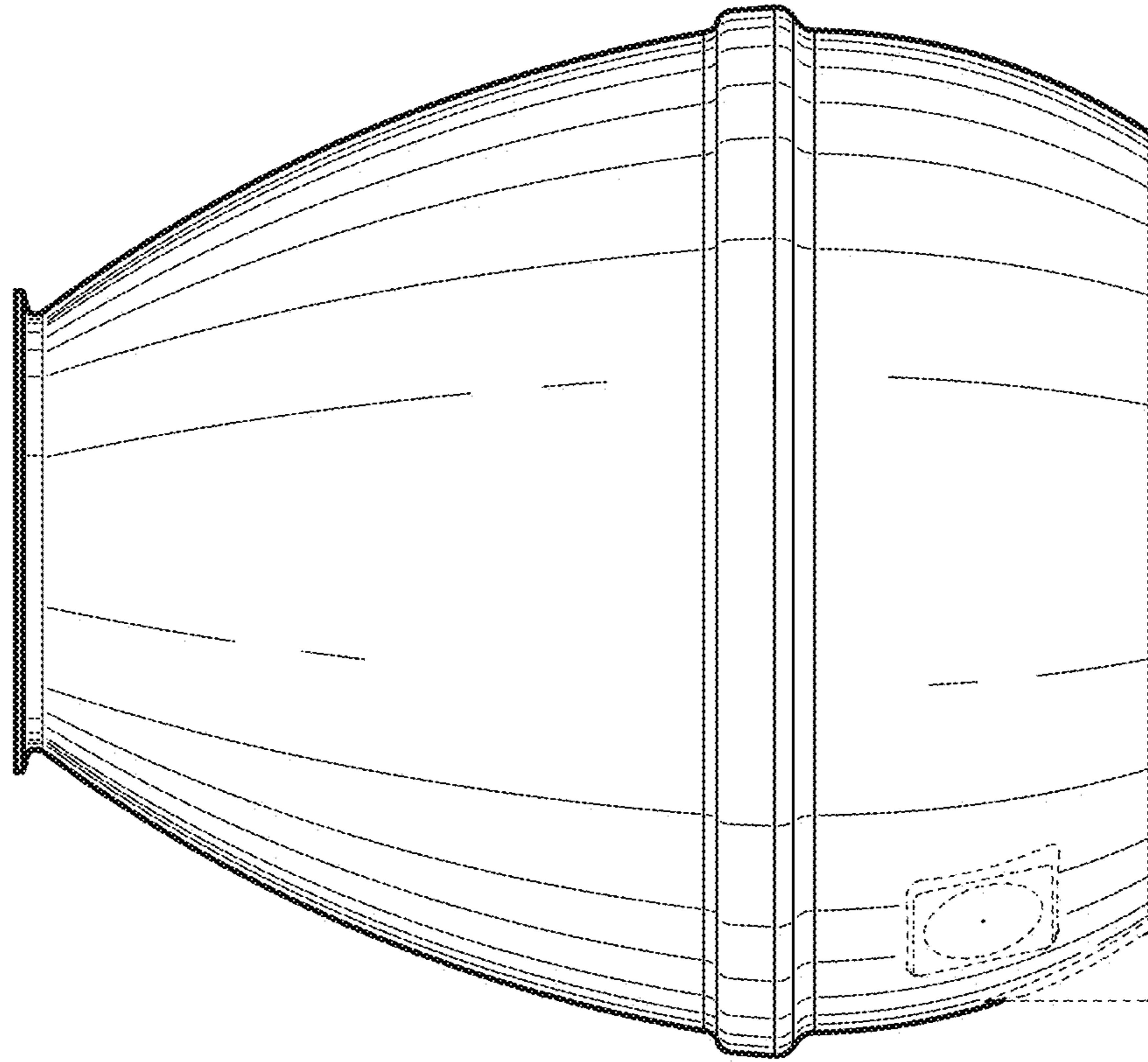


FIG. 10

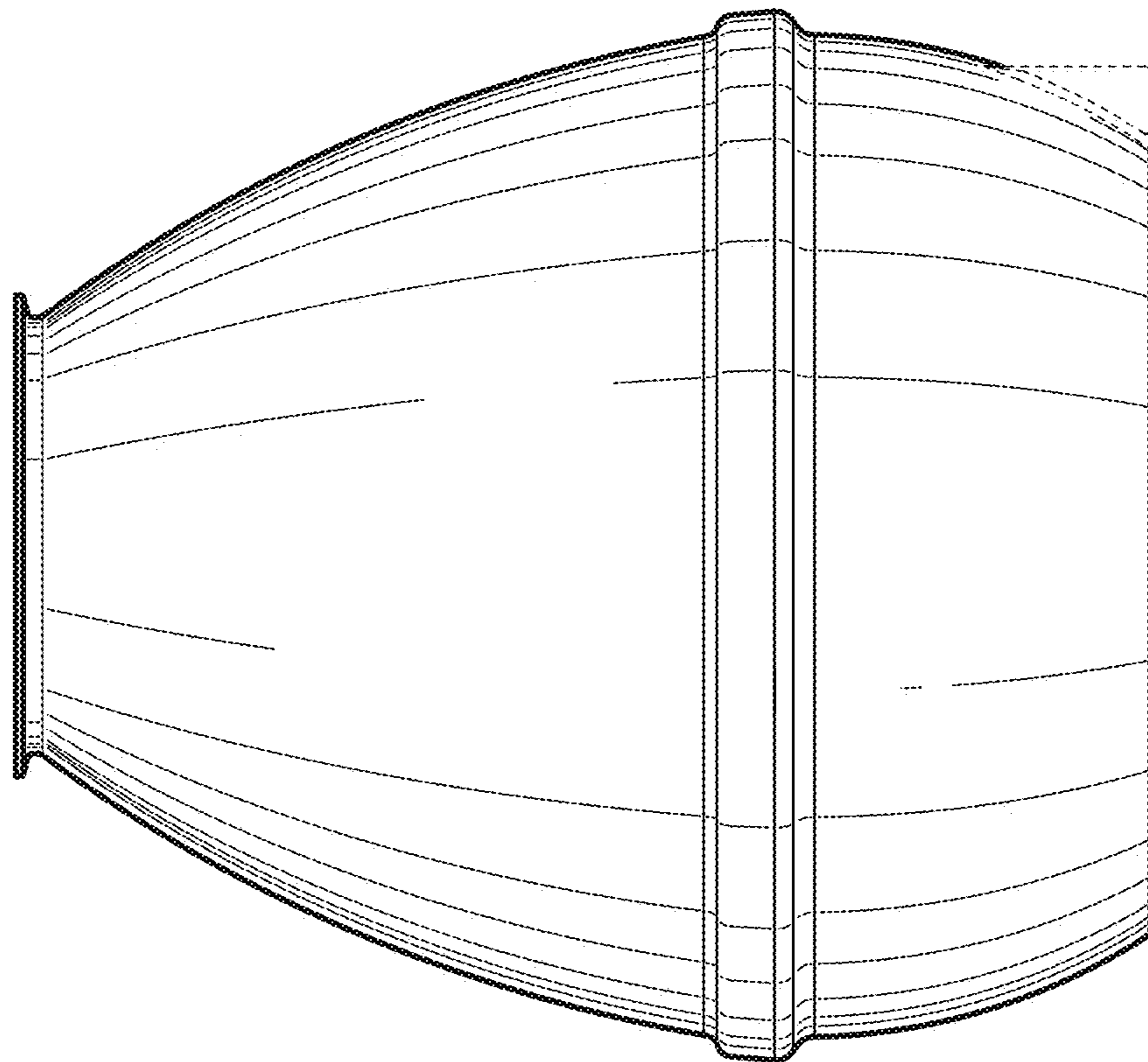


FIG. 9

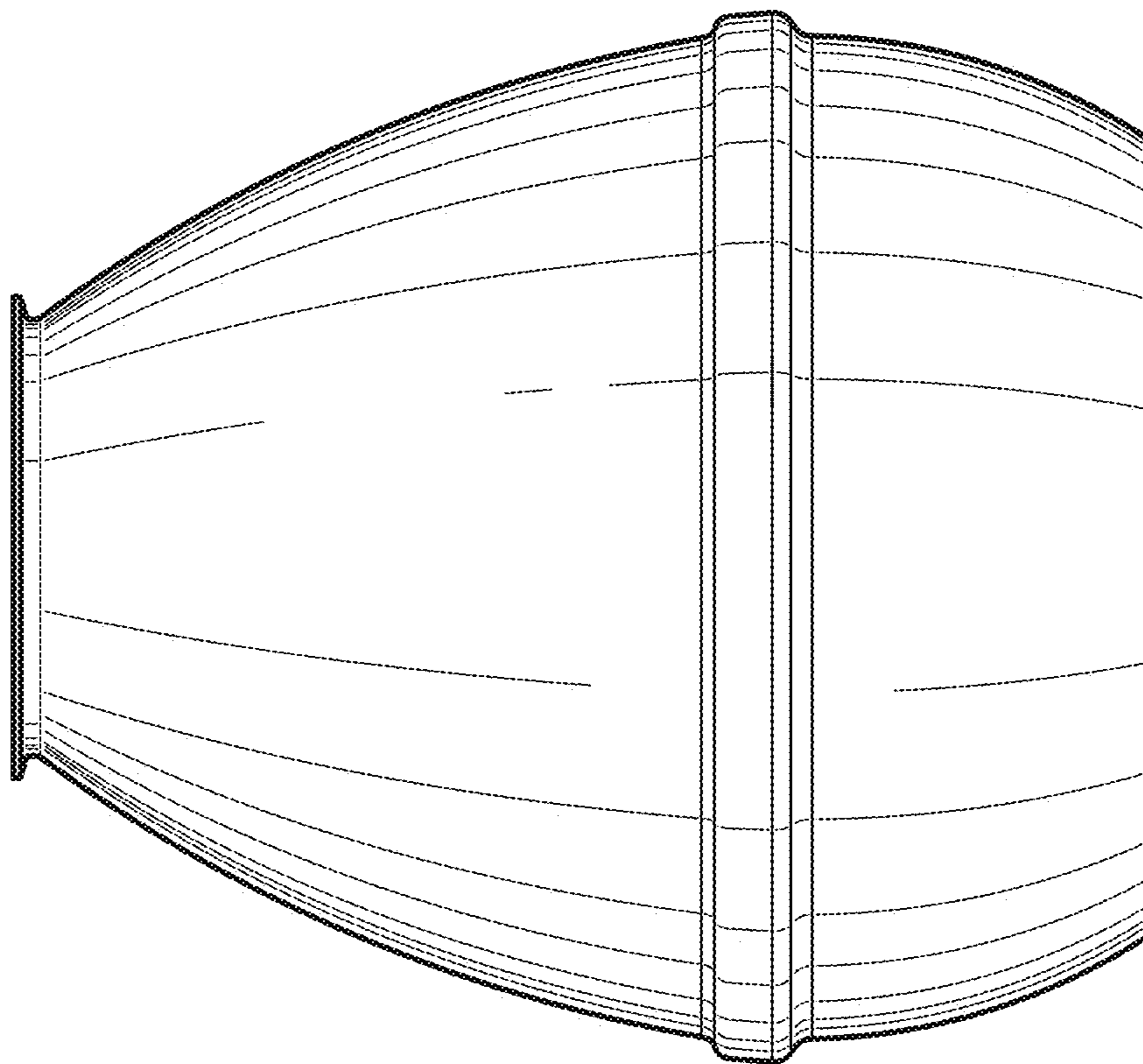


FIG. 11

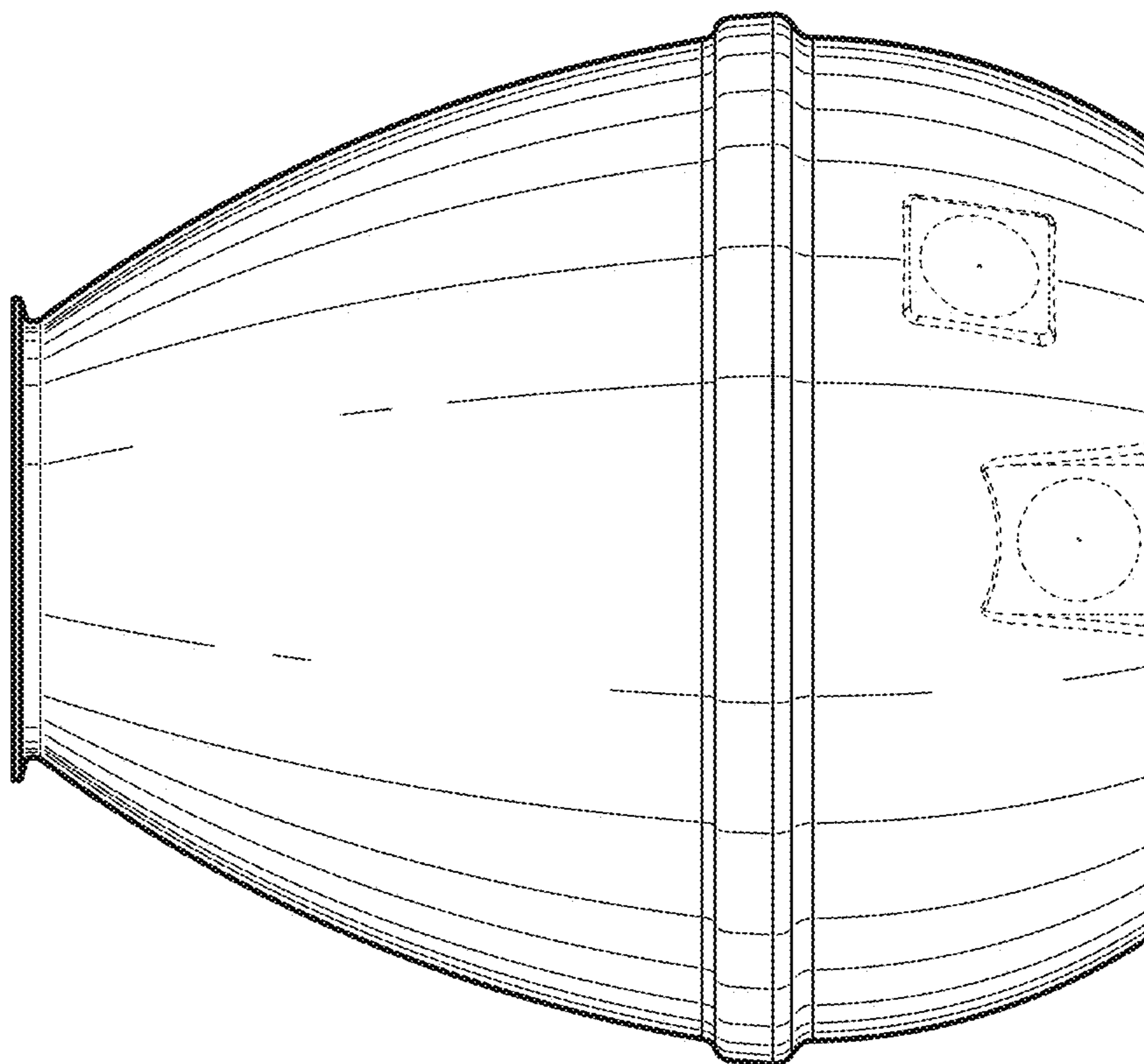


FIG. 12



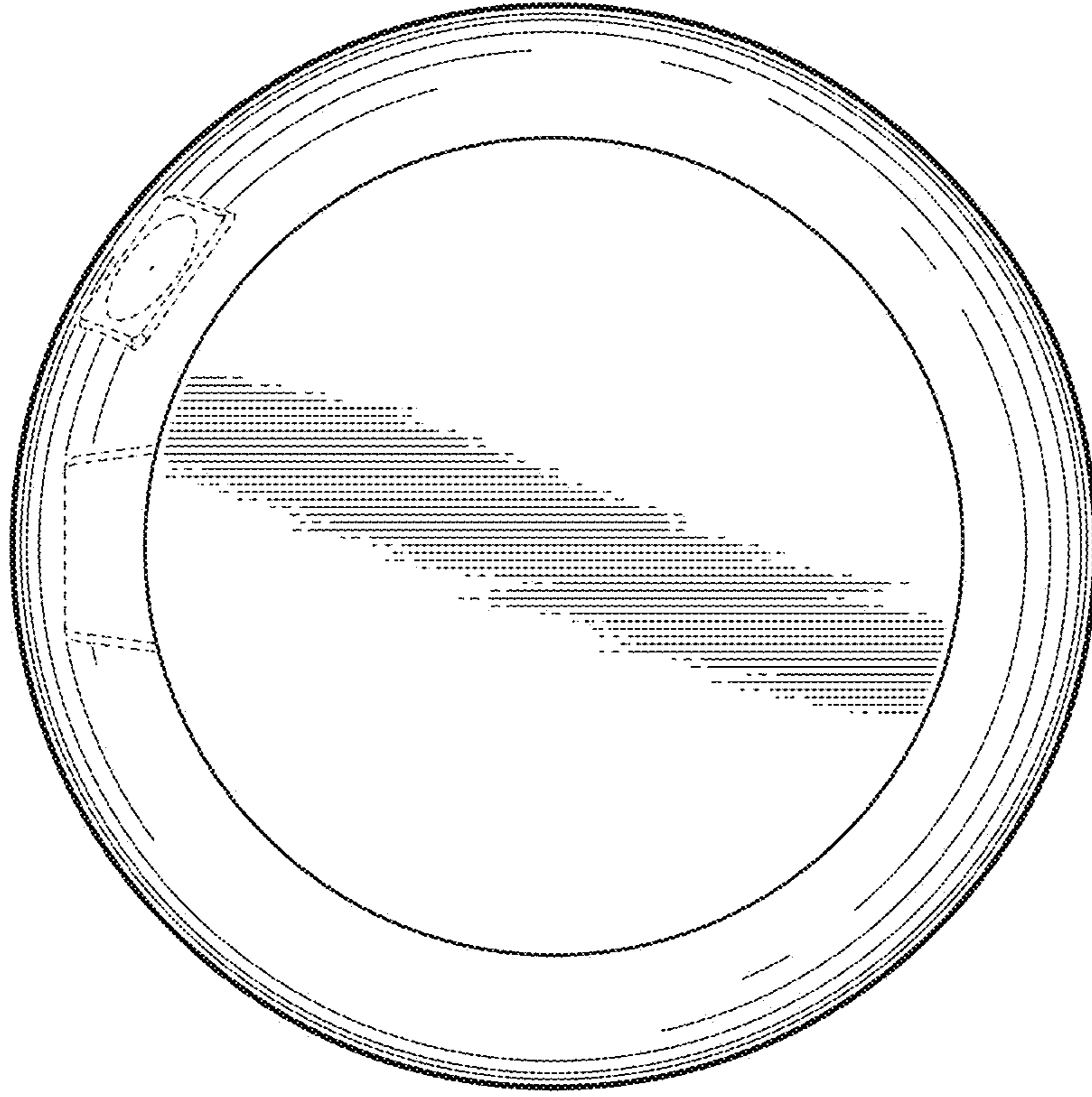


FIG. 14

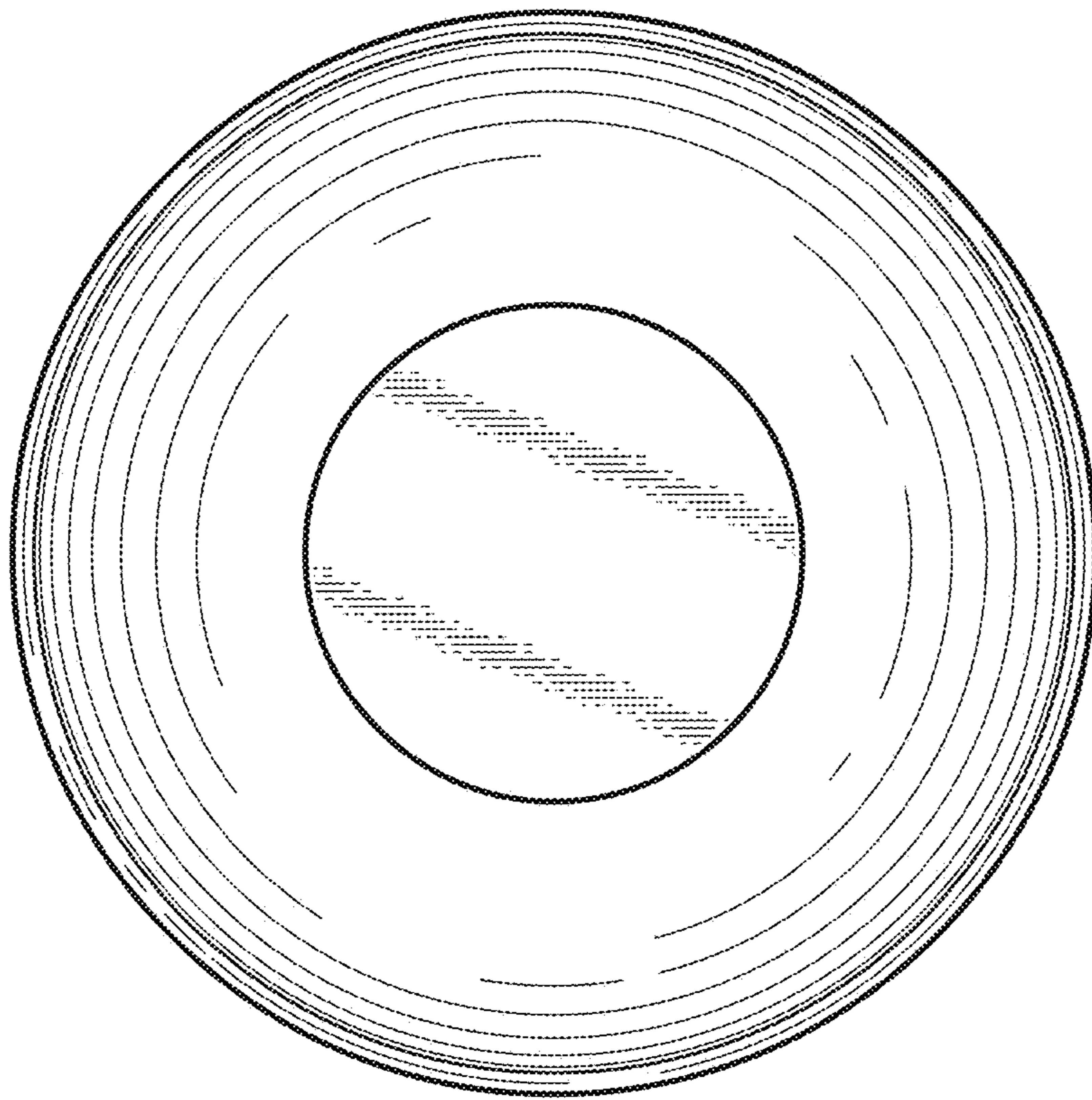


FIG. 13