

US00D688022S

(12) **United States Design Patent**
Gann et al.

(10) **Patent No.:** **US D688,022 S**

(45) **Date of Patent:** **** Aug. 13, 2013**

(54) **LIFTING APPARATUS**

(71) Applicant: **Shinn Fu Corporation**, Taipei (TW)

(72) Inventors: **Casey R. Gann**, Camden Point, MO (US); **Peter K. Gillespie**, Raytown, MO (US); **Kade Belcher**, Kansas City, MO (US); **Braxton Kersting**, Kansas City, MO (US); **Colin Mandrick**, Kansas City, MO (US); **Ron Robertson**, Kansas City, MO (US); **Randy Nuttall**, Kansas City, MO (US); **Ryan Jorgensen**, Kansas City, MO (US)

(73) Assignee: **Shinn Fu Corporation**, Taipei (TW)

(**) Term: **14 Years**

(21) Appl. No.: **29/447,654**

(22) Filed: **Mar. 5, 2013**

Related U.S. Application Data

(63) Continuation of application No. 13/250,580, filed on Sep. 30, 2011.

(51) **LOC (9) Cl.** **12-05**

(52) **U.S. Cl.**
USPC **D34/28**

(58) **Field of Classification Search**
USPC D34/28, 31; 254/1, 10 R, 122, 93 R, 254/8 B, 10 C, 2 B, 8 R, 9 C, 10 B, 9 B, 9 R, 254/93 H, 133 R, 134
See application file for complete search history.

(56) **References Cited**

U.S. PATENT DOCUMENTS

2,361,544 A * 10/1944 Hastings, Jr. 280/46
D307,346 S * 4/1990 Kawana D34/31

D307,498 S * 4/1990 Kawana D34/31
4,984,657 A * 1/1991 Burns 187/207
5,271,603 A * 12/1993 White 254/10 C
D344,835 S * 3/1994 MacEachern D34/31
D346,255 S * 4/1994 Francis et al. D34/31
D378,155 S * 2/1997 Bartow et al. D34/28
6,050,546 A * 4/2000 Peschmann et al. 254/10 B
6,241,227 B1 * 6/2001 Berdan et al. 269/17
6,561,487 B2 * 5/2003 Siglock 254/134
6,769,668 B2 * 8/2004 Siglock 254/124
6,966,542 B2 * 11/2005 Bettencourt 254/131
6,986,503 B2 1/2006 Arzouman
7,137,615 B2 11/2006 Ray, Jr. et al.
2004/0096306 A1 * 5/2004 Carlsson 414/685
2006/0278855 A1 12/2006 Krug
2010/0102284 A1 4/2010 Drake
2010/0207085 A1 * 8/2010 Thurm 254/2 C

OTHER PUBLICATIONS

Office Action dated Nov. 23, 2012 issued in related U.S. Appl. No. 13/250,580, 10 pages.

(Continued)

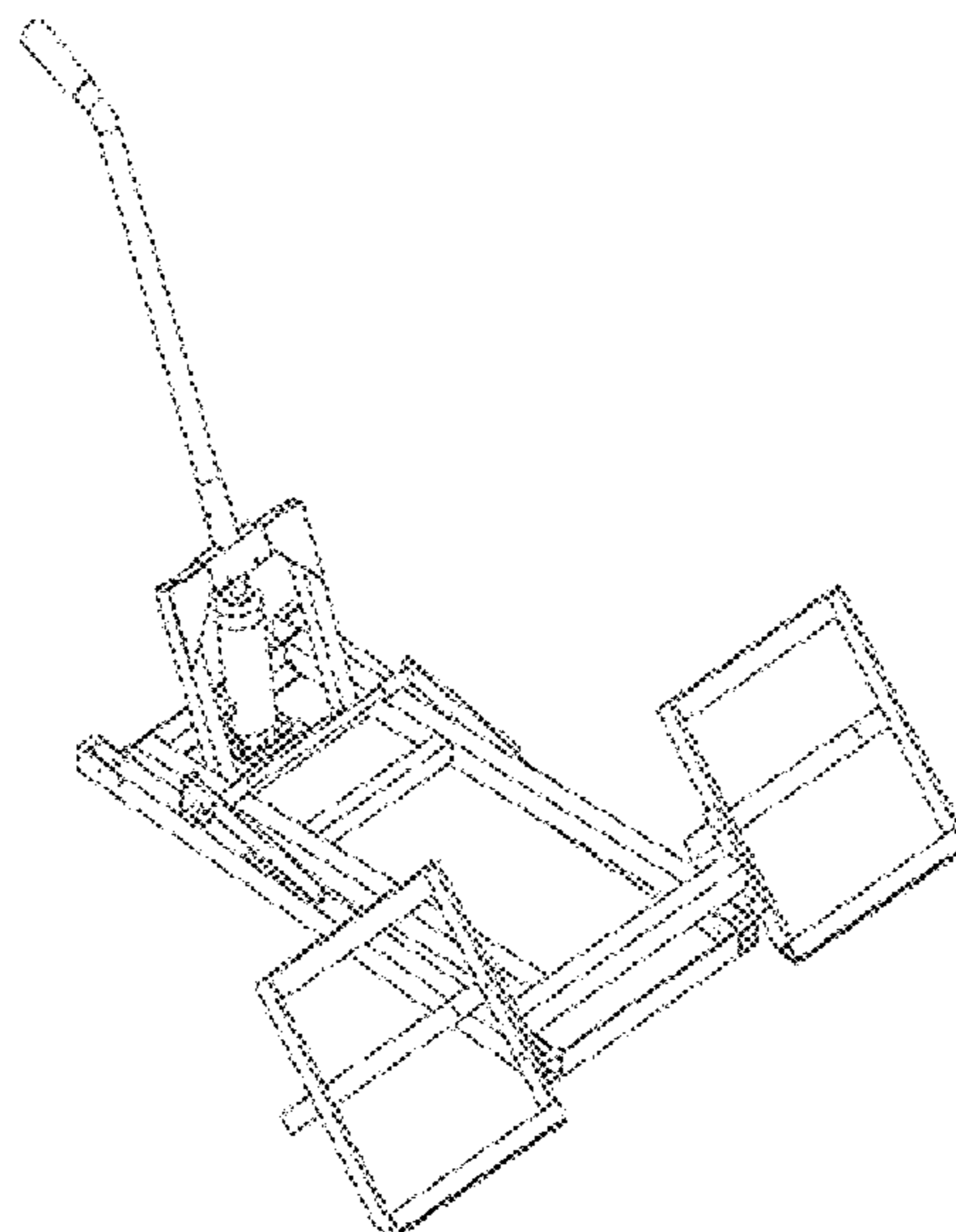
Primary Examiner — Cynthia Ramirez
(74) *Attorney, Agent, or Firm* — Lathrop & Gage LLP

(57) **CLAIM**
The ornamental design for a lifting apparatus, as shown.

DESCRIPTION

FIG. 1 is a perspective view of a lifting apparatus showing the new design, at a lowered configuration.
FIG. 2 is a rear view of the lifting apparatus of FIG. 1.
FIG. 3 is a front view of the lifting apparatus of FIG. 1.
FIG. 4 is a side view of the lifting apparatus of FIG. 1.
FIG. 5 is a top view of the lifting apparatus of FIG. 1; and,
FIG. 6 is another perspective view of the lifting apparatus of FIG. 1, at a raised configuration.

1 Claim, 4 Drawing Sheets



(56)

References Cited

OTHER PUBLICATIONS

Response to Office Action File in U.S. Appl. No. 13/250,580 dated May 20, 2013, 12 pages.

Statement Regarding Prior Art by Justin Poplin dated Jul. 21, 2010.

Select File History from U.S. Appl. No. 12/763,749 dated Jun. 11, 2012 through Apr. 23, 2013, 85 pages.

Notice of Allowance issued in related U.S. Appl. No. 29/447,651 dated May 23, 2013, 10 pages.

Operating Instructions & Parts Manual, Omega Lift Equipment Model No. 49154 (2002).

ASME PALD-2005, Part 17: Vehicle Transport Lifts (2005).

* cited by examiner

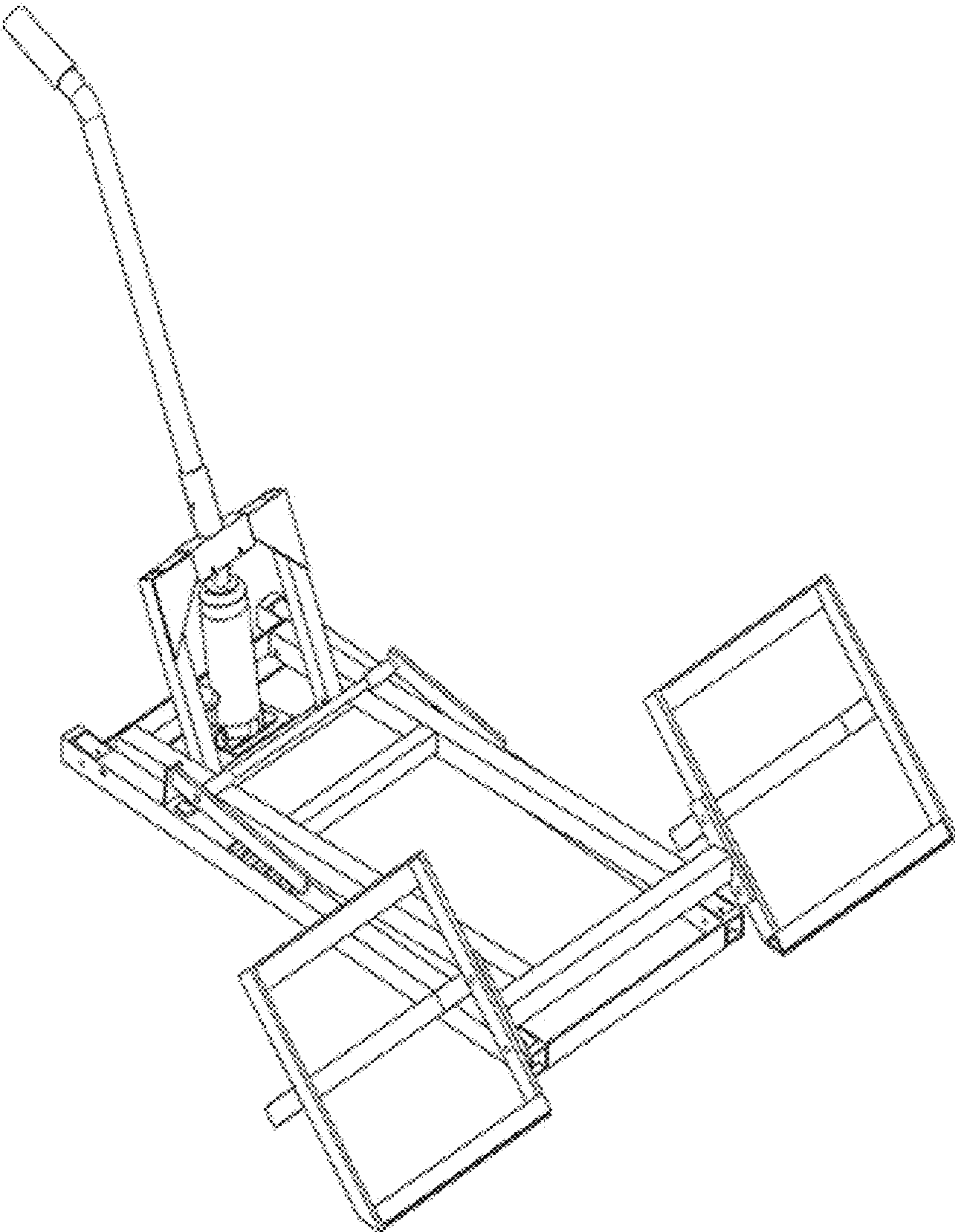


FIG. 1

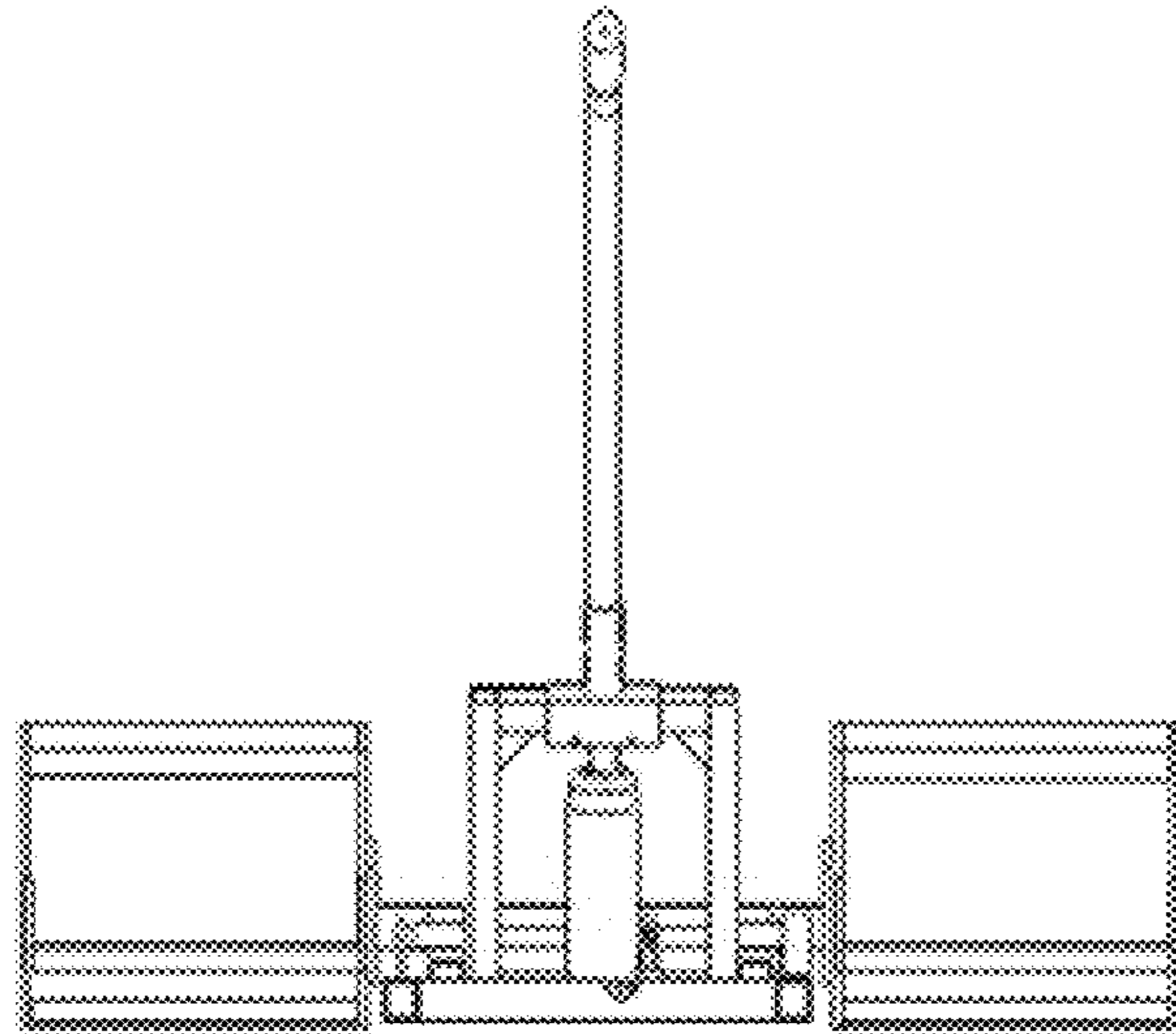


FIG. 2

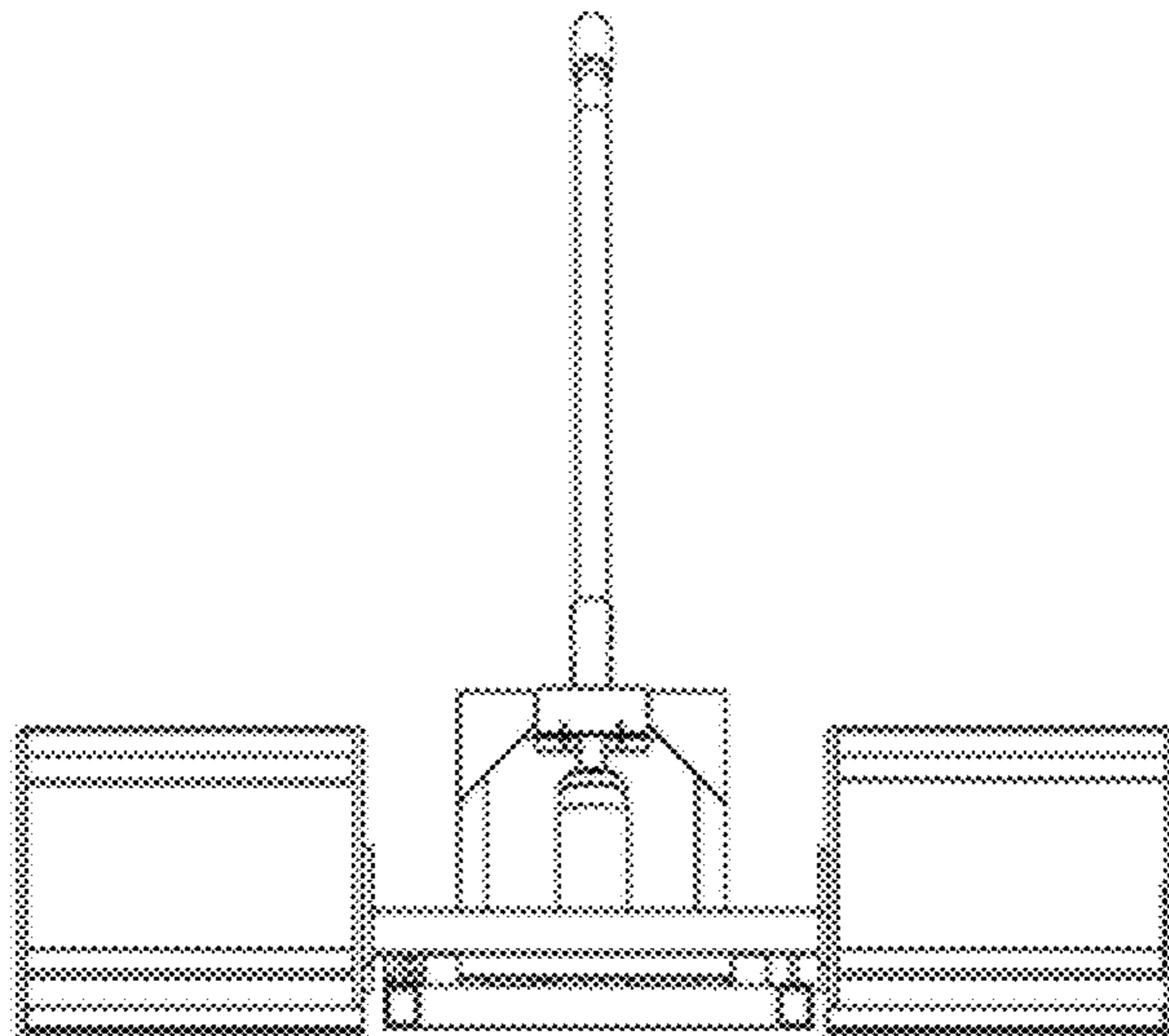


FIG. 3

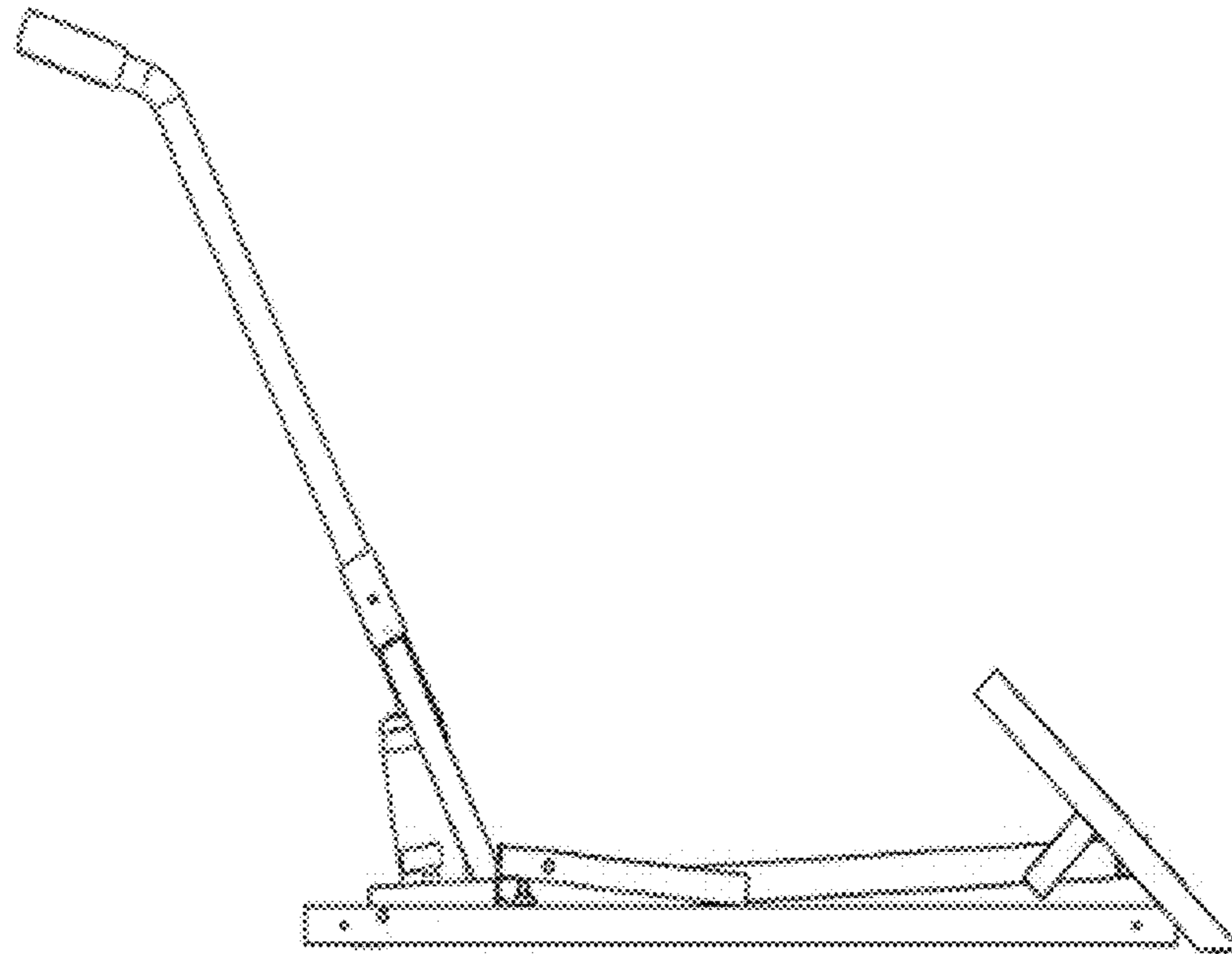


FIG. 4

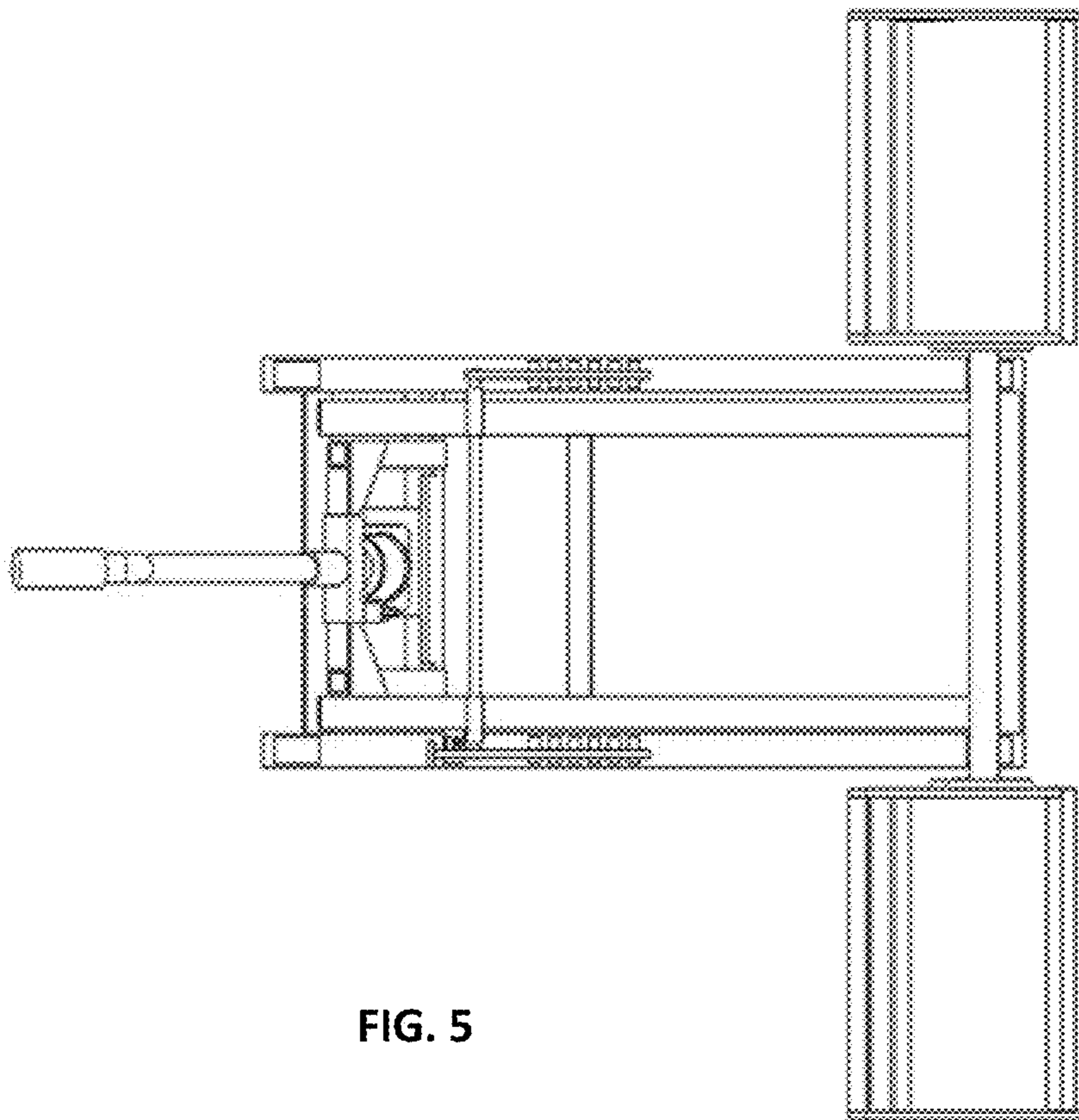


FIG. 5

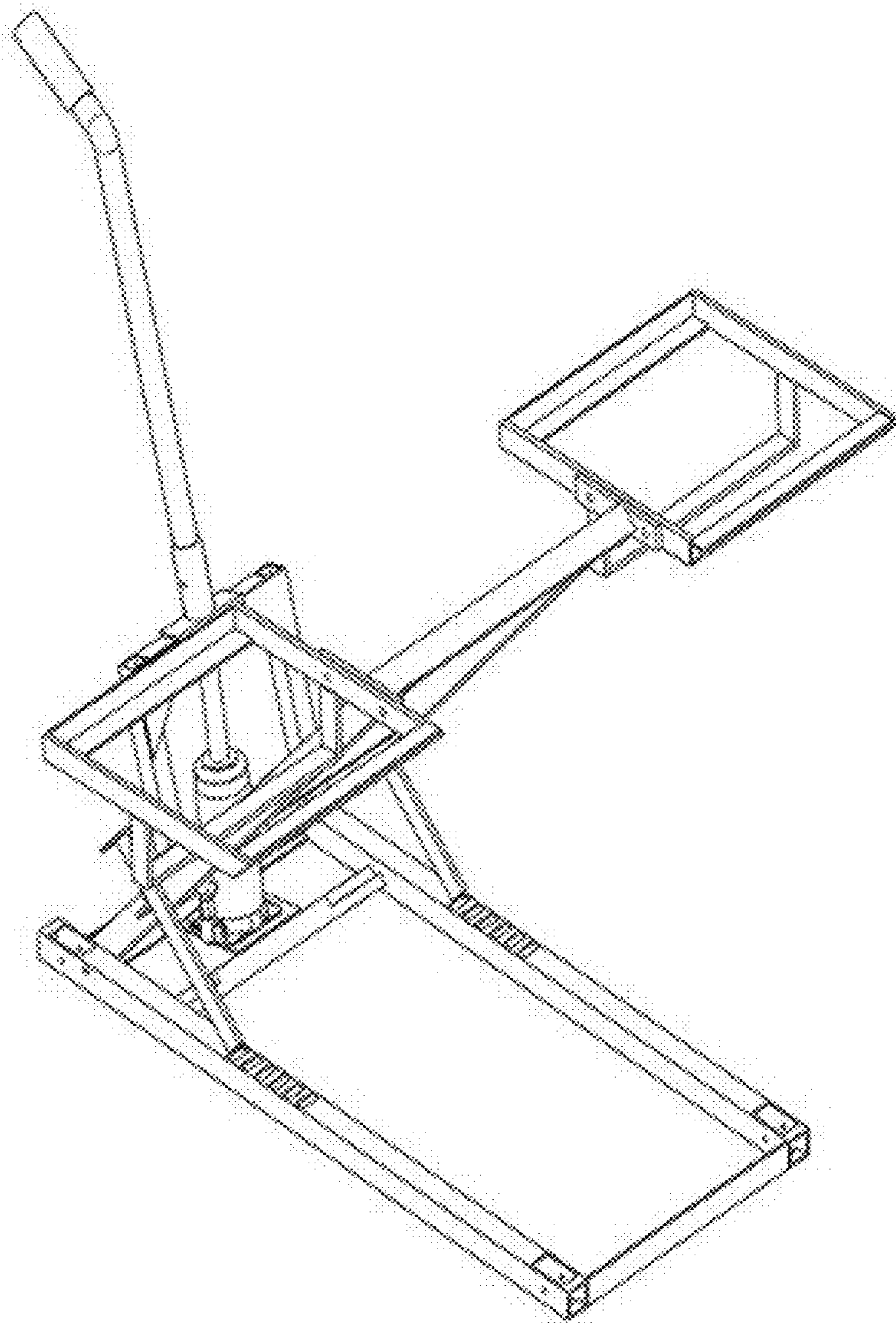


FIG. 6