

US00D688021S

(12) **United States Design Patent**
Gann et al.

(10) **Patent No.:** **US D688,021 S**
(45) **Date of Patent:** **** Aug. 13, 2013**

- (54) **LIFTING APPARATUS**
- (71) Applicant: **Shinn Fu Corporation**, Taipei (TW)
- (72) Inventors: **Casey R. Gann**, Camden Point, MO (US); **Peter K. Gillespie**, Raytown, MO (US)
- (73) Assignee: **Shinn Fu Corporation**, Taipei (TW)
- (**) Term: **14 Years**
- (21) Appl. No.: **29/447,651**
- (22) Filed: **Mar. 5, 2013**

6,050,546	A *	4/2000	Peschmann et al.	254/10 B
6,241,227	B1 *	6/2001	Berdan et al.	269/17
6,561,487	B2 *	5/2003	Siglock	254/134
6,769,668	B2 *	8/2004	Siglock	254/124
6,966,542	B2 *	11/2005	Bettencourt	254/131
6,986,503	B2	1/2006	Arzouman		
7,137,615	B2	11/2006	Ray, Jr. et al.		
2004/0096306	A1 *	5/2004	Carlsson	414/685
2006/0278855	A1	12/2006	Krug		
2010/0102284	A1	4/2010	Drake		
2010/0207085	A1 *	8/2010	Thurm	254/2 C

OTHER PUBLICATIONS

Office Action dated Nov. 23, 2012 issued in related U.S. Appl. No. 13/250,580, 10 pages.
Response to Office Action File in U.S. Appl. No. 13/250,580 dated May 20, 2013, 12 pages.

(Continued)

Primary Examiner — Cynthia Ramirez
(74) *Attorney, Agent, or Firm* — Lathrop & Gage LLP

Related U.S. Application Data

- (63) Continuation of application No. 12/763,749, filed on Apr. 20, 2010.
- (51) **LOC (9) Cl.** **12-05**
- (52) **U.S. Cl.**
USPC **D34/28**
- (58) **Field of Classification Search**
USPC D34/28, 31; 254/1, 10 R, 122, 93 R,
254/8 B, 10 C, 2 B, 8 R, 9 C, 10 B, 9 B, 9 R,
254/93 H, 133 R, 134
See application file for complete search history.

(57) **CLAIM**

The ornamental design for a lifting apparatus, as shown and described.

DESCRIPTION

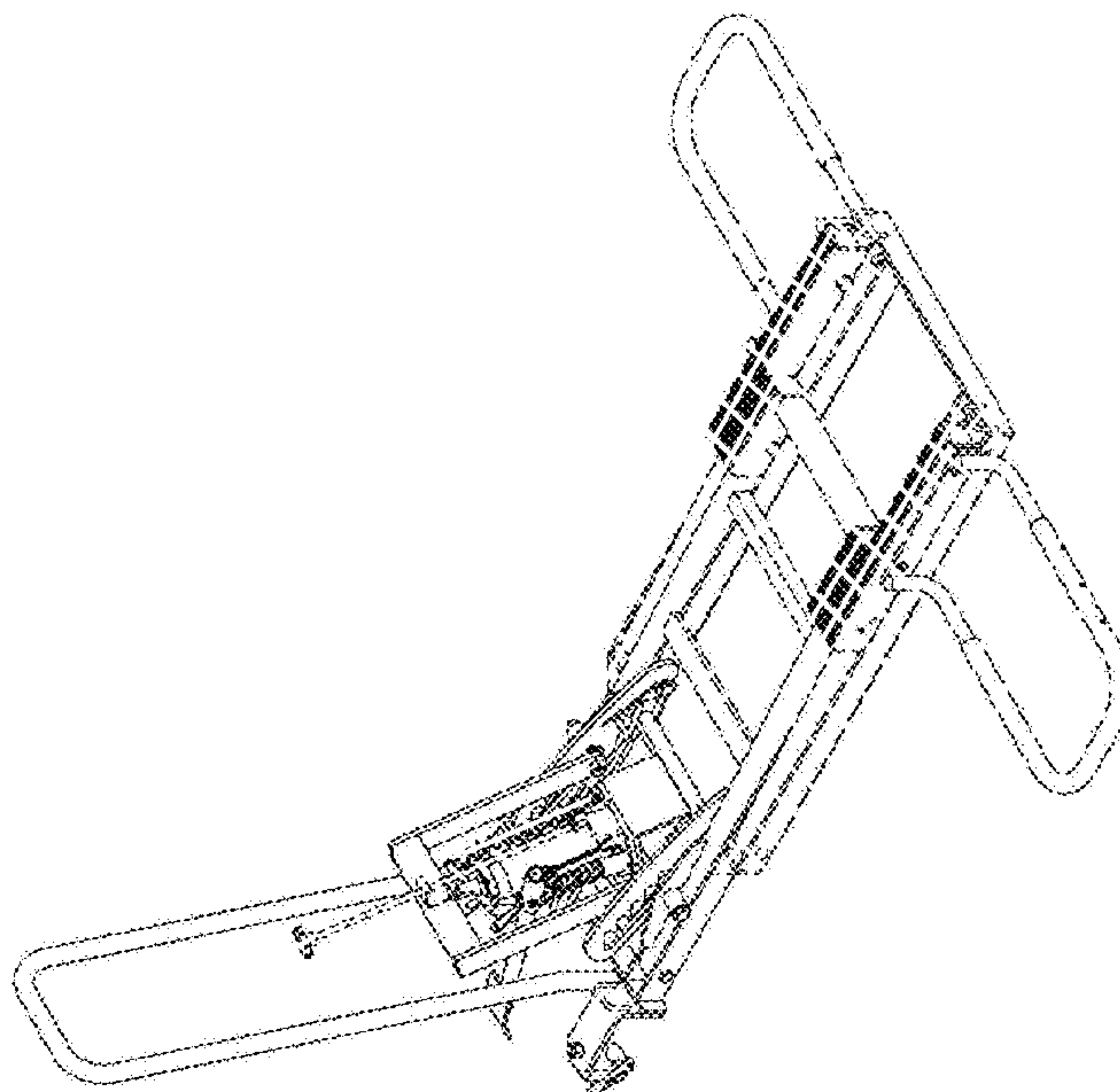
FIG. 1 is a perspective view of a lifting apparatus showing the new design.
FIG. 2 is a side view of the lifting apparatus of FIG. 1.
FIG. 3 is a front view of the lifting apparatus of FIG. 1.
FIG. 4 is a rear view of the lifting apparatus of FIG. 1.
FIG. 5 is a top view of the lifting apparatus of FIG. 1; and,
FIG. 6 is a bottom view of the lifting apparatus of FIG. 1.
All of the broken lines in the accompanying drawings illustrate environmental structure and form no part of the claimed design.

(56) **References Cited**

U.S. PATENT DOCUMENTS

2,361,544	A *	10/1944	Hastings, Jr.	280/46
D307,346	S *	4/1990	Kawana	D34/31
D307,498	S *	4/1990	Kawana	D34/31
4,984,657	A *	1/1991	Burns	187/207
5,271,603	A *	12/1993	White	254/10 C
D344,835	S *	3/1994	MacEachern	D34/31
D346,255	S *	4/1994	Francis et al.	D34/31
D378,155	S *	2/1997	Bartow et al.	D34/28

1 Claim, 6 Drawing Sheets



(56)

References Cited

OTHER PUBLICATIONS

Statement Regarding Prior Art by Justin Poplin dated Jul. 21, 2010.
Select File History from U.S. Appl. No. 12/763,749 dated Jun. 11,
2012 through Apr. 23, 2013, 85 pages.

Notice of Allowance issued in related U.S. Appl. No. 29/447,654
dated May 23, 2013, 8 pages.

Operating Instructions & Parts Manual, Omega Lift Equipment
Model No. 49154 (2002).

ASME PALD-2005, Part 17: Vehicle Transport Lifts (2005).

* cited by examiner

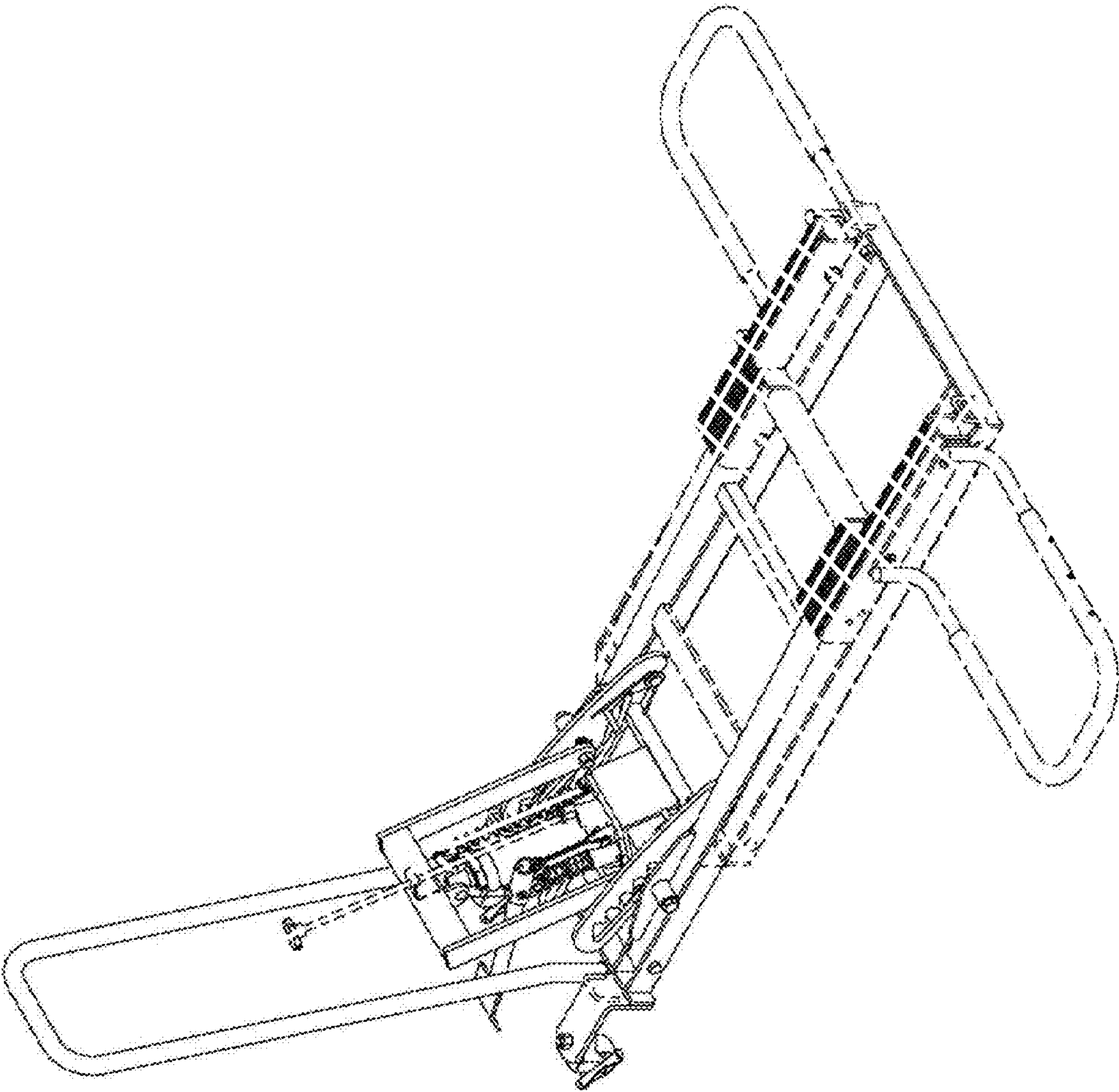


FIG. 1

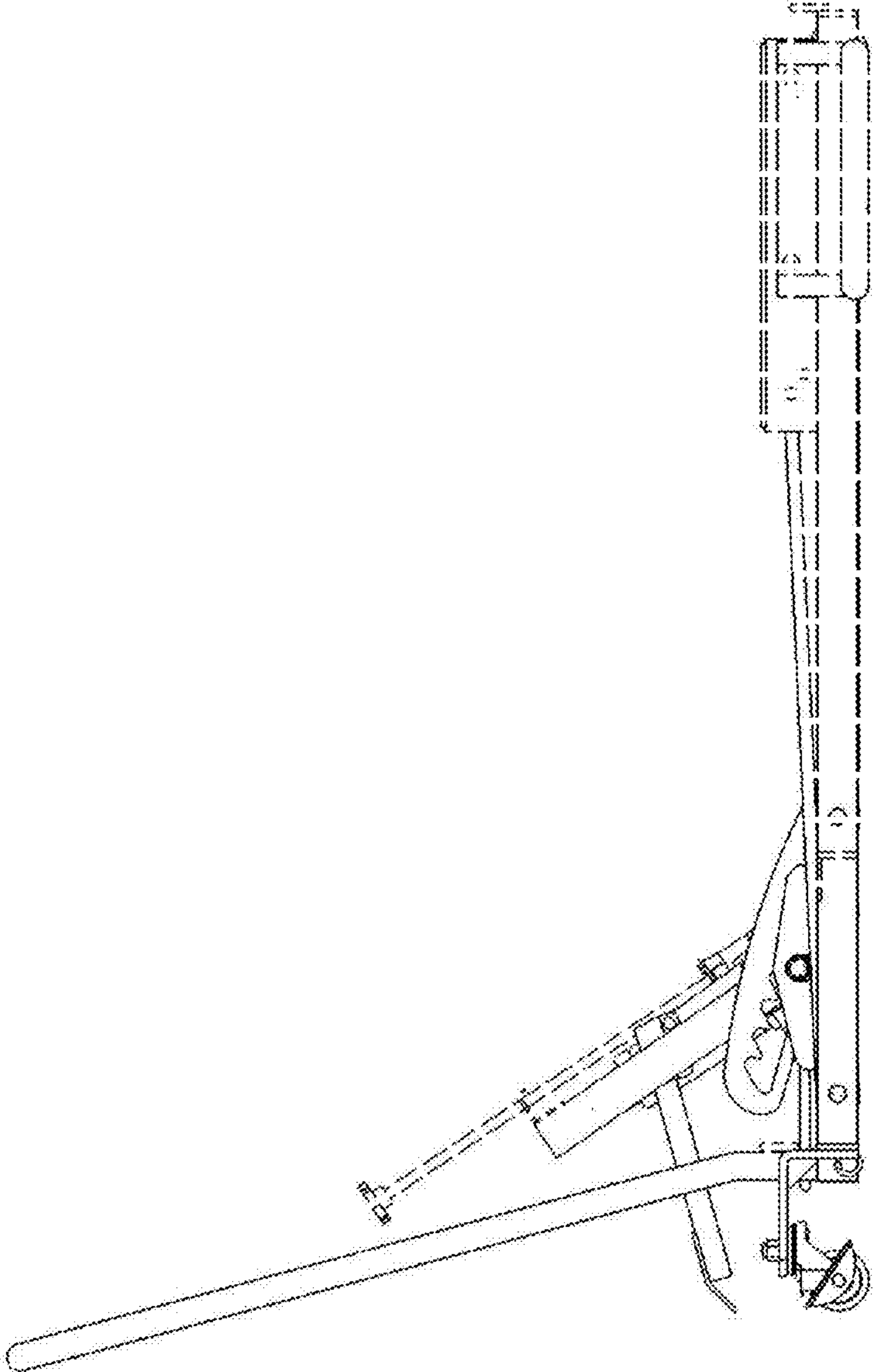


FIG. 2

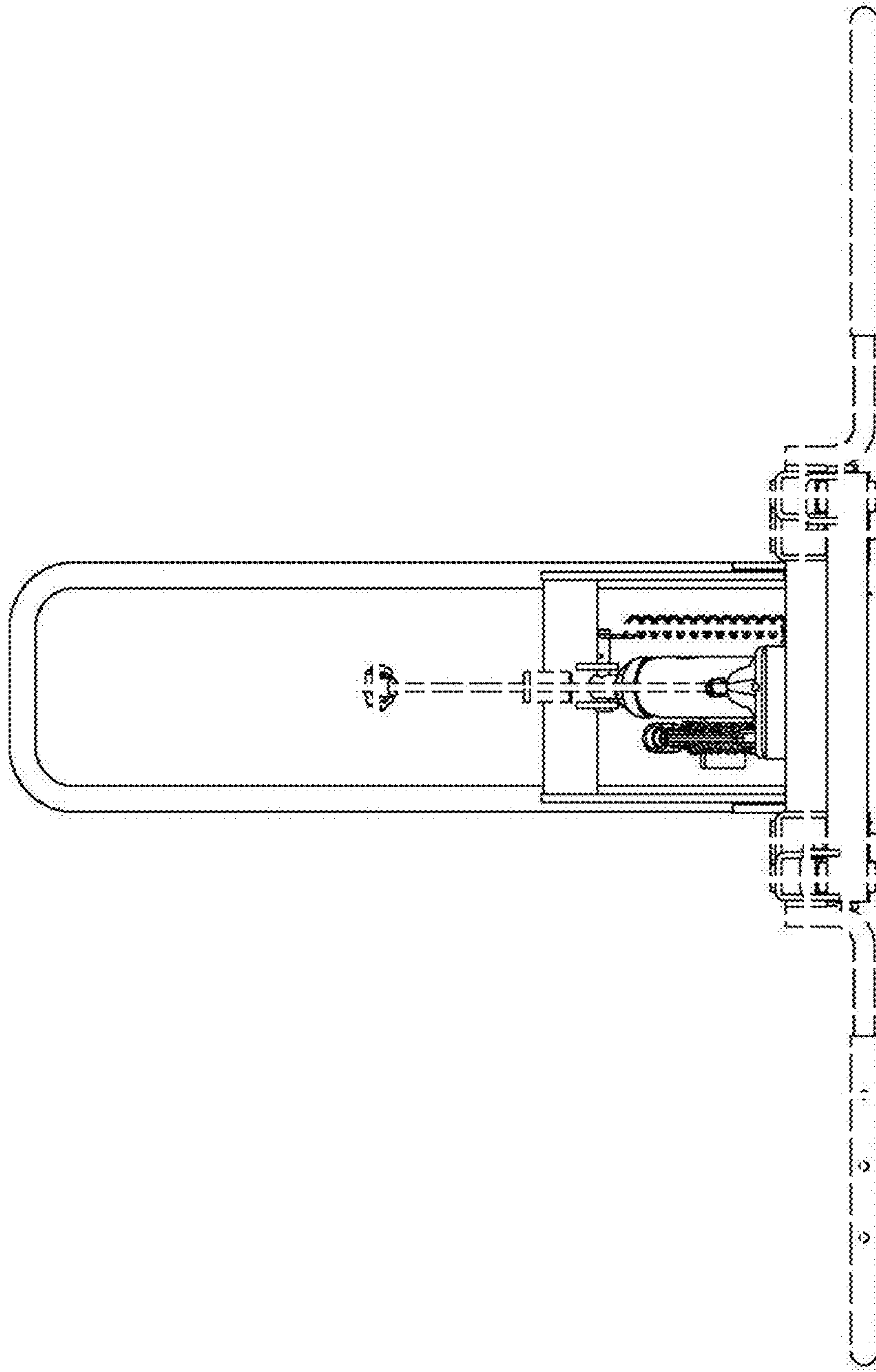


FIG. 3

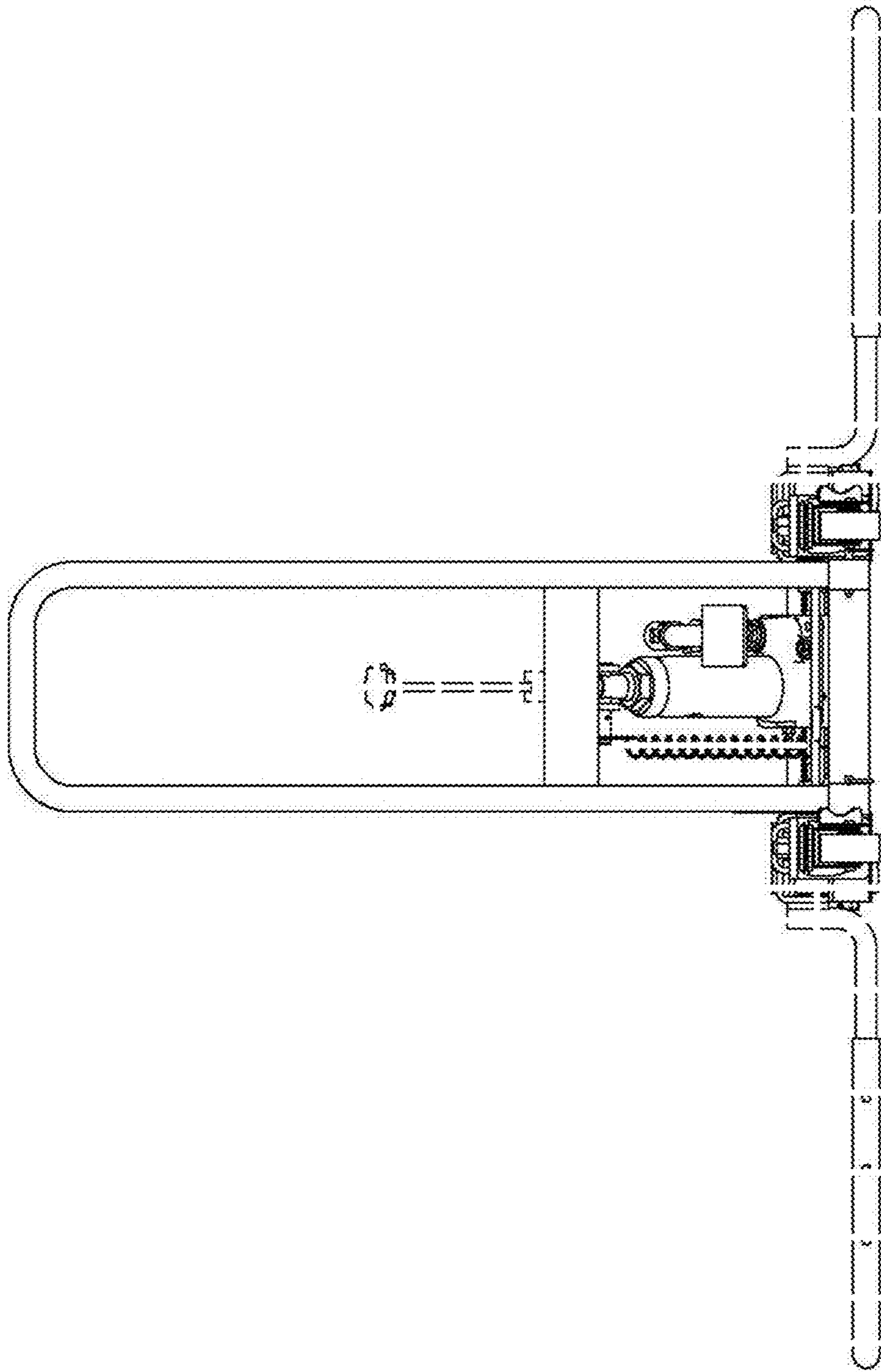


FIG. 4

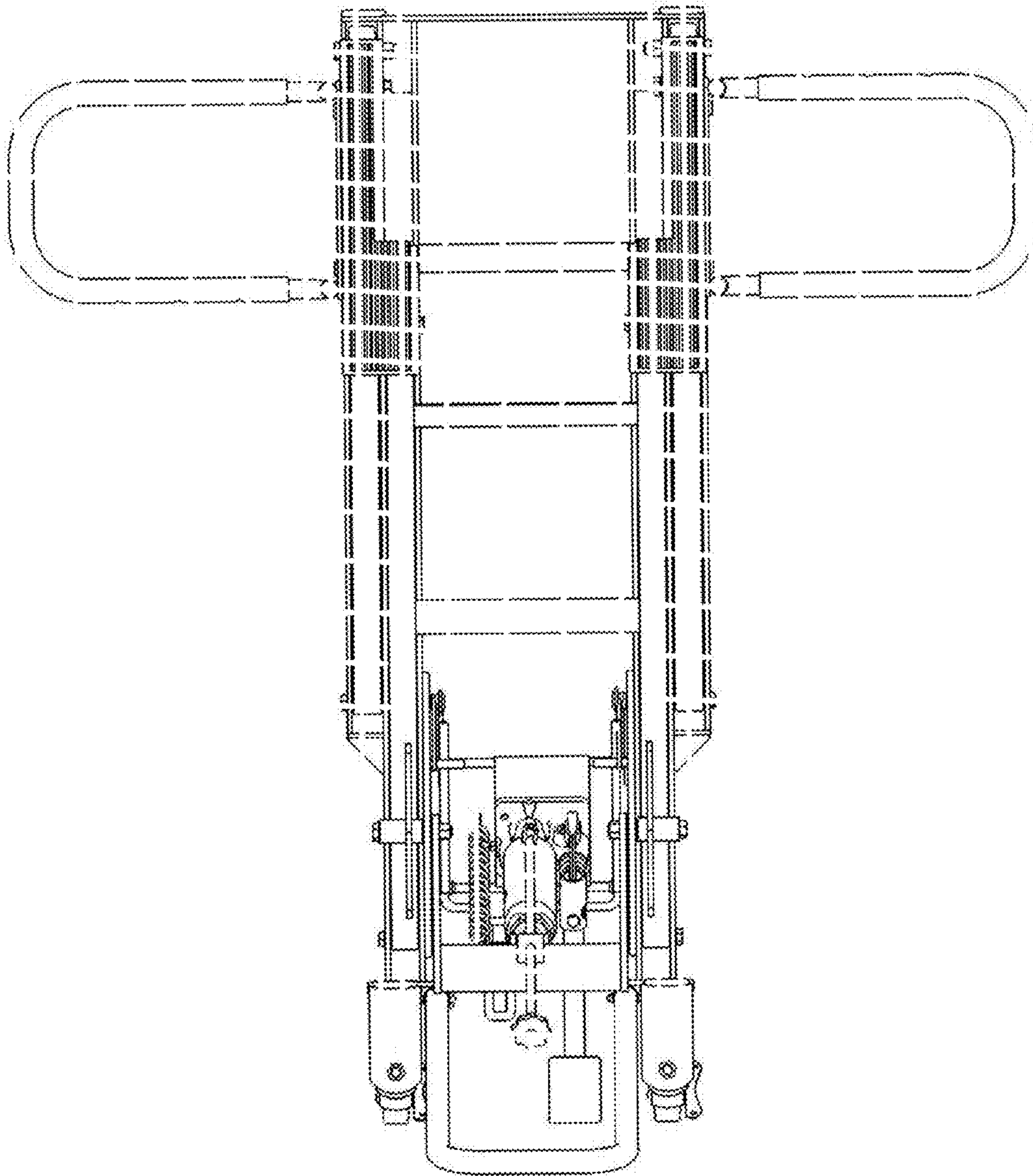


FIG. 5

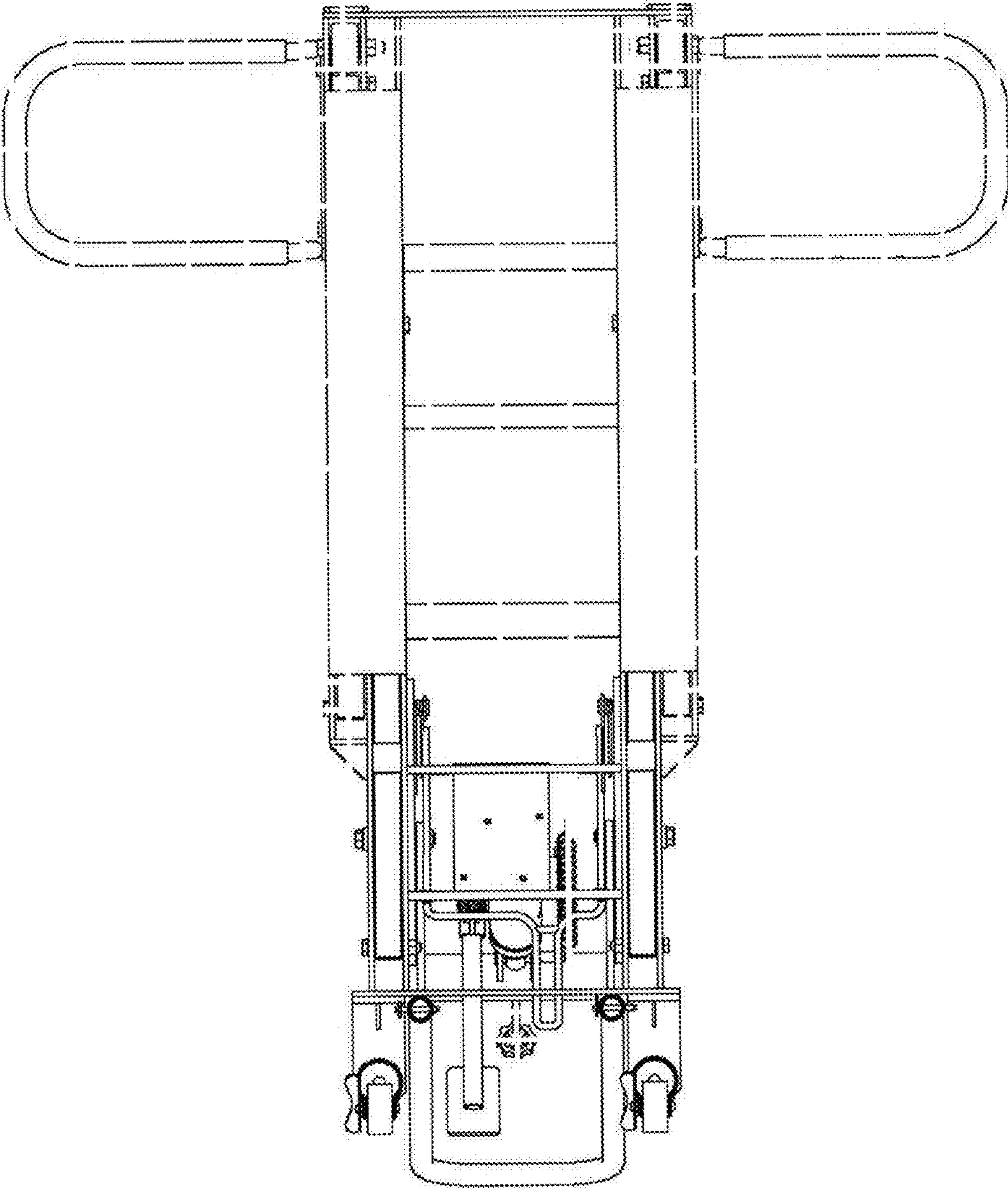


FIG. 6