



US00D688015S

(12) **United States Design Patent**
Wilson

(10) **Patent No.:** **US D688,015 S**

(45) **Date of Patent:** **** Aug. 13, 2013**

(54) **SURFACE CLEANER**

(76) Inventor: **Ken Wilson**, San Diego, CA (US)

(**) Term: **14 Years**

(21) Appl. No.: **29/408,870**

(22) Filed: **Dec. 16, 2011**

(51) **LOC (9) Cl.** **08-99**

(52) **U.S. Cl.**
USPC **D32/35**

(58) **Field of Classification Search**
USPC D32/35, 40, 41, 42, 45, 52; D19/41-51,
D19/57, 66, 71; D9/529, 725, 726; D4/119,
D4/122, 137, 138, 199; D3/208; D28/85,
D28/88, 89; 15/104.002, 104.94, 209.1, 105,
15/214, 250.001, 250.003; 401/6, 9, 19, 55,
401/61, 82, 99, 118, 123, 124, 195, 196,
401/202; 206/229; 134/6; 510/175
See application file for complete search history.

(56) **References Cited**

U.S. PATENT DOCUMENTS

1,261,502	A *	4/1918	Farrows	401/99
2,177,651	A *	10/1939	Harris	401/19
3,021,946	A *	2/1962	Harris	401/61
4,818,134	A *	4/1989	Tsai	401/195
4,842,132	A *	6/1989	Wells	206/229
4,927,284	A *	5/1990	Tsai	401/195
5,163,767	A *	11/1992	Lucas	401/202
5,475,891	A *	12/1995	Rickey	15/104.94
5,993,560	A *	11/1999	Wasak et al.	134/6
D420,807	S *	2/2000	Ottelman et al.	D4/119

6,964,941	B2 *	11/2005	Argentieri et al.	510/175
6,981,811	B2 *	1/2006	Breidenbach et al.	401/6
D566,360	S *	4/2008	Ungaro	D32/35
D630,010	S *	1/2011	Brown	D3/208
2002/0197093	A1 *	12/2002	Miyagawa et al.	401/82
2007/0009315	A1 *	1/2007	Wu	401/123

* cited by examiner

Primary Examiner — Caron D Veynar

Assistant Examiner — Martie K Holtje

(74) *Attorney, Agent, or Firm* — S McPherson IP Law

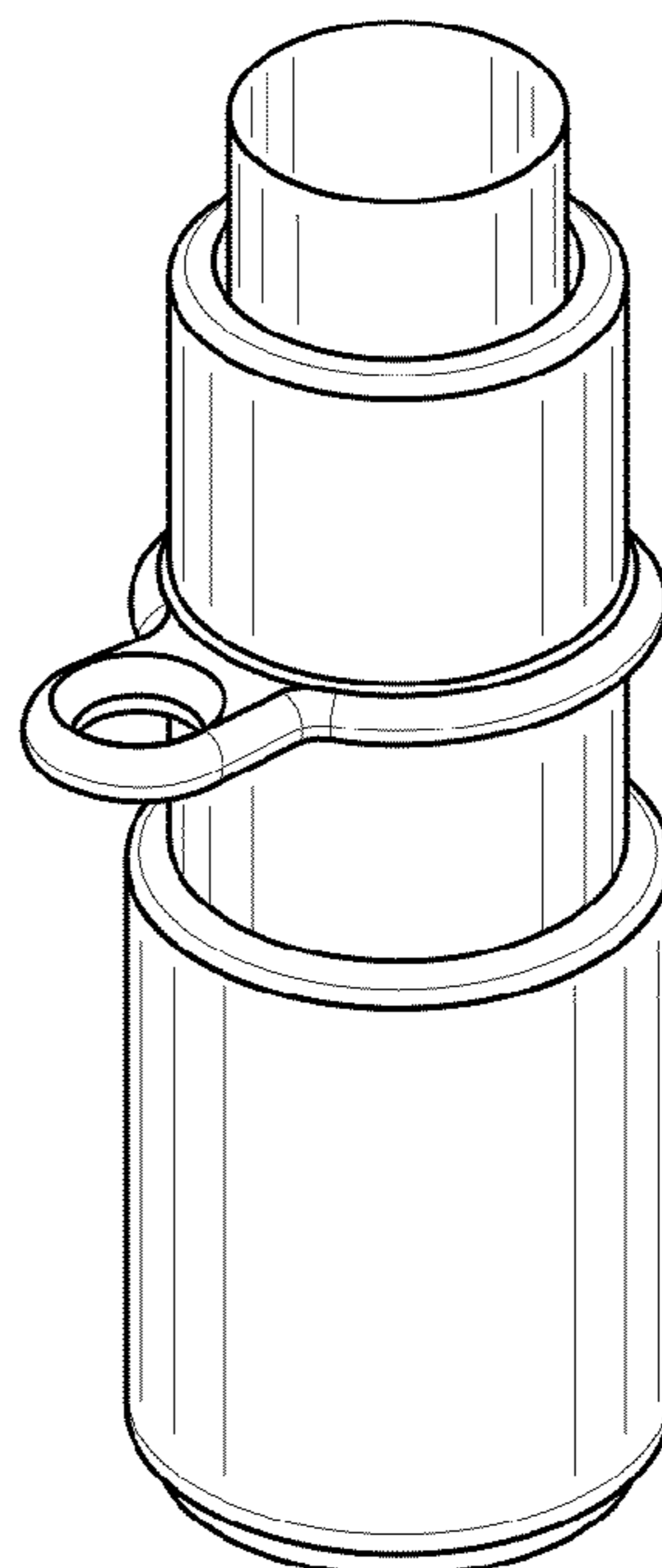
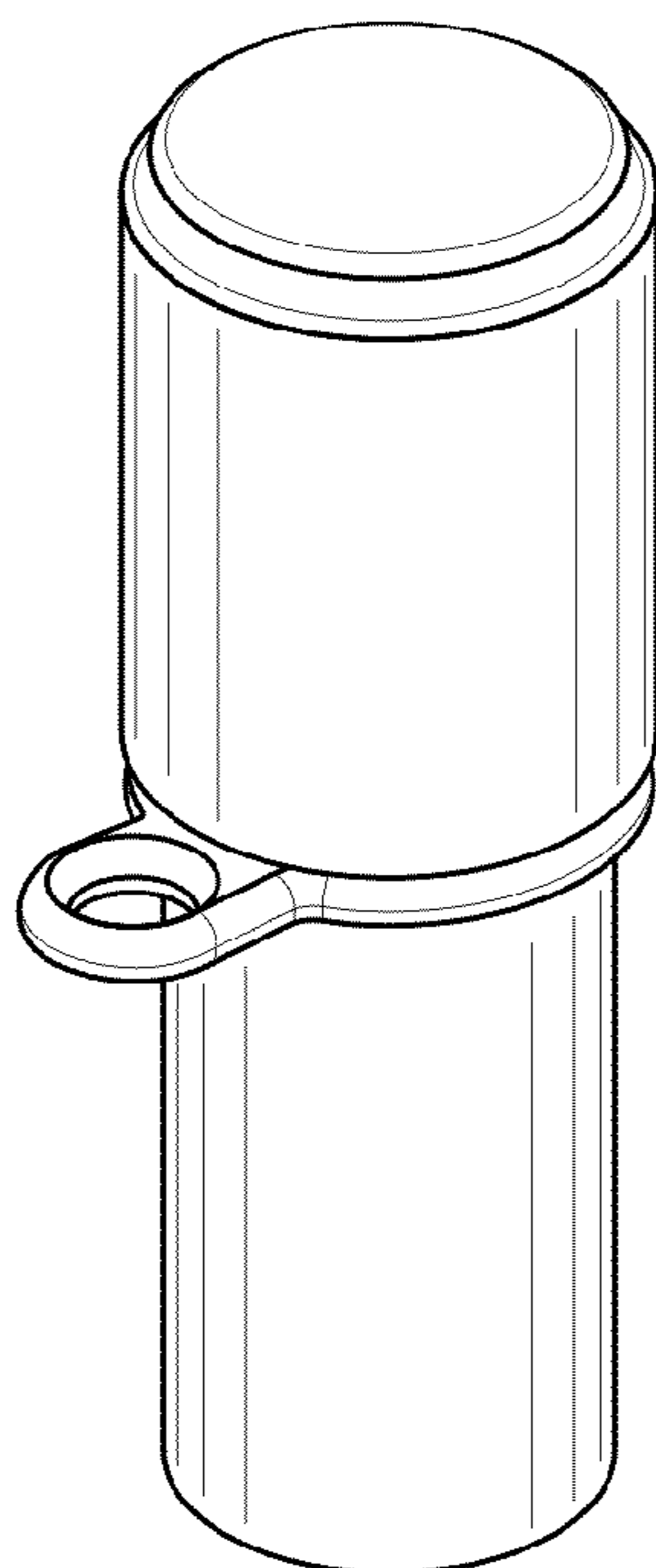
(57) **CLAIM**

The ornamental design for a surface cleaner, as shown and described.

DESCRIPTION

FIG. 1 is a perspective view of a surface cleaning showing our new design in the closed/stored position;
FIG. 2 is a top plan view thereof;
FIG. 3 is a bottom plan view thereof;
FIG. 4 is a side elevational view thereof
FIG. 5 is a front elevational view thereof; and
FIG. 6 is a rear elevational view thereof;
FIG. 7 is a perspective view of a surface cleaning showing our new design in the open/in use position;
FIG. 8 is a top plan view thereof;
FIG. 9 is a bottom plan view thereof;
FIG. 10 is a side elevational view thereof
FIG. 11 is a front elevational view thereof; and,
FIG. 12 is a rear elevational view thereof.

1 Claim, 4 Drawing Sheets



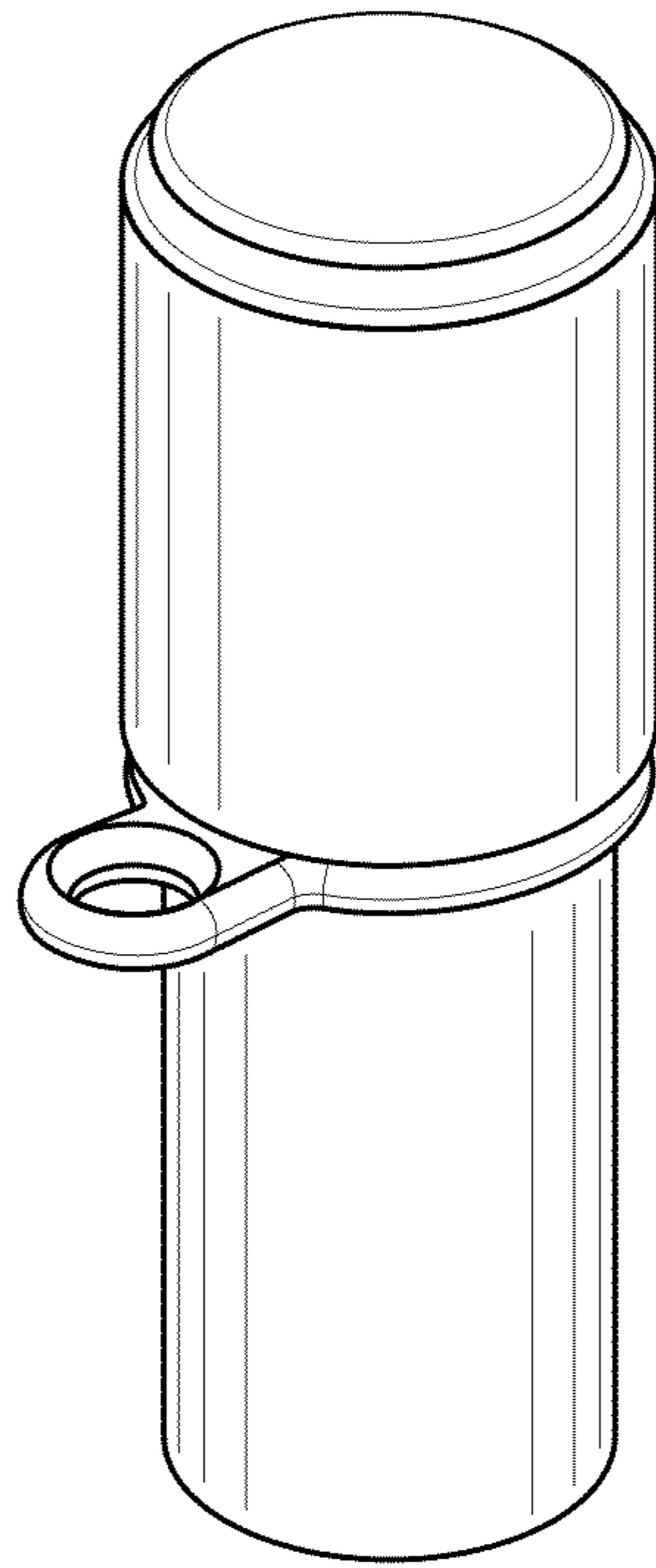


FIG. 1

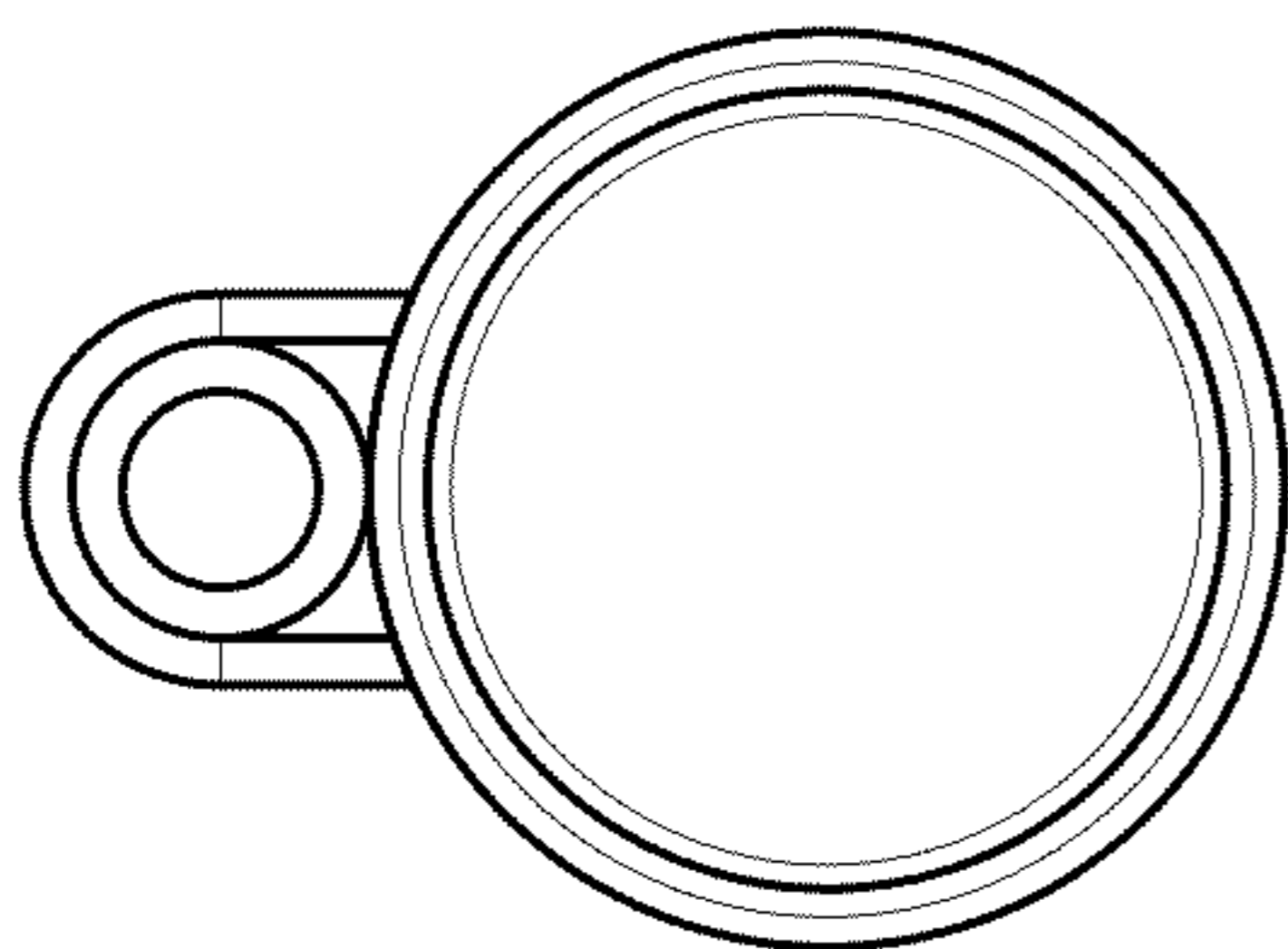


FIG. 2

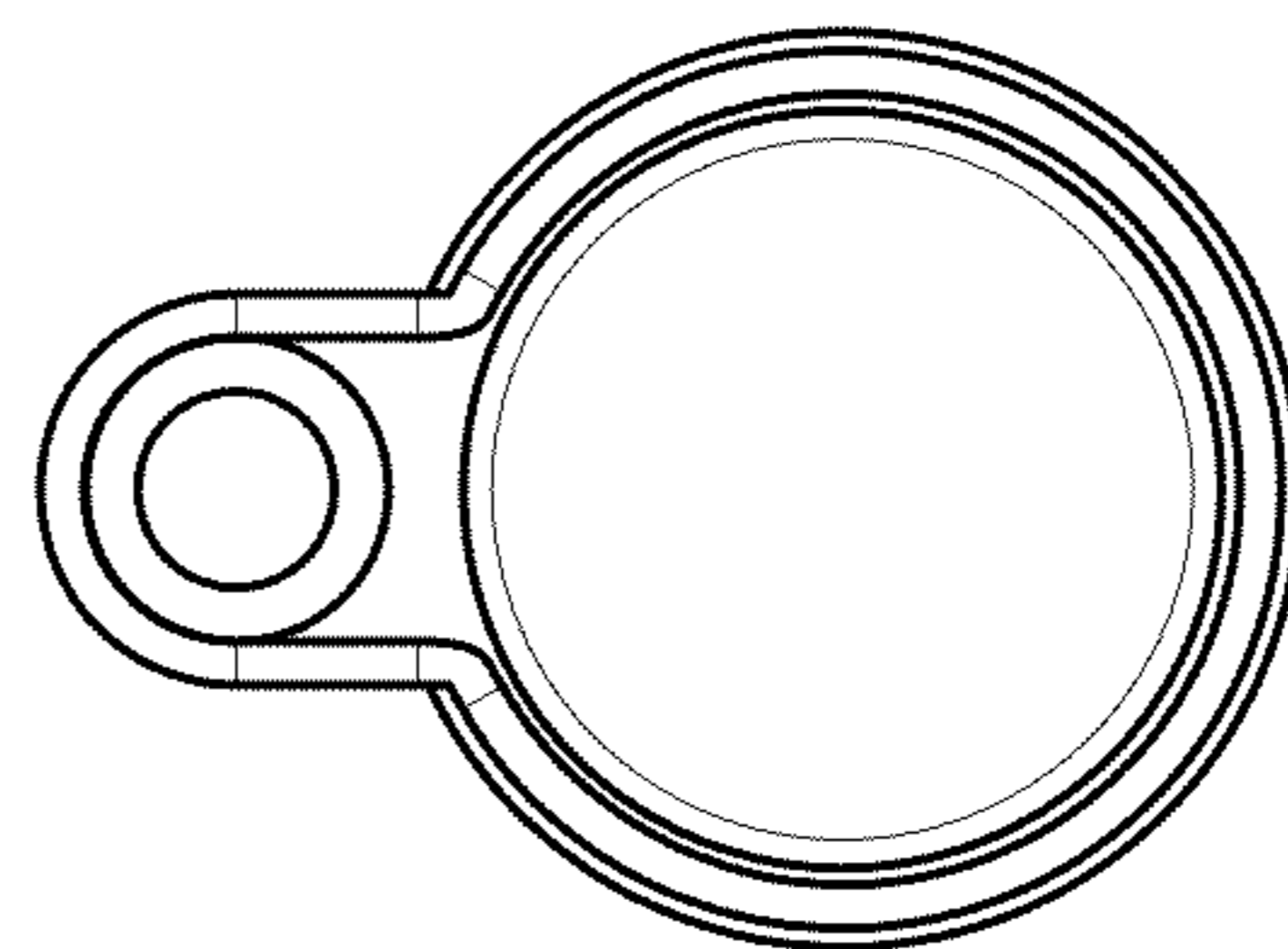


FIG. 3

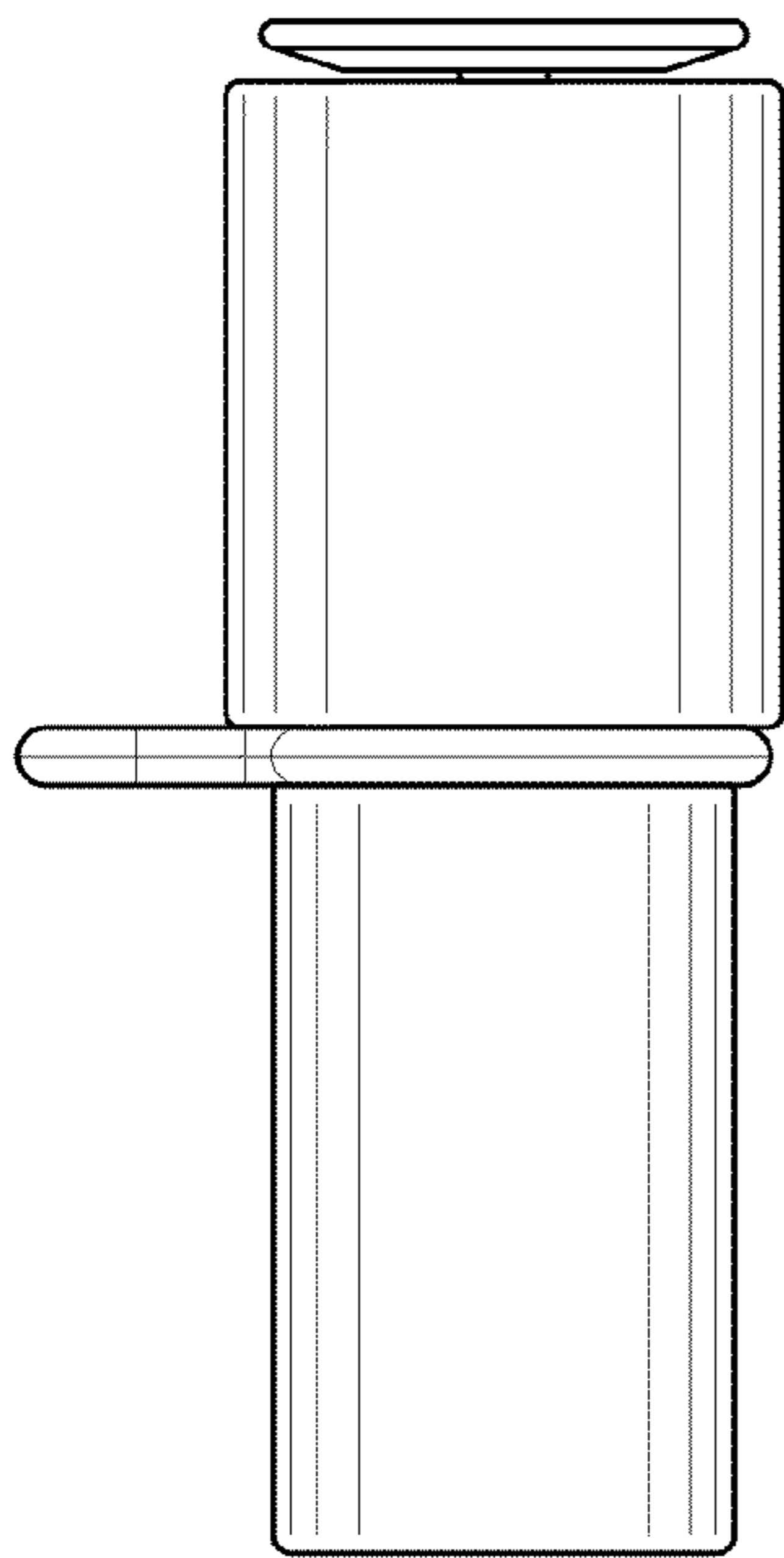


FIG. 4

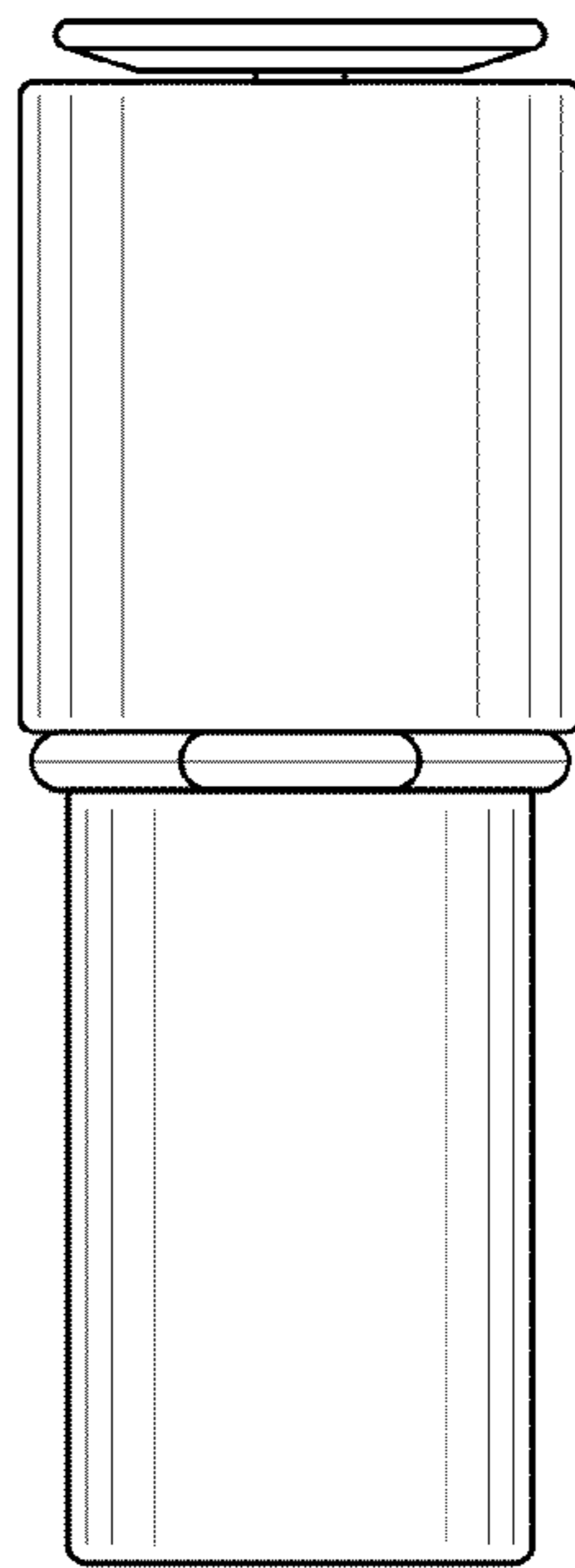


FIG. 5

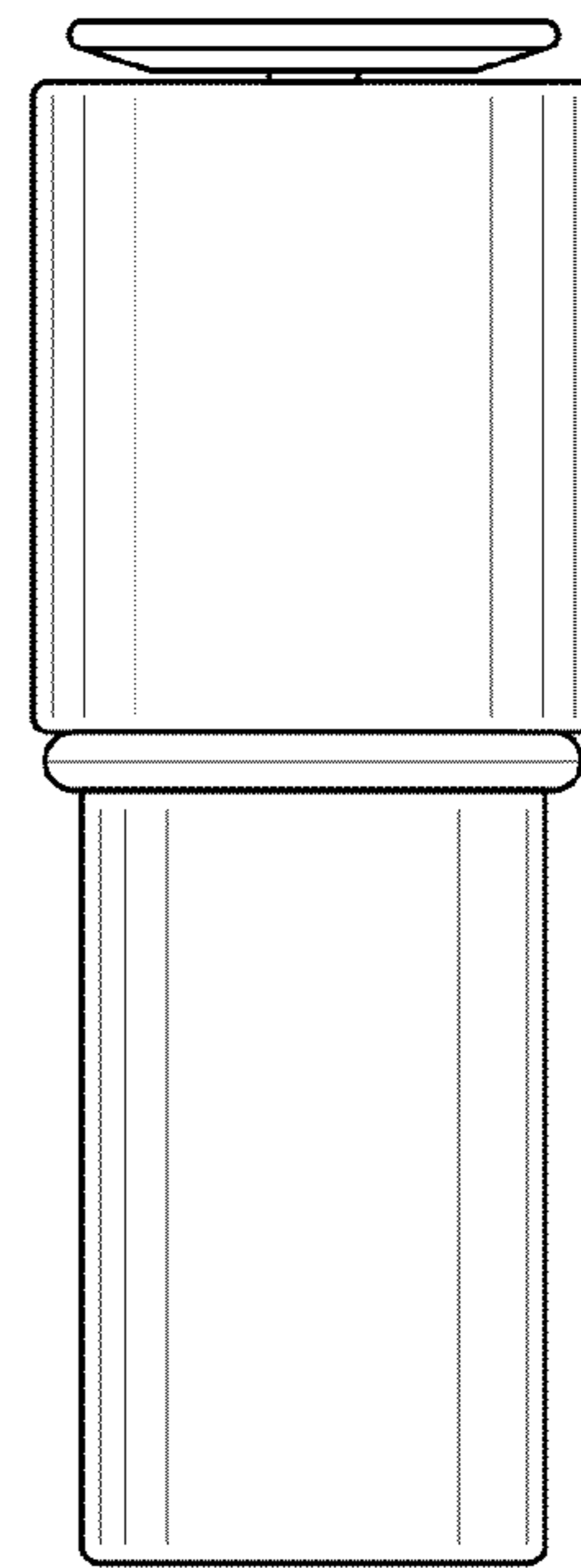


FIG. 6

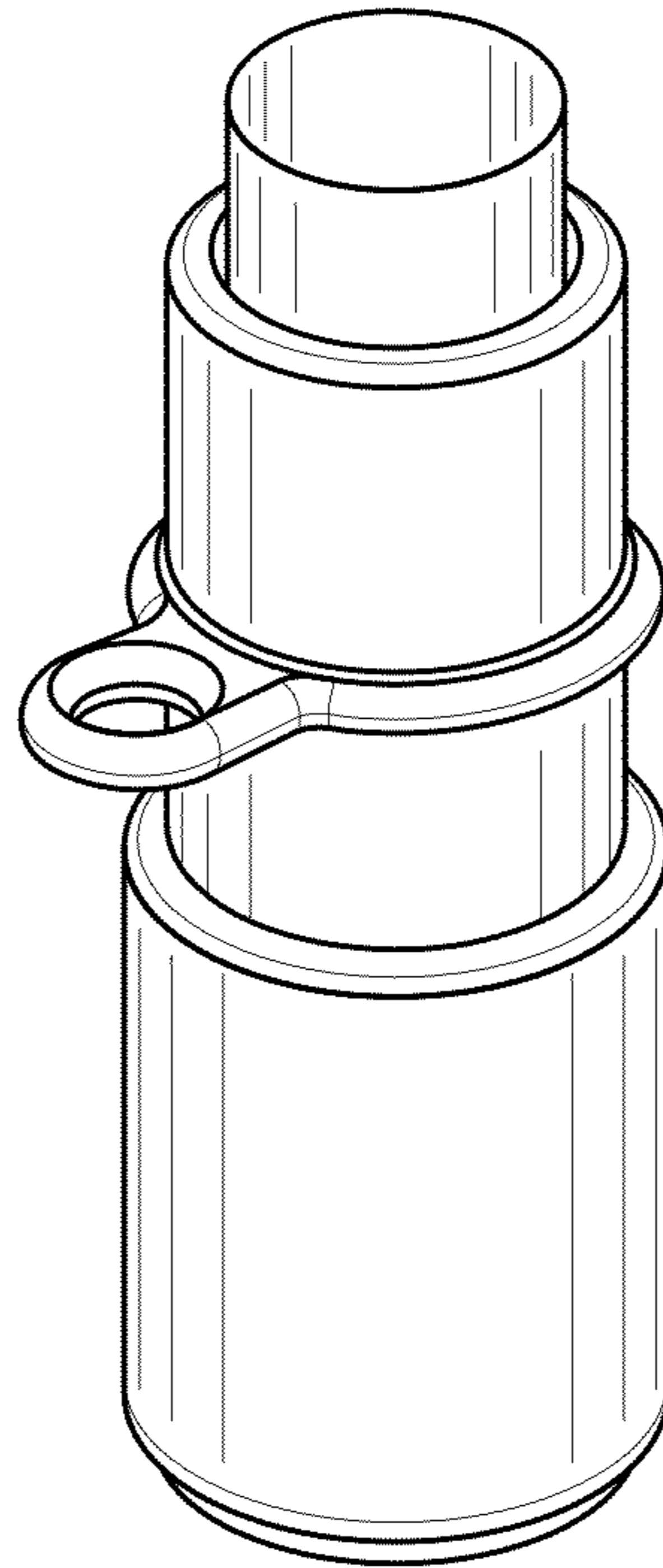


FIG. 7

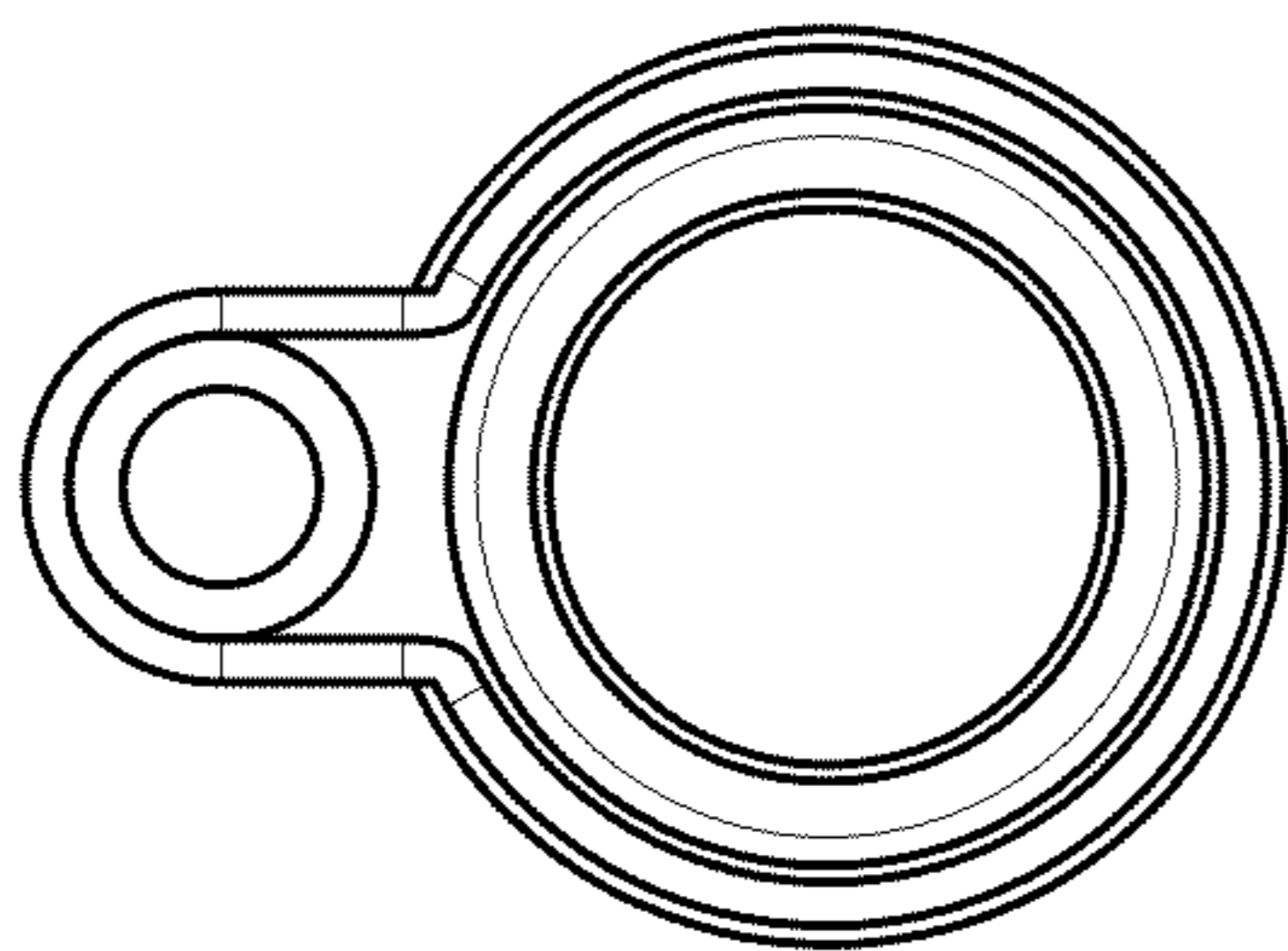


FIG. 8

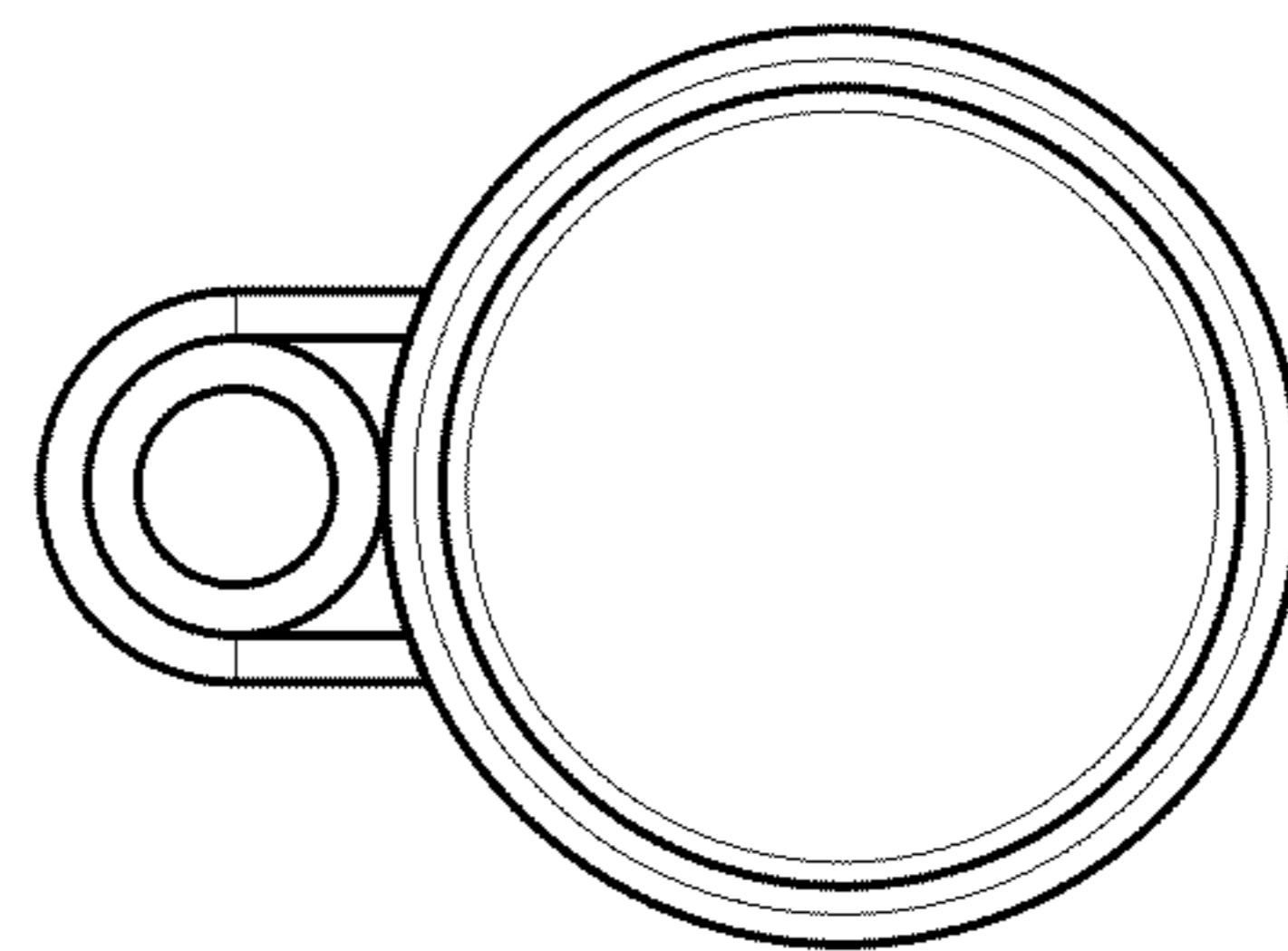


FIG. 9

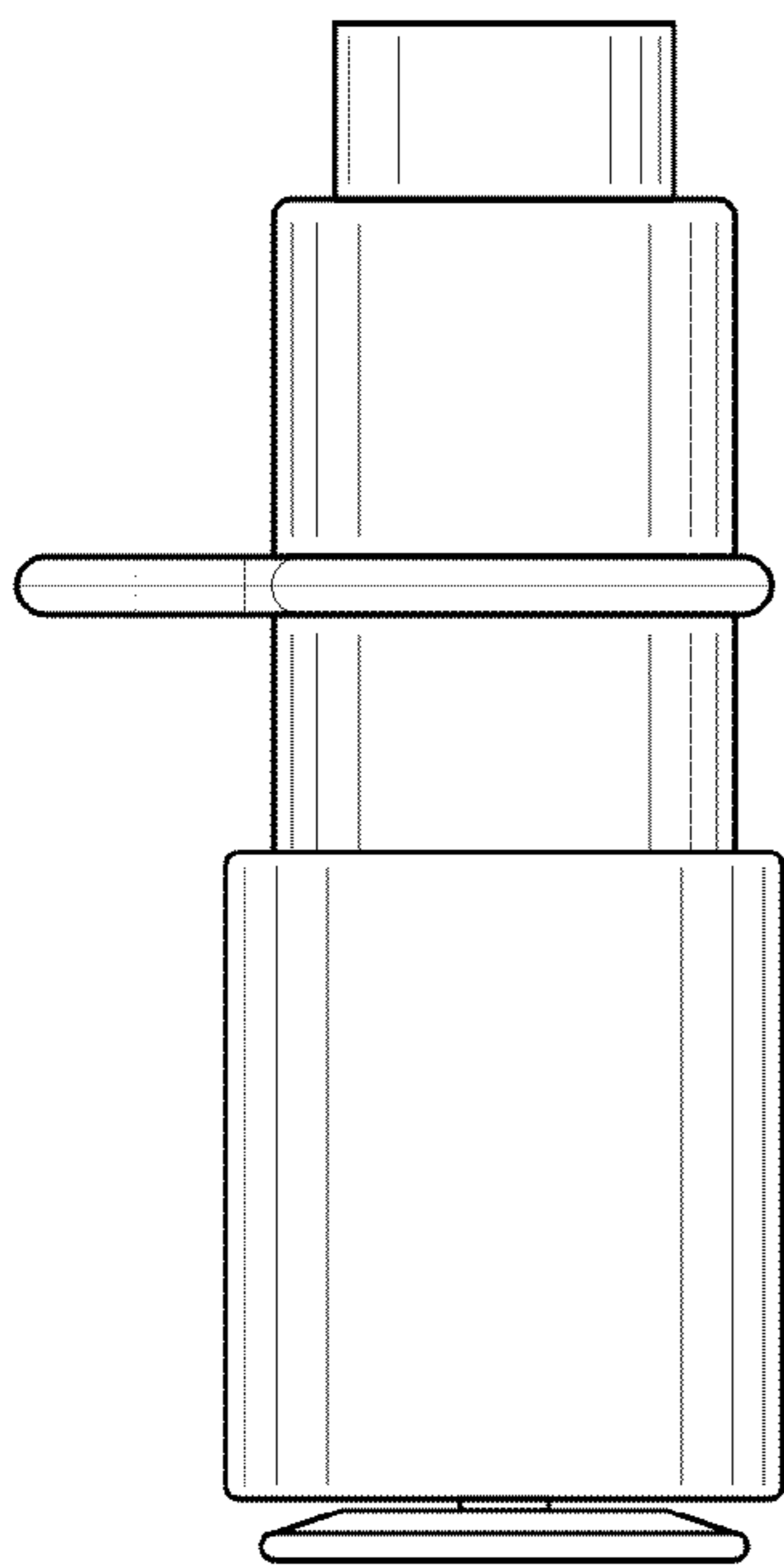


FIG. 10

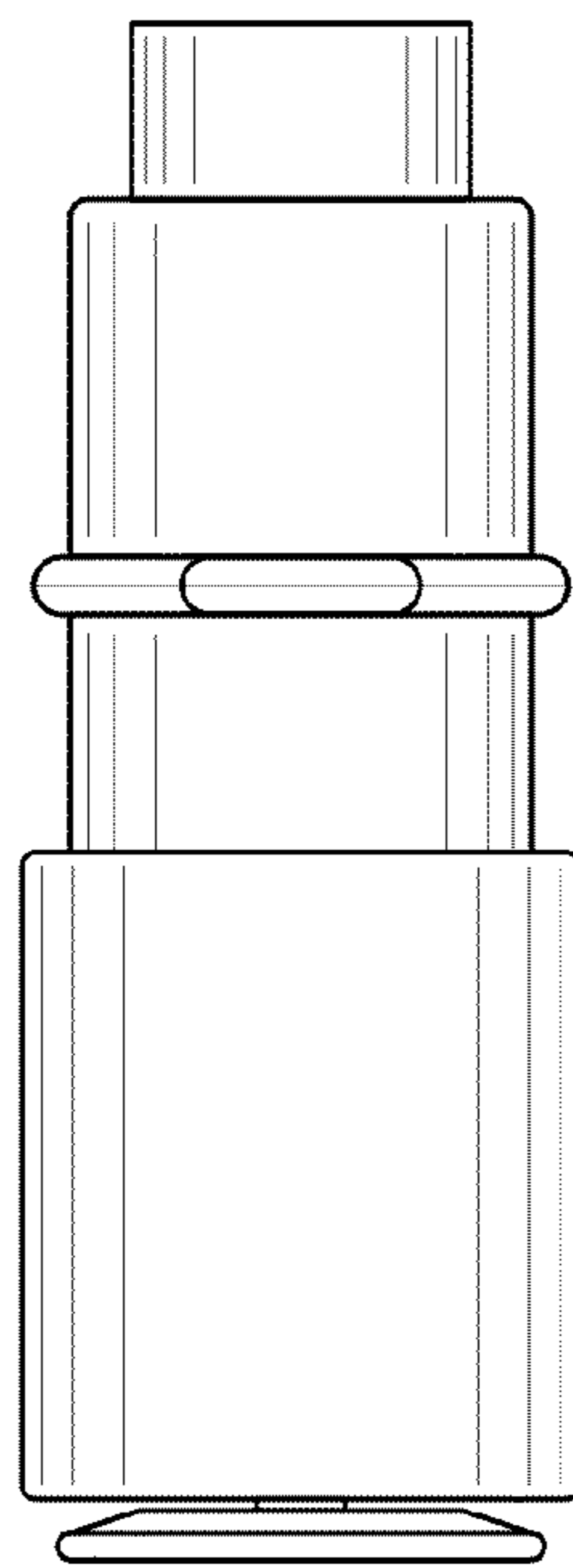


FIG. 11

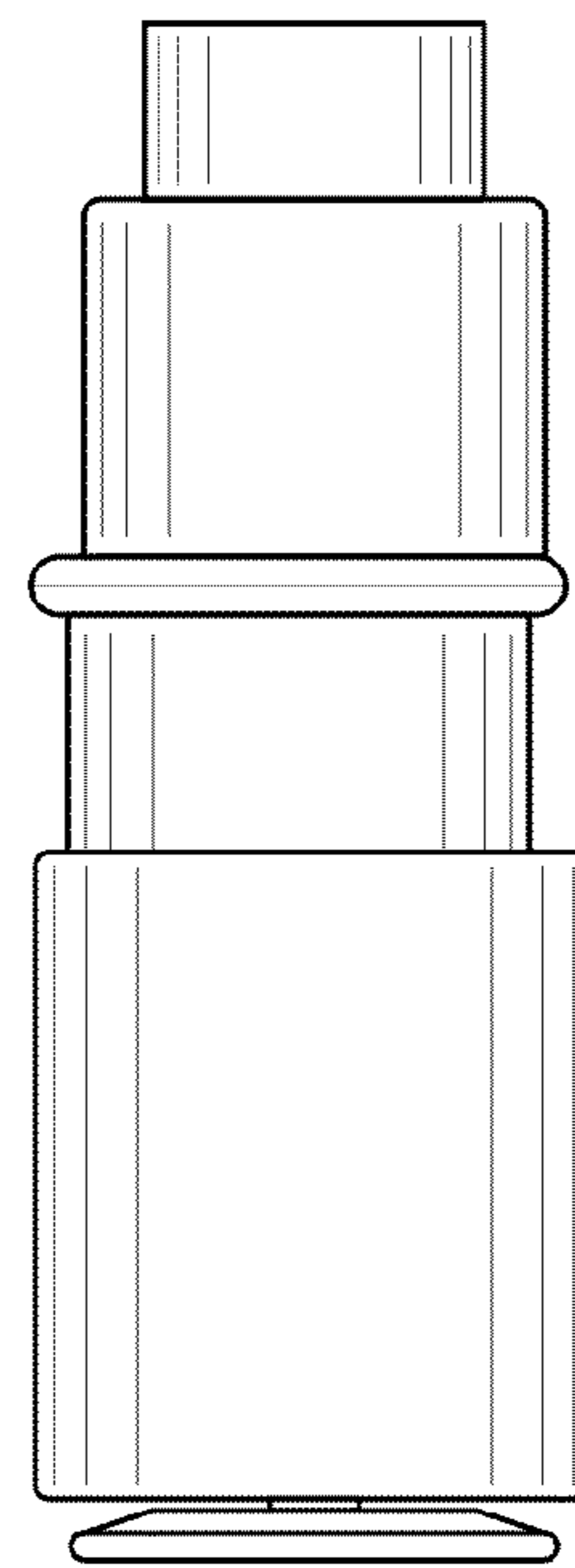


FIG. 12