



US00D688014S

(12) **United States Design Patent**
Santiago et al.

(10) **Patent No.:** **US D688,014 S**

(45) **Date of Patent:** **** Aug. 13, 2013**

(54) **VACUUM CLEANER FOOT**

(75) Inventors: **Jose Carlito Santiago**, Grand Rapids, MI (US); **James Dangora**, Chicago, IL (US); **Jongho Nho**, Palatine, IL (US); **Clifford Krapfl**, Chicago, IL (US); **Ambreese Hill**, Grand Rapids, MI (US)

(73) Assignee: **BISSELL Homecar, Inc.**, Grand Rapids, MI (US)

(**) Term: **14 Years**

(21) Appl. No.: **29/409,822**

(22) Filed: **Dec. 29, 2011**

(51) **LOC (9) Cl.** **15-05**

(52) **U.S. Cl.**
USPC **D32/32**

(58) **Field of Classification Search**
USPC D32/21, 22, 31-34, 17, 42, 45, 50; 15/1.7, 15/415.1, 416-422.1, 414, 322, 353, 400, 15/327.1, 319, 366, 383, 179, 182, 41.1, 15/320, 403

See application file for complete search history.

(56) **References Cited**

U.S. PATENT DOCUMENTS

D411,669 S *	6/1999	Wareham	D32/32
D427,399 S *	6/2000	Thur et al.	D32/33
D439,383 S *	3/2001	Salo et al.	D32/32
D475,823 S *	6/2003	Medema et al.	D32/32
D487,602 S *	3/2004	Roberts et al.	D32/32
D506,048 S *	6/2005	Downey et al.	D32/32
D506,586 S *	6/2005	Carr et al.	D32/32
D508,153 S *	8/2005	Alford et al.	D32/32
D515,757 S *	2/2006	Leyden	D32/32

D541,498 S *	4/2007	Moine et al.	D32/32
D544,663 S *	6/2007	Medema et al.	D32/32
D546,008 S *	7/2007	Scheifele et al.	D32/32
D553,314 S *	10/2007	Parr et al.	D32/32
D564,157 S *	3/2008	Seon	D32/32
D570,568 S *	6/2008	Paredes et al.	D32/32
D570,569 S *	6/2008	Brown	D32/32
D571,066 S *	6/2008	Luebbering	D32/32
D593,266 S *	5/2009	Baek	D32/32
D597,267 S *	7/2009	Santiago	D32/32
D605,371 S *	12/2009	Baek	D32/32
D622,460 S *	8/2010	Hill et al.	D32/32
D622,461 S *	8/2010	Hill	D32/32
D622,462 S *	8/2010	Santiago et al.	D32/32
D622,464 S *	8/2010	Luyckx et al.	D32/32
D623,368 S *	9/2010	Benacquisto et al.	D32/32
D644,802 S *	9/2011	Park et al.	D32/32

* cited by examiner

Primary Examiner — Ruth McInroy

(74) *Attorney, Agent, or Firm* — McGarry Bair PC

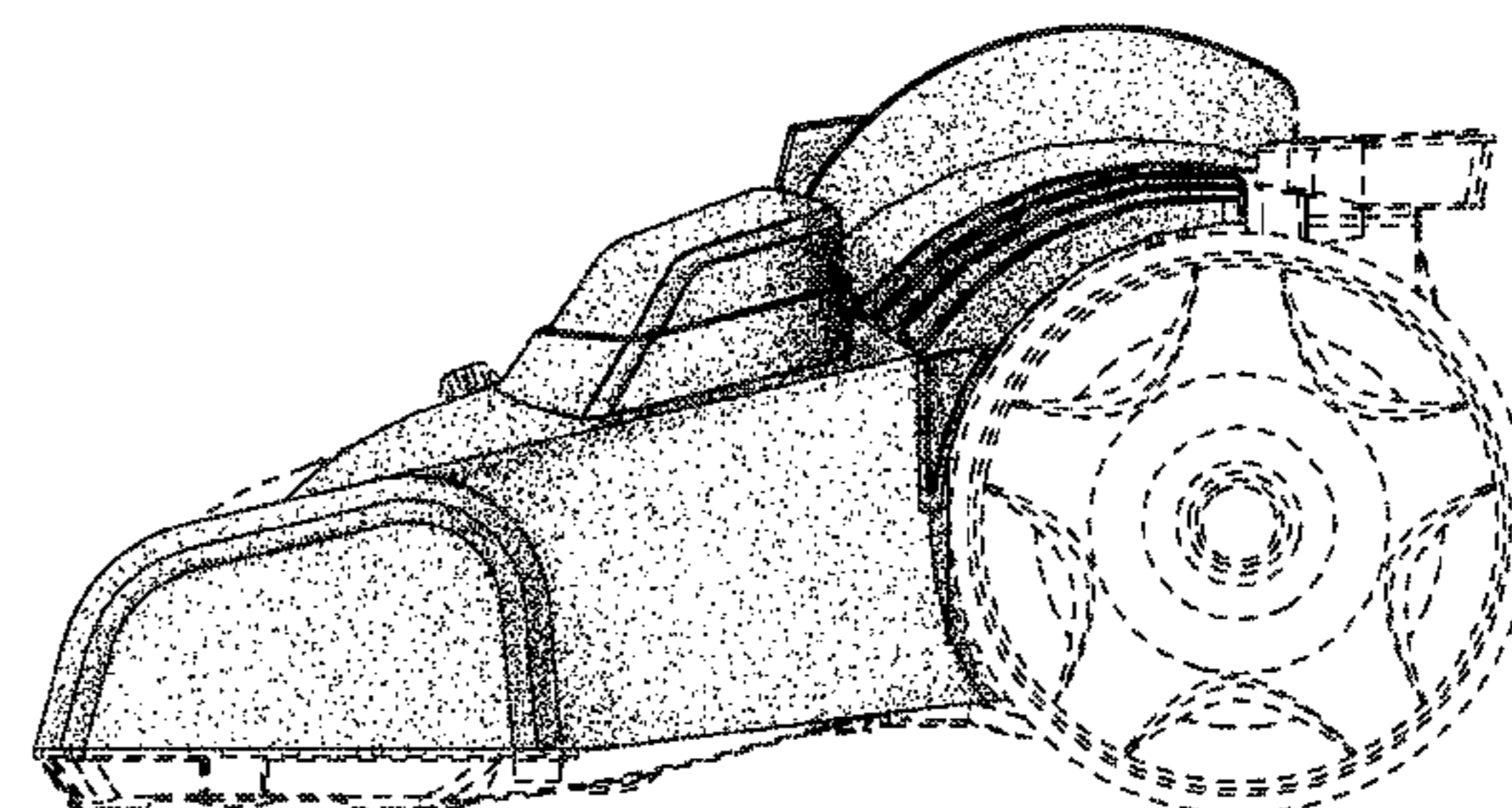
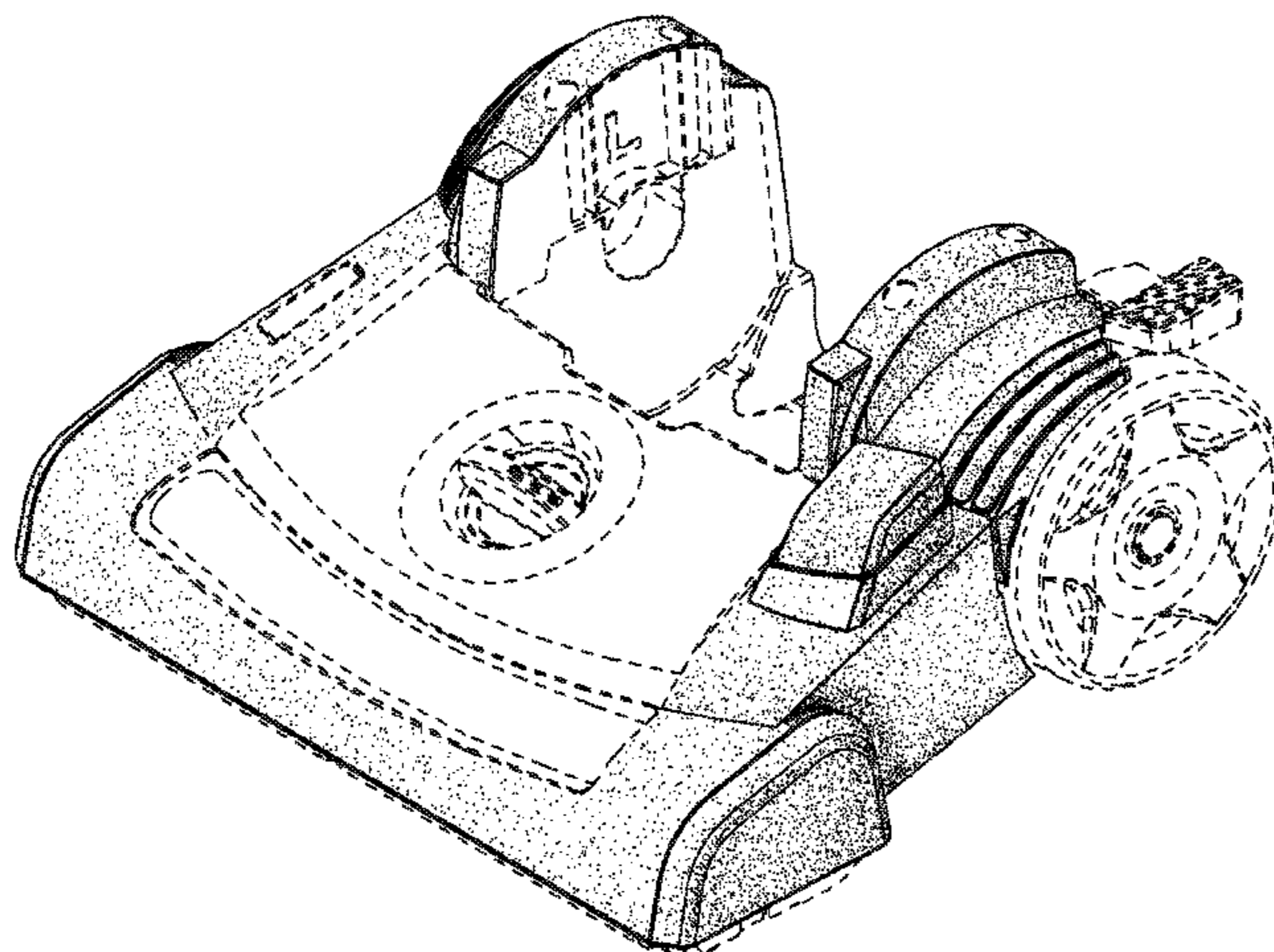
(57) **CLAIM**

The ornamental design for a vacuum cleaner foot, as shown and described.

DESCRIPTION

FIG. 1 is a front perspective view of a vacuum cleaner foot which embodies our design; FIG. 2 is a front view thereof; FIG. 3 is a rear view thereof; FIG. 4 is a left side view thereof; FIG. 5 is a right side view thereof; and, FIG. 6 is a top side view thereof. The details shown in broken lines form no part of the claimed design.

1 Claim, 4 Drawing Sheets



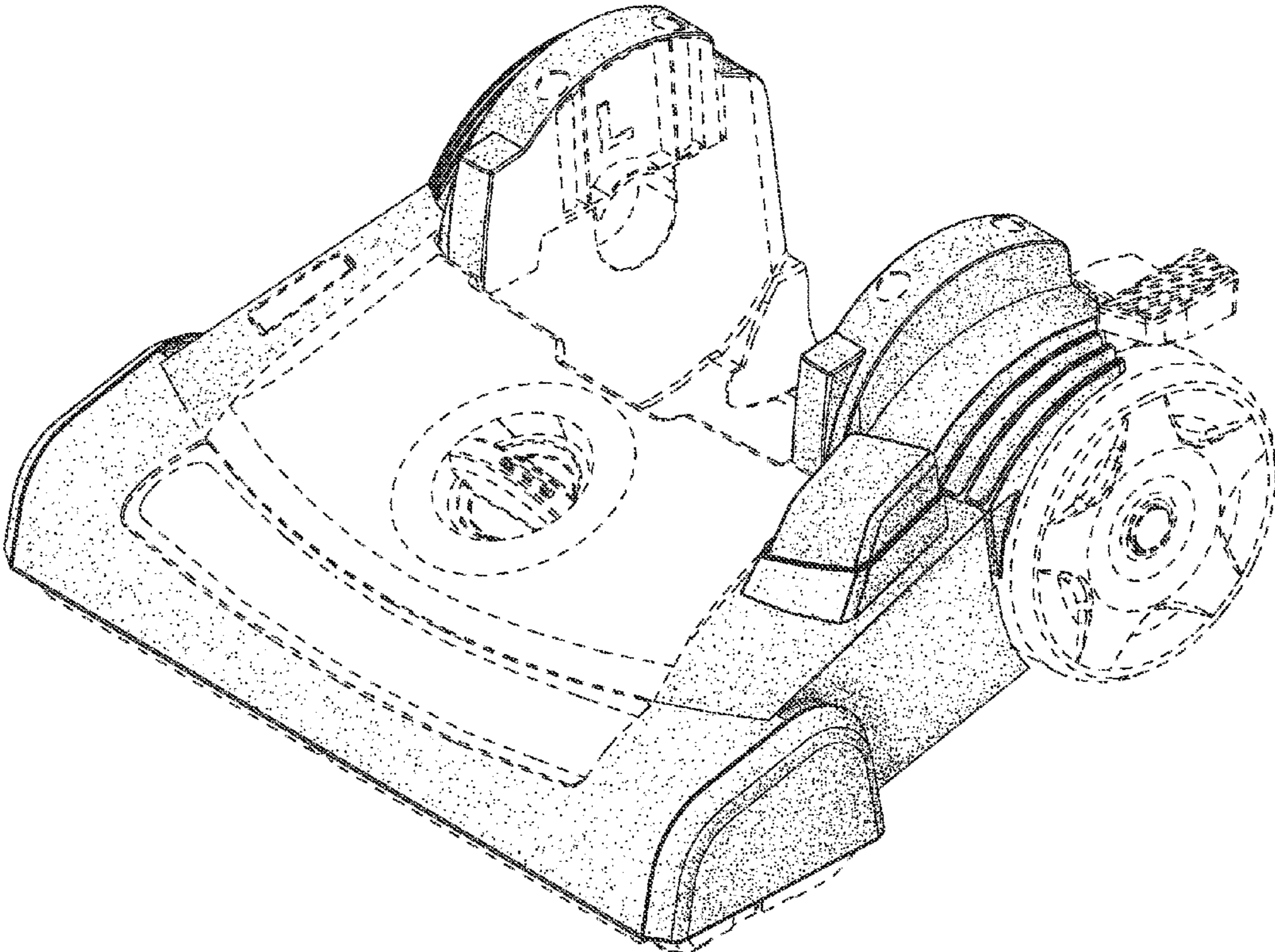


Fig. 1

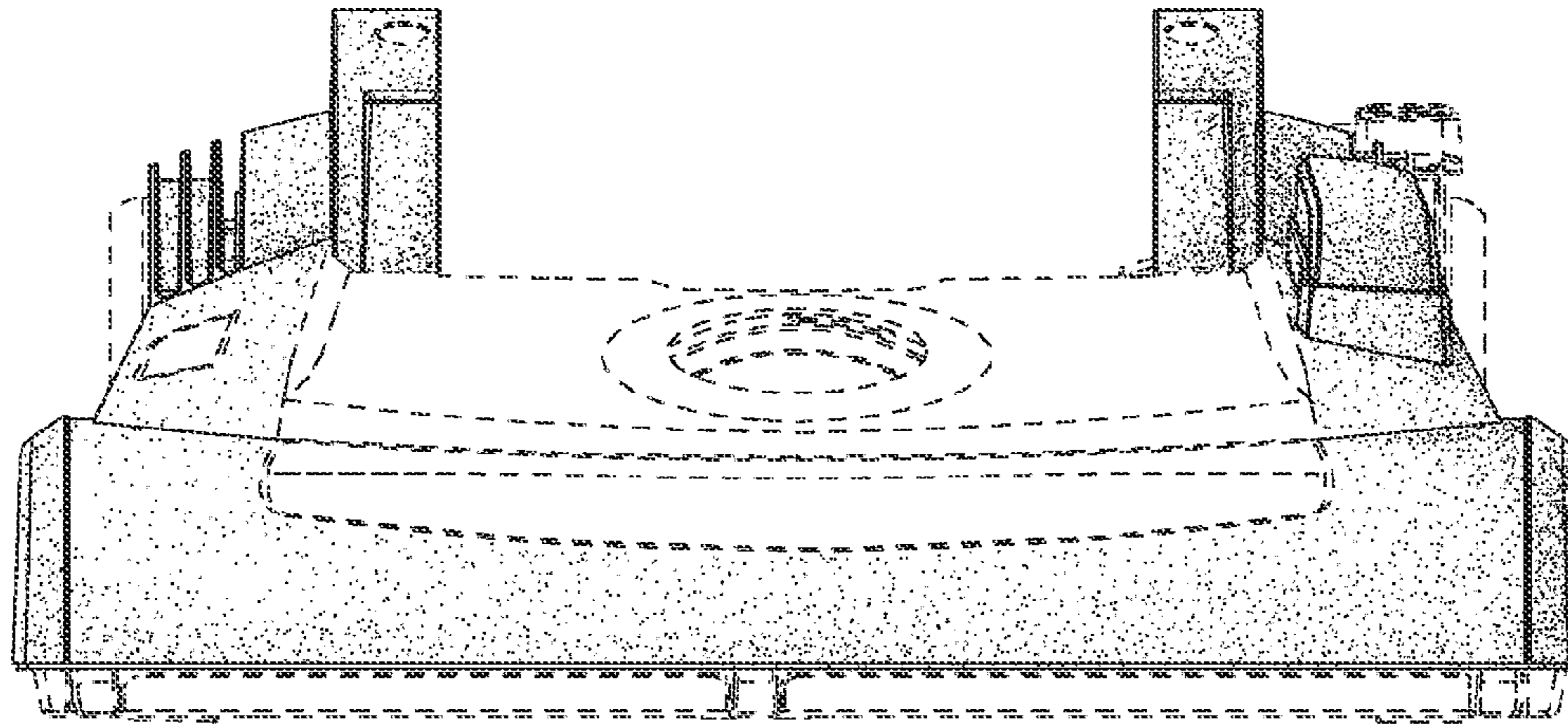


Fig. 2

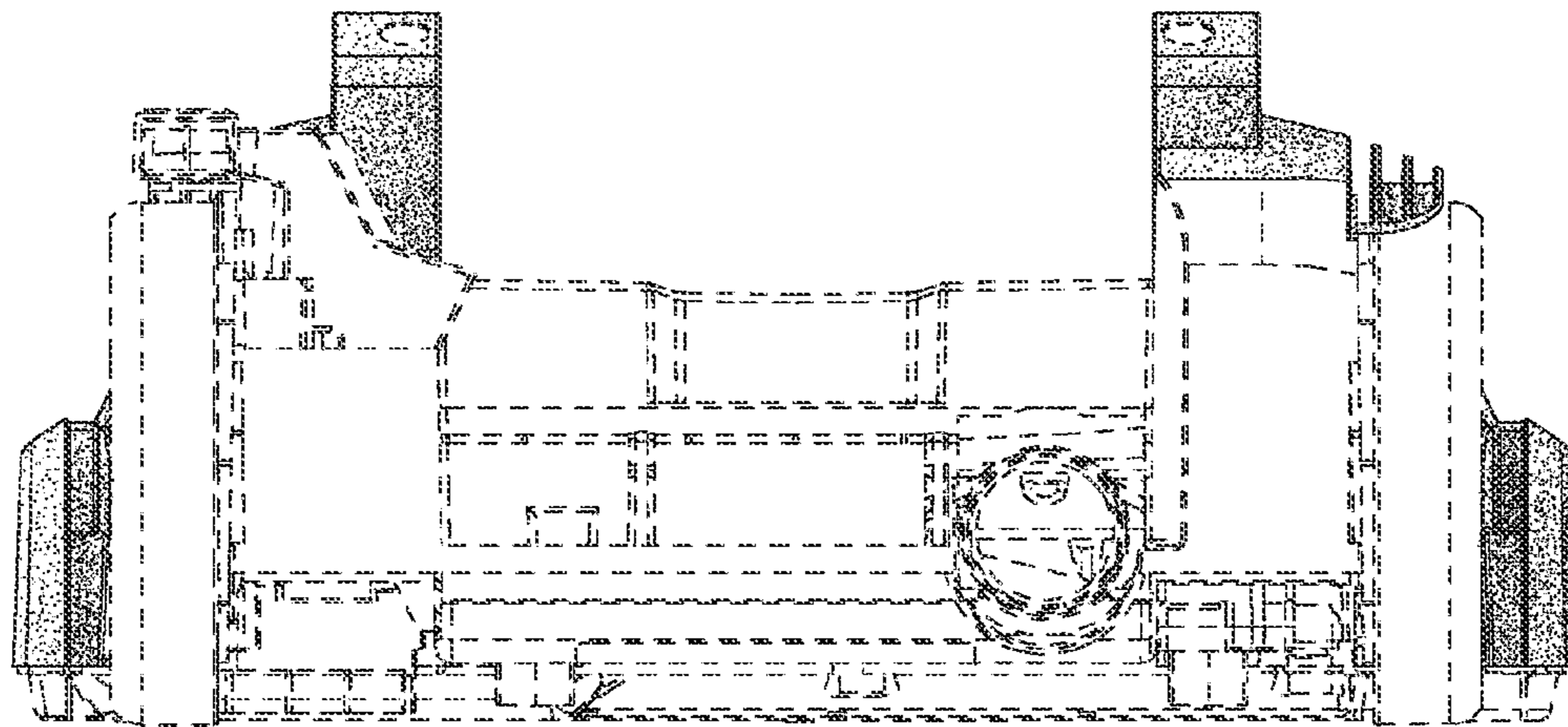


Fig. 3

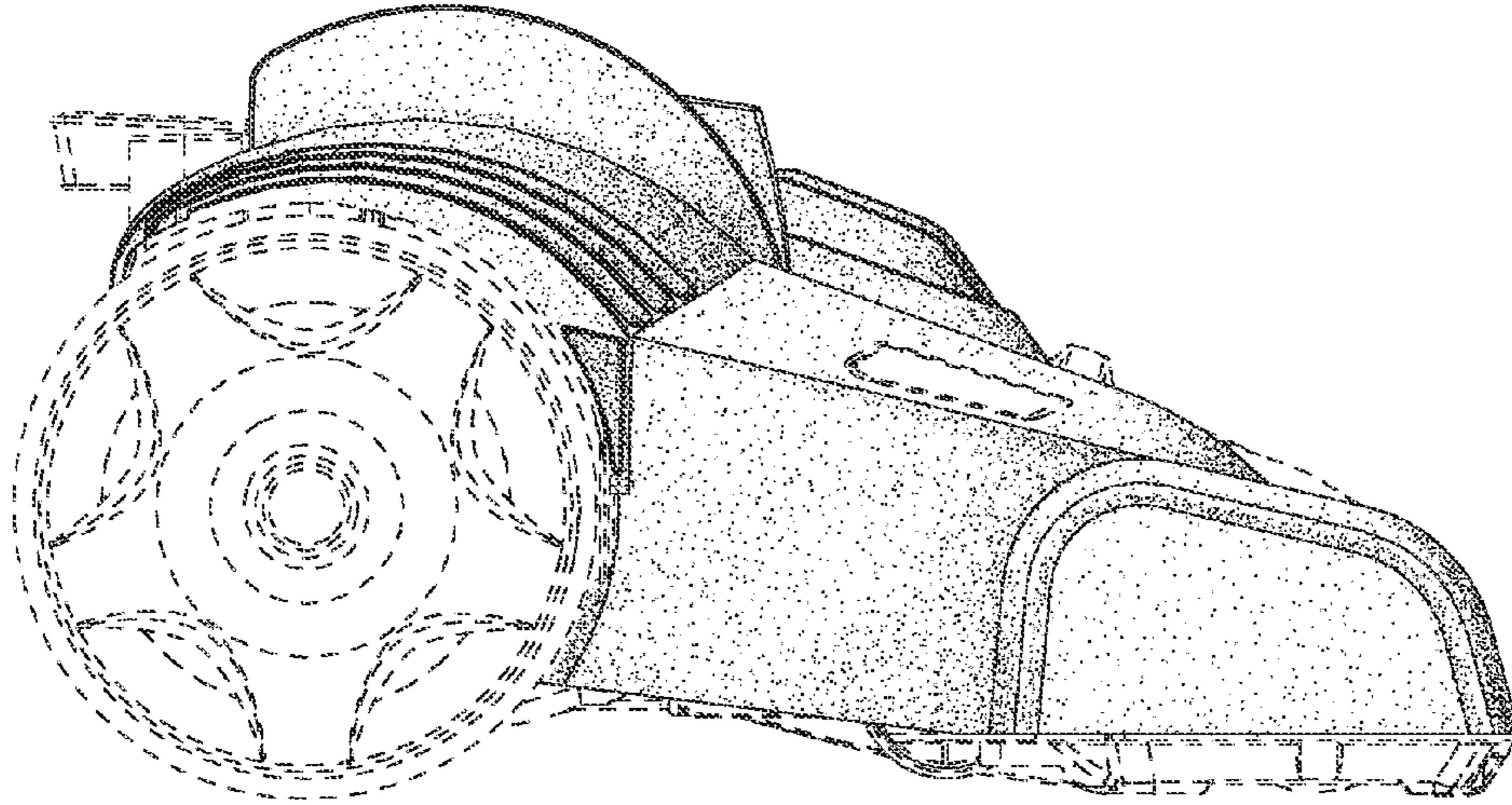


Fig. 4

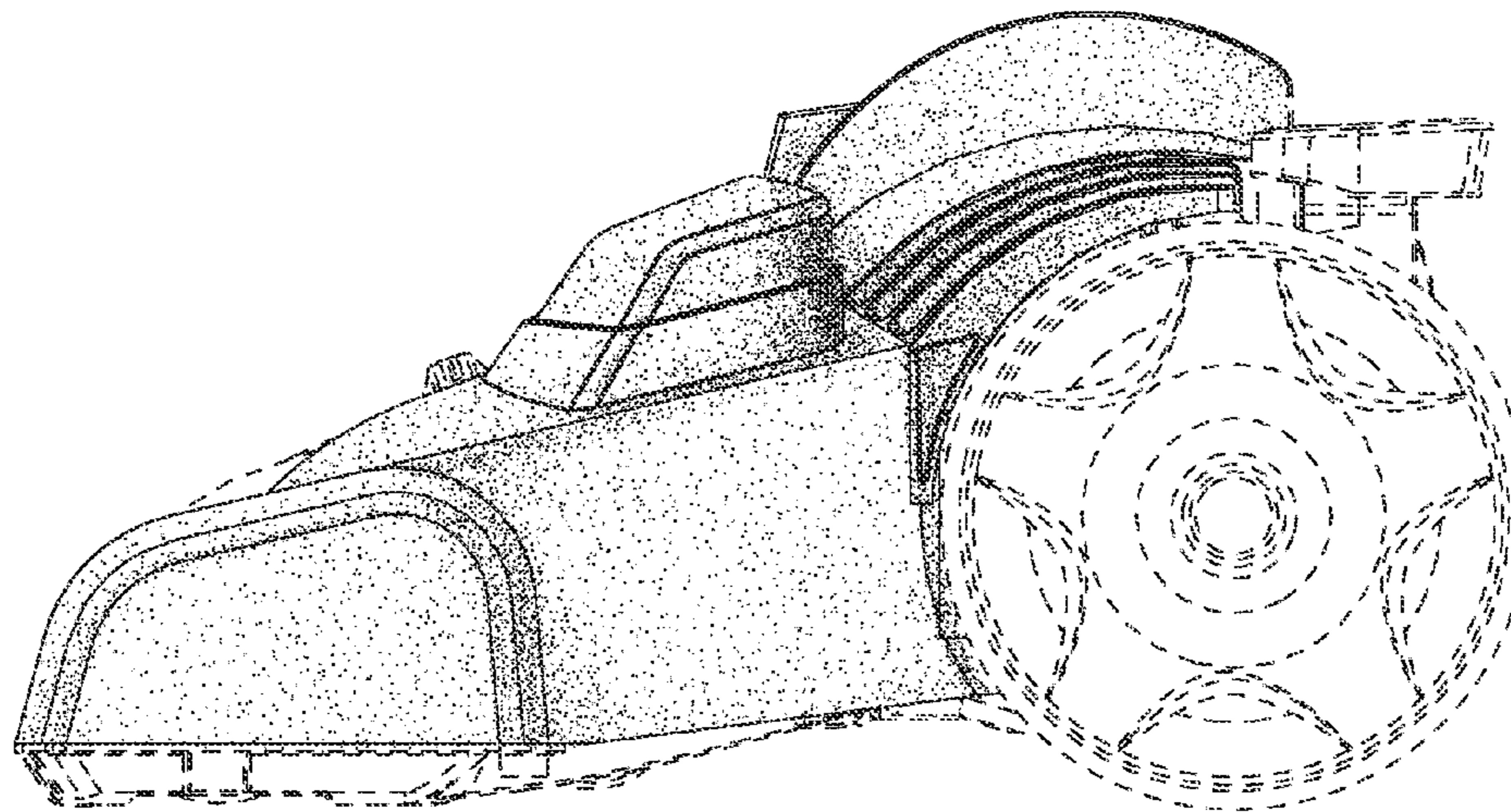


Fig. 5

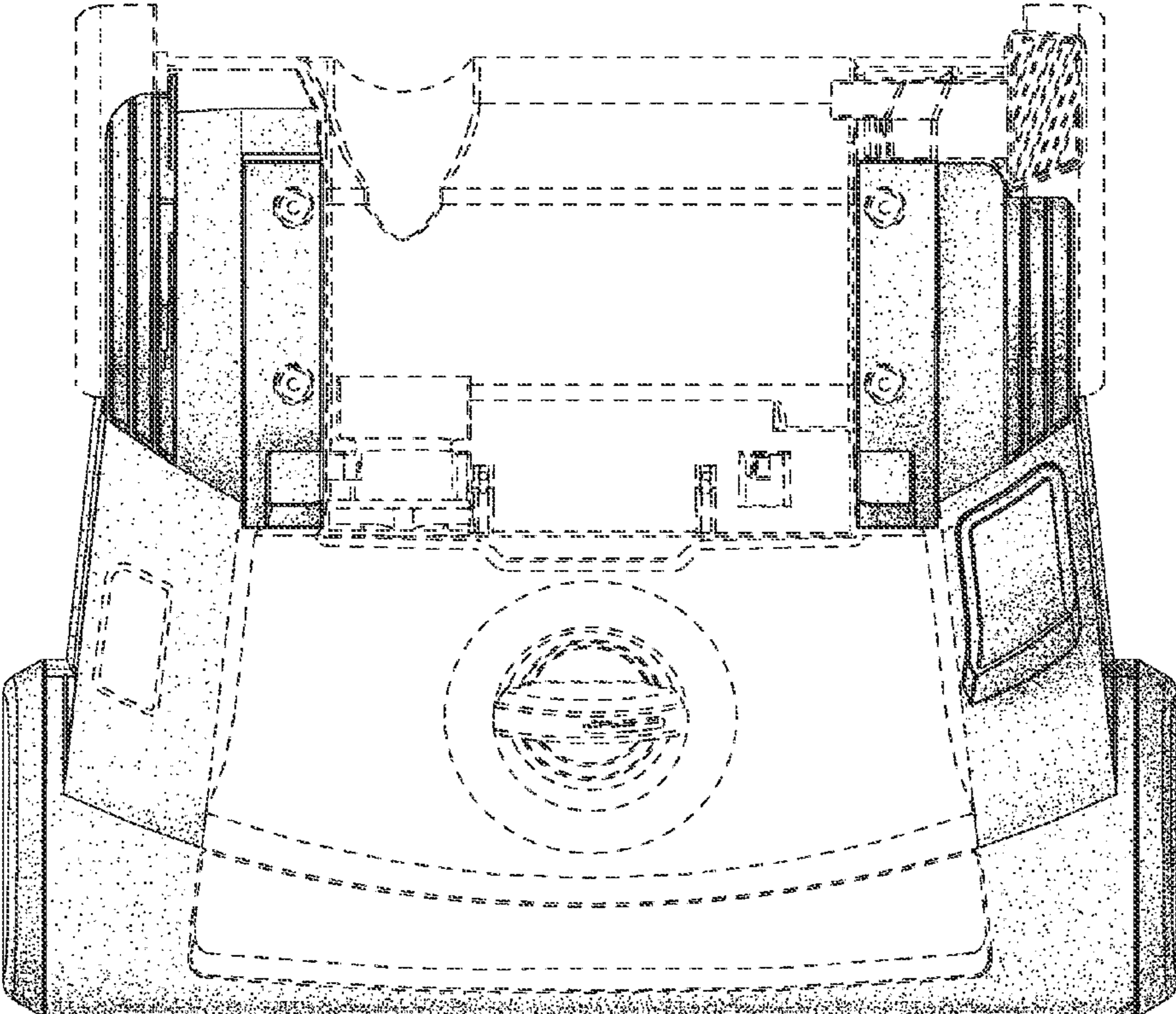


Fig. 6

UNITED STATES PATENT AND TRADEMARK OFFICE
CERTIFICATE OF CORRECTION

PATENT NO. : D688,014 S
APPLICATION NO. : 29/409822
DATED : August 13, 2013
INVENTOR(S) : Jose Carlito Santiago et al.

Page 1 of 1

It is certified that error appears in the above-identified patent and that said Letters Patent is hereby corrected as shown below:

On the Title Page, Item (73) Assignee: BISSELL Homecar, Inc., Grand Rapids, MI (US)
should read: (73) Assignee: BISSELL Homecare, Inc., Grand Rapids, MI (US)

Signed and Sealed this
Fifth Day of November, 2013



Teresa Stanek Rea
Deputy Director of the United States Patent and Trademark Office