

US00D688012S

(12) **United States Design Patent**  
**Canello et al.**

(10) **Patent No.:** **US D688,012 S**

(45) **Date of Patent:** **\*\* Aug. 13, 2013**

(54) **ANIMAL CHEW TOY**

(75) Inventors: **Sergio Canello**, Villa de Teolo (IT);  
**Sara Fernández Fernández**, Castel San  
Pietro Terme (IT); **Gianandrea**  
**Guidetti**, Reggio Emilia (IT); **Samuele**  
**Soldá**, Tavagnacco (IT)

(73) Assignee: **Sanypet S.p.A.**, Bagnoli di Sopra (PD)  
(IT)

(\*\*) Term: **14 Years**

(21) Appl. No.: **29/431,509**

(22) Filed: **Sep. 7, 2012**

(51) **LOC (9) Cl.** ..... **30-99**

(52) **U.S. Cl.**  
USPC ..... **D30/160**; D21/599

(58) **Field of Classification Search**  
USPC ..... D30/160; 119/702, 706-711; D21/599;  
D11/50, 82, 100, 127, 134, 158; D1/106,  
D1/199; D24/194-195

See application file for complete search history.

(56) **References Cited**

U.S. PATENT DOCUMENTS

D99,511 S \* 5/1936 Laurie ..... D11/213  
D107,668 S \* 12/1937 Wadsworth et al. .... D11/118  
D141,795 S \* 7/1945 Boll ..... D21/611  
D254,798 S \* 4/1980 Johnstone ..... D21/585

D269,862 S \* 7/1983 Meyer ..... D11/82  
D287,781 S \* 1/1987 Schmidt ..... D1/106  
5,088,518 A \* 2/1992 Stamatakis et al. .... 137/171  
D382,226 S \* 8/1997 Howard ..... D11/100  
6,601,539 B1 \* 8/2003 Snook ..... 119/710  
D479,482 S \* 9/2003 Seegers ..... D21/599  
6,623,328 B1 \* 9/2003 Theel ..... 119/707  
D503,440 S \* 3/2005 Weiser et al. .... D21/599  
D506,700 S \* 6/2005 Cowan ..... D11/125  
D518,602 S \* 4/2006 Wu ..... D11/82  
D531,383 S \* 11/2006 Dettmer et al. .... D1/199  
D602,213 S \* 10/2009 Wong ..... D30/160

\* cited by examiner

*Primary Examiner* — Cathy A MacCormac

(74) *Attorney, Agent, or Firm* — Browdy and Neimark,  
PLLC

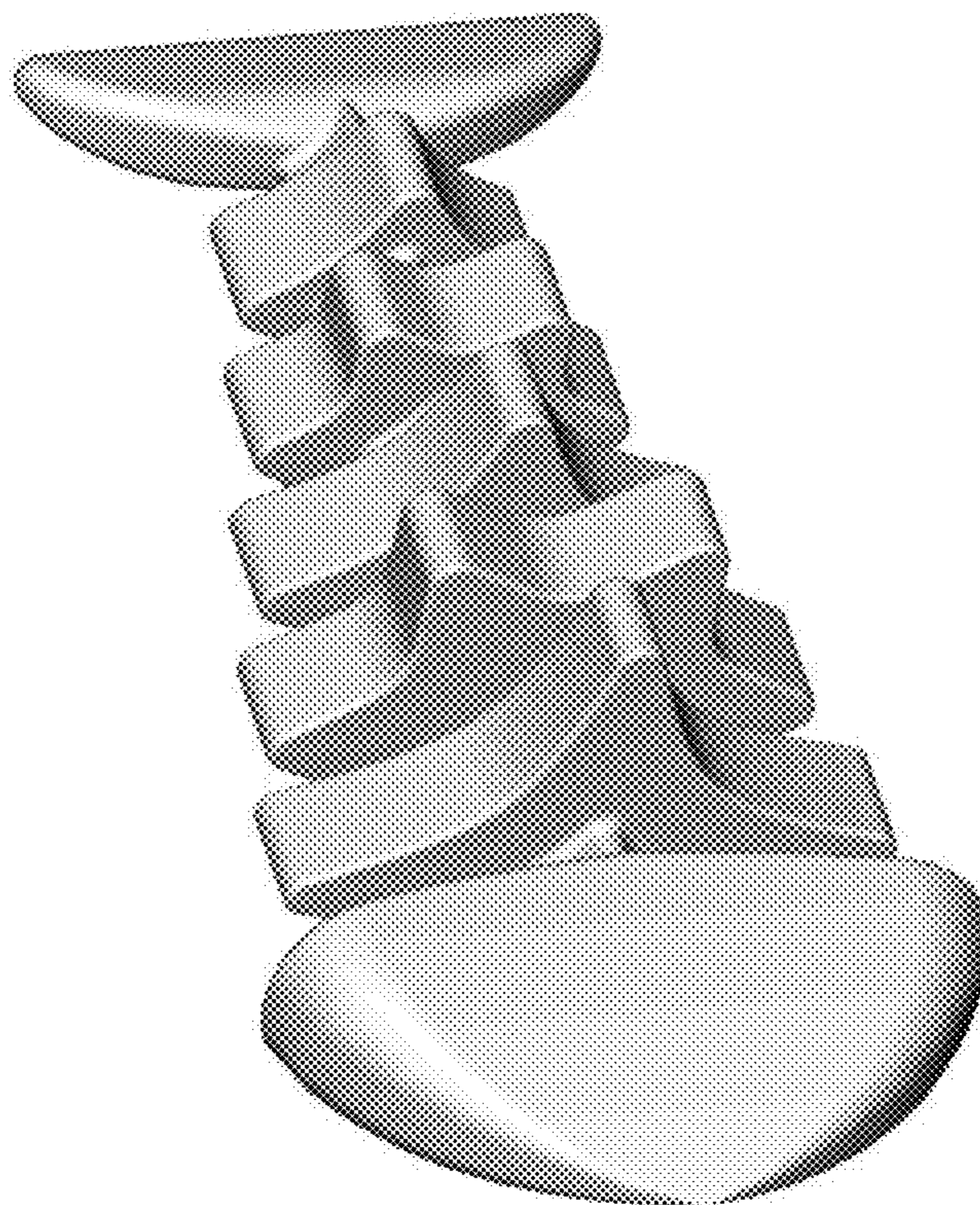
(57) **CLAIM**

The ornamental design for an animal chew toy, as shown and  
described.

**DESCRIPTION**

FIG. 1 is a perspective view of an animal chew toy showing  
our new design;  
FIG. 2 is a right side elevational view thereof;  
FIG. 3 is a top elevational view thereof;  
FIG. 4 is a front elevational view thereof; and,  
FIG. 5 is an enlarged rear elevational view thereof.

**1 Claim, 5 Drawing Sheets**



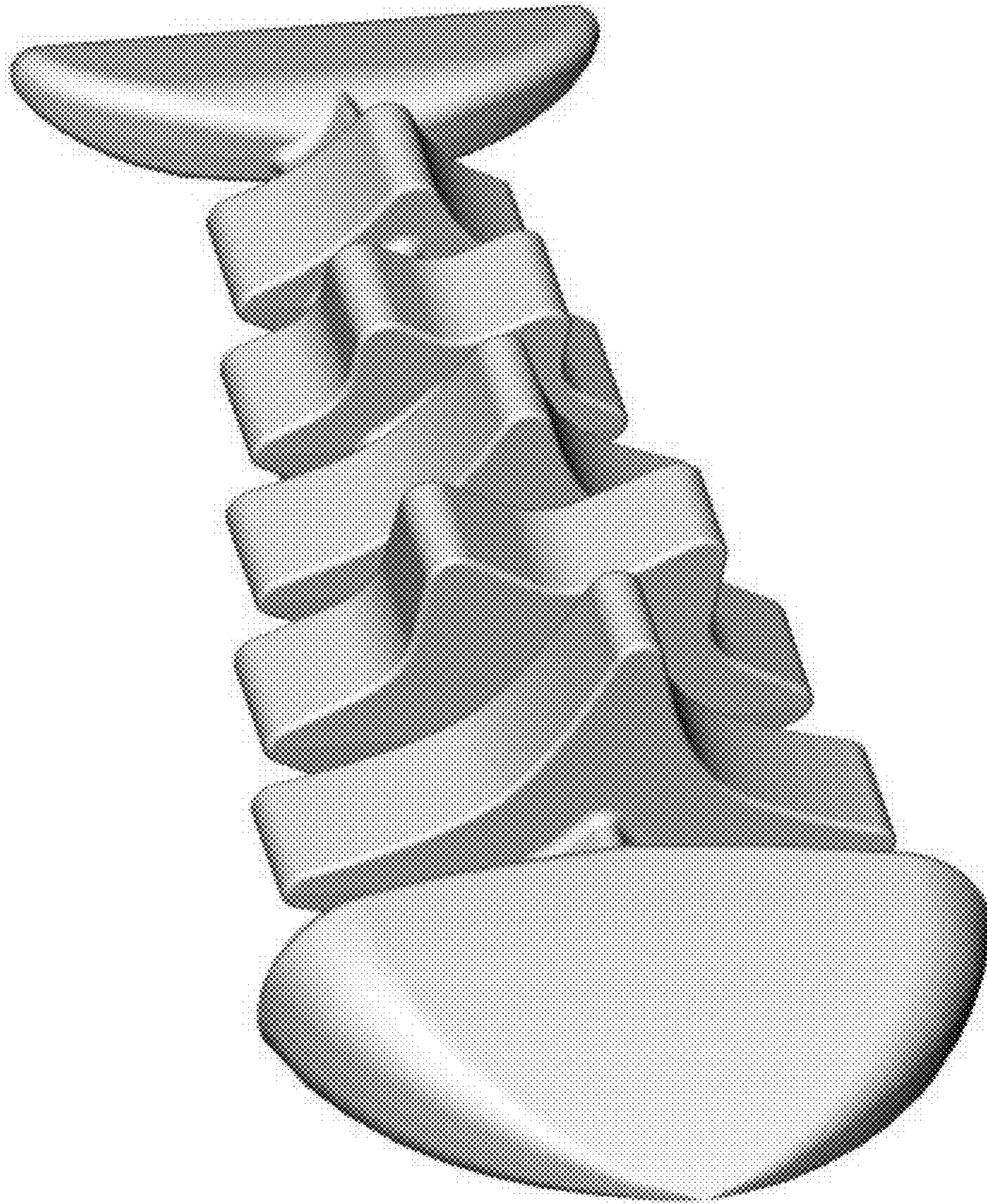


FIGURE 1

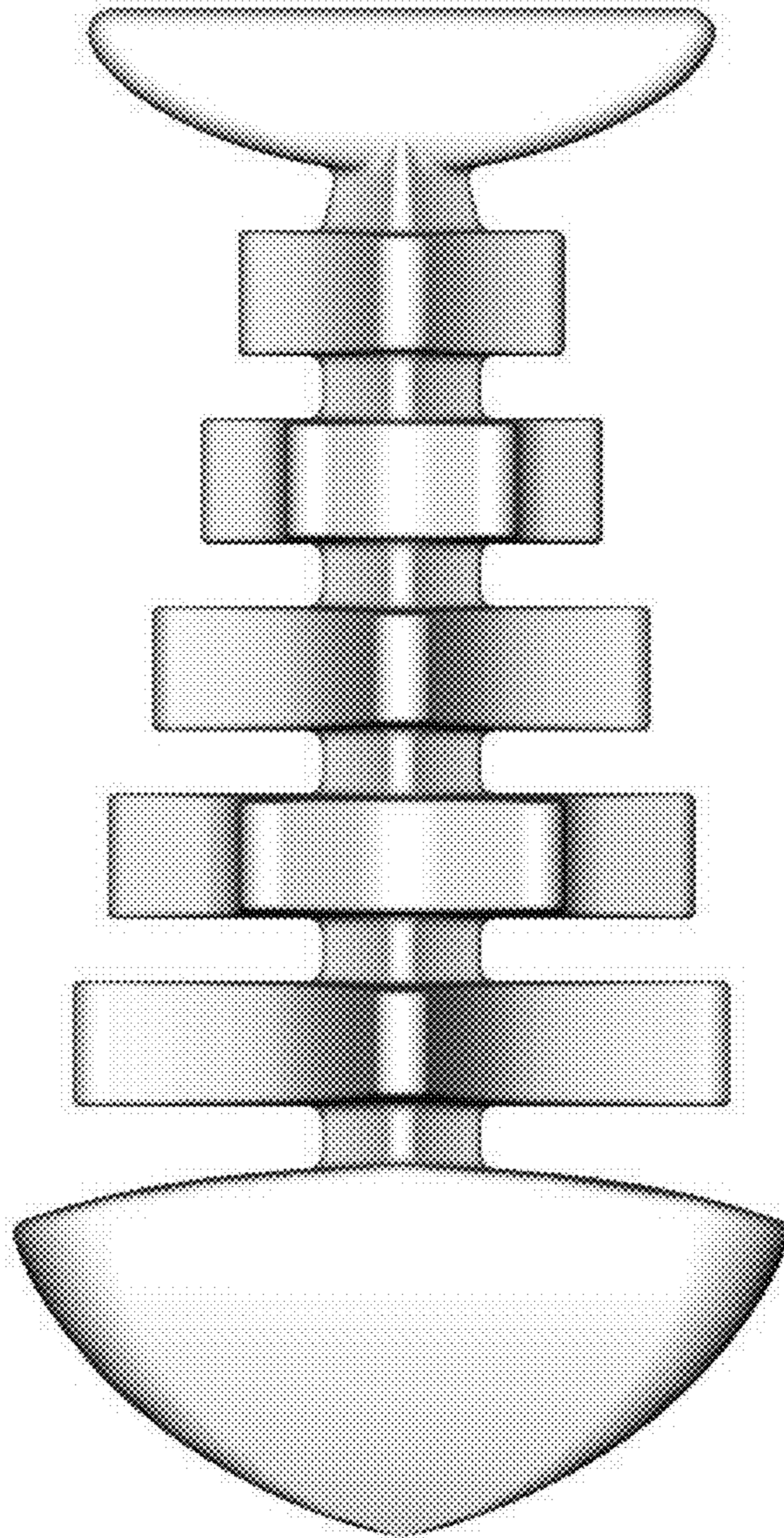


FIGURE 2

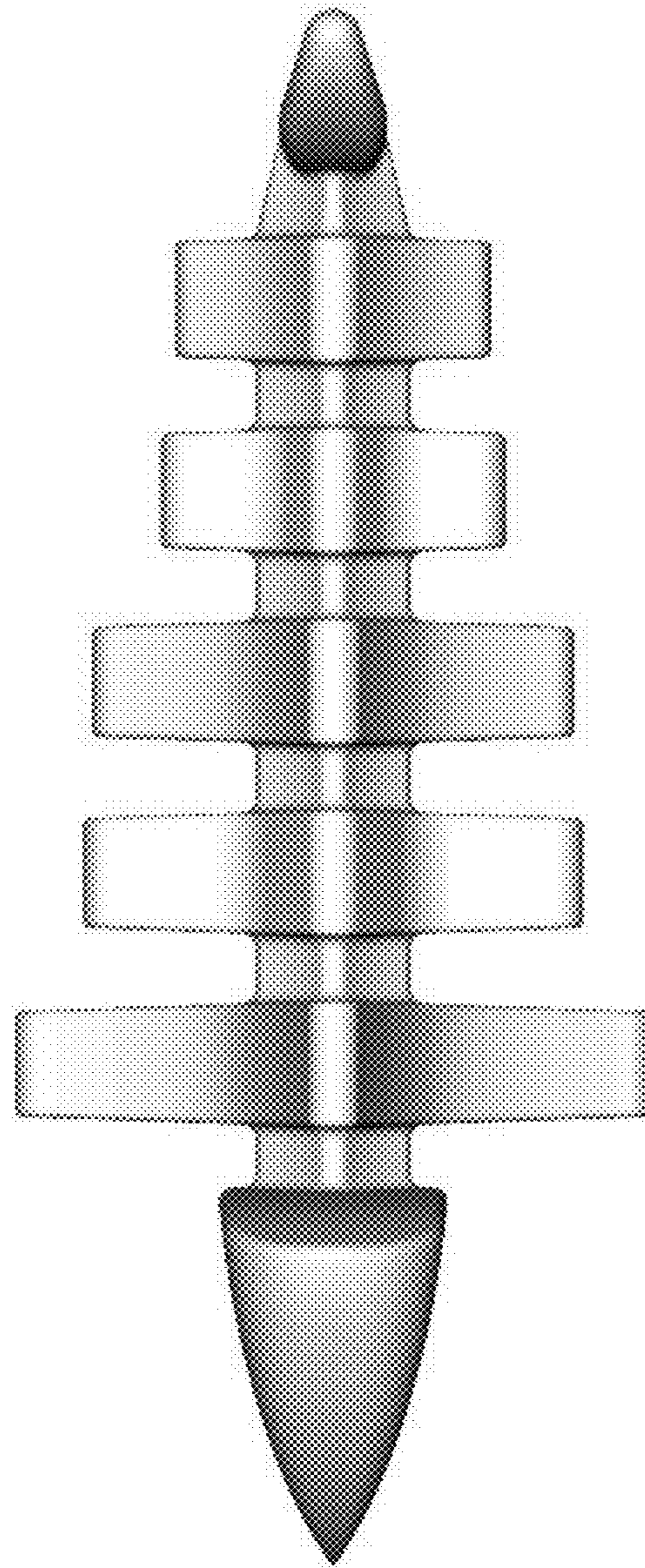


FIGURE 3

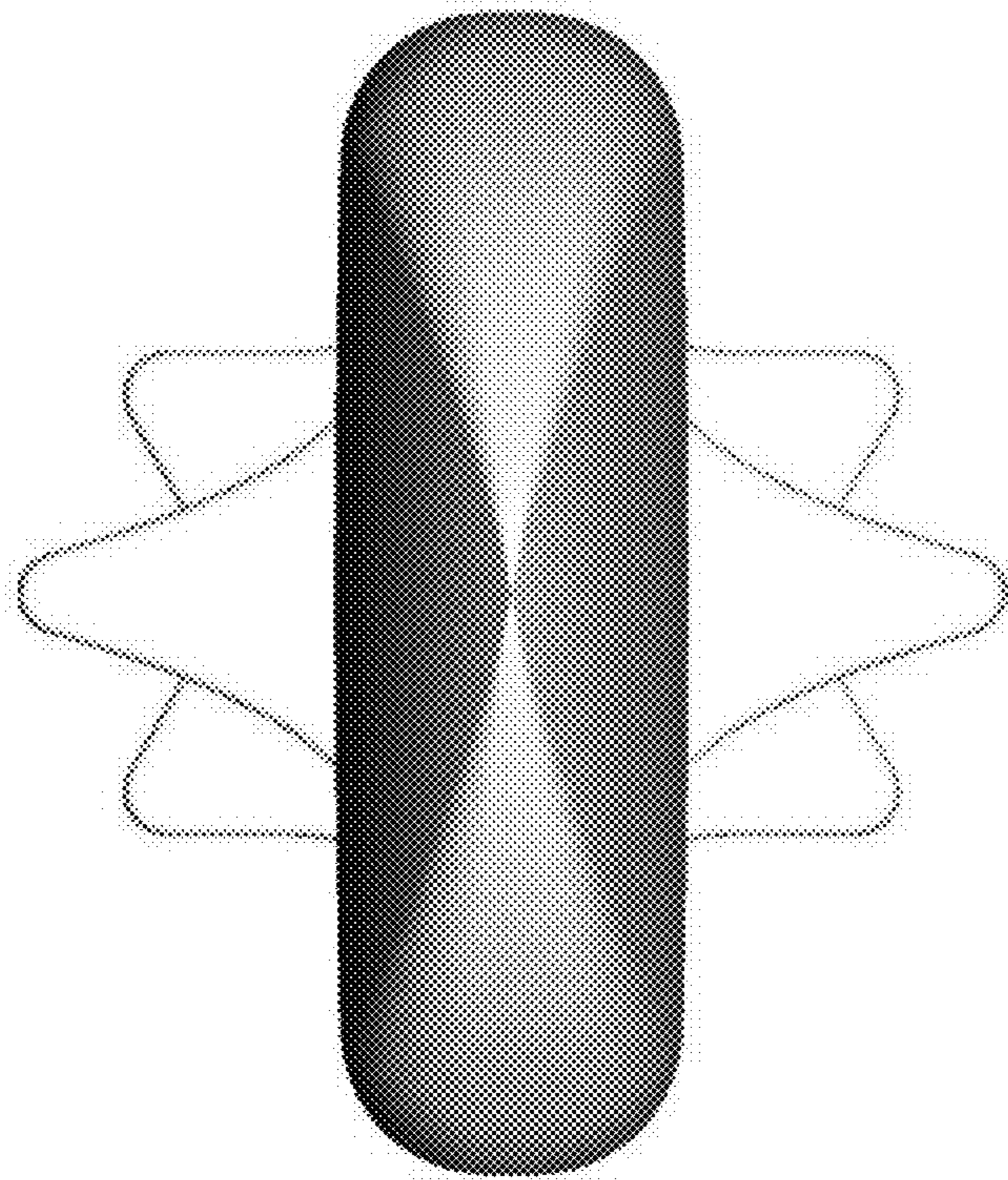


FIGURE 4

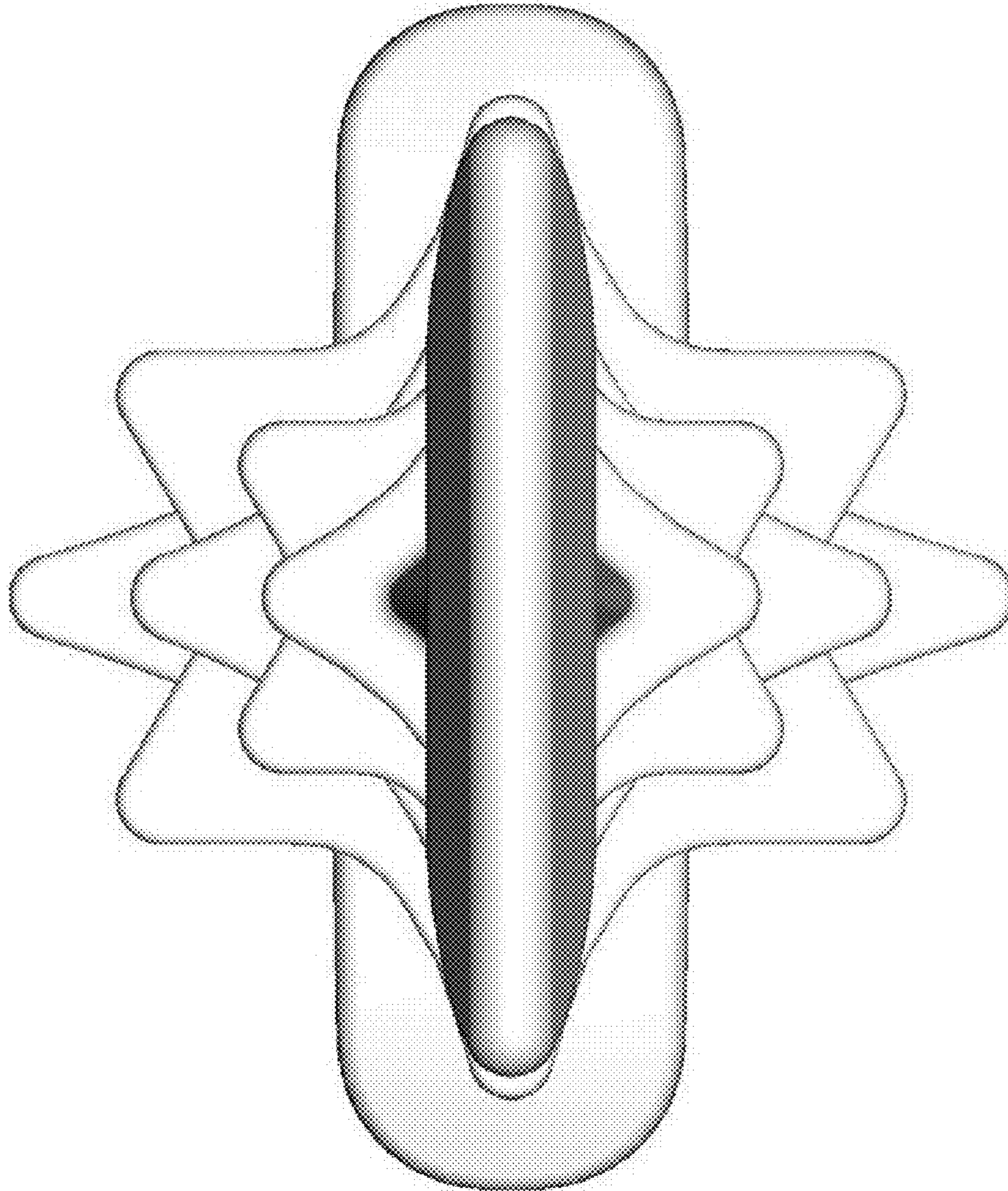


FIGURE 5

UNITED STATES PATENT AND TRADEMARK OFFICE  
**CERTIFICATE OF CORRECTION**

PATENT NO. : D688,012 S  
APPLICATION NO. : 29/431509  
DATED : August 13, 2013  
INVENTOR(S) : Sergio Canello et al.

Page 1 of 1

It is certified that error appears in the above-identified patent and that said Letters Patent is hereby corrected as shown below:

On the Title page, between item (22) and item (51), insert a new item (30) as follows:

--(30) Foreign Application Priority Data

May 11, 2012 (OHIM)..... 002040683-0001--.

Signed and Sealed this  
Fourteenth Day of October, 2014



Michelle K. Lee  
*Deputy Director of the United States Patent and Trademark Office*