



US00D688011S

(12) **United States Design Patent**
Gee

(10) **Patent No.:** **US D688,011 S**

(45) **Date of Patent:** **** Aug. 13, 2013**

(54) **ANIMAL HARNESS**

(76) **Inventor:** **Gigi Gee**, San Francisco, CA (US)

(**) **Term:** **14 Years**

(21) **Appl. No.:** **29/413,231**

(22) **Filed:** **Feb. 13, 2012**

(51) **LOC (9) Cl.** **30-04**

(52) **U.S. Cl.**
USPC **D30/152**

(58) **Field of Classification Search**
USPC D30/144, 145, 161, 169, 199, 152;
119/850, 863, 856-858, 174, 792, 907;
224/42.11, 241, 582, 505; 54/44.1; D3/231;
441/127, 115, 55, 80, 136, 88, 106, 108
See application file for complete search history.

(56) **References Cited**

U.S. PATENT DOCUMENTS

1,614,083	A *	1/1927	Plantico	119/793
D228,926	S *	10/1973	Bennett	D30/145
4,512,286	A *	4/1985	Rux	119/771
4,537,154	A *	8/1985	Kay	119/857
4,577,591	A *	3/1986	Wesseldine	604/391
4,715,618	A *	12/1987	Harris	119/771
4,813,949	A *	3/1989	O'Rourke	604/391
4,917,683	A *	4/1990	Thompson	604/387
D312,151	S *	11/1990	Dickey	D30/145
4,996,949	A *	3/1991	Wunderman et al.	604/390
D329,927	S *	9/1992	Thomas	D30/145
D334,252	S *	3/1993	Stubbs	D30/144
5,226,386	A *	7/1993	Thoma	119/869
5,304,158	A *	4/1994	Webb	604/385.13
5,443,037	A *	8/1995	Saleme	119/771
D366,315	S *	1/1996	Oranday	D24/126
5,503,113	A *	4/1996	Knight	119/856
D379,686	S *	6/1997	Caditz	D30/145
5,769,030	A *	6/1998	Acoff	119/712

5,787,843	A *	8/1998	Chao	119/869
5,794,571	A *	8/1998	Goldberg	119/792
5,913,285	A *	6/1999	Pritchard	119/771
5,915,335	A *	6/1999	Holt, Jr.	119/771
5,954,015	A *	9/1999	Ohta	119/850
6,101,979	A *	8/2000	Wilson et al.	119/725
6,142,105	A *	11/2000	McKnight	119/850
D453,594	S *	2/2002	Ishihara	D30/152
6,368,313	B1 *	4/2002	Howard	604/385.09
6,443,101	B1 *	9/2002	Fazio	119/792
6,557,497	B1 *	5/2003	Milligan	119/850
6,827,044	B2 *	12/2004	Lobanoff et al.	119/771
6,895,901	B1 *	5/2005	Howard	119/869
D507,084	S *	7/2005	Sabeh-Azar	D30/199
6,935,278	B2 *	8/2005	Brewington	119/869
D511,596	S *	11/2005	Mugford	D30/152
7,004,922	B1 *	2/2006	Shesol	602/79
7,174,860	B2 *	2/2007	Solomon	119/869
D555,297	S *	11/2007	Coleman	D30/145

(Continued)

Primary Examiner — Susan Moon Lee

(74) *Attorney, Agent, or Firm* — John H Lynn; Lynn & Lynn

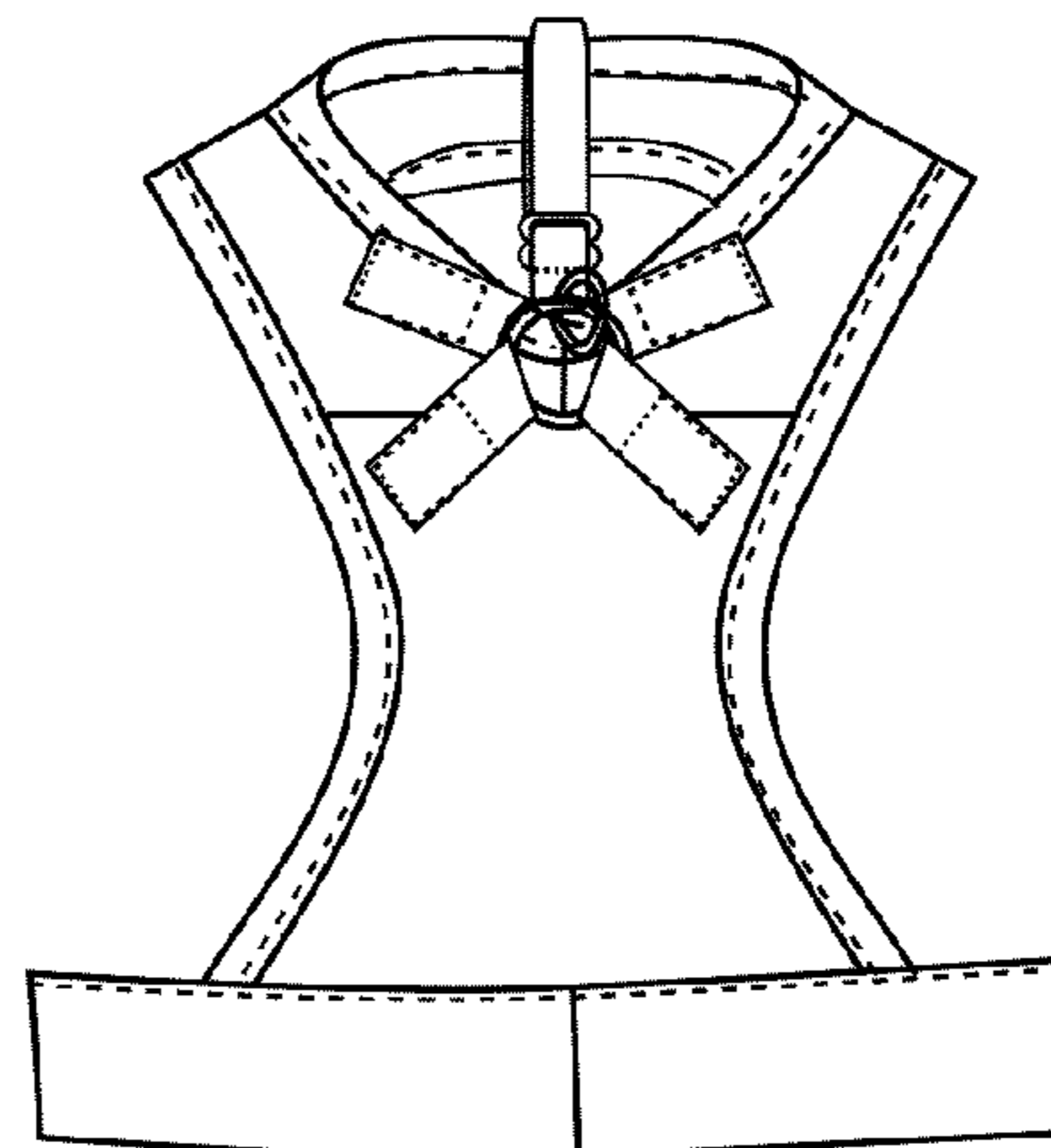
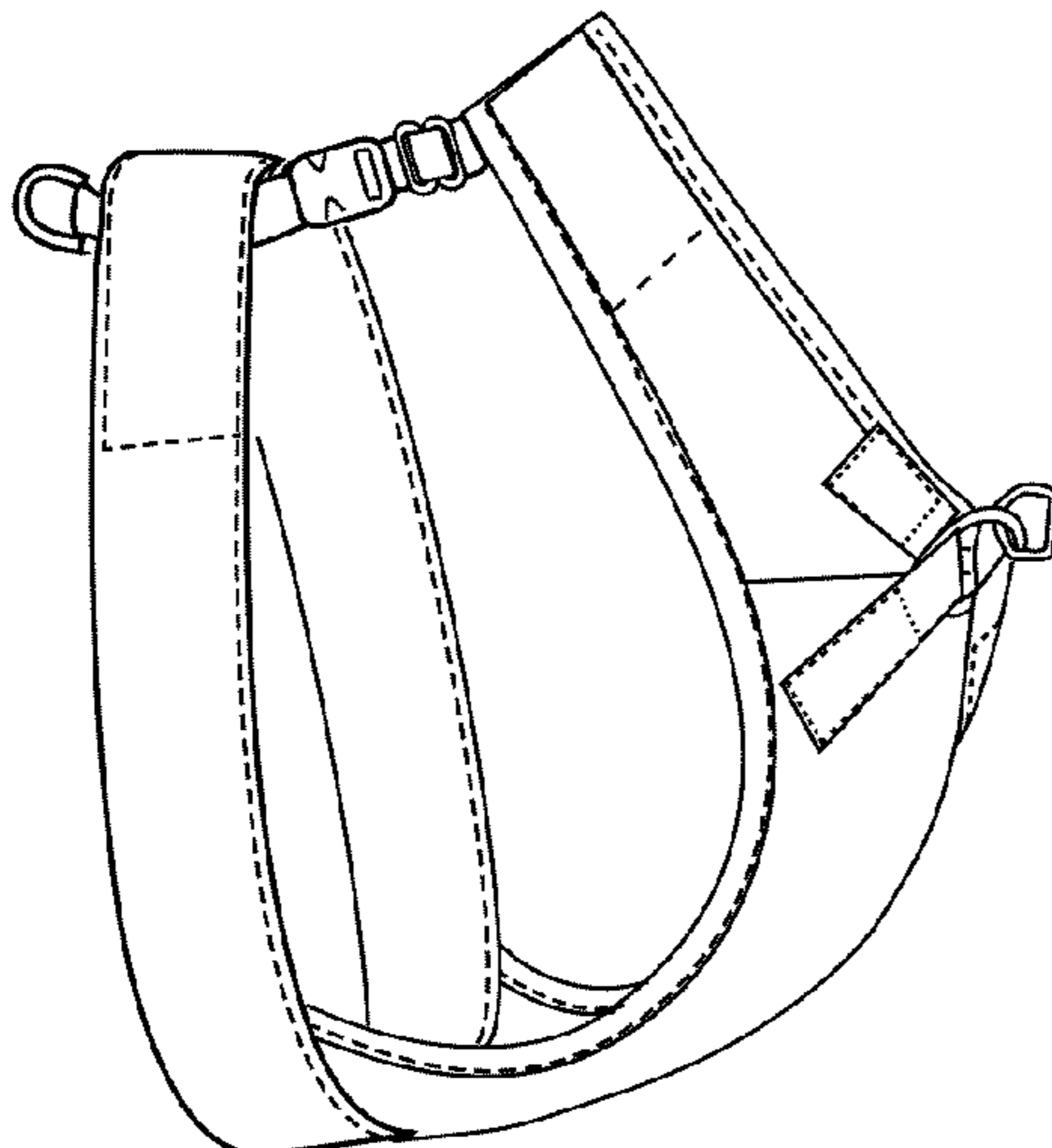
(57) **CLAIM**

I claim the ornamental design for an animal harness, as shown and described.

DESCRIPTION

FIG. 1 is a right side perspective view of an animal harness showing my new design, with straps arranged in an in use position;
FIG. 2 is a top plan view thereof with straps disconnected;
FIG. 3 is a bottom plan view thereof with straps arranged as if it were on an animal;
FIG. 4 is a bottom plan view thereof with straps disconnected; and,
FIG. 5 is a top plan view thereof with straps disconnected.
The broken lines represent claimed stitching.

1 Claim, 2 Drawing Sheets



(56)

References Cited

U.S. PATENT DOCUMENTS

7,343,881 B2 * 3/2008 Schantz et al. 119/792
 D569,050 S * 5/2008 Spater et al. D30/152
 7,370,608 B1 * 5/2008 Friedman 119/850
 7,449,017 B2 * 11/2008 Yoshida 604/389
 D584,862 S * 1/2009 Kemper D30/145
 7,635,360 B2 * 12/2009 Van Gompel et al. ... 604/385.19
 7,753,008 B2 * 7/2010 Krenkel 119/869
 7,757,641 B1 * 7/2010 Worden 119/856
 D621,561 S * 8/2010 Siklosi et al. D30/152
 7,861,677 B2 * 1/2011 Habig 119/868
 D633,257 S * 2/2011 Trias D30/145
 D638,175 S * 5/2011 Pellegrini D30/145
 D638,176 S * 5/2011 Mugford D30/152
 8,020,523 B2 * 9/2011 Ikegami et al. 119/869
 D652,580 S * 1/2012 Leonard D30/145
 D652,581 S * 1/2012 Evans D30/152
 8,166,924 B2 * 5/2012 Cho 119/792
 D664,310 S * 7/2012 Ito D30/152
 D664,720 S * 7/2012 Leonard D30/145
 8,211,077 B2 * 7/2012 Sugiyama et al. 604/385.29
 8,261,699 B2 * 9/2012 Cho 119/856
 8,302,565 B2 * 11/2012 Williams 119/868
 D673,738 S * 1/2013 Lanzendorf D30/145
 D677,841 S * 3/2013 Gibbs D30/152
 D681,287 S * 4/2013 Collignon D30/152
 8,439,000 B1 * 5/2013 Mehtupciu-Ionescu 119/868
 2002/0053324 A1 * 5/2002 Kato 119/856

2003/0055389 A1 * 3/2003 Sanders et al. 604/358
 2003/0135192 A1 * 7/2003 Guralski et al. 604/391
 2003/0150400 A1 * 8/2003 Lobanoff et al. 119/771
 2004/0074450 A1 * 4/2004 Soares et al. 119/850
 2004/0087929 A1 * 5/2004 Mleziva et al. 604/391
 2004/0224136 A1 * 11/2004 Collier et al. 428/196
 2005/0154367 A1 * 7/2005 Ikegami 604/389
 2005/0182375 A1 * 8/2005 Kropf et al. 604/385.01
 2006/0054109 A1 * 3/2006 Smith 119/856
 2006/0196447 A1 * 9/2006 Poh-Beyerlein et al. 119/869
 2006/0288958 A1 * 12/2006 Schantz et al. 119/792
 2006/0288959 A1 * 12/2006 Schantz et al. 119/792
 2007/0012263 A1 * 1/2007 Hammonds 119/850
 2007/0034164 A1 * 2/2007 Sporn 119/856
 2007/0163520 A1 * 7/2007 Krenkel 119/869
 2007/0204808 A1 * 9/2007 Harada 119/850
 2008/0121192 A1 * 5/2008 Moy 119/850
 2008/0134991 A1 * 6/2008 DePass 119/856
 2008/0223311 A1 * 9/2008 Ito 119/792
 2008/0314336 A1 * 12/2008 Church et al. 119/771
 2009/0007855 A1 * 1/2009 Alexander et al. 119/792
 2010/0031898 A1 * 2/2010 Page 119/850
 2010/0263602 A1 * 10/2010 Cho 119/792
 2010/0319633 A1 * 12/2010 Moncheski 119/869
 2011/0067648 A1 * 3/2011 Siklosi et al. 119/792
 2011/0226193 A1 * 9/2011 Williams 119/850
 2011/0271913 A1 * 11/2011 Min 119/856
 2011/0290199 A1 * 12/2011 Ramirez 119/792
 2012/0160184 A1 * 6/2012 Lichvar 119/725

* cited by examiner

FIG. 1

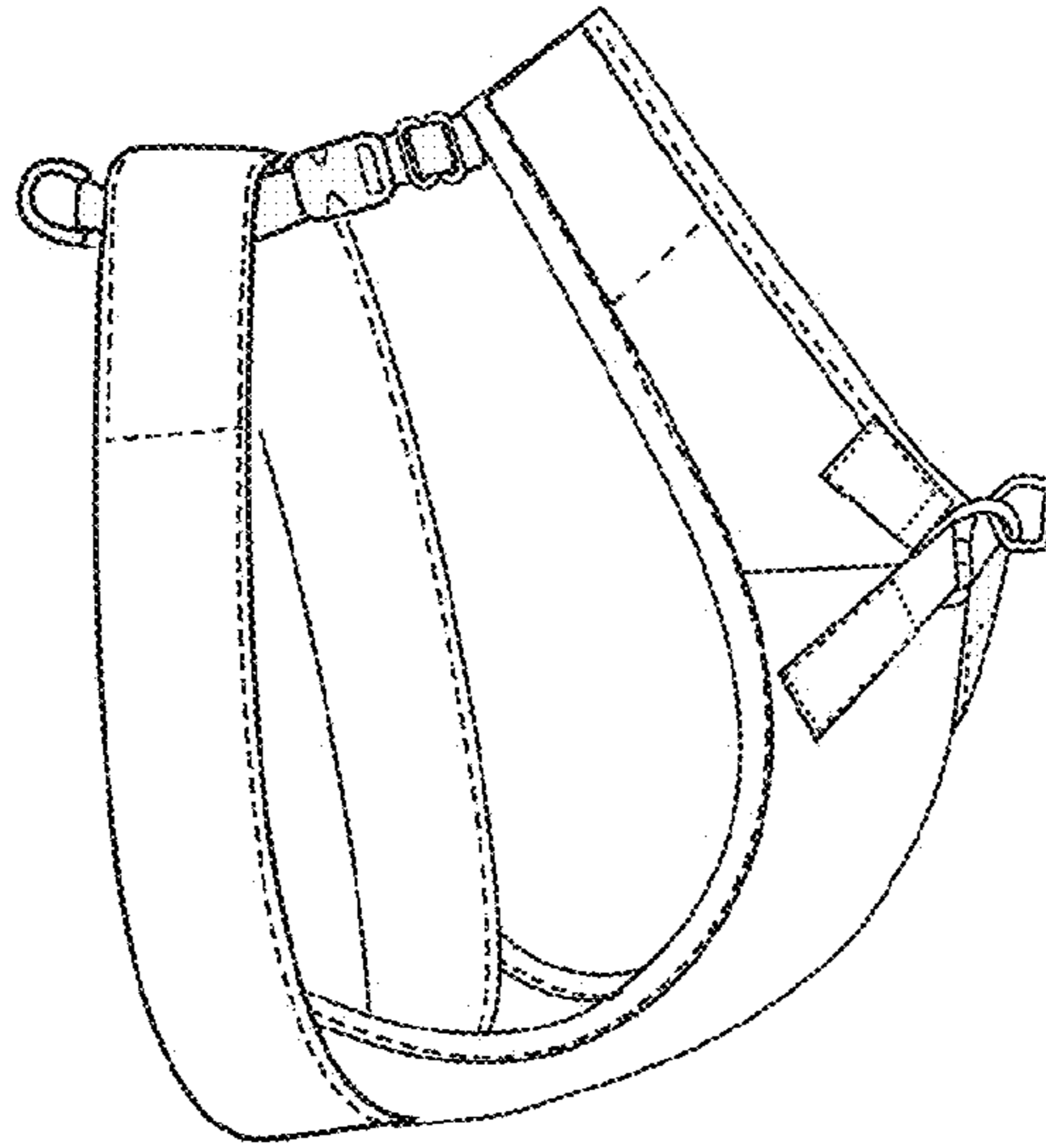


FIG. 2

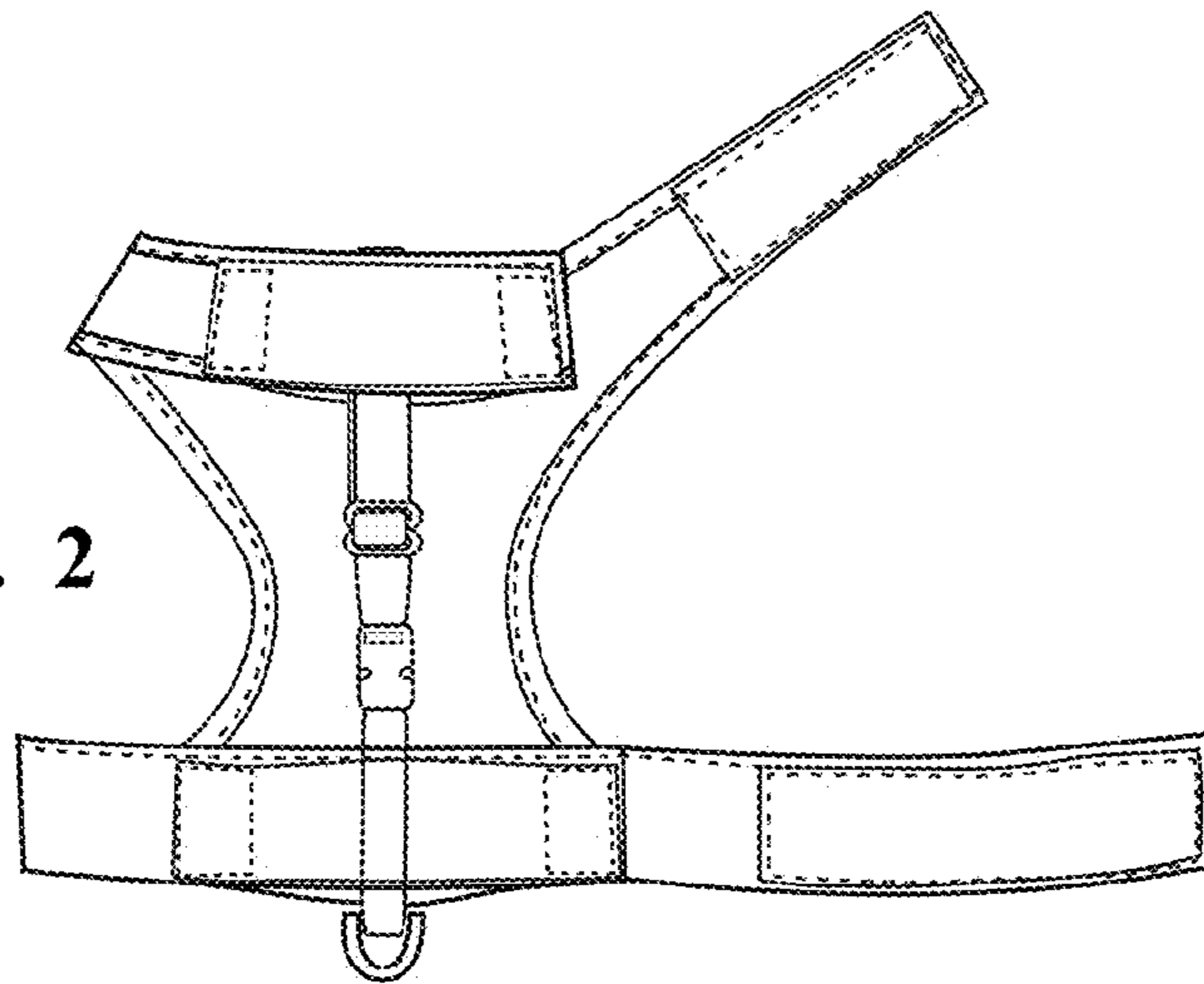
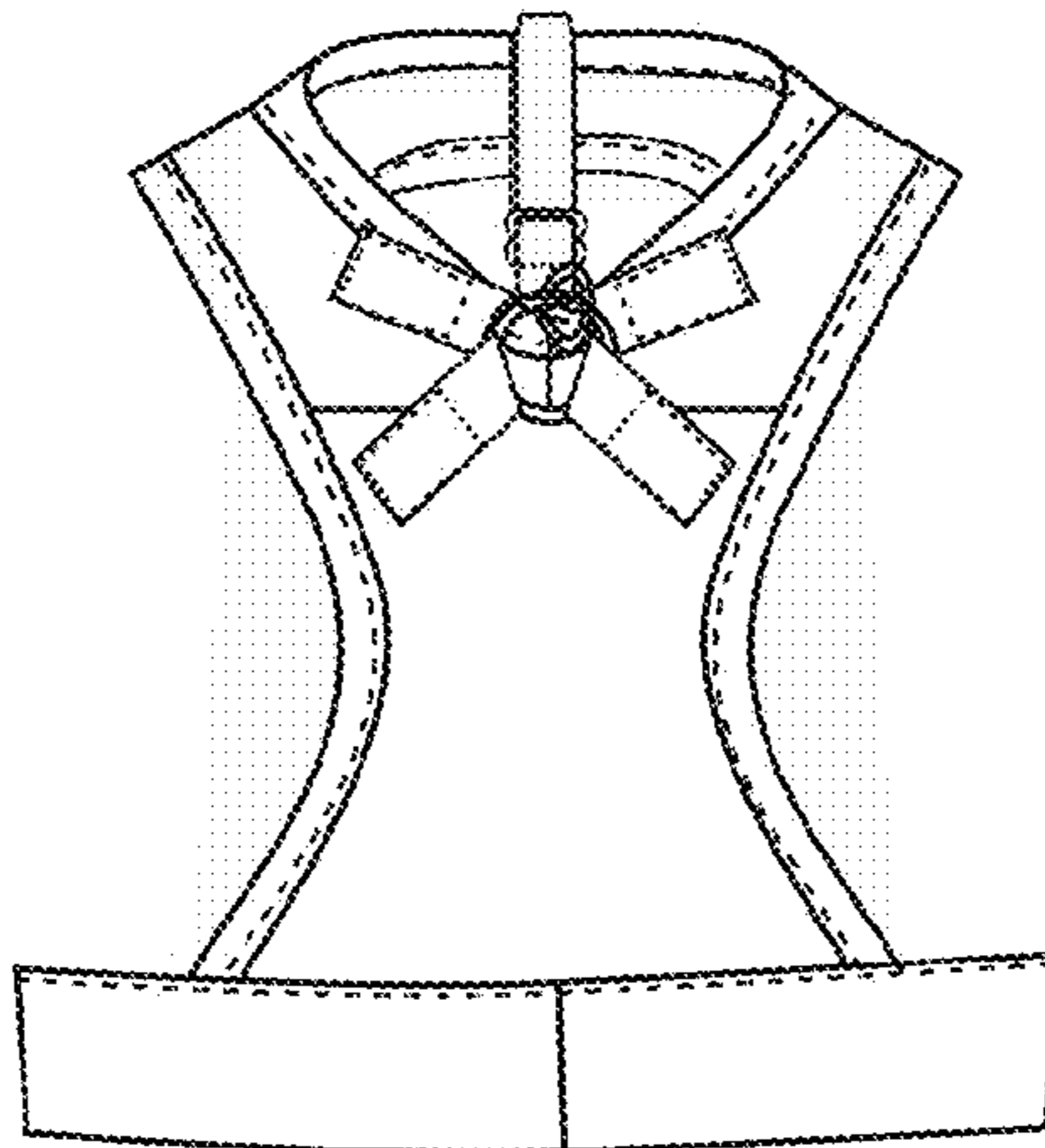


FIG. 3



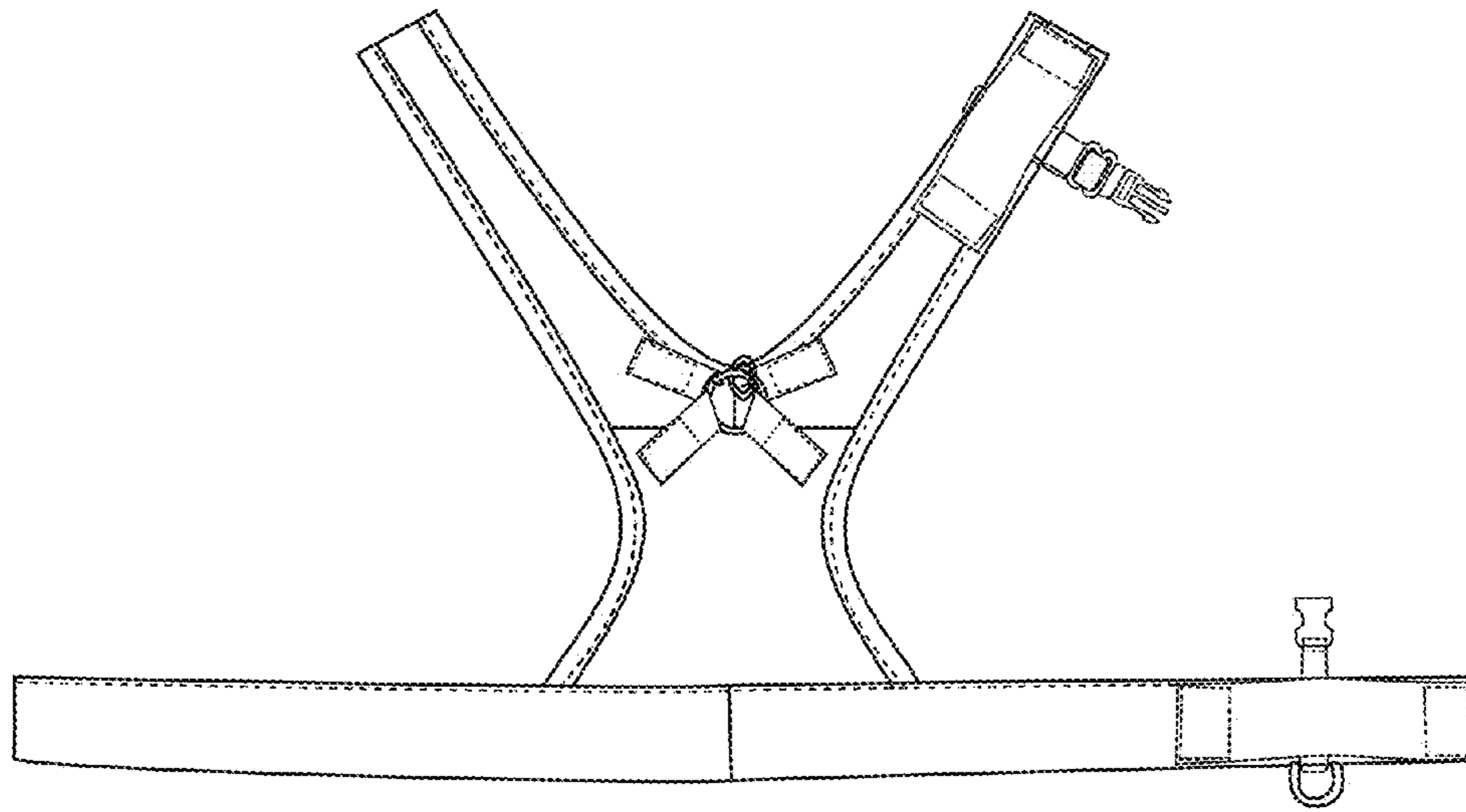


FIG. 4

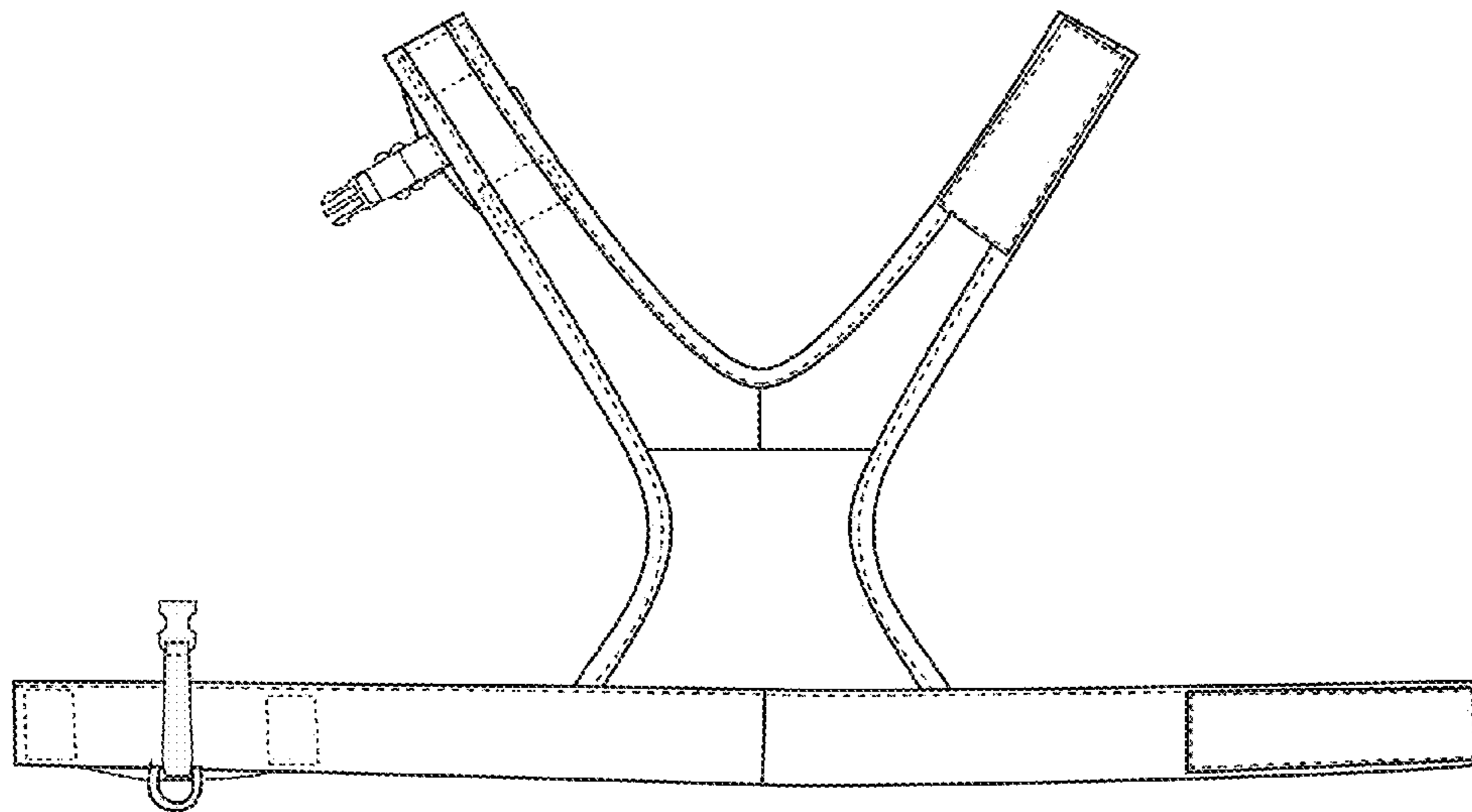


FIG. 5