



US00D688009S

(12) **United States Design Patent**
Mahoney, Jr.

(10) **Patent No.:** **US D688,009 S**
(45) **Date of Patent:** **** Aug. 13, 2013**

(54) **BACKSCRATCHER**
(76) Inventor: **James G. Mahoney, Jr.**, Poughkeepsie,
NY (US)
(**) Term: **14 Years**
(21) Appl. No.: **29/407,656**
(22) Filed: **Nov. 30, 2011**
(51) **LOC (9) Cl.** **28-99**
(52) **U.S. Cl.**
USPC **D28/91.2; D8/13**
(58) **Field of Classification Search**
USPC D28/91.2, 7, 99; D8/13; D7/653; 601/136,
601/137, 138
See application file for complete search history.

D369,439 S 4/1996 Fischer
D392,070 S 3/1998 Pitaro et al.
D443,114 S 5/2001 Burrell et al.
D479,446 S * 9/2003 Miller D8/13
6,830,552 B1 12/2004 Gonzalez
7,310,850 B2 * 12/2007 Ge 15/210.1
D581,754 S * 12/2008 Vodrey D8/13
D610,311 S 2/2010 Campbell
2006/0142679 A1 * 6/2006 Tan 601/137
2006/0253054 A1 * 11/2006 Wright 601/137

* cited by examiner

Primary Examiner — Jennifer Rivard
(74) *Attorney, Agent, or Firm* — QuickPatents; Kevin Prince

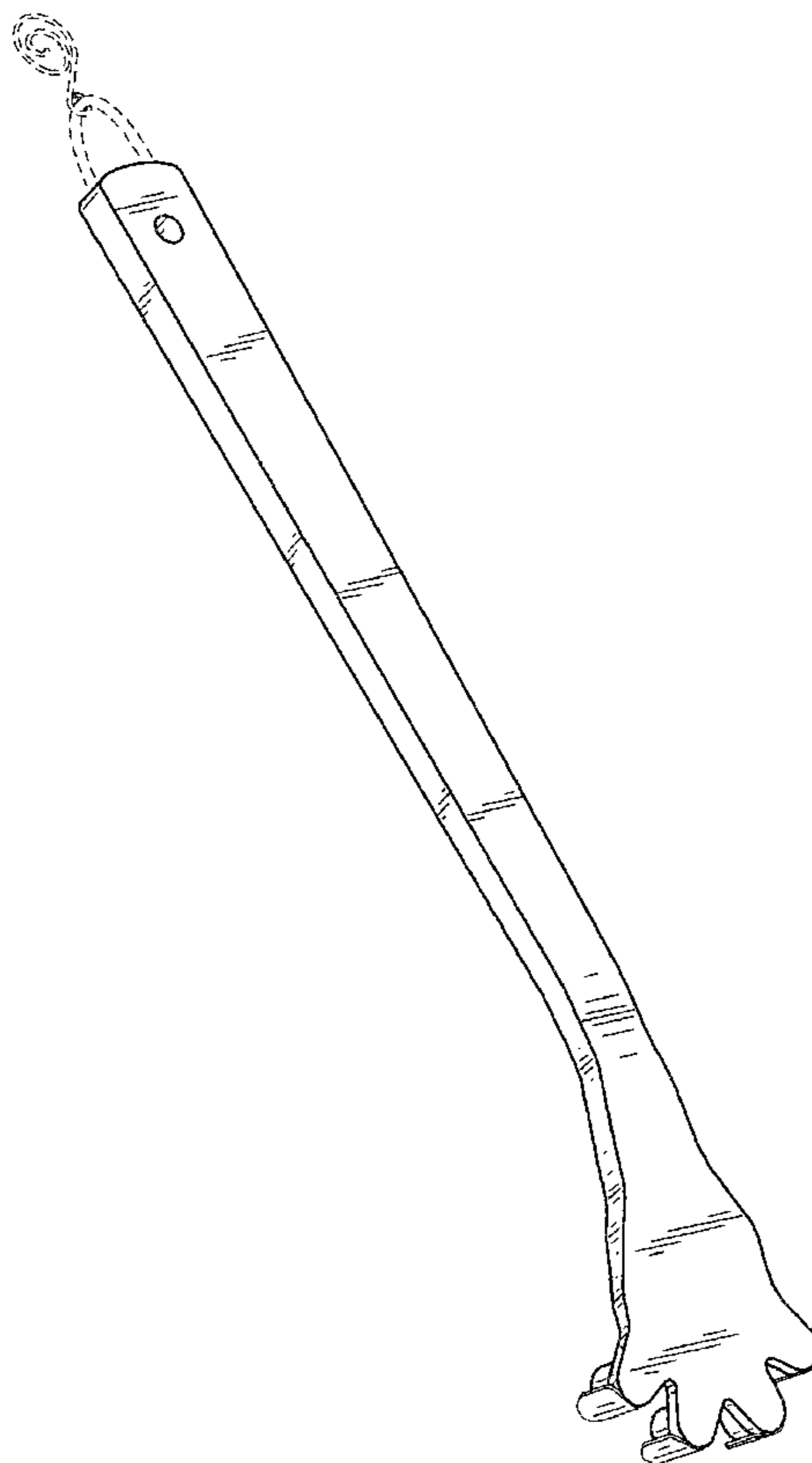
(57) **CLAIM**
I claim the ornamental design for a backscratcher, as shown
and described.

DESCRIPTION

FIG. 1 is a perspective view of a backscratcher, showing my
new design;
FIG. 2 is a front elevational view thereof;
FIG. 3 is a rear elevational view thereof;
FIG. 4 is a top plan view thereof;
FIG. 5 is a bottom plan view thereof; and,
FIG. 6 is a left-side elevational view thereof, the right-side
elevational view being a mirror image thereof.
The broken lines showing a hook and cord in FIG. 1 depict
environmental matter and form no part of the claimed design.

1 Claim, 3 Drawing Sheets

(56) **References Cited**
U.S. PATENT DOCUMENTS
687,363 A * 11/1901 Wirt 601/154
D180,412 S * 6/1957 Noguchi D7/653
D208,894 S 10/1967 Wedermeyer
D221,712 S 8/1971 Althoff
D265,255 S 6/1982 O'Neil
D272,456 S * 1/1984 Clanton D21/532
4,574,788 A * 3/1986 Jordan 601/137
D300,959 S 5/1989 Gray
D306,082 S 2/1990 Kidd
D329,720 S 9/1992 Feliks



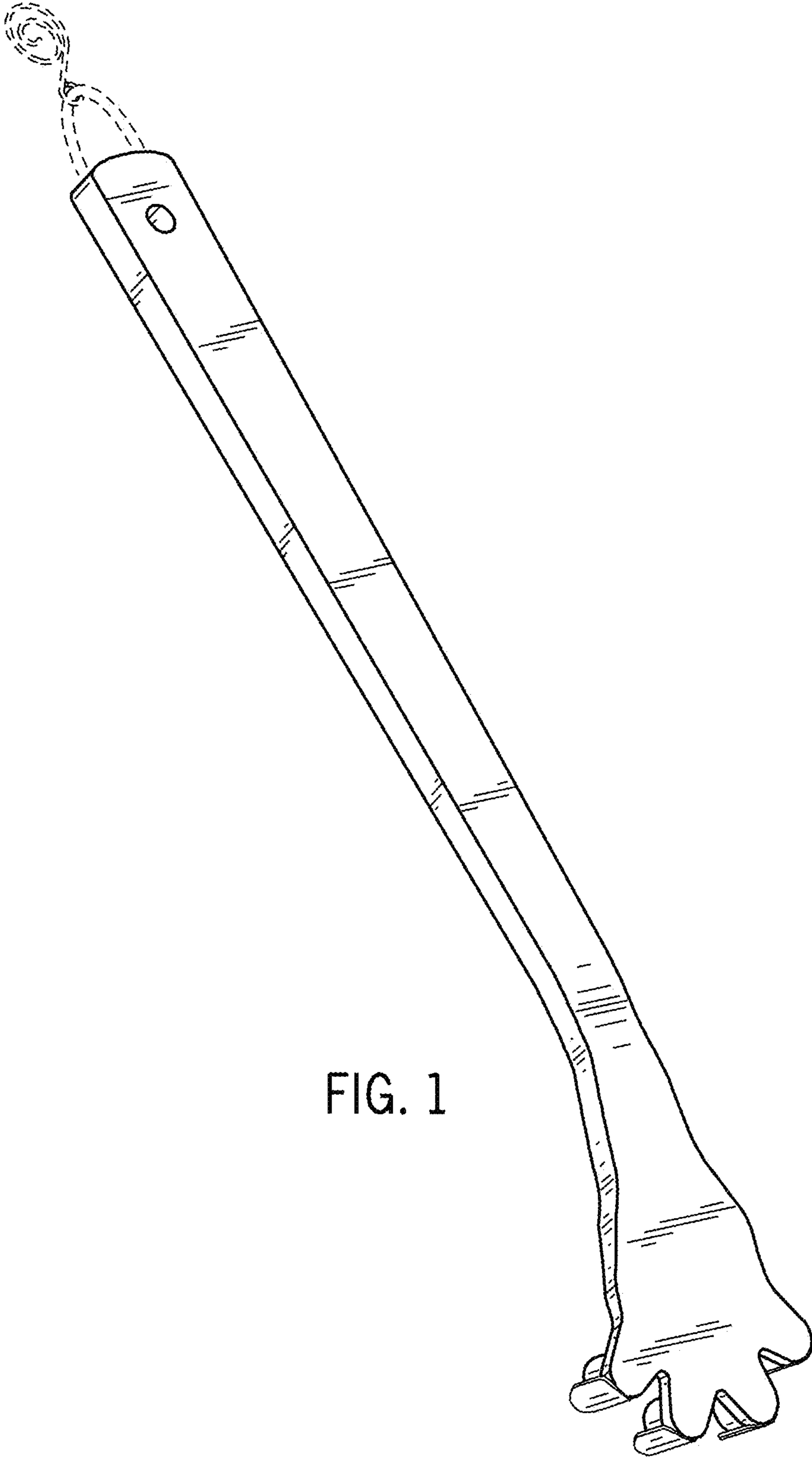


FIG. 1

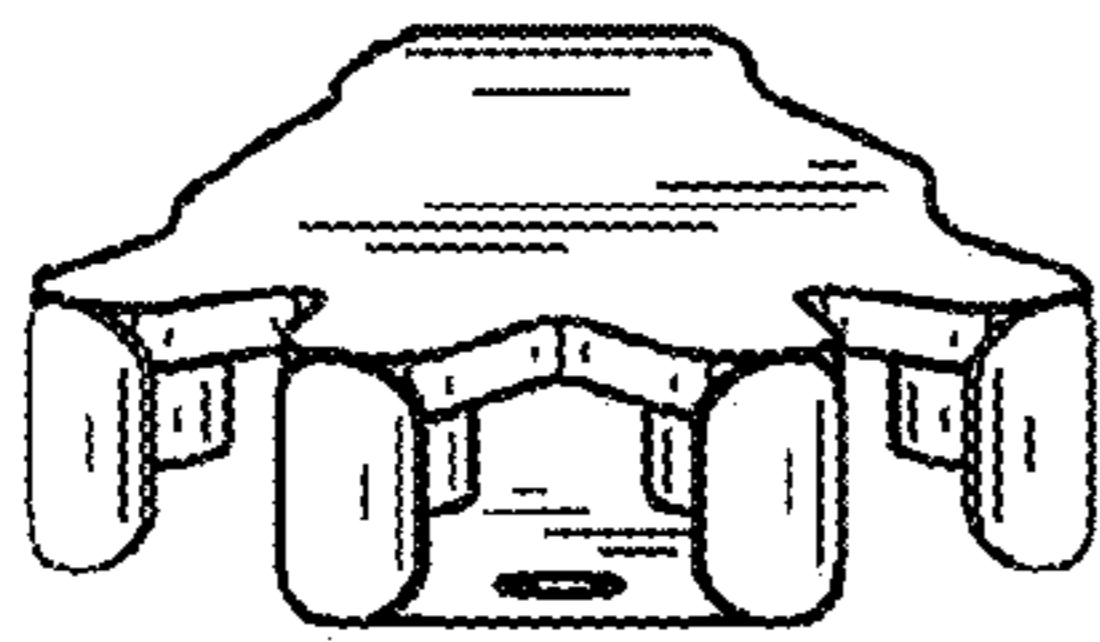


FIG. 2

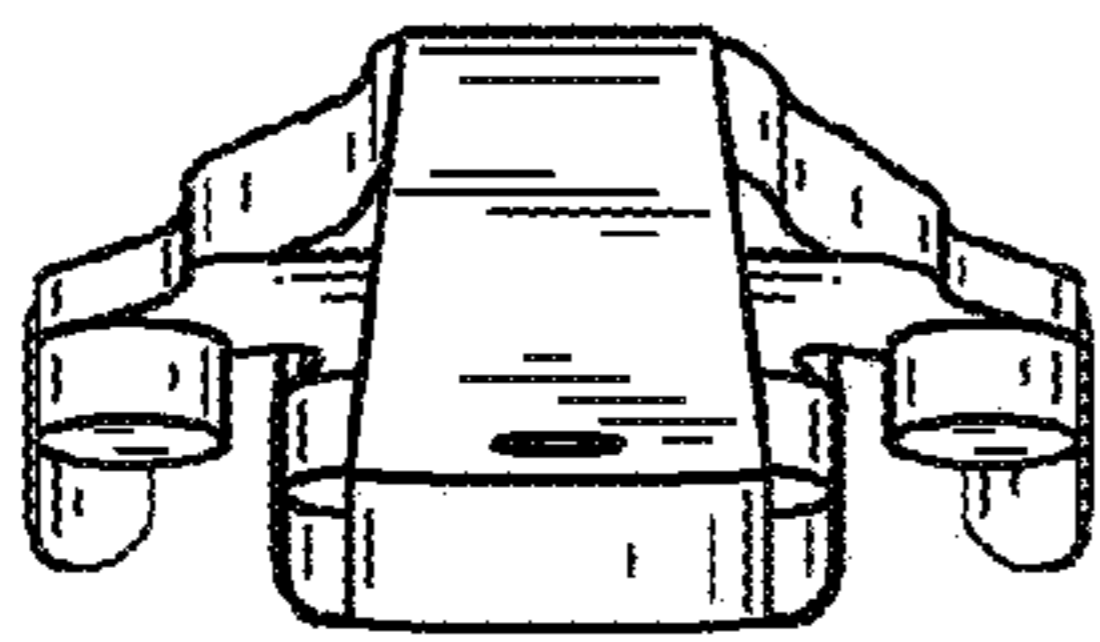


FIG. 3

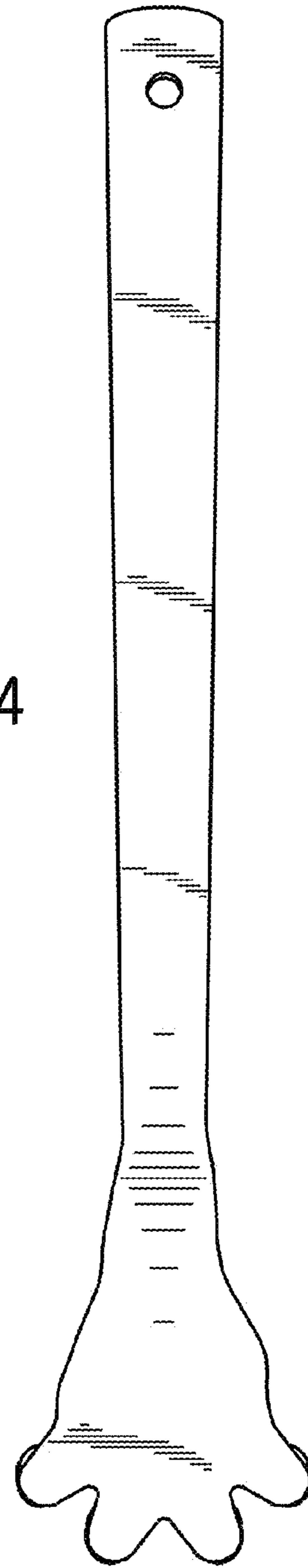


FIG. 4

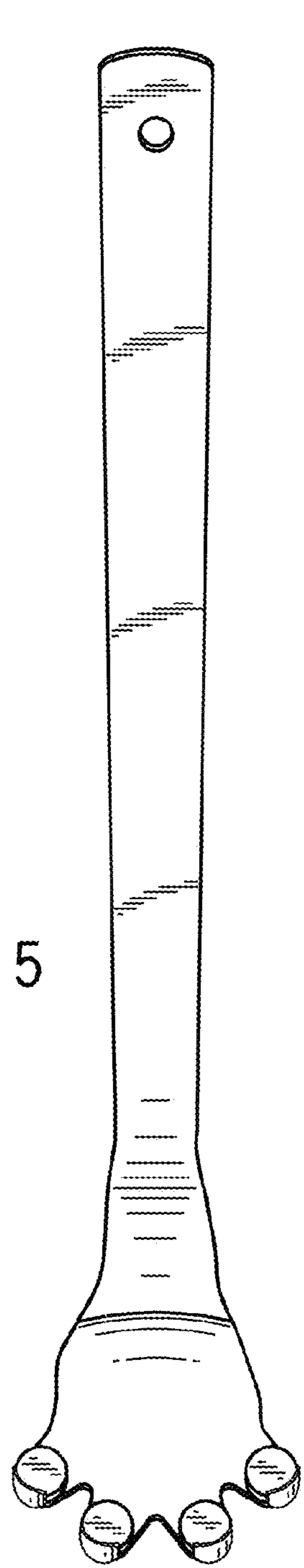


FIG. 5

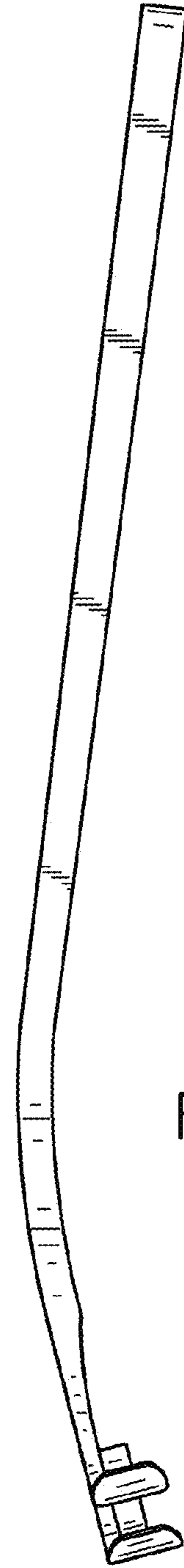


FIG. 6