



US00D688006S

(12) **United States Design Patent**
Lai

(10) **Patent No.:** **US D688,006 S**

(45) **Date of Patent:** **** Aug. 13, 2013**

(54) **COSMETIC CASE**

(71) Applicant: **Chao Ling Chemical Industry Co., Ltd.**, New Taipei (TW)

(72) Inventor: **Chin-Chun Lai**, New Taipei (TW)

(73) Assignee: **Chao Ling Chemical Industry Co., Ltd.**, New Taipei (TW)

(**) Term: **14 Years**

(21) Appl. No.: **29/435,528**

(22) Filed: **Oct. 25, 2012**

(51) **LOC (9) Cl.** **28-03**

(52) **U.S. Cl.**
USPC **D28/73; D3/284; D3/901; D3/295; D28/82**

(58) **Field of Classification Search**
USPC **D28/76-84, 73; 206/581, 823; 132/286-318, 320, 319; D3/901, 294-296, D3/284**

See application file for complete search history.

(56) **References Cited**

U.S. PATENT DOCUMENTS

D417,957 S * 12/1999 Wolf D3/297
D418,298 S * 1/2000 Wolf D3/297
D444,596 S * 7/2001 Lai D28/82

D471,010 S * 3/2003 Wolf D3/294
D471,321 S * 3/2003 Lai D28/82
D524,989 S * 7/2006 Lombardi D28/82
D560,312 S * 1/2008 Washington D28/73
D569,618 S * 5/2008 Kirk D3/291

* cited by examiner

Primary Examiner — Jennifer Rivard

(74) *Attorney, Agent, or Firm* — Leong C. Lei

(57) **CLAIM**

The ornamental design for a cosmetic case, as shown and described.

DESCRIPTION

FIG. 1 is a front perspective view of a cosmetic case showing my new design;

FIG. 2 is a front elevational view thereof;

FIG. 3 is a rear elevational view thereof;

FIG. 4 is a left elevational view thereof;

FIG. 5 is a right elevational view thereof;

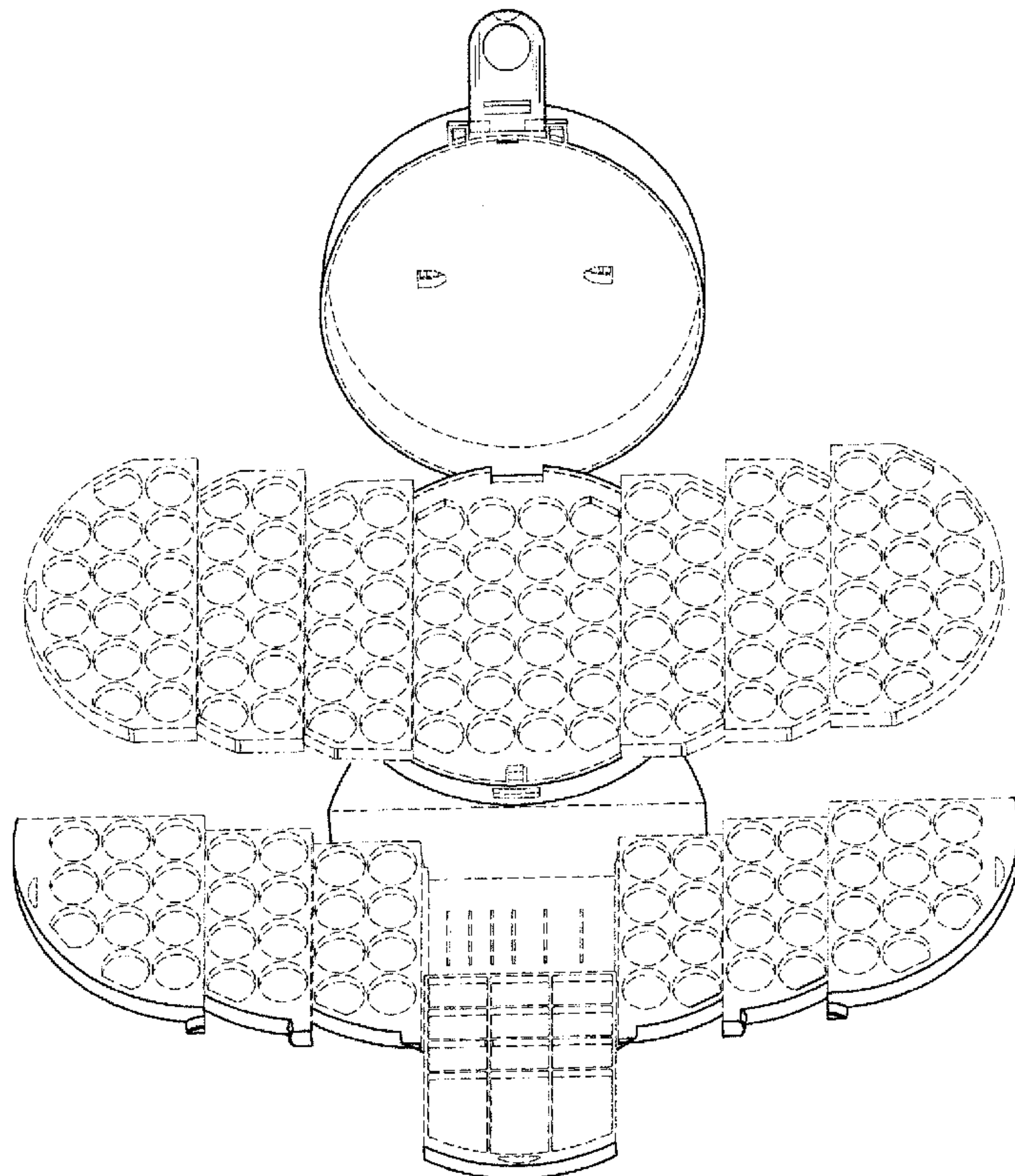
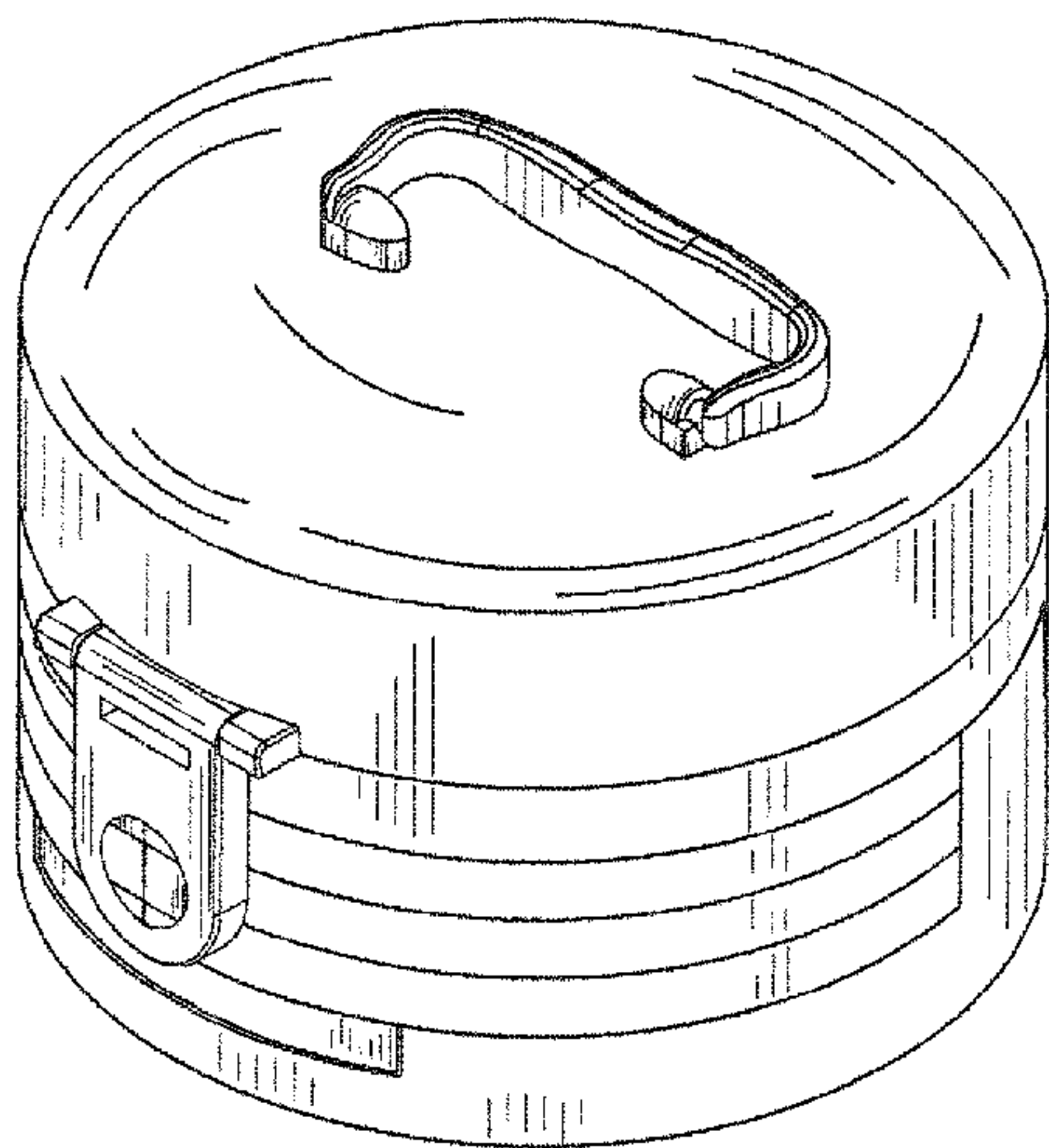
FIG. 6 is a top plan view thereof;

FIG. 7 is a bottom plan view thereof; and,

FIG. 8 is another perspective view thereof, showing the status while in use.

The dotted line showing of the internal storage compartments is for illustrative purposes only and forms no part of the claimed design.

1 Claim, 8 Drawing Sheets



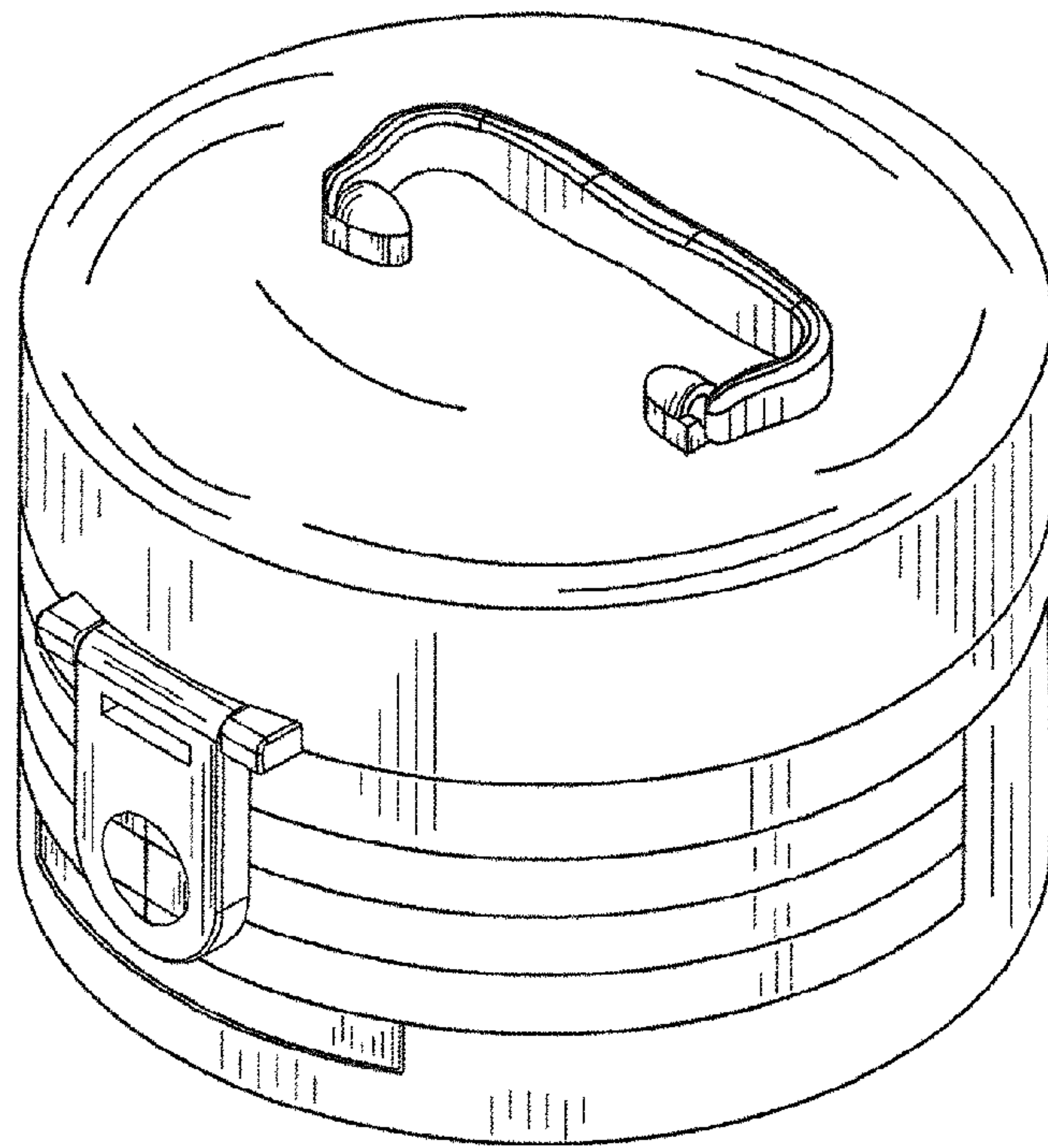


FIG.1

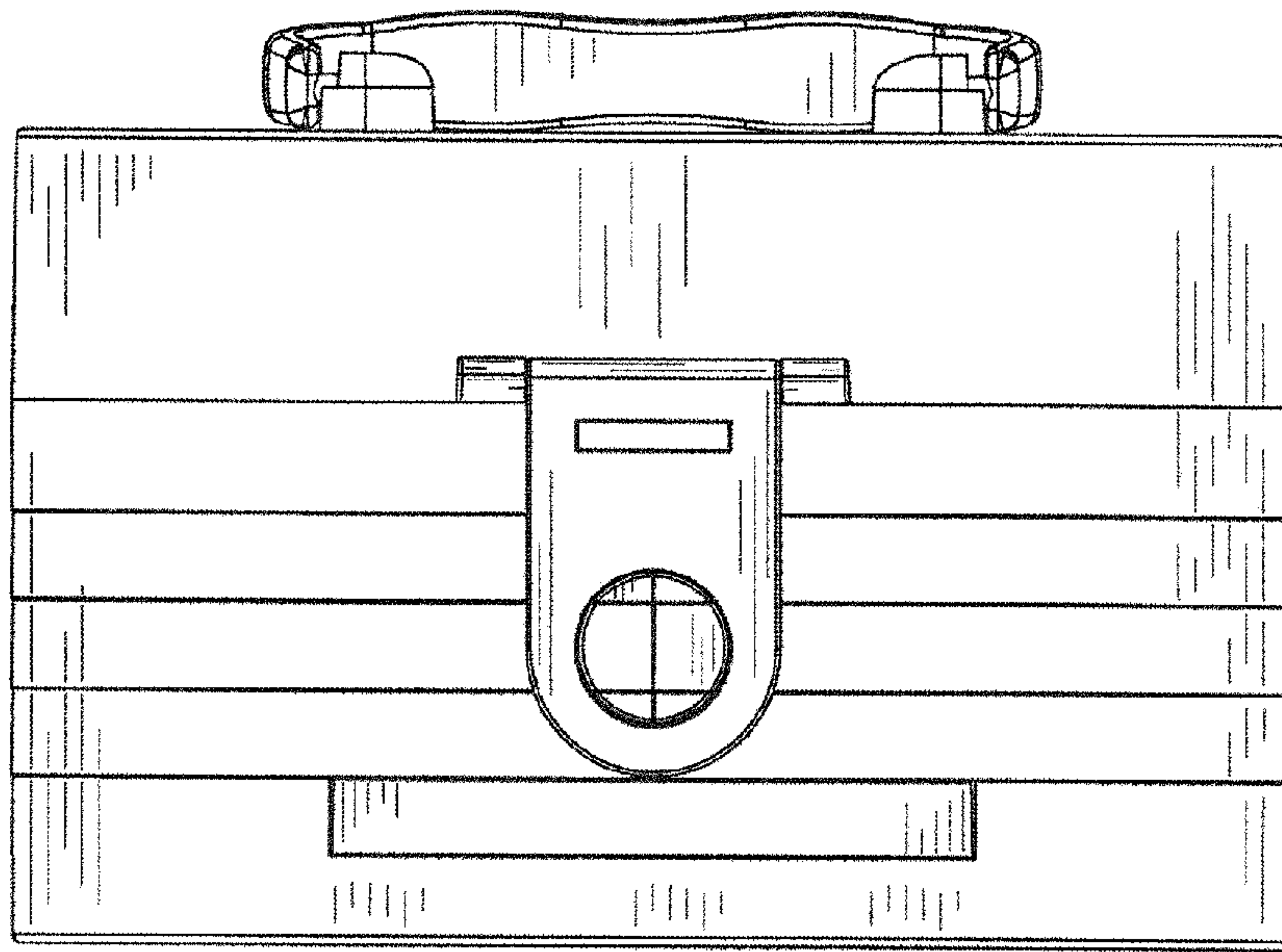


FIG.2

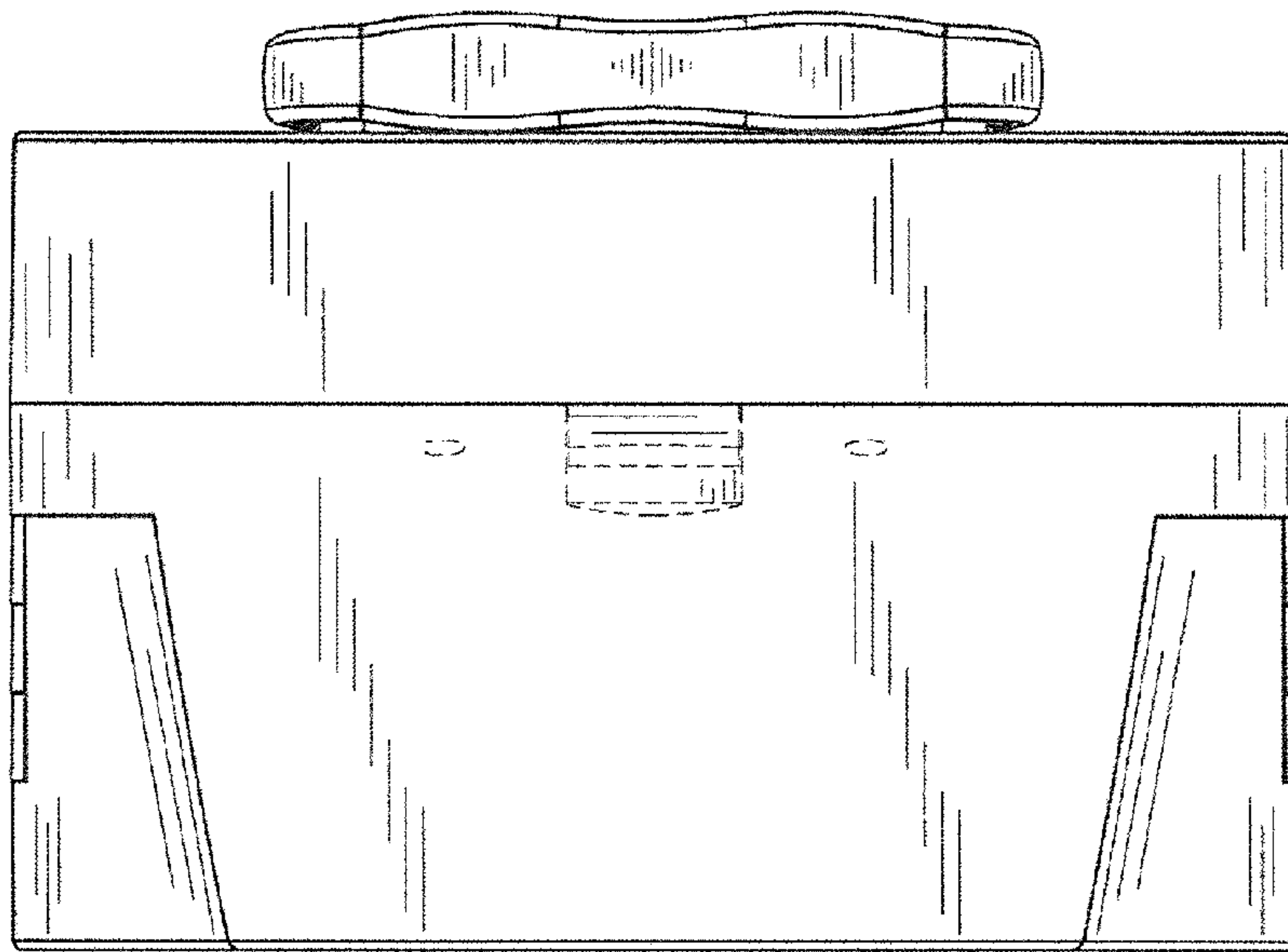


FIG.3

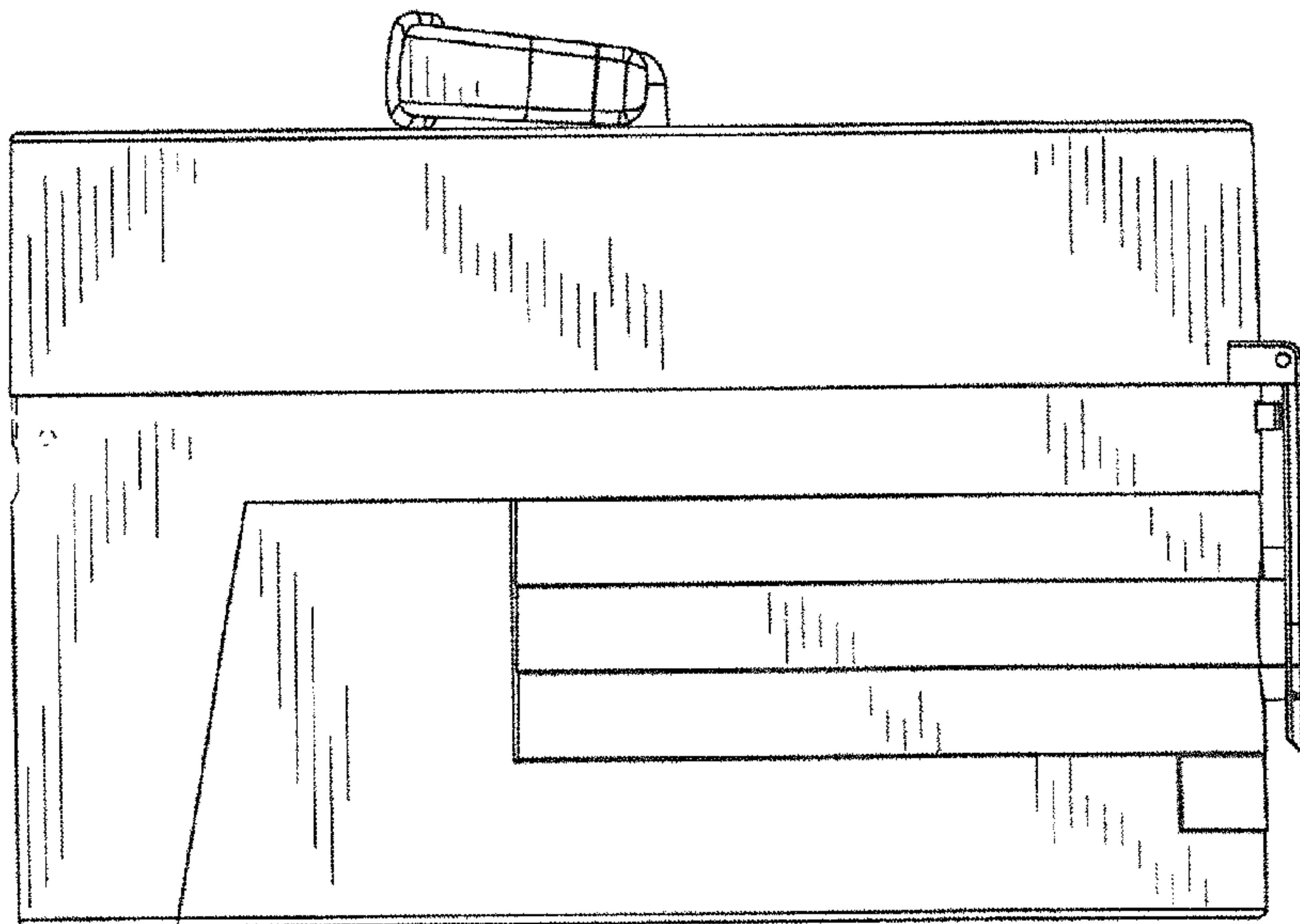


FIG.4

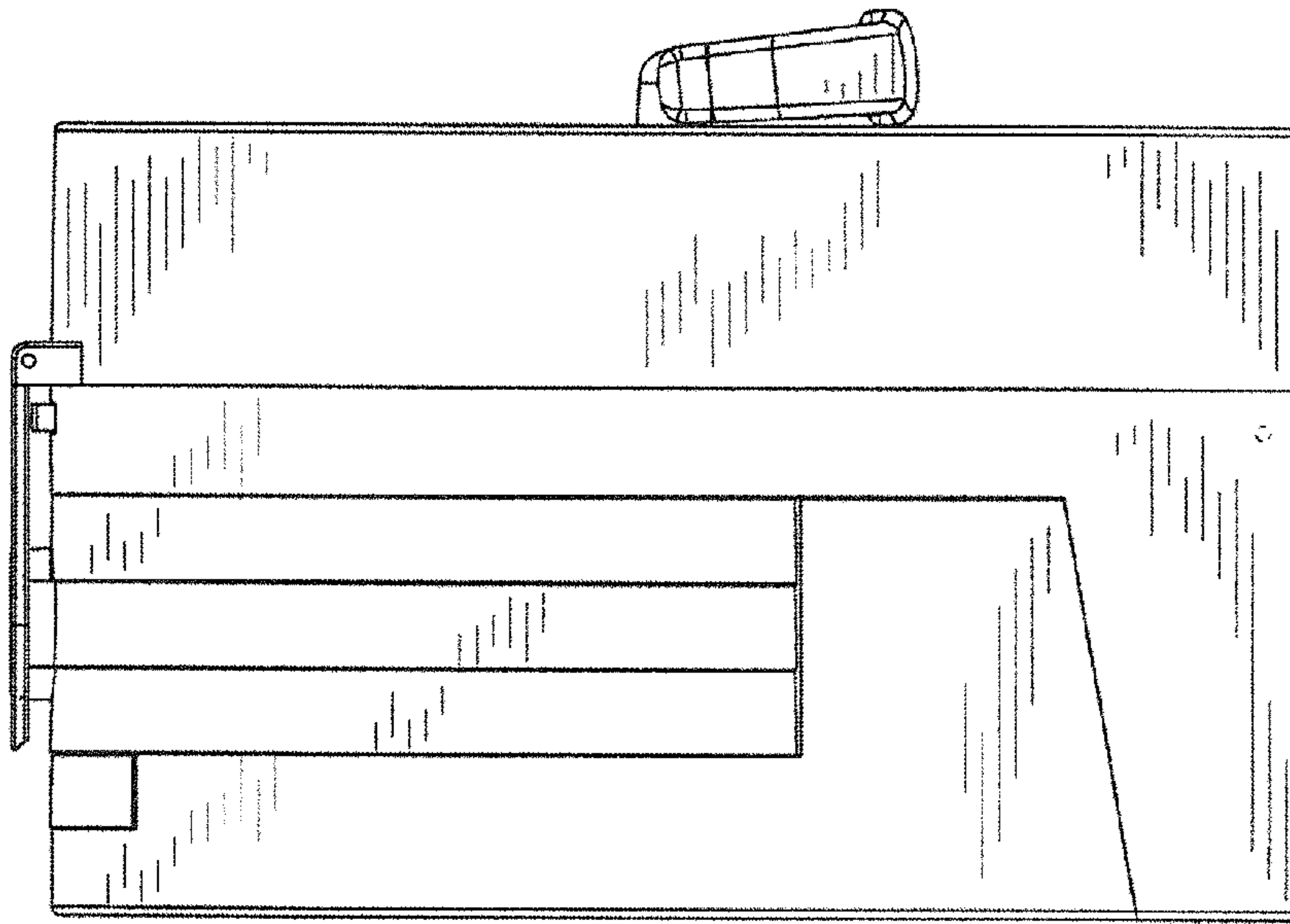


FIG.5

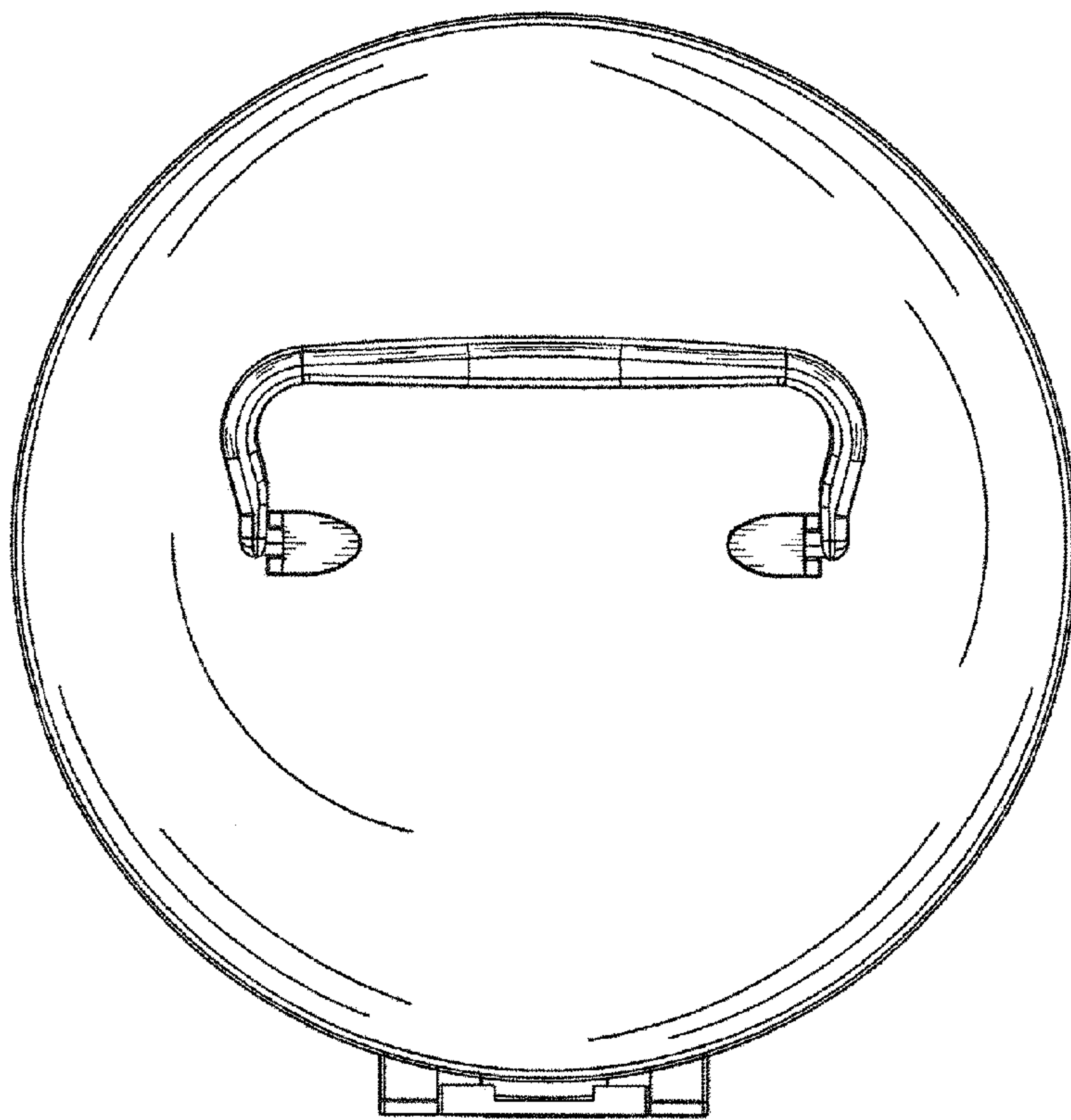


FIG. 6

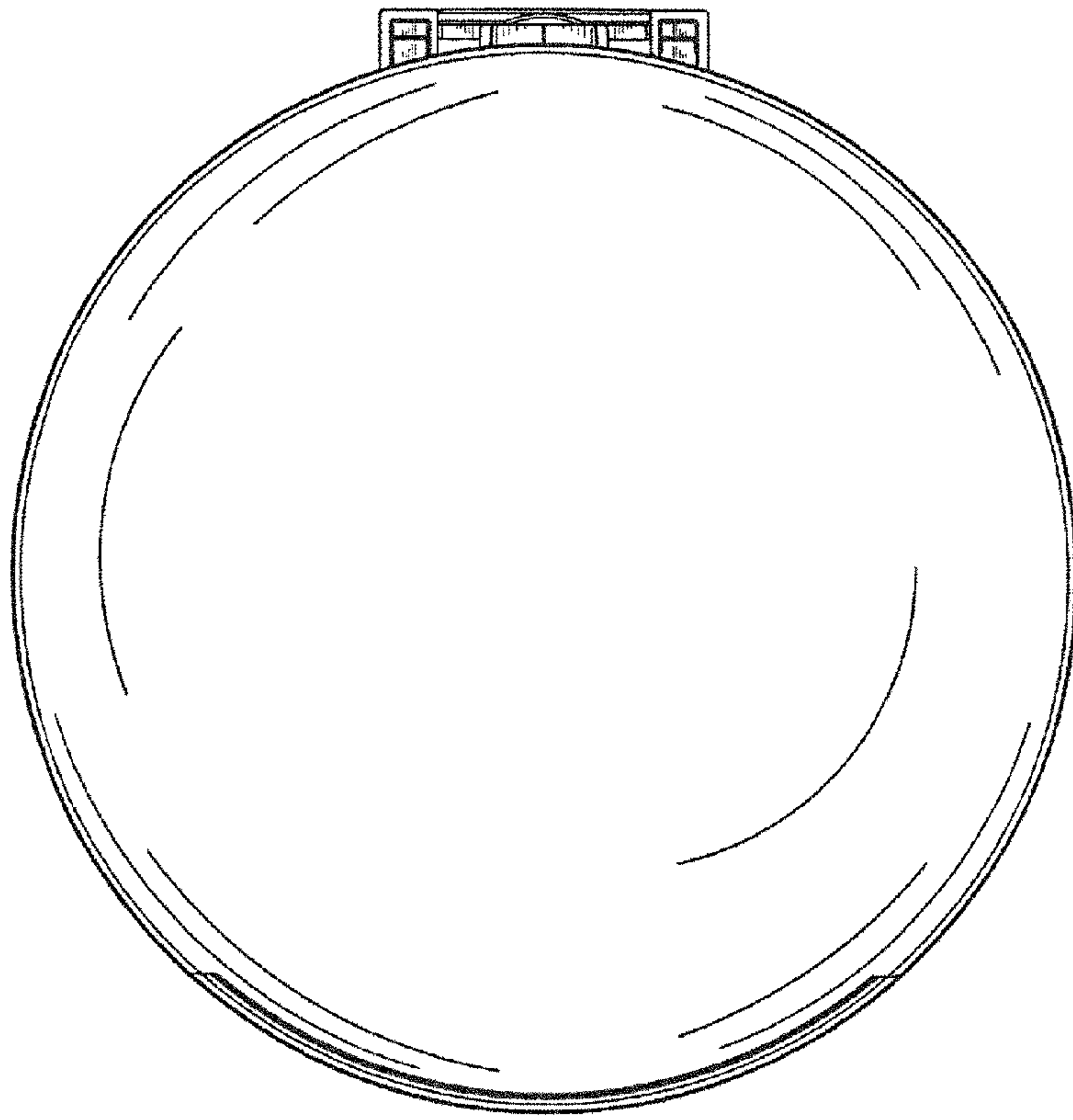


FIG.7

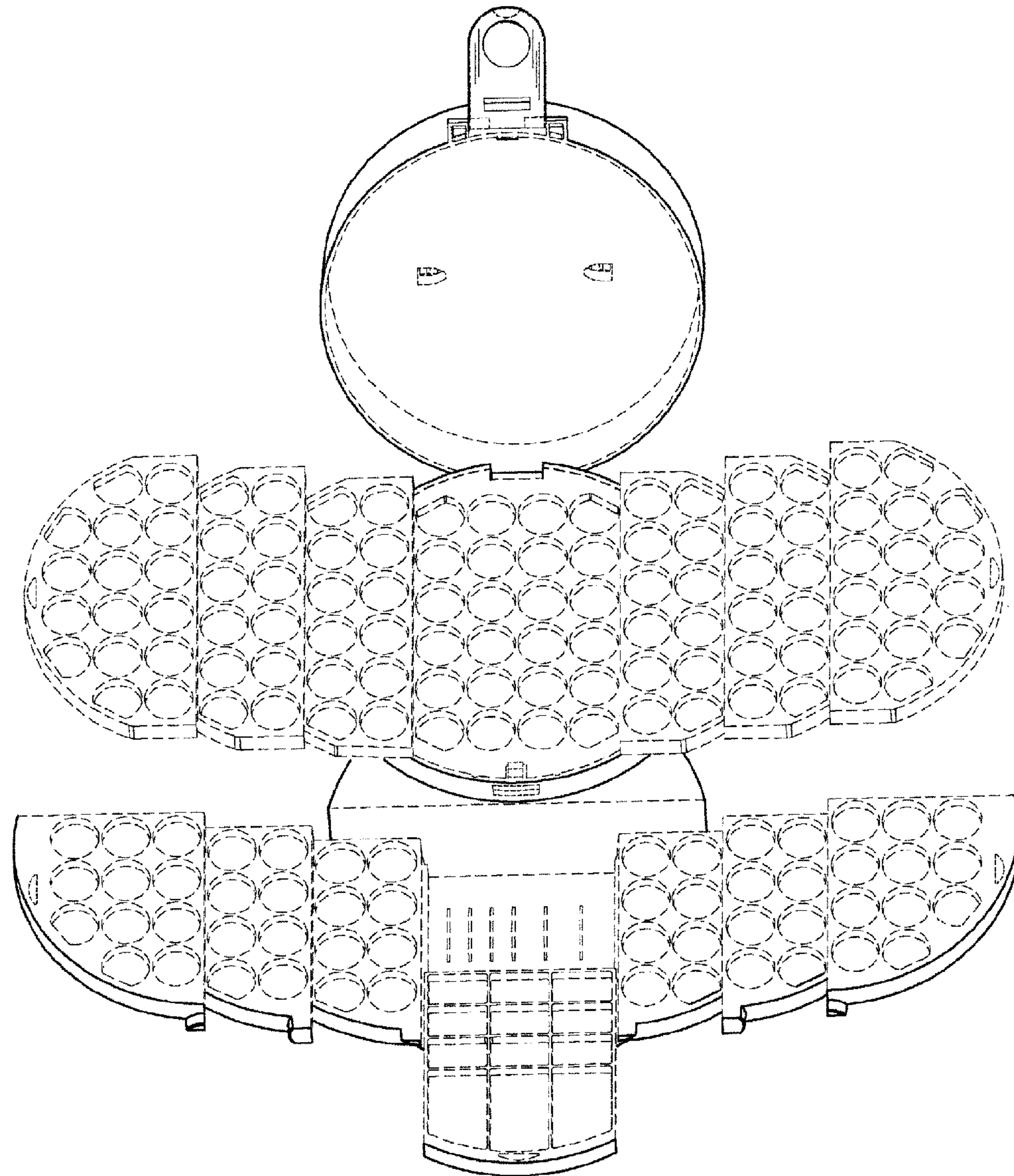


FIG.8