



US00D688003S

(12) **United States Design Patent**  
**Mantle**

(10) **Patent No.:** **US D688,003 S**

(45) **Date of Patent:** **\*\* Aug. 13, 2013**

(54) **COSMETIC APPLICATOR TIP**

(75) Inventor: **Jacqueline Clare Mantle**, Poole (GB)

(73) Assignee: **HCP Packaging USA, Inc**, Shelton, CT (US)

(\*\*) Term: **14 Years**

(21) Appl. No.: **29/420,077**

(22) Filed: **May 4, 2012**

(51) **LOC (9) Cl.** ..... **28-02**

(52) **U.S. Cl.**  
USPC ..... **D28/7**

(58) **Field of Classification Search**  
USPC ..... D28/7, 8, 20–22, 30–31, 76, 85,  
D28/99; 132/108, 202, 208, 317.32;  
401/202–207, 261–267; D4/132–135;  
D24/119

See application file for complete search history.

(56) **References Cited**

U.S. PATENT DOCUMENTS

D304,094	S	*	10/1989	Bennett	.....	D28/7
D323,038	S	*	1/1992	Tarlow	.....	D28/7
5,715,559	A	*	2/1998	Mitri	.....	15/118
D493,570	S	*	7/2004	Phillips	.....	D28/7
D538,975	S	*	3/2007	Montoli	.....	D28/7
D561,390	S	*	2/2008	Sugawara	.....	D28/7
D573,304	S	*	7/2008	Tsaur	.....	D28/7
D573,753	S	*	7/2008	Tsaur	.....	D28/7
D604,050	S	*	11/2009	Hale et al.	.....	D4/116
D641,865	S	*	7/2011	Phillips	.....	D24/119

\* cited by examiner

*Primary Examiner* — Zenia Bennett

(74) *Attorney, Agent, or Firm* — Jonathan Ko

(57) **CLAIM**

The ornamental design for a cosmetic applicator tip, as shown and described.

**DESCRIPTION**

FIG. 1 is a perspective view of a cosmetic applicator tip before finished by the addition of flocking.

FIG. 2 is a right side view and a left side view of a cosmetic applicator tip before finished by the addition of flocking.

FIG. 3 is a top view and a bottom view of a cosmetic applicator tip before finished by the addition of flocking.

FIG. 4 is a front view of a cosmetic applicator tip before finished by the addition of flocking.

FIG. 5 is a rear view of a cosmetic applicator tip before finished by the addition of flocking.

FIG. 6 is a perspective view of a cosmetic applicator tip after finished by the addition of flocking.

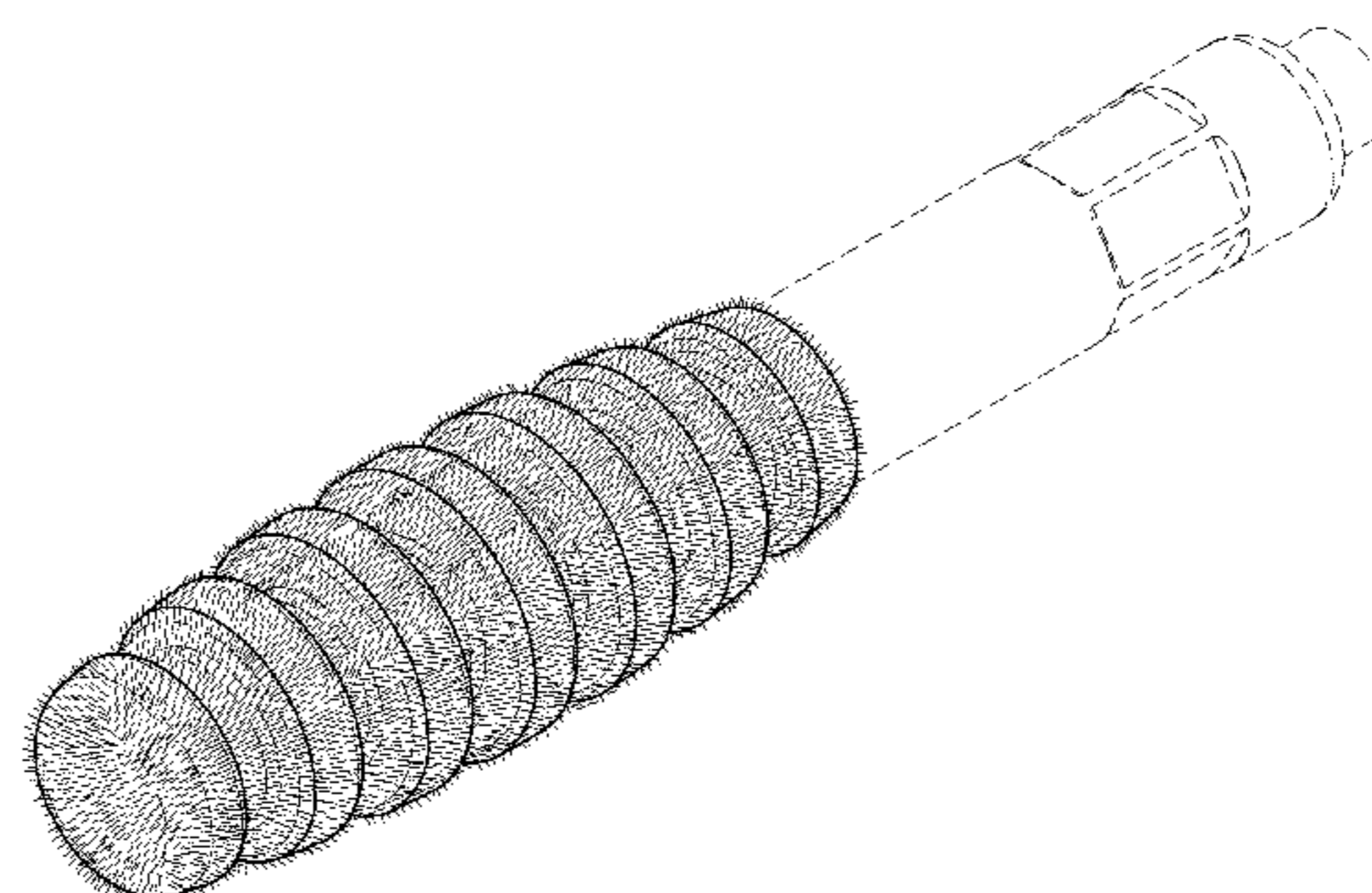
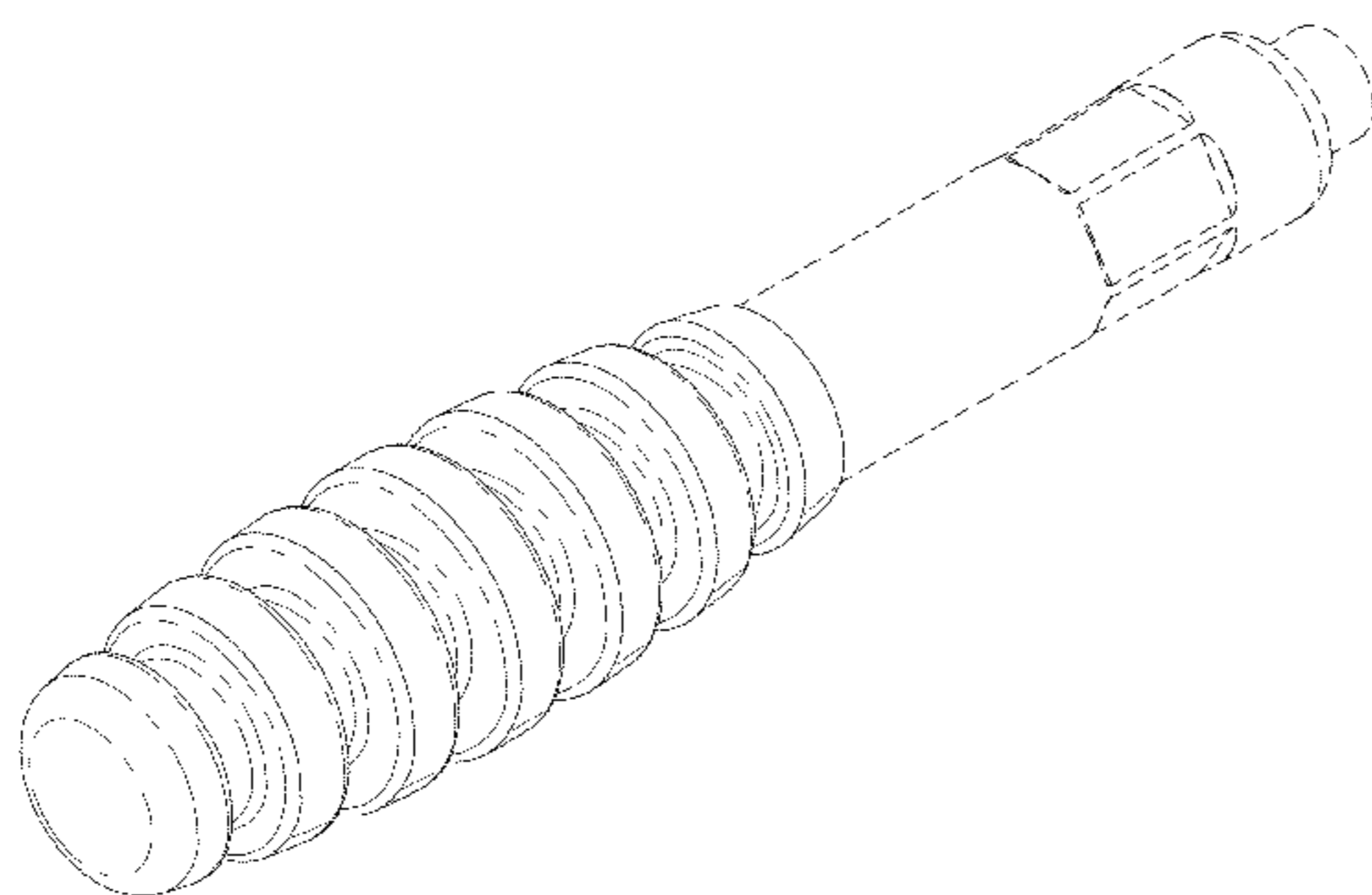
FIG. 7 is a right side view and a left side view of a cosmetic applicator tip after finished by the addition of flocking.

FIG. 8 is a top view and a bottom view of a cosmetic applicator tip after finished by the addition of flocking.

FIG. 9 is a front view of a cosmetic applicator tip after finished by the addition of flocking; and,

FIG. 10 is a rear view of a cosmetic applicator tip after finished by the addition of flocking.

**1 Claim, 6 Drawing Sheets**



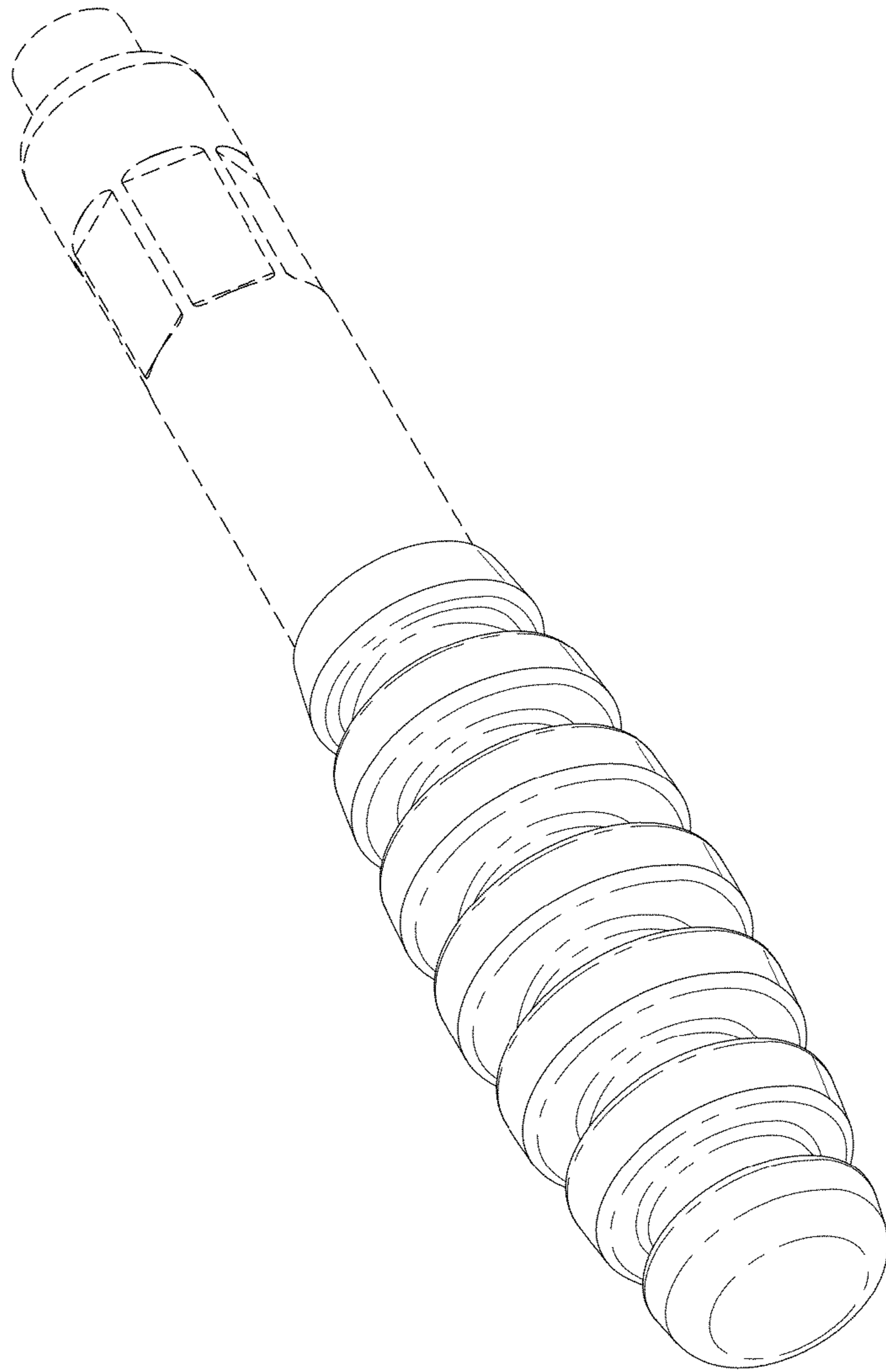


Fig. 1

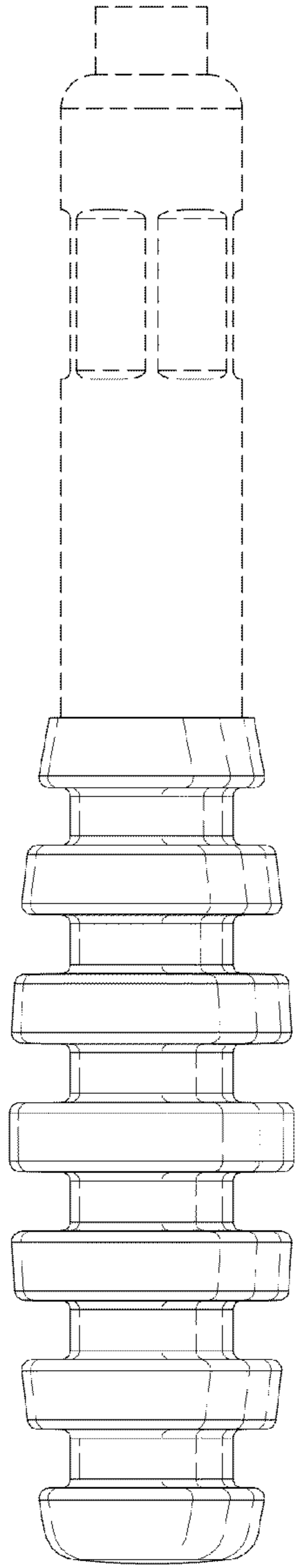


Fig. 2

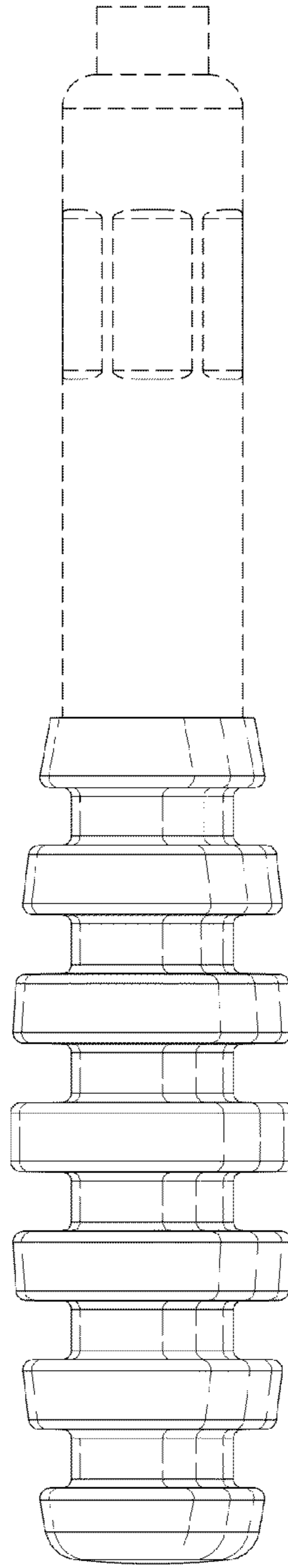


Fig. 3

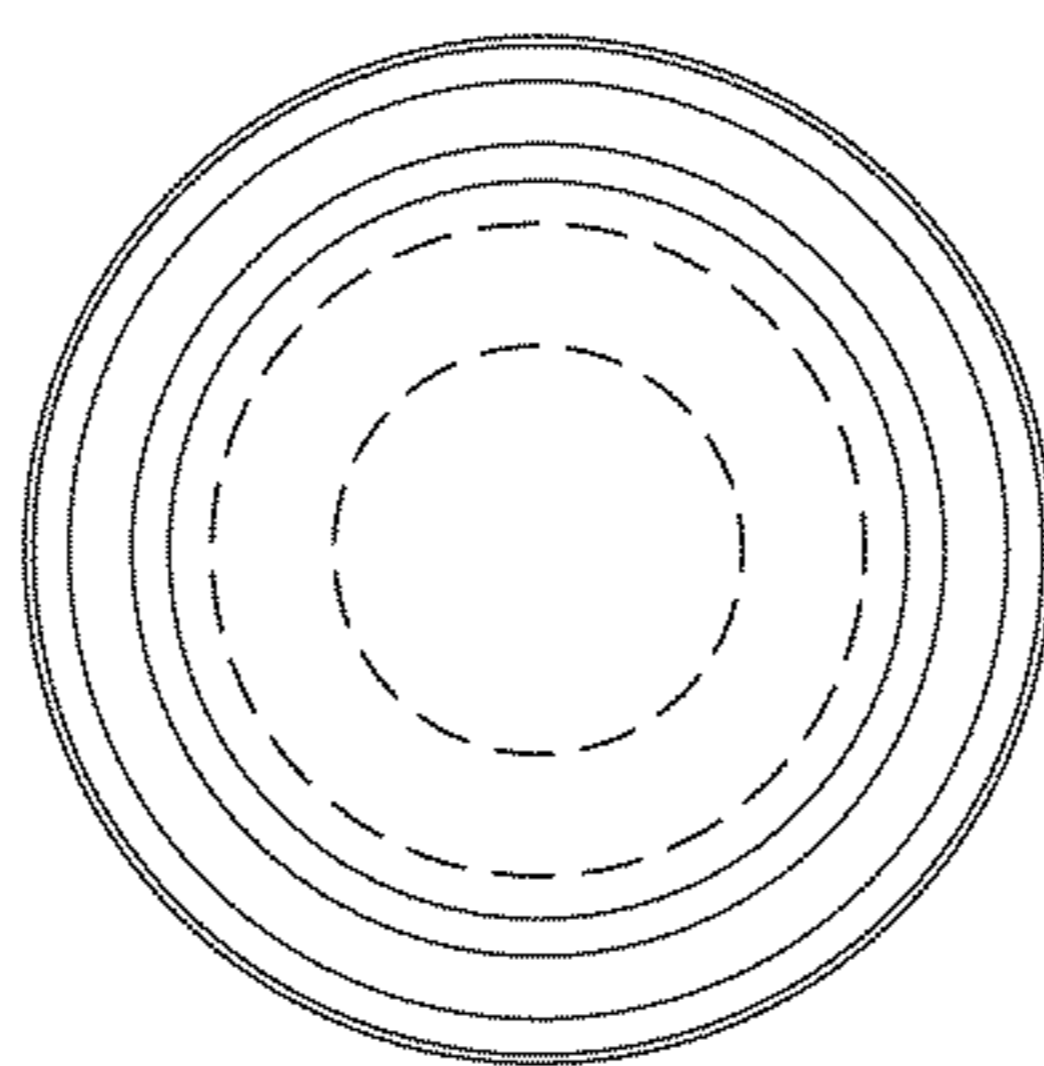


Fig. 5

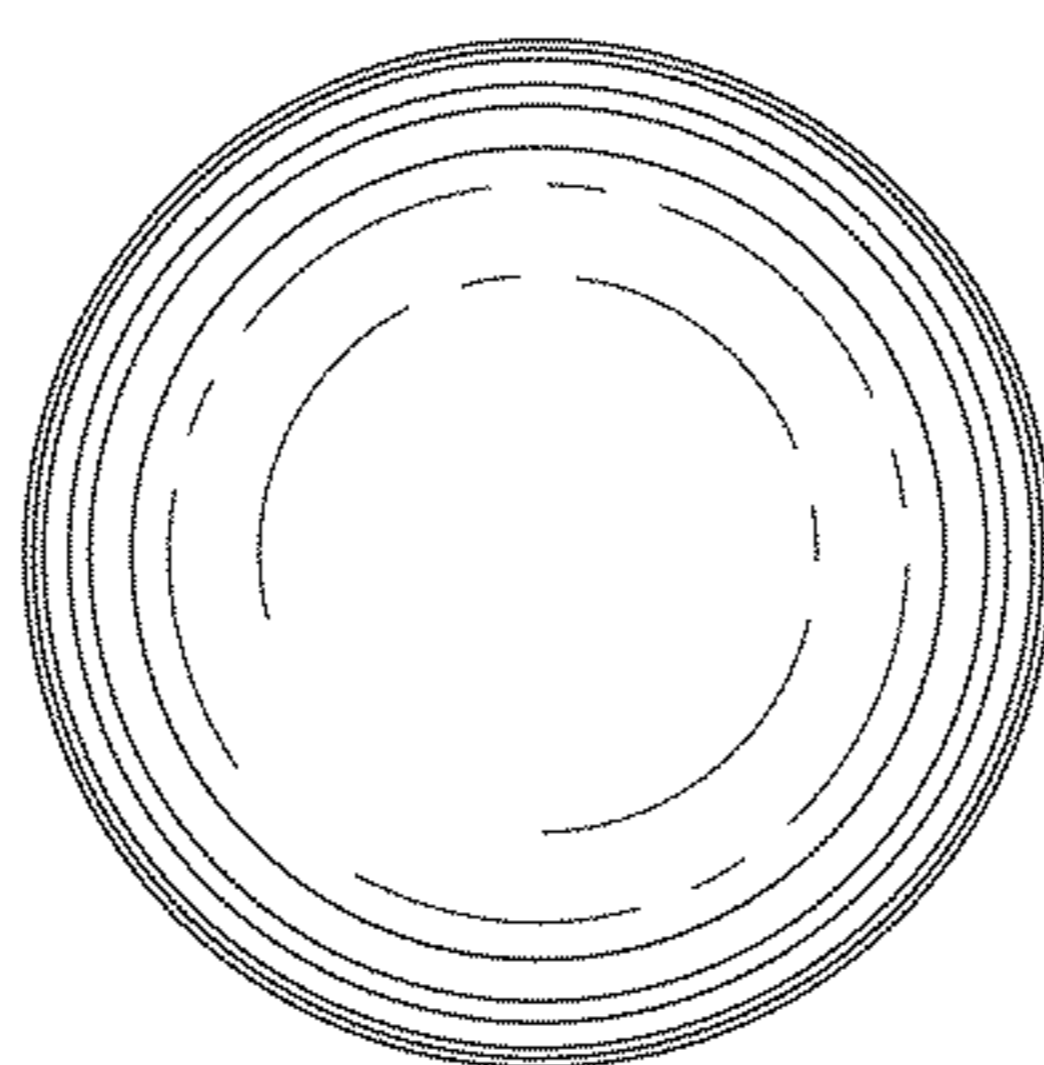


Fig. 4



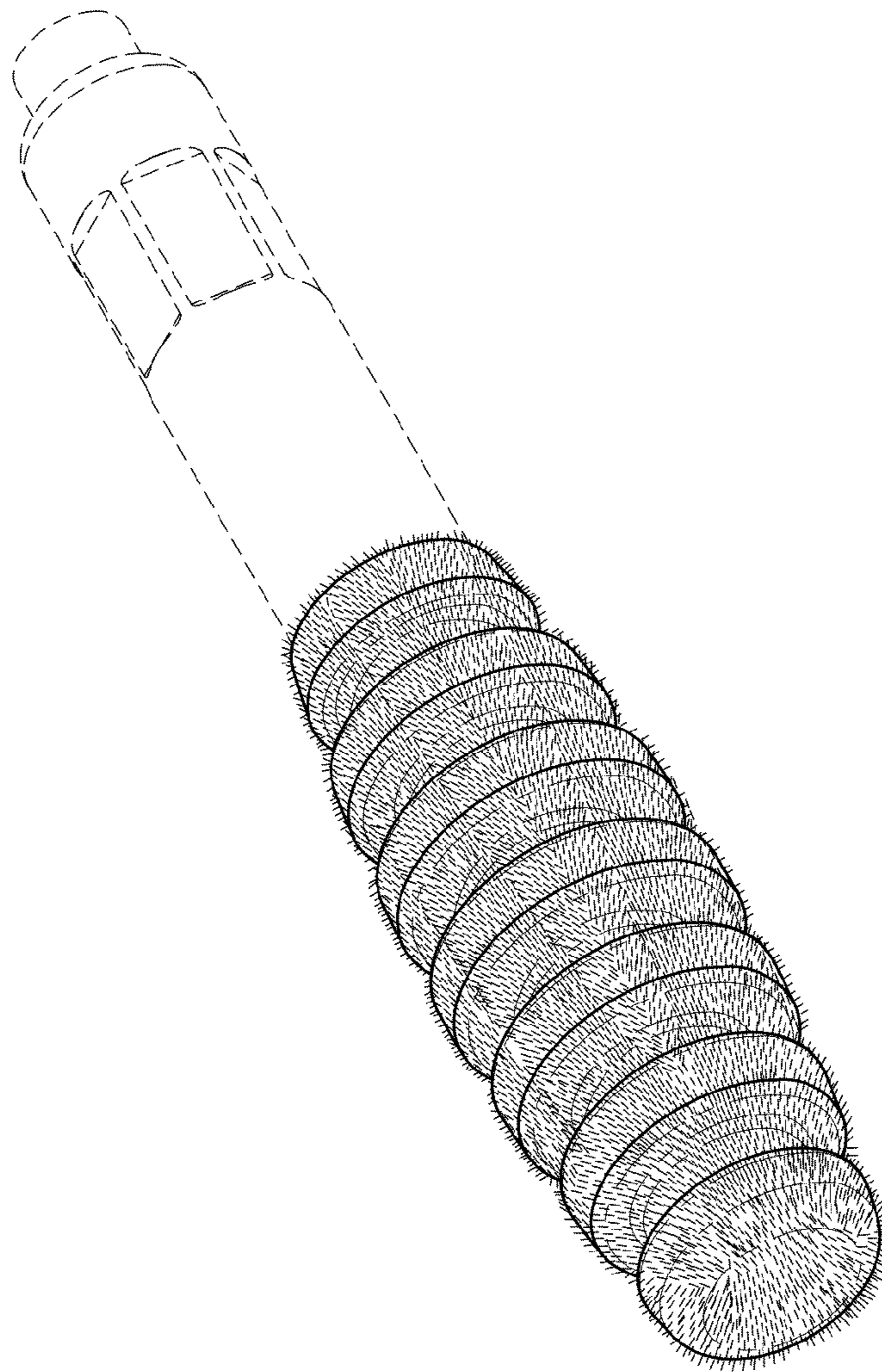


Fig. 6

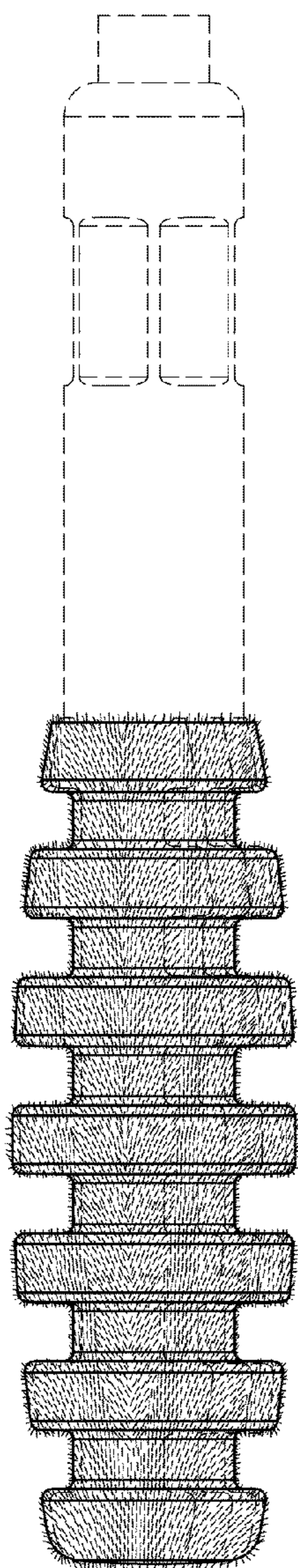


Fig. 7

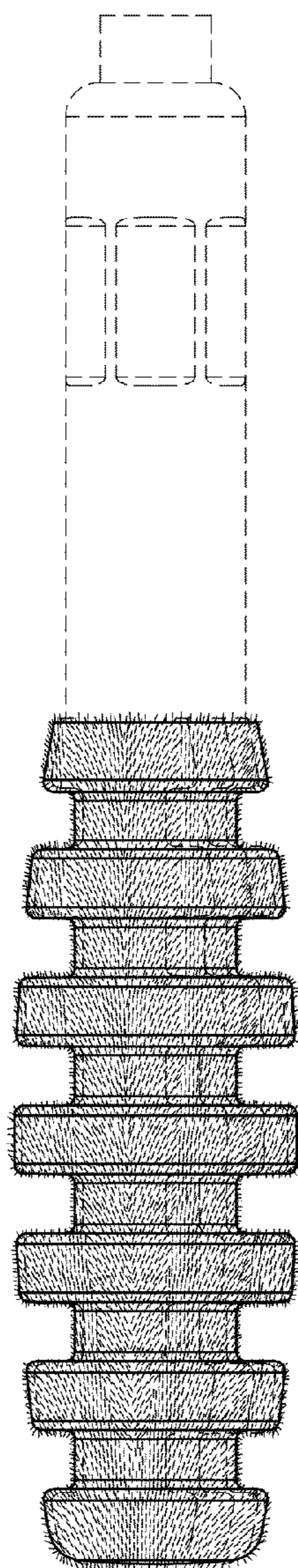


Fig. 8

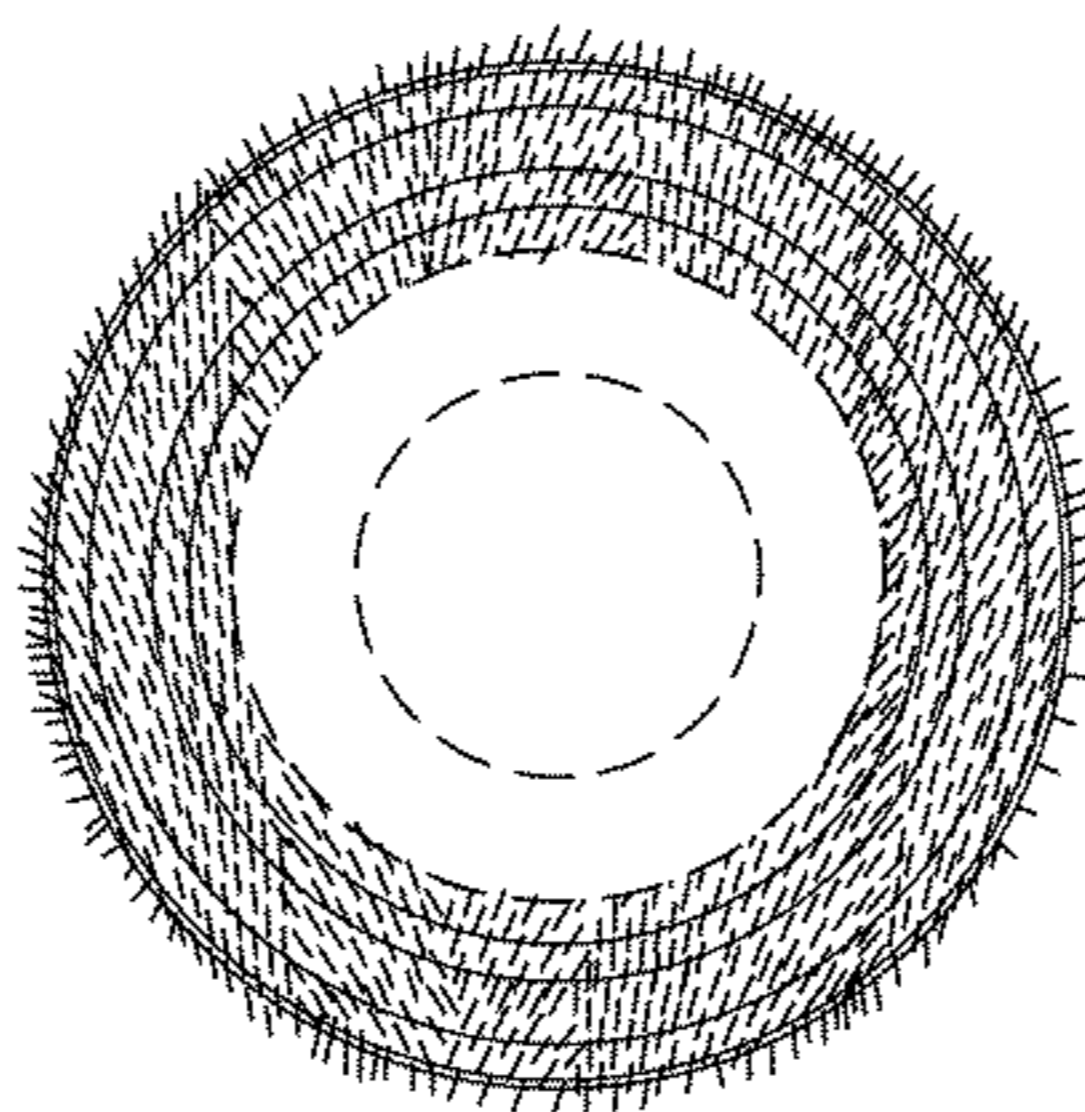


Fig. 10

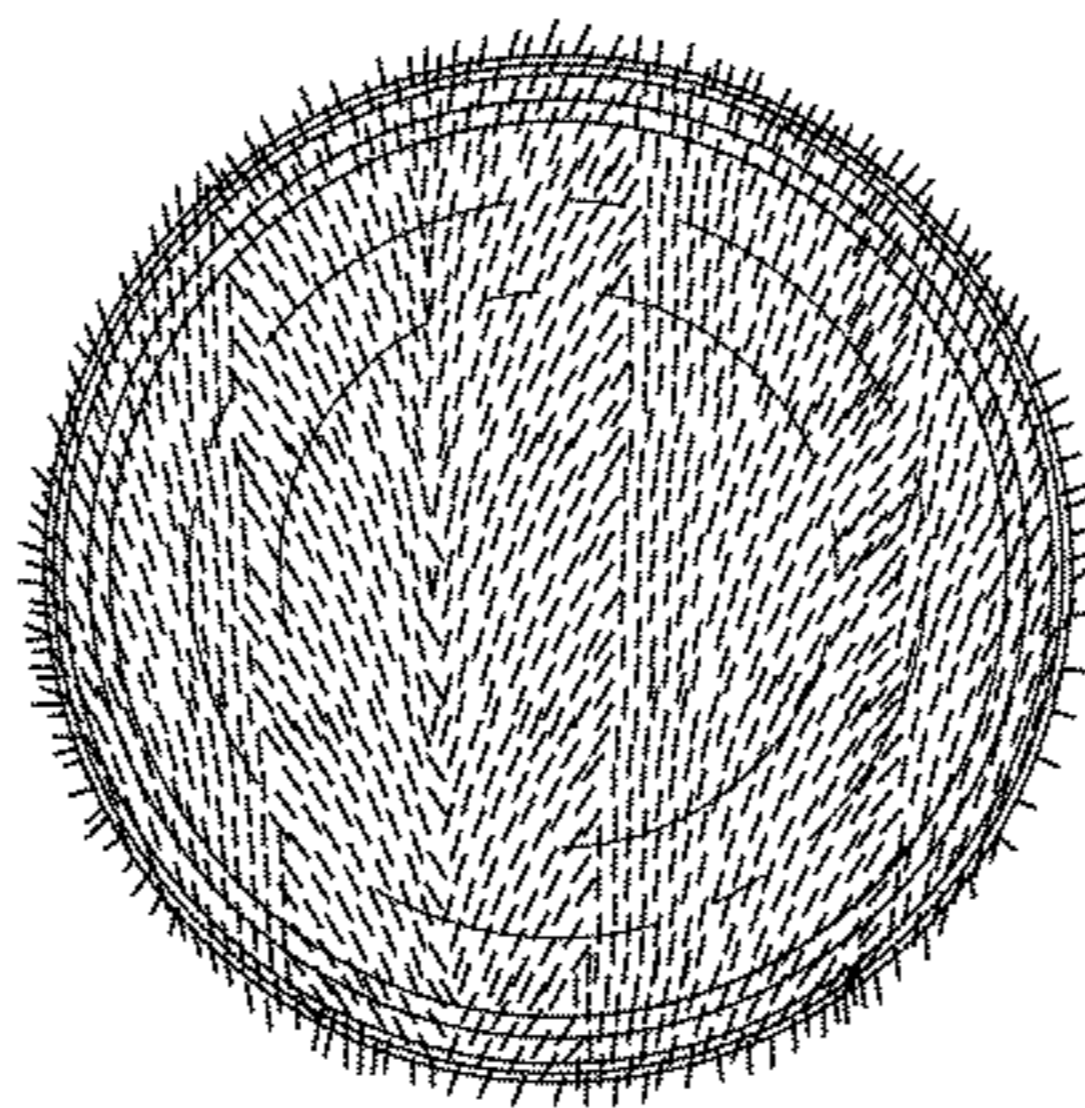


Fig. 9