



US00D688002S

(12) **United States Design Patent**  
**Mantle**

(10) **Patent No.:** **US D688,002 S**

(45) **Date of Patent:** **\*\* Aug. 13, 2013**

(54) **COSMETIC APPLICATOR TIP**

(75) Inventor: **Jacqueline Clare Mantle**, Poole (GB)

(73) Assignee: **HCP Packaging USA, Inc**, Shelton, CT (US)

(\*\*) Term: **14 Years**

(21) Appl. No.: **29/420,075**

(22) Filed: **May 4, 2012**

(51) **LOC (9) Cl.** ..... **28-02**

(52) **U.S. Cl.**  
USPC ..... **D28/7**

(58) **Field of Classification Search**  
USPC ..... D28/7, 8, 20–22, 30–31, 76, 85,  
D28/99; 132/108, 202, 208, 317.32;  
401/202–207, 261–267; D4/132–135;  
D24/119

See application file for complete search history.

(56) **References Cited**

**U.S. PATENT DOCUMENTS**

D282,974 S *	3/1986	Cassai et al. ....	D28/7
D304,094 S *	10/1989	Bennett .....	D28/7
D384,184 S *	9/1997	Dewey .....	D28/7
D541,979 S *	5/2007	Montoli .....	D28/7
D573,304 S *	7/2008	Tsaur .....	D28/7
D573,753 S *	7/2008	Tsaur .....	D28/7
D604,050 S *	11/2009	Hale et al. ....	D4/116

D641,865 S \* 7/2011 Phillips ..... D24/119

\* cited by examiner

*Primary Examiner* — Zenia Bennett

(74) *Attorney, Agent, or Firm* — Jonathan Ko

(57) **CLAIM**

The ornamental design for a cosmetic applicator tip, as shown and described.

**DESCRIPTION**

FIG. 1 is a perspective view of a cosmetic applicator tip before finished by the addition of flocking.

FIG. 2 is a right side view and a left side view of a cosmetic applicator tip before finished by the addition of flocking.

FIG. 3 is a top view and a bottom view of a cosmetic applicator tip before finished by the addition of flocking.

FIG. 4 is a front view of a cosmetic applicator tip before finished by the addition of flocking.

FIG. 5 is a rear view of a cosmetic applicator tip before finished by the addition of flocking.

FIG. 6 is a perspective view of a cosmetic applicator tip after finished by the addition of flocking.

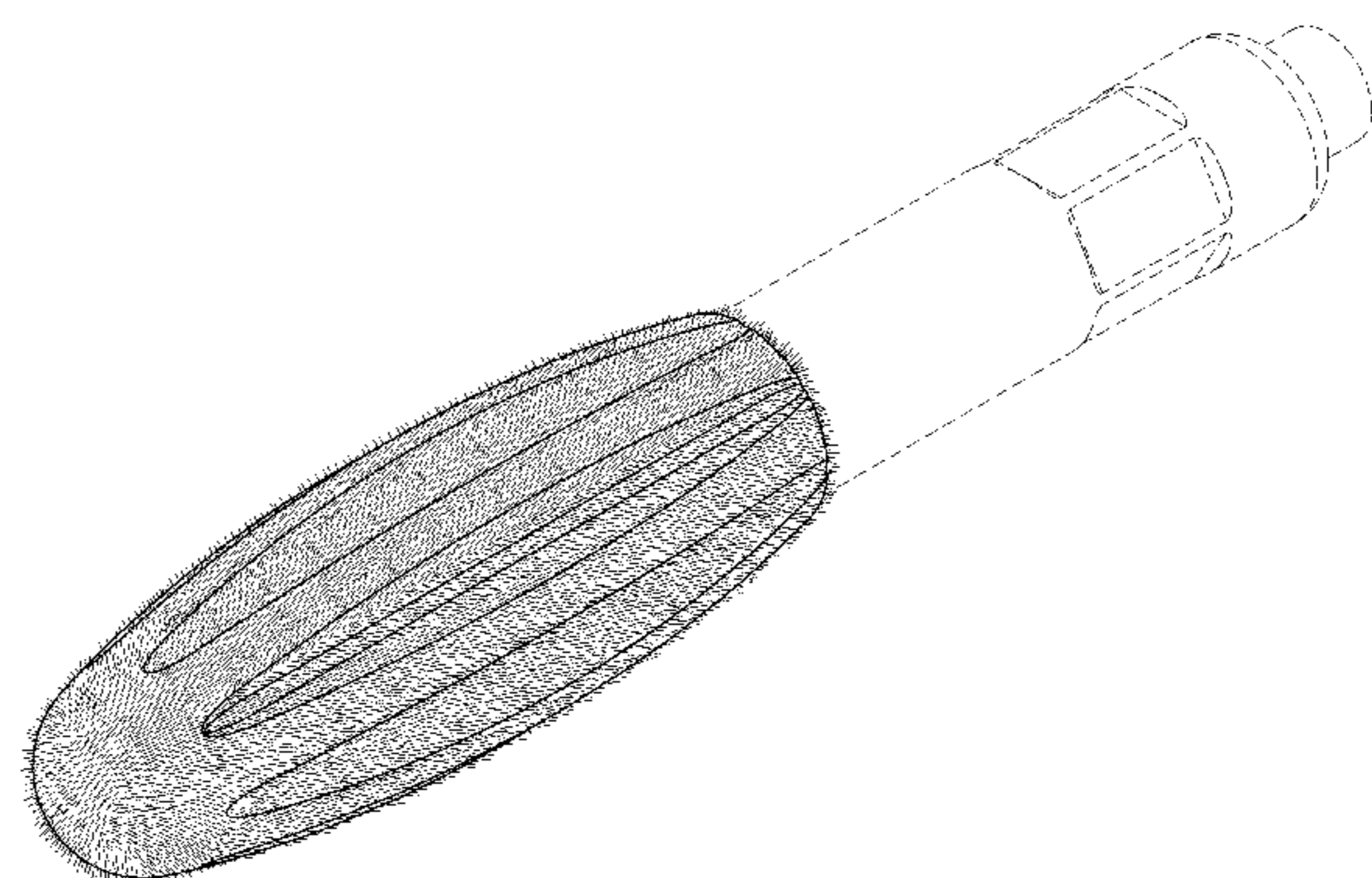
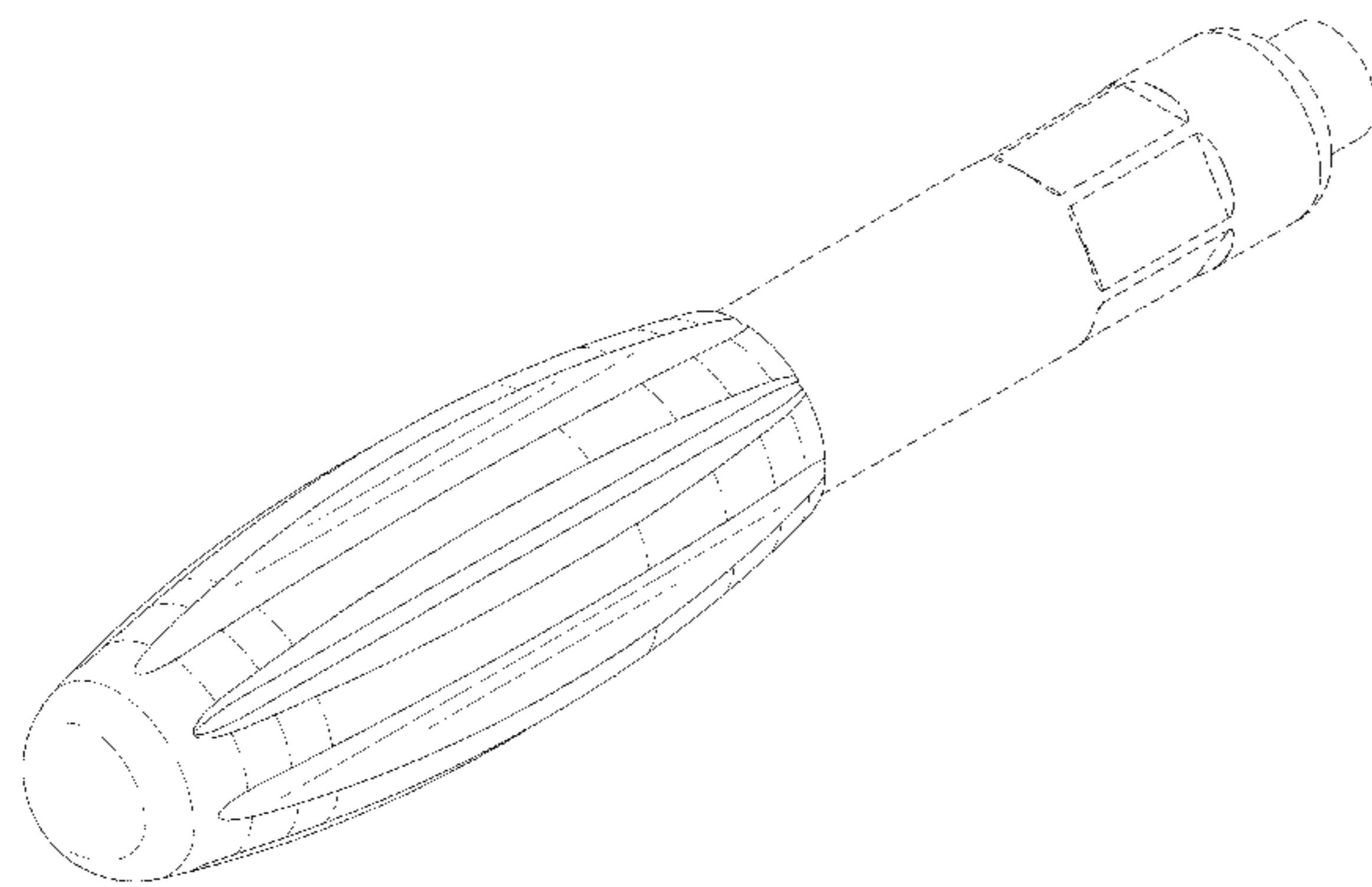
FIG. 7 is a right side view and a left side view of a cosmetic applicator tip after finished by the addition of flocking.

FIG. 8 is a top view and a bottom view of a cosmetic applicator tip after finished by the addition of flocking.

FIG. 9 is a front view of a cosmetic applicator tip after finished by the addition of flocking; and,

FIG. 10 is a rear view of a cosmetic applicator tip after finished by the addition of flocking.

**1 Claim, 6 Drawing Sheets**



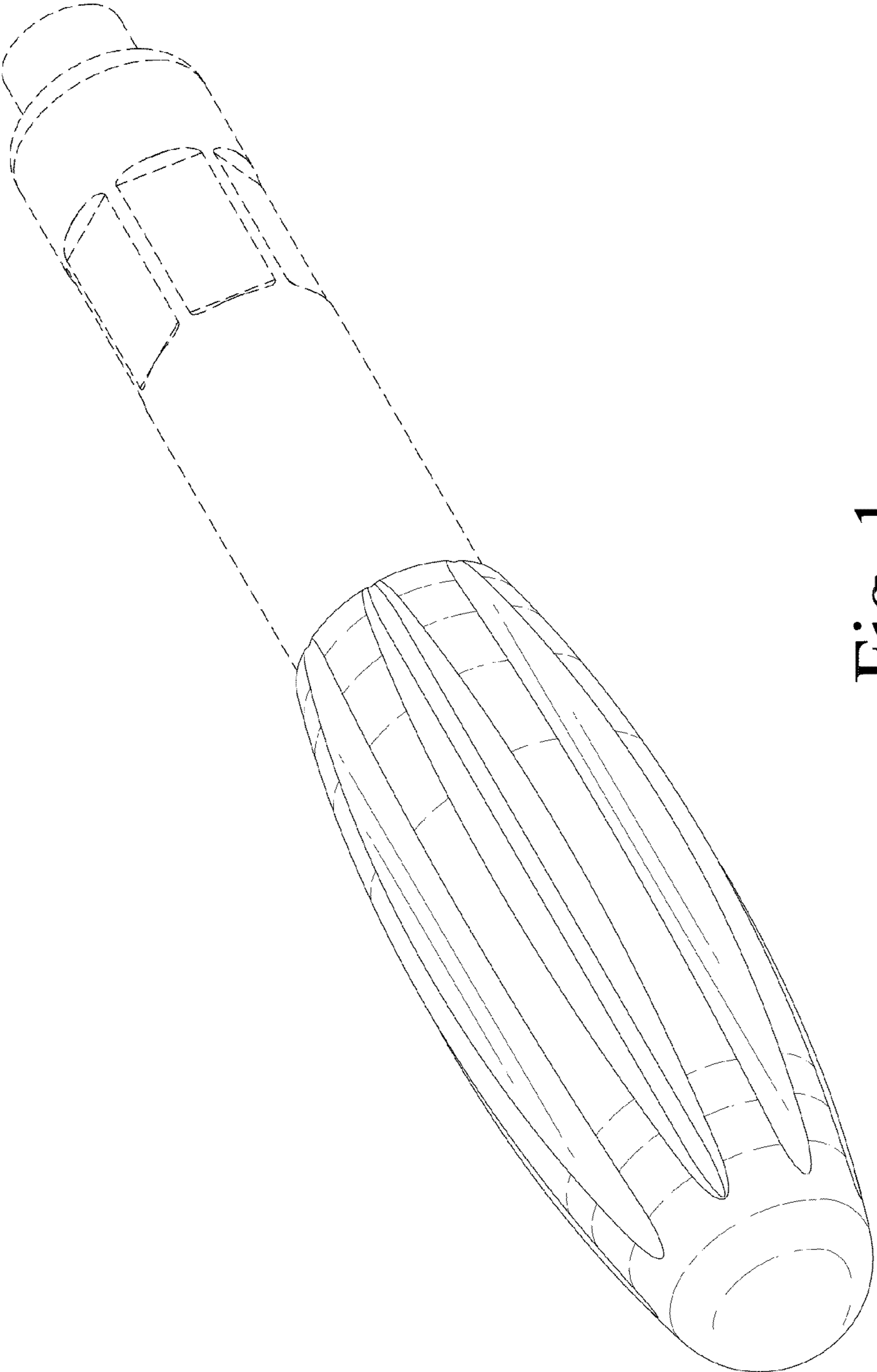


Fig. 1

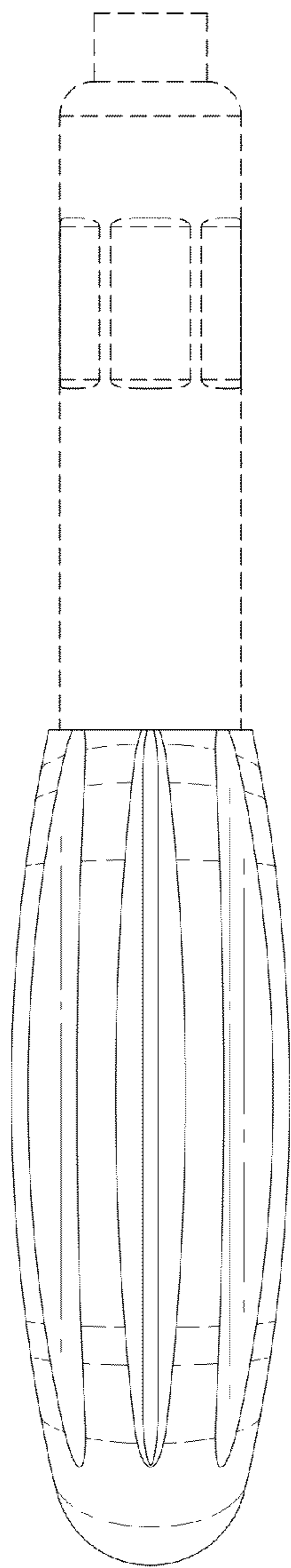


Fig. 2

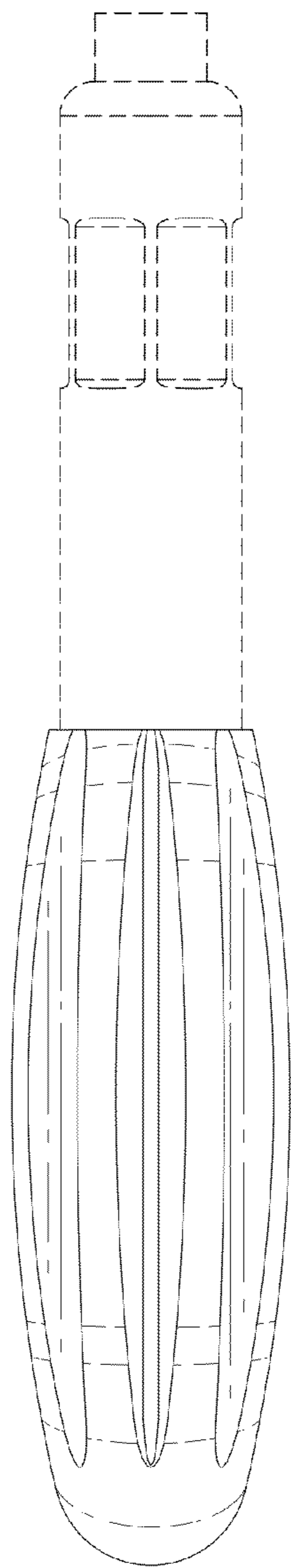


Fig. 3

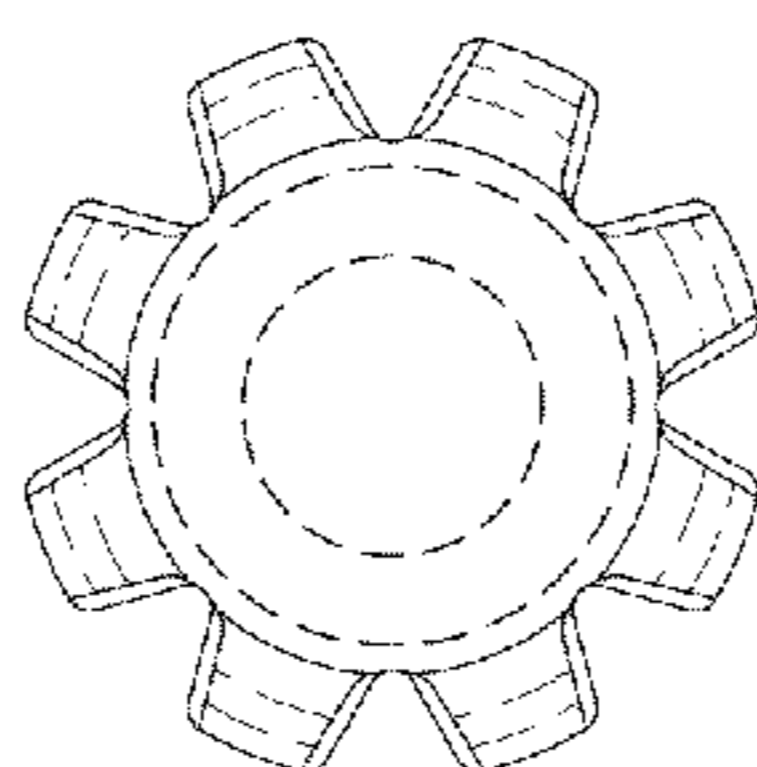


Fig. 5

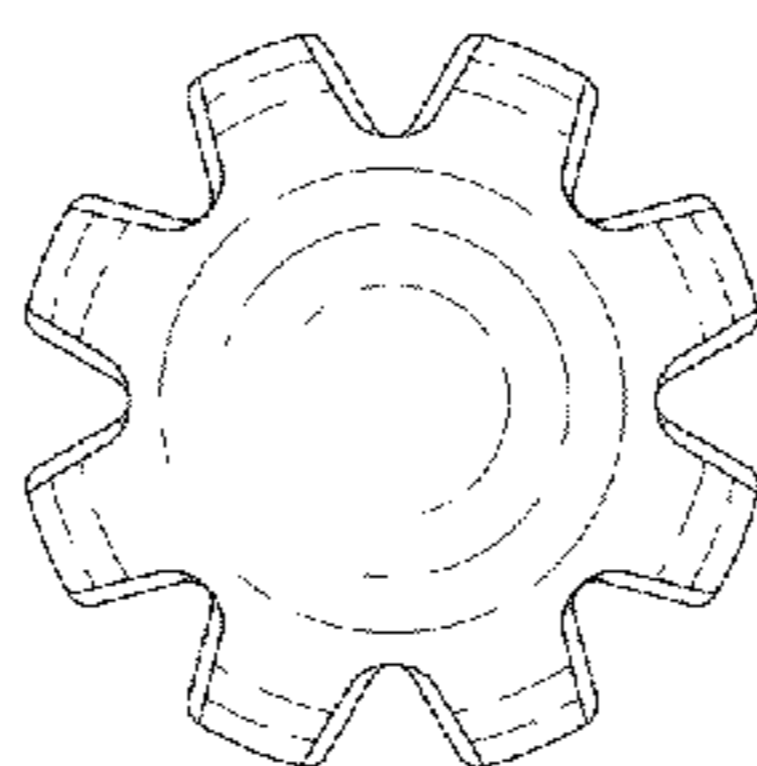


Fig. 4

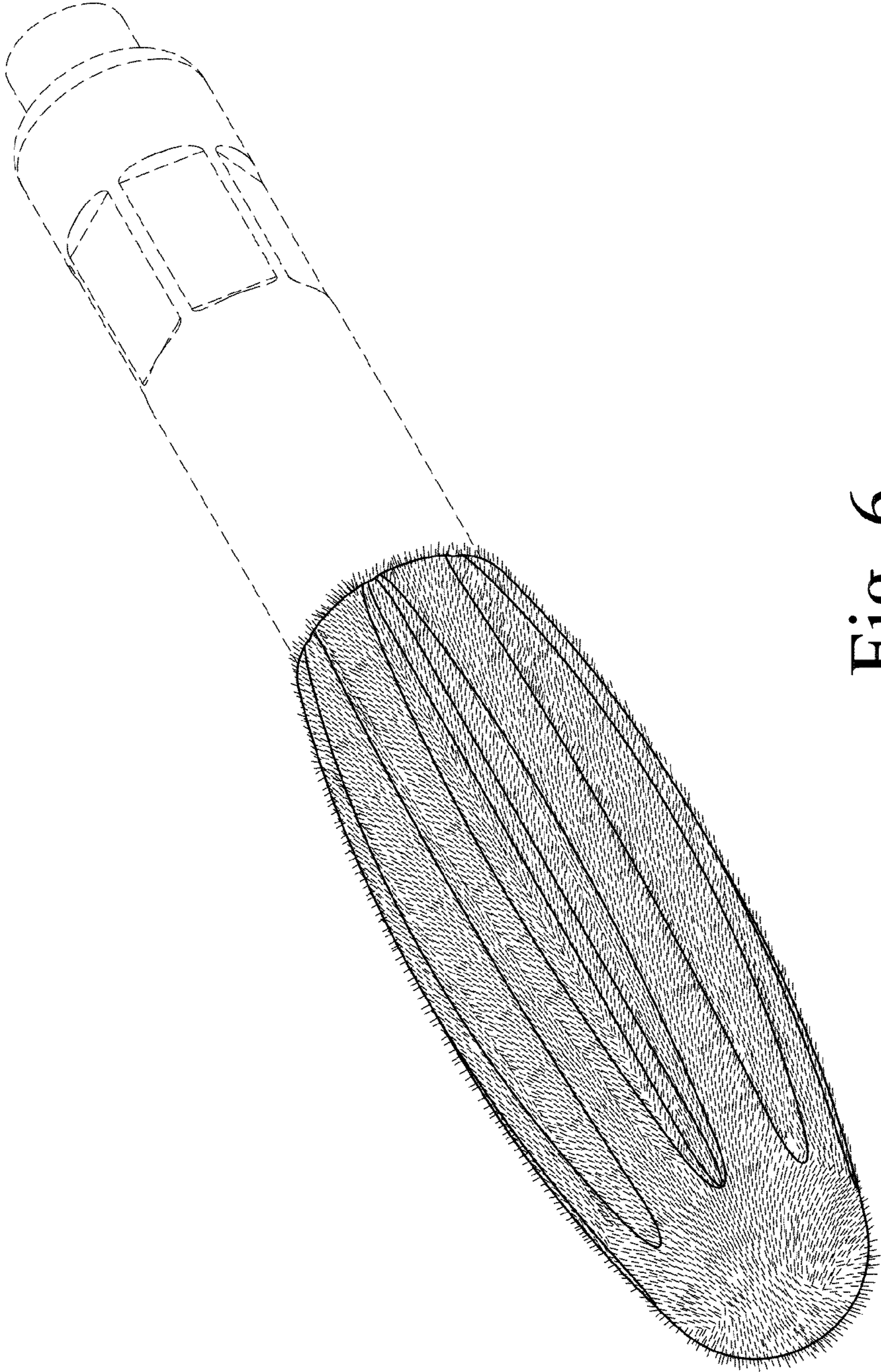


Fig. 6

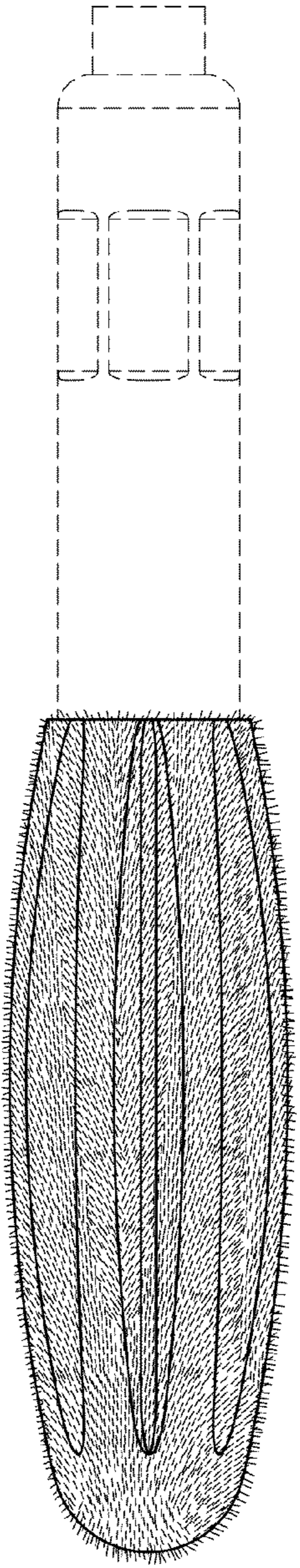


Fig. 7

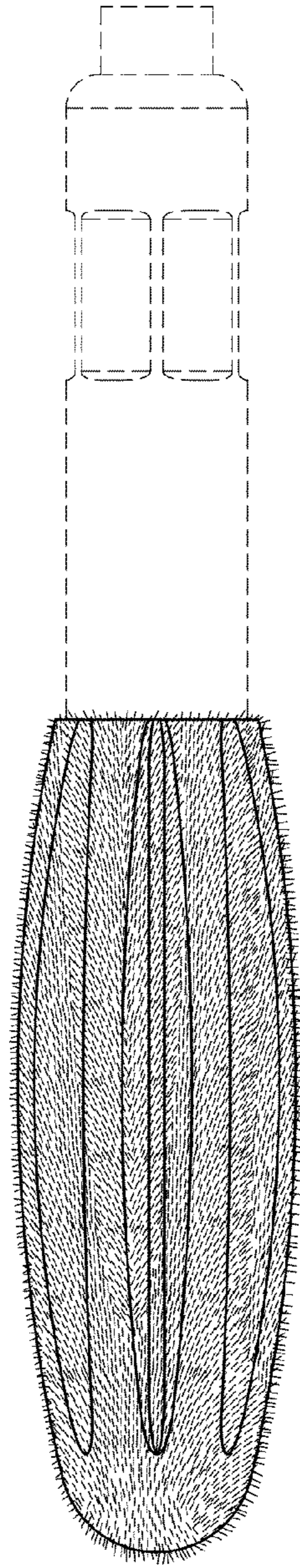


Fig. 8

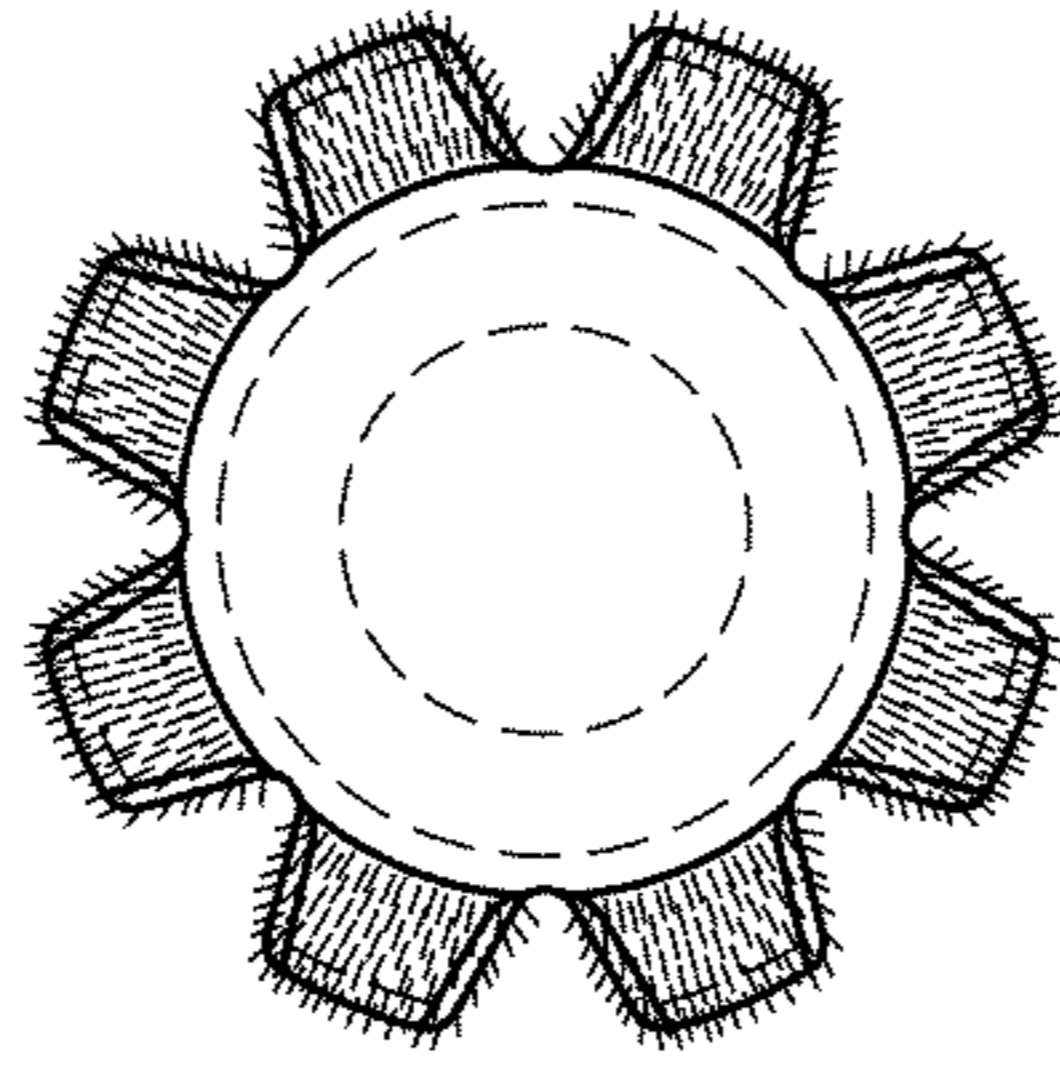


Fig. 10

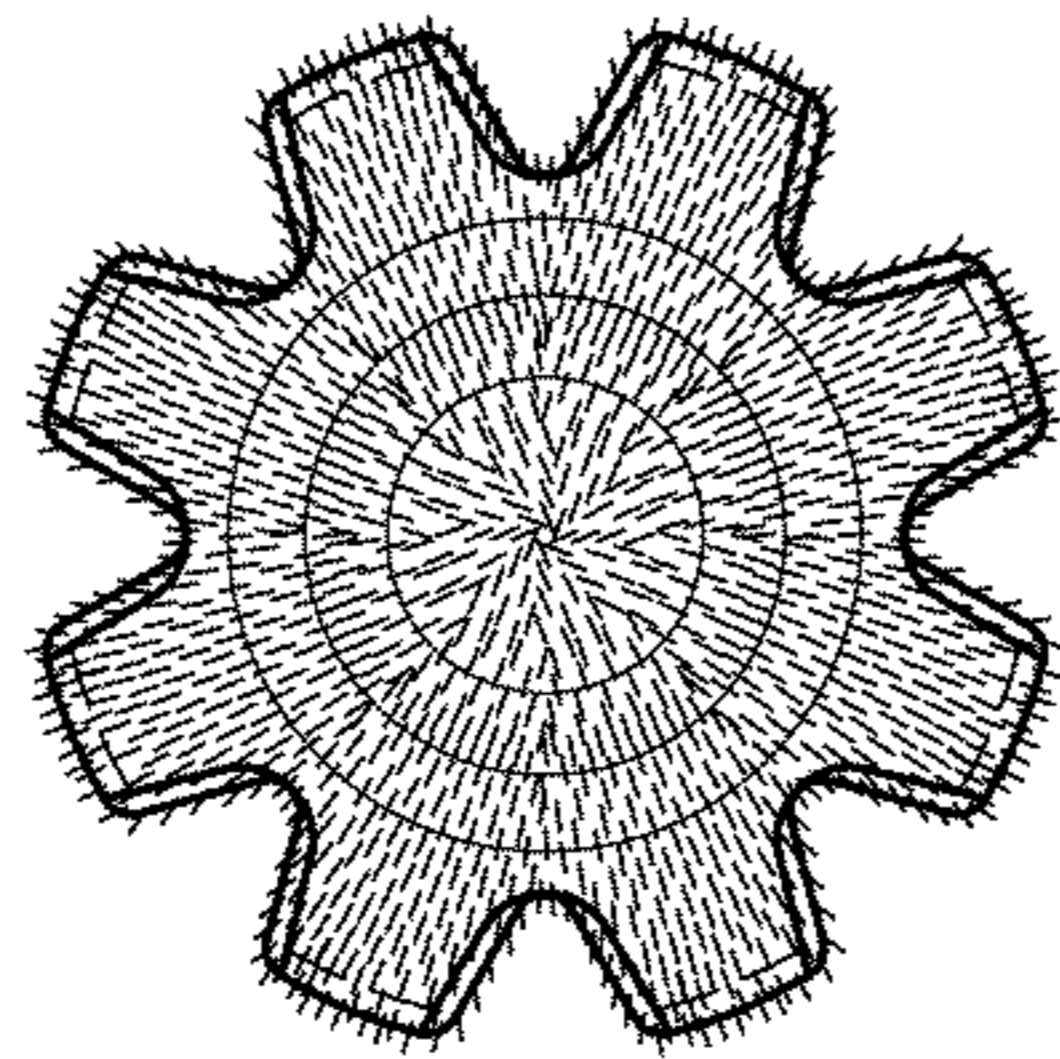


Fig. 9