



US00D688001S

(12) **United States Design Patent**  
**Mantle**

(10) **Patent No.:** **US D688,001 S**  
(45) **Date of Patent:** **\*\* Aug. 13, 2013**

(54) **COSMETIC APPLICATOR TIP**

**DESCRIPTION**

(76) Inventor: **Jacqueline Clare Mantle, Poole (GB)**  
(\*\*) Term: **14 Years**  
(21) Appl. No.: **29/420,072**  
(22) Filed: **May 4, 2012**  
(51) **LOC (9) Cl.** ..... **28-02**  
(52) **U.S. Cl.**  
USPC ..... **D28/7**  
(58) **Field of Classification Search**  
USPC ..... D28/7, 8, 20-22, 30-31, 76, 85,  
D28/99; 132/108, 202, 208, 317.32;  
401/202-207, 261-267; D4/132-135;  
D24/119  
See application file for complete search history.

(56) **References Cited**

**U.S. PATENT DOCUMENTS**

D315,792 S *	3/1991	Kachigian	.....	D24/147
D443,930 S *	6/2001	Nesteborg	.....	D24/141
D456,078 S *	4/2002	Peterson et al.	.....	D24/152
D462,444 S *	9/2002	Maissami	.....	D24/152
D669,981 S *	10/2012	Ruiz et al.	.....	D24/133

\* cited by examiner

*Primary Examiner* — Zenia Bennett

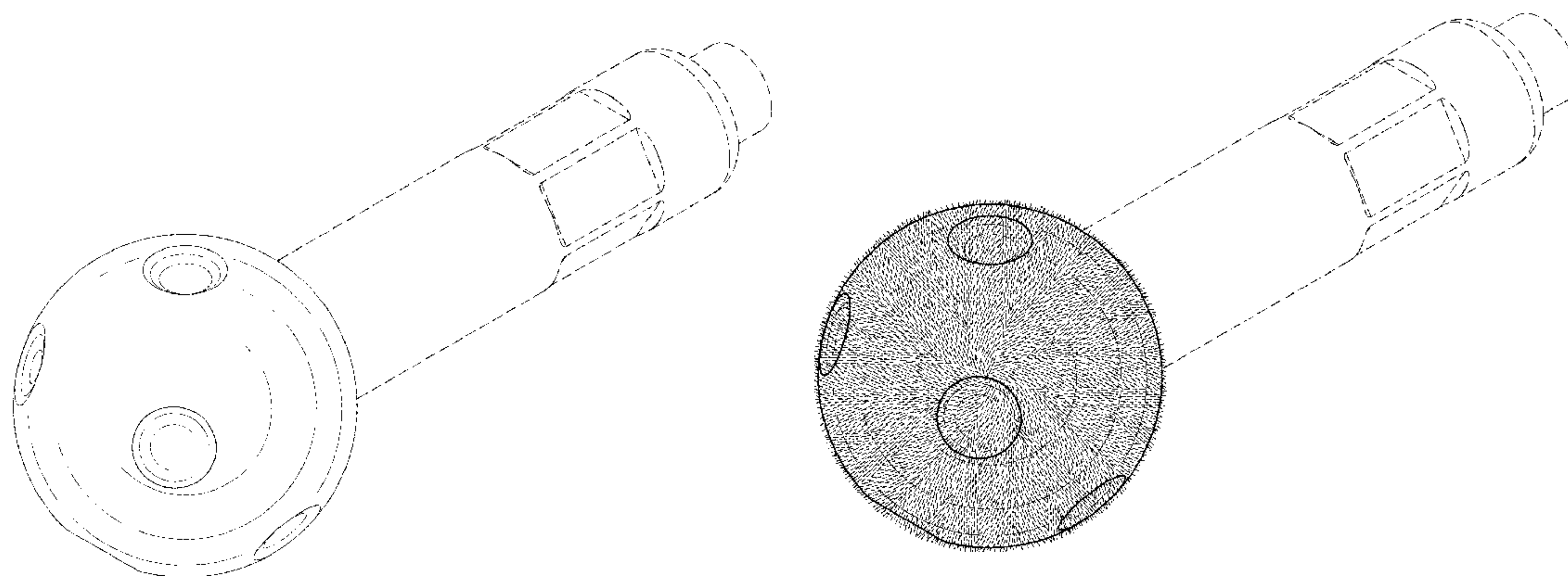
(74) *Attorney, Agent, or Firm* — Jonathan Ko

(57) **CLAIM**

The ornamental design for of the cosmetic applicator tip, as shown and described.

FIG. 1 is a perspective view of the cosmetic applicator tip before finished by the addition of flocking.  
FIG. 2 is a top view of the cosmetic applicator tip before finished by the addition of flocking.  
FIG. 3 is a left side view of the cosmetic applicator tip before finished by the addition of flocking.  
FIG. 4 is a bottom view of the cosmetic applicator tip before finished by the addition of flocking.  
FIG. 5 is a right side view of the cosmetic applicator tip before finished by the addition of flocking.  
FIG. 6 is a front view of the cosmetic applicator tip before finished by the addition of flocking.  
FIG. 7 is a rear view of the cosmetic applicator tip before finished by the addition of flocking.  
FIG. 8 is a perspective view of the cosmetic applicator tip after finished by the addition of flocking.  
FIG. 9 is a top view of the cosmetic applicator tip after finished by the addition of flocking.  
FIG. 10 is a top view of the cosmetic applicator tip after finished by the addition of flocking.  
FIG. 11 is a bottom view of the cosmetic applicator tip after finished by the addition of flocking.  
FIG. 12 is a right view of the cosmetic applicator tip after finished by the addition of flocking.  
FIG. 13 is a front view of the cosmetic applicator tip after finished by the addition of flocking; and,  
FIG. 14 is a rear view of the cosmetic applicator tip after finished by the addition of flocking.

**1 Claim, 8 Drawing Sheets**



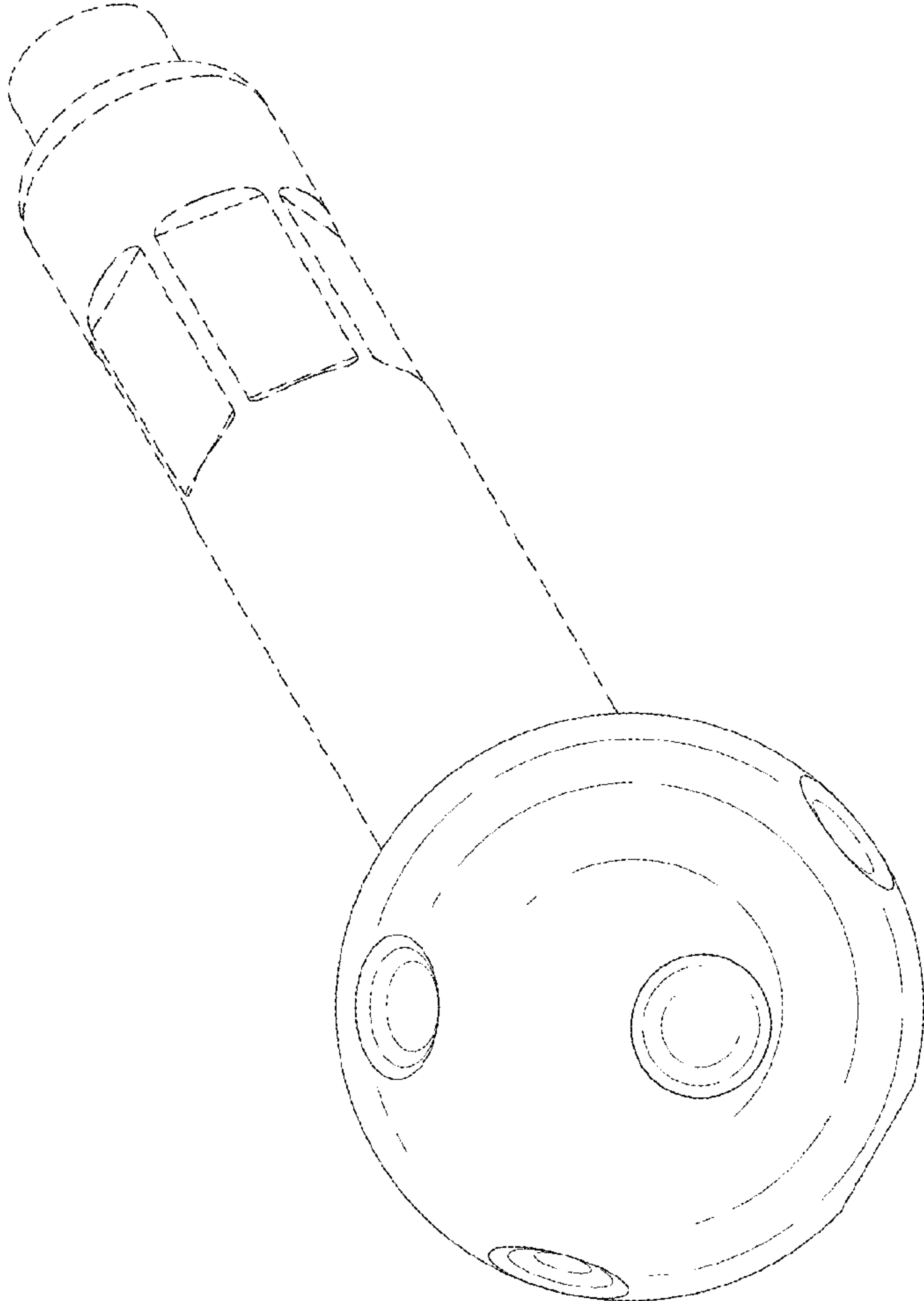


Fig. 1

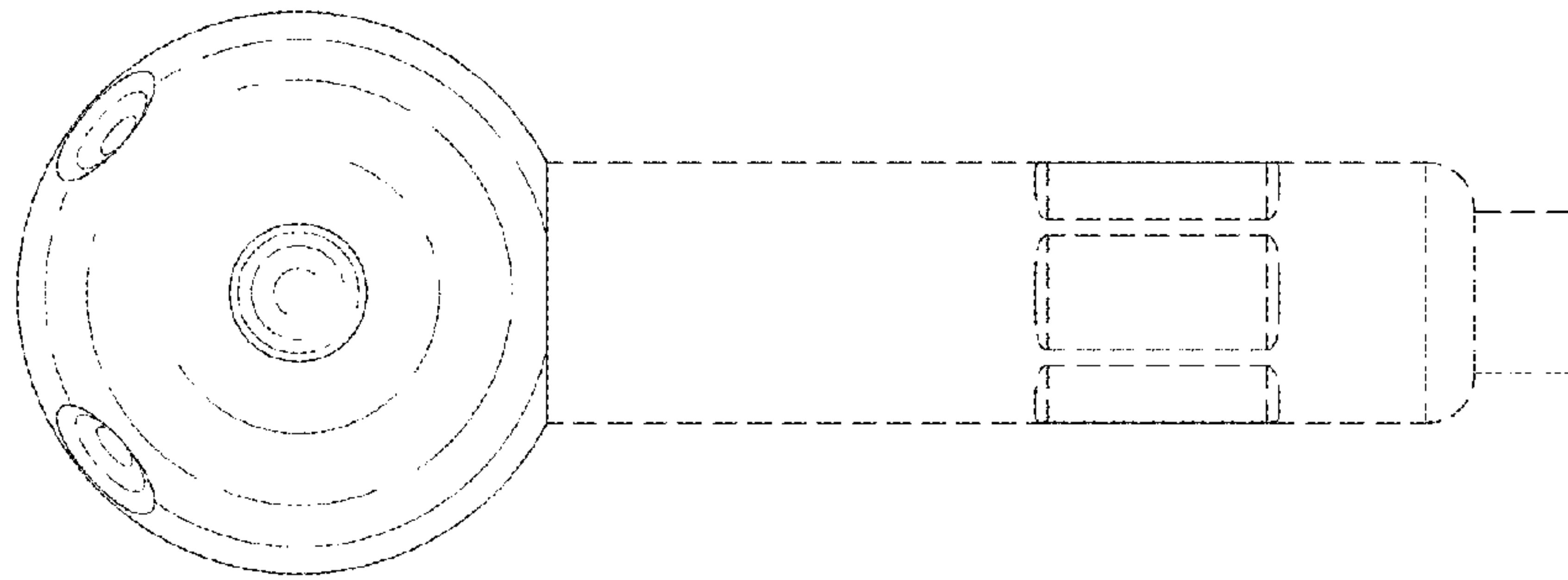


Fig. 2

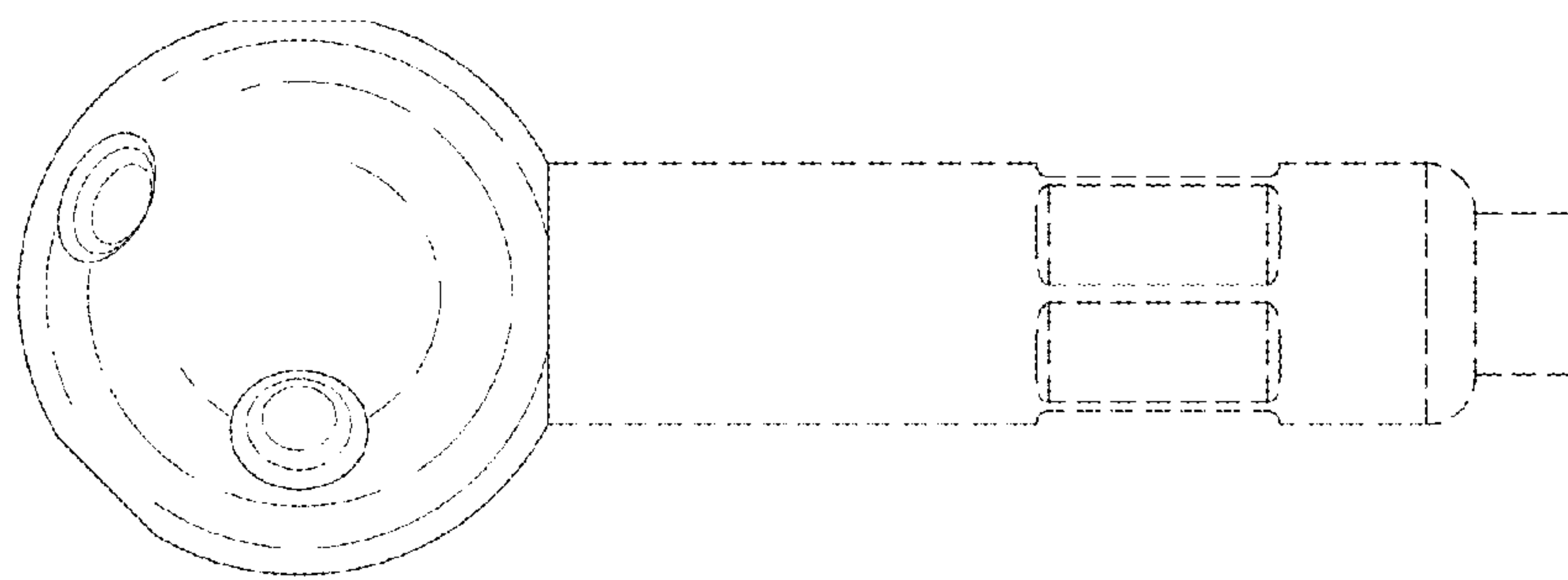


Fig. 3

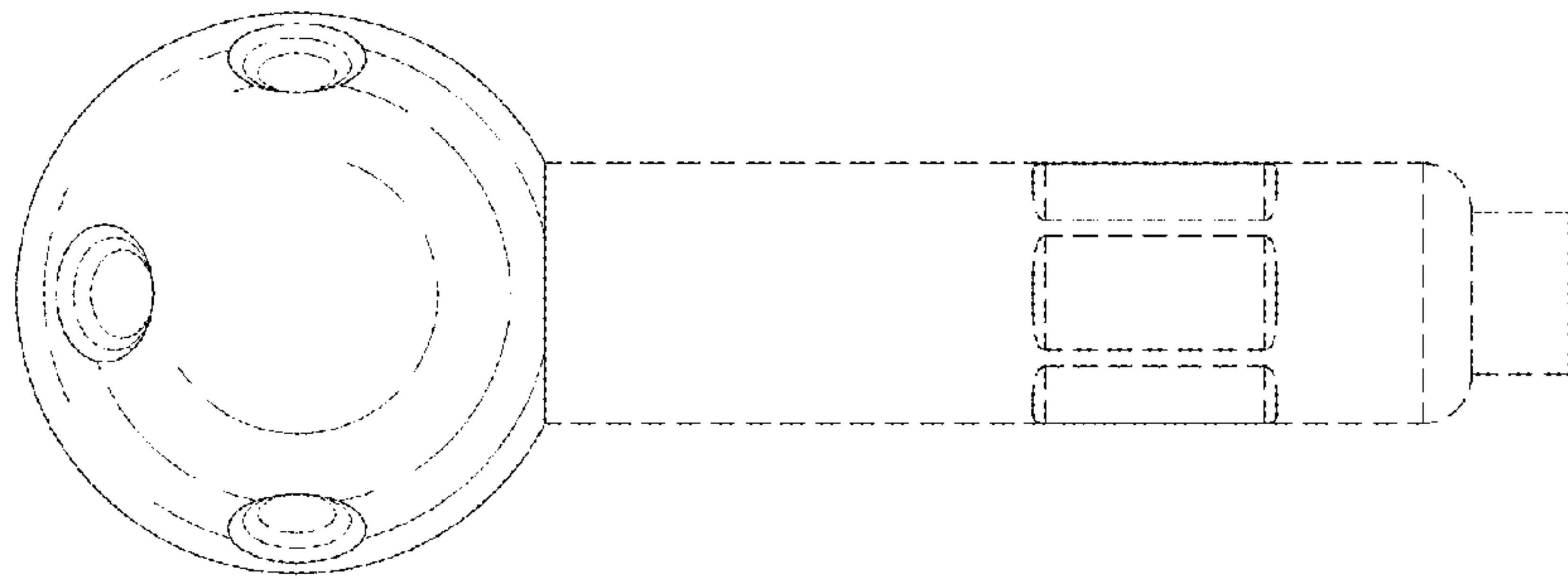


Fig. 4

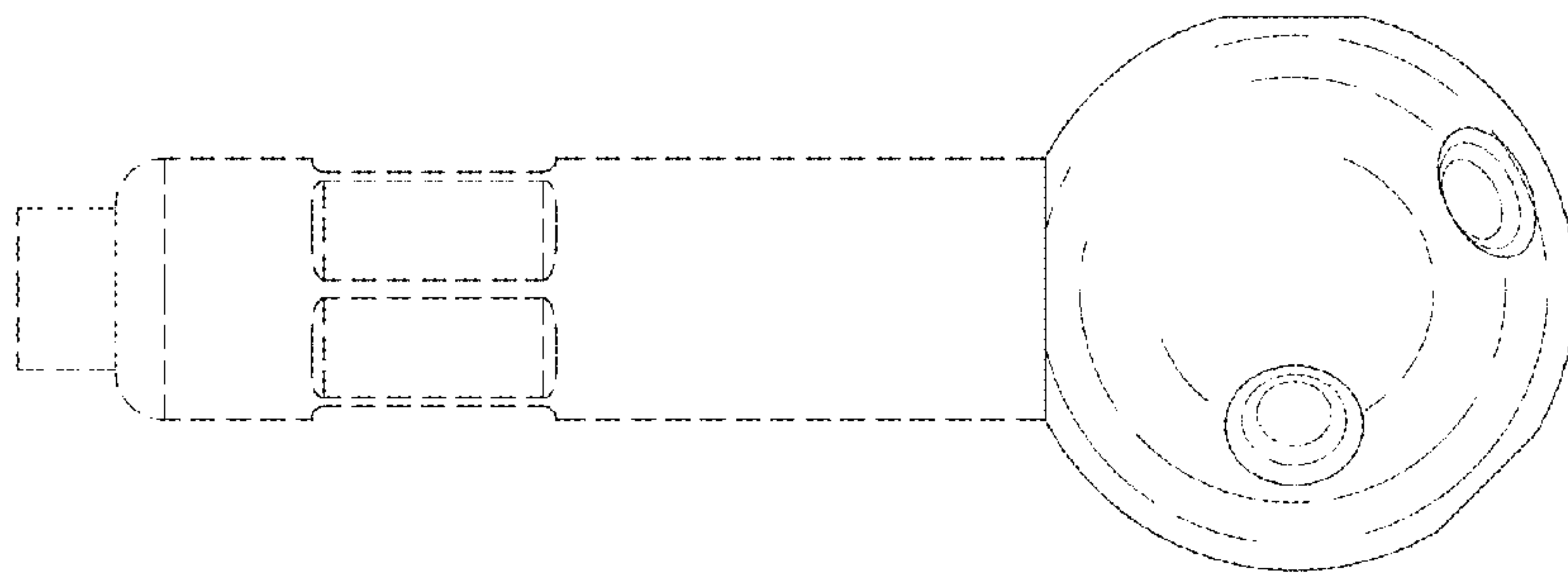


Fig. 5

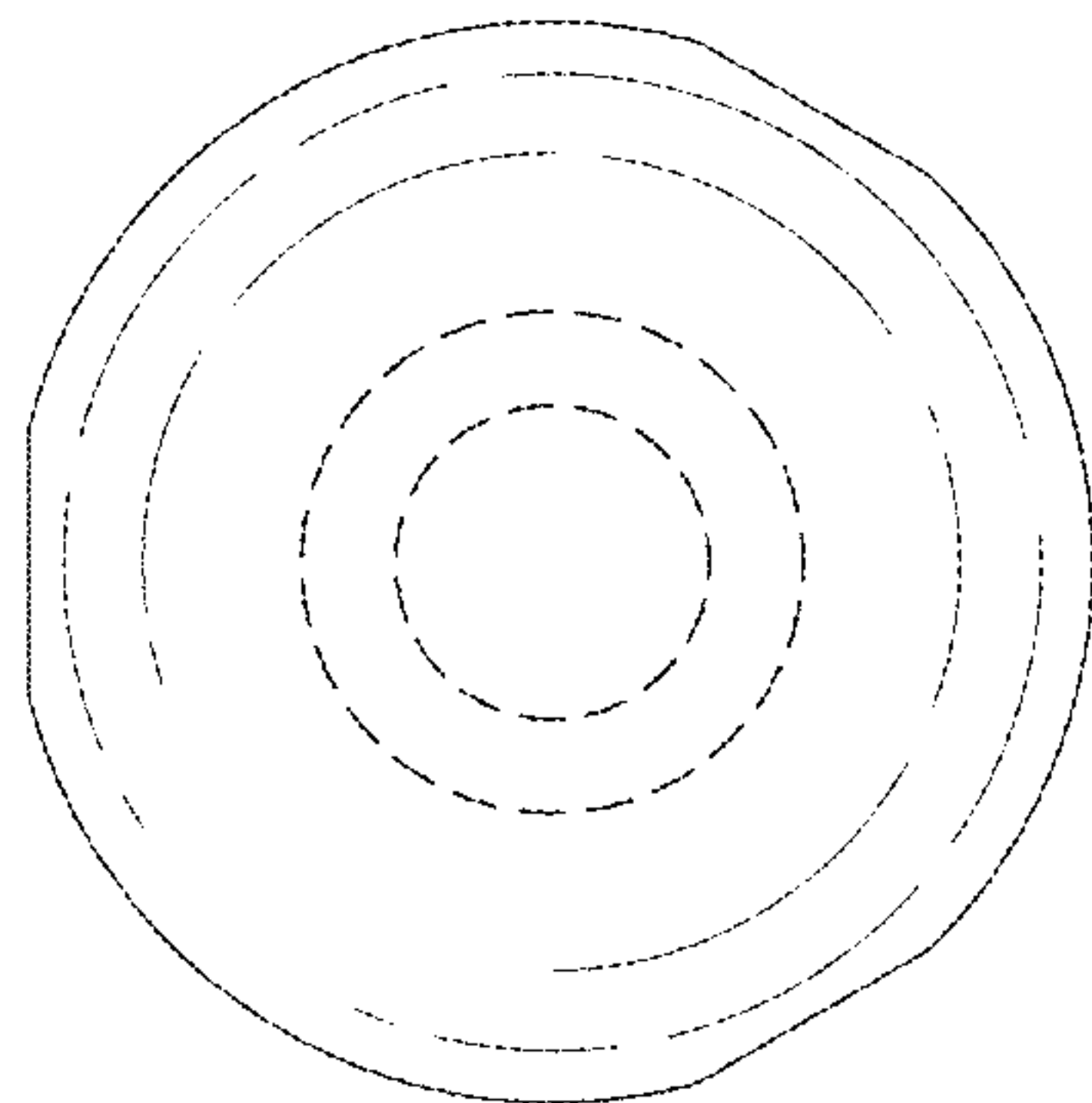


Fig. 6

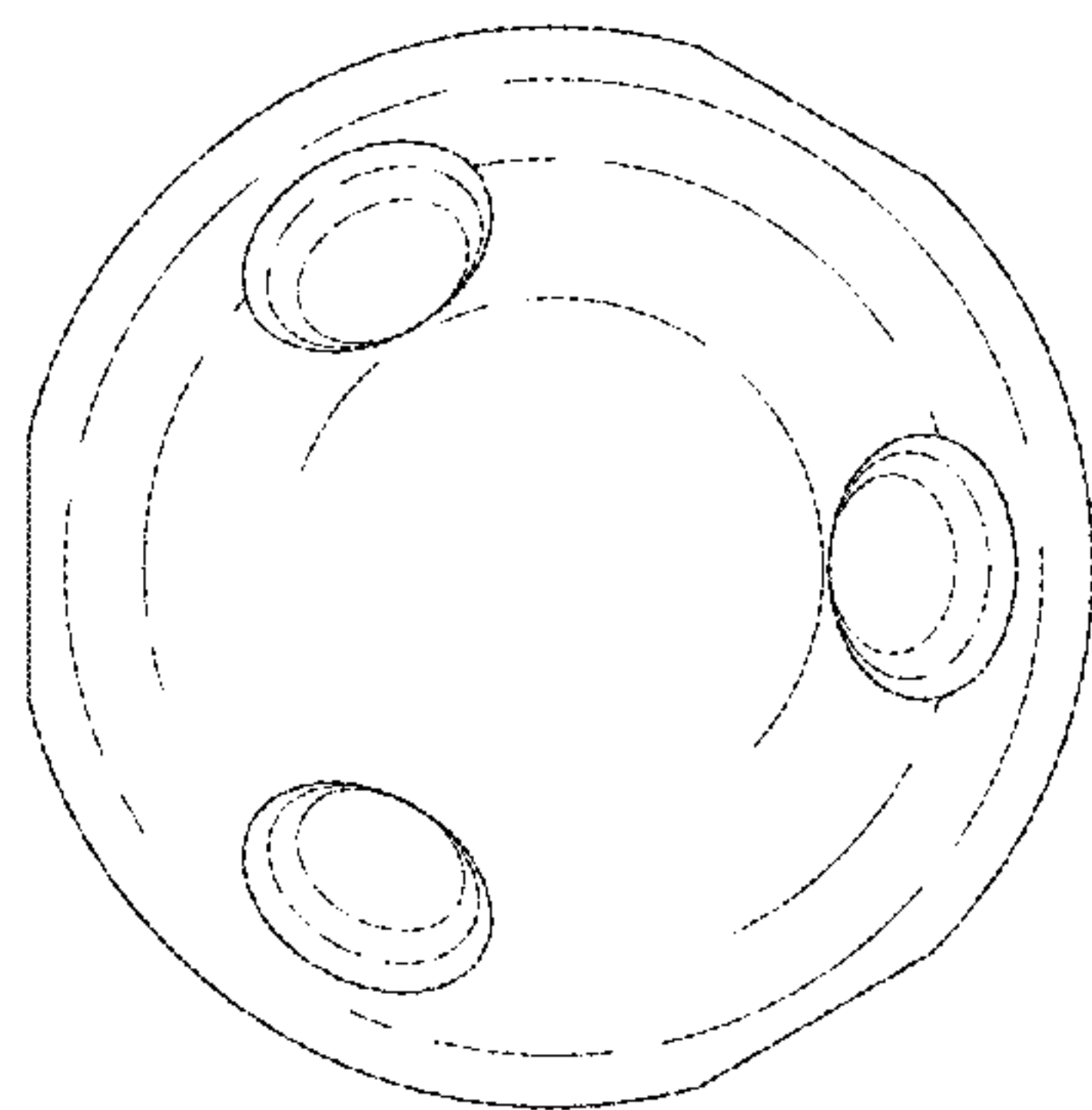


Fig. 7



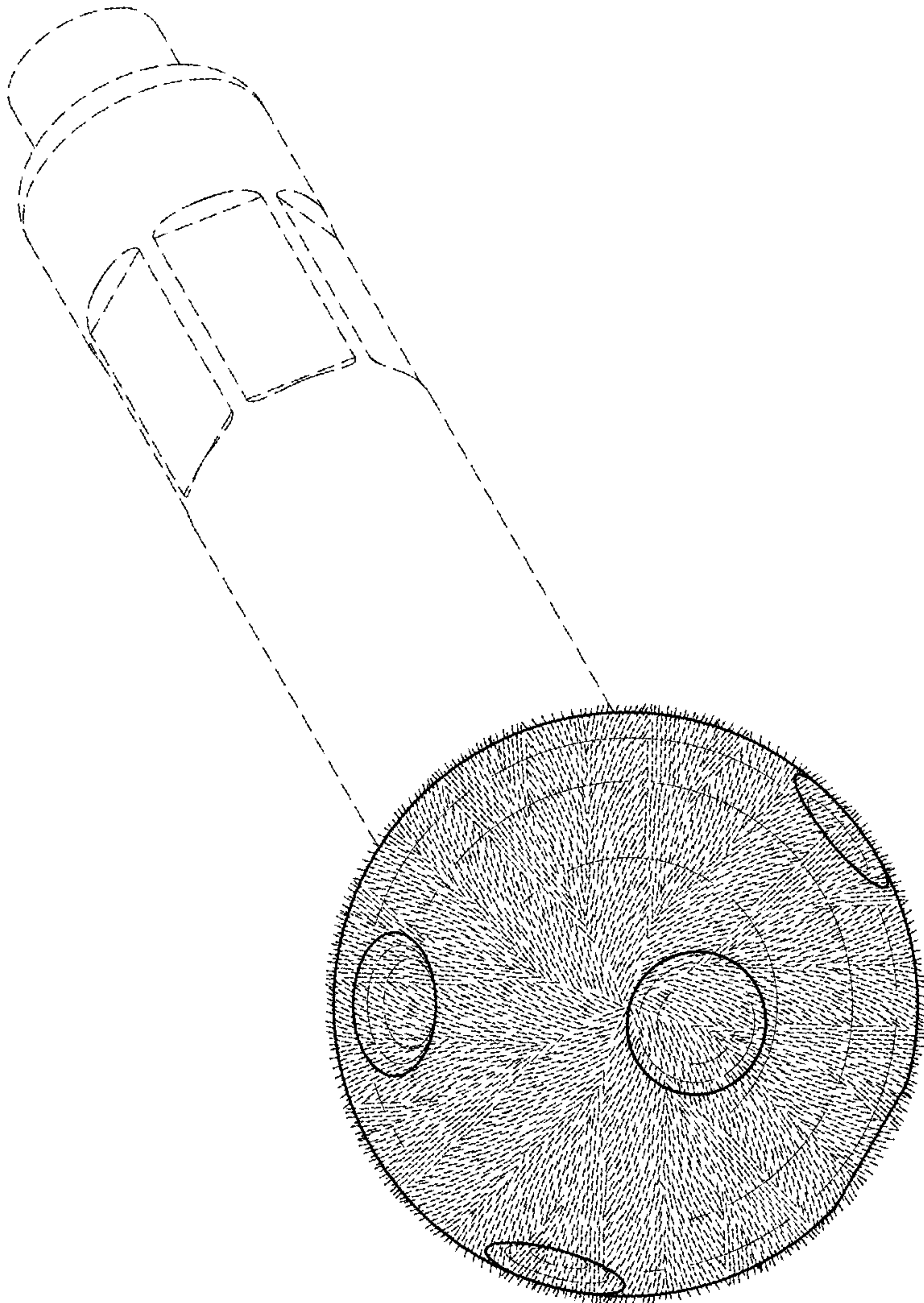


Fig. 8

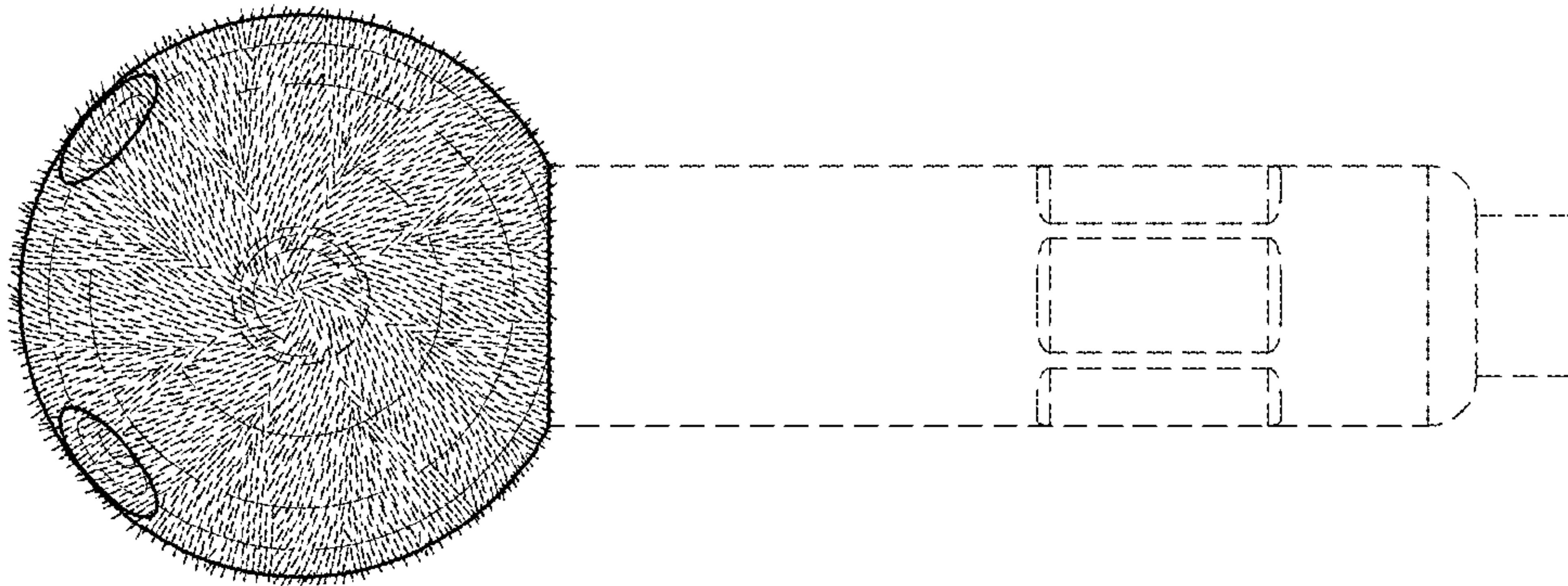


Fig. 9

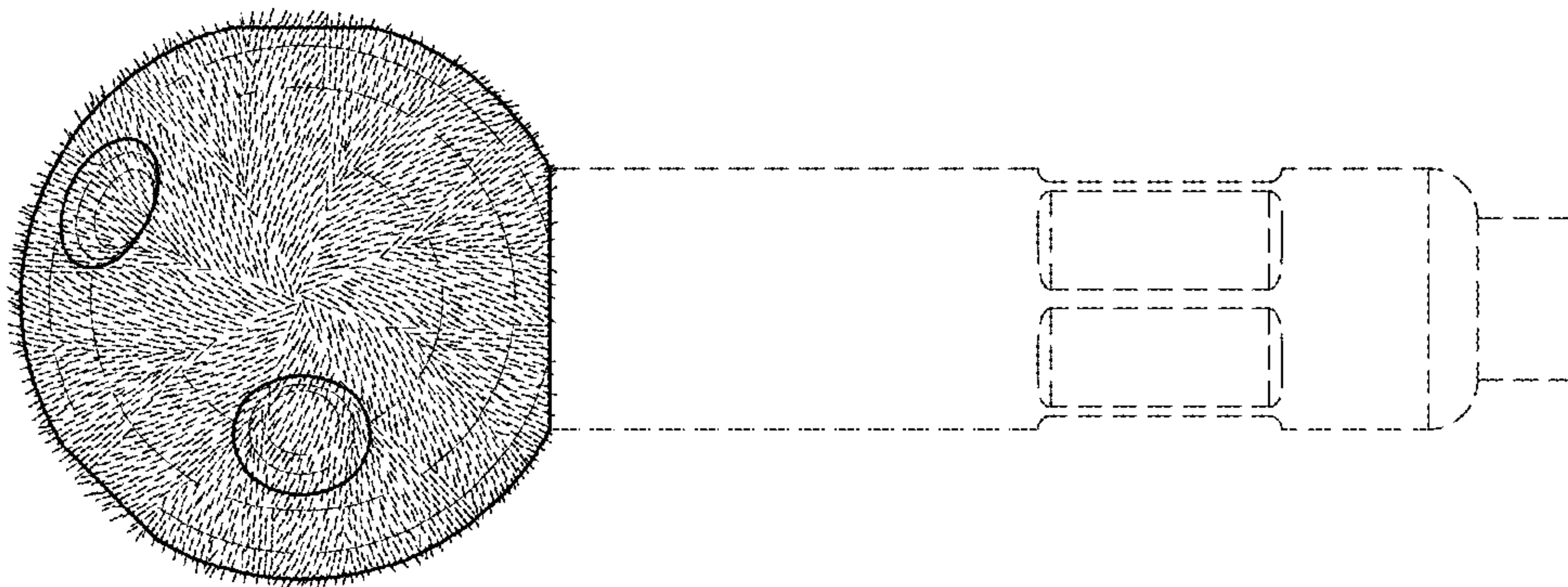


Fig. 10

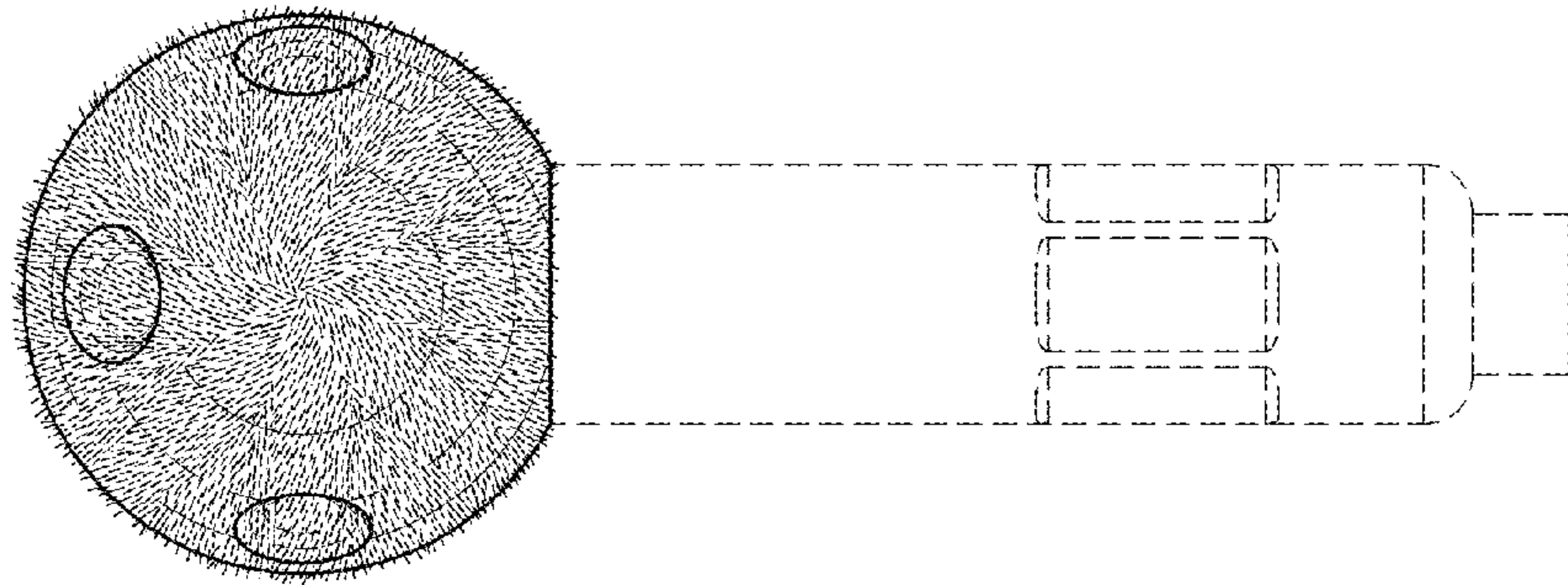


Fig. 11

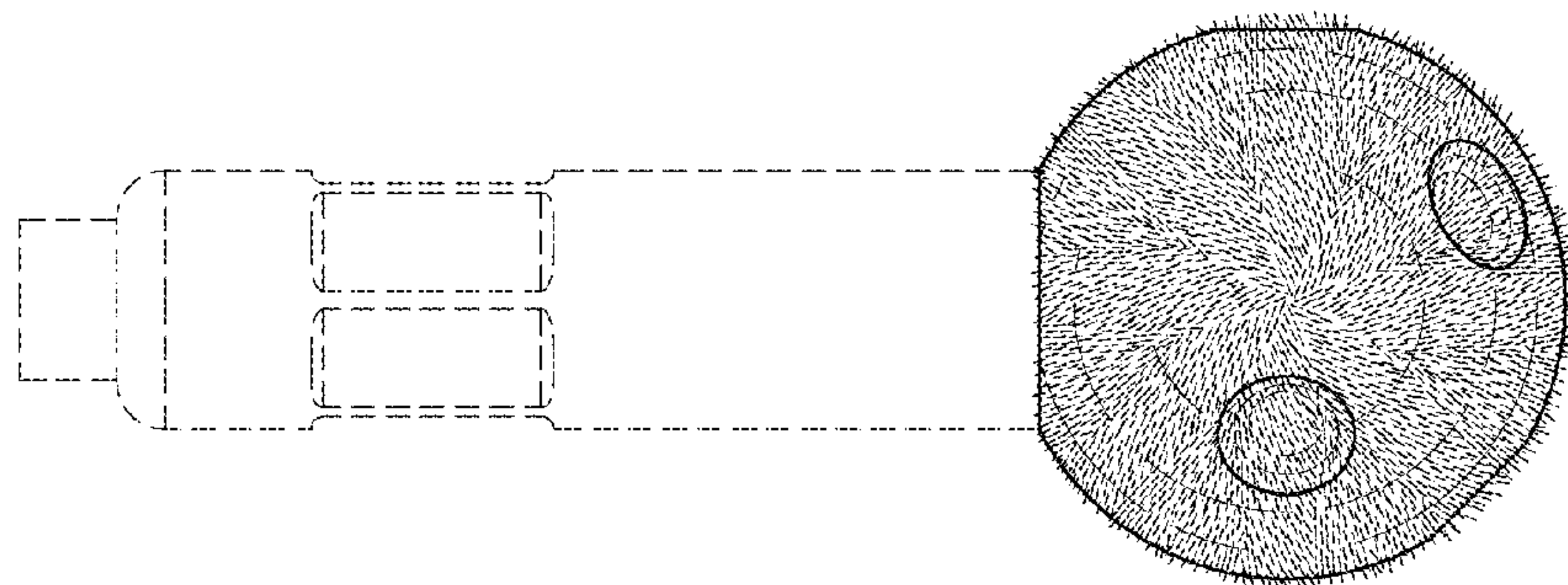


Fig. 12



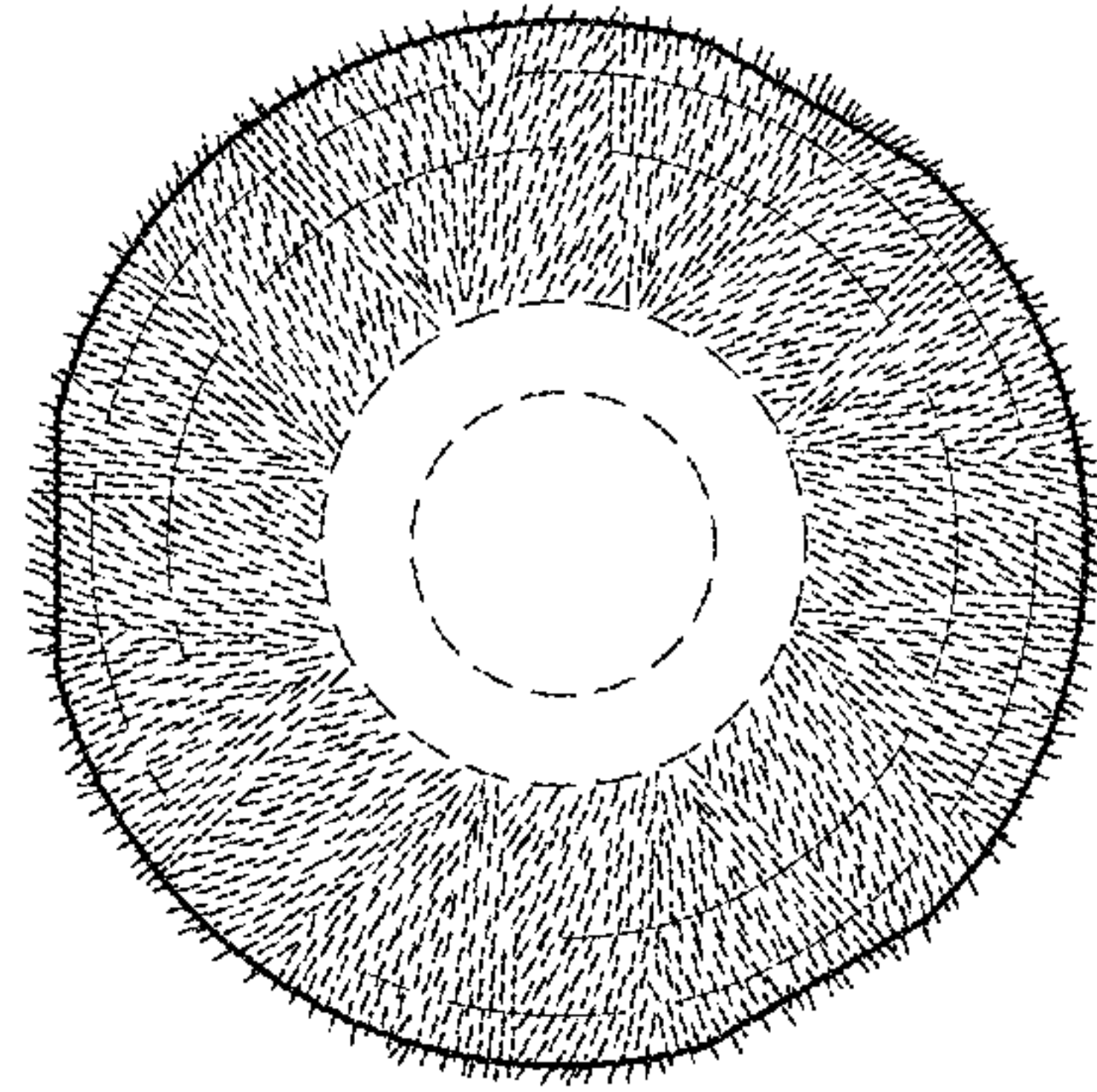


Fig. 14

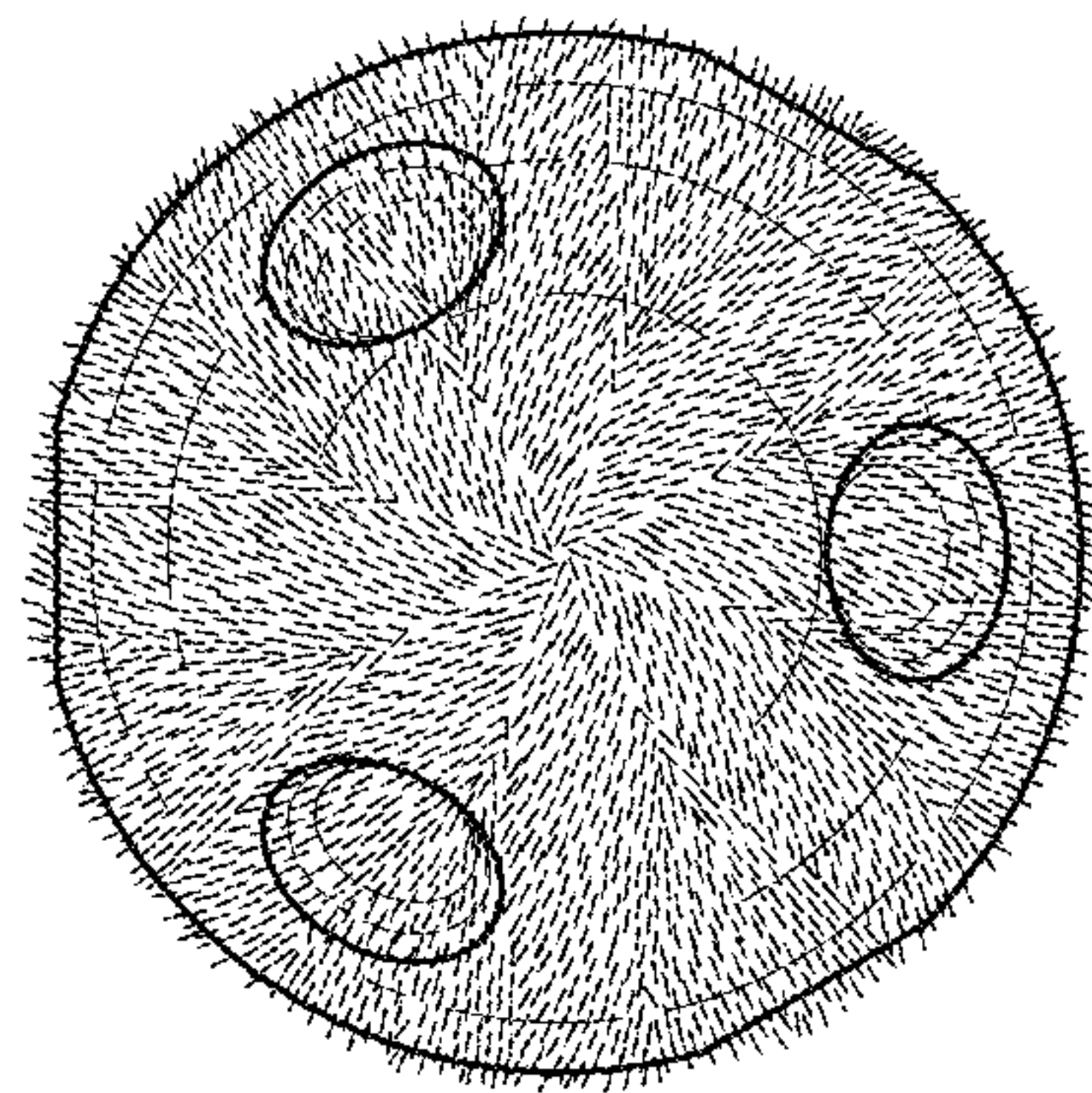


Fig. 13