



US00D687998S

(12) **United States Design Patent**  
**Maxik et al.**

(10) **Patent No.:** **US D687,998 S**

(45) **Date of Patent:** **\*\* Aug. 13, 2013**

(54) **ROADWAY LAMP**

(76) Inventors: **Fredric S. Maxik**, Indialantic, FL (US);  
**Addy S. Widjaja**, Palm Bay, FL (US);  
**Mark Andrew Oostdyk**, Cape  
Canaveral, FL (US); **Ran Zhou**,  
Melbourne, FL (US); **Robert R. Soler**,  
Cocoa Beach, FL (US); **David E.**  
**Bartine**, Cocoa, FL (US)

(\*\*) Term: **14 Years**

(21) Appl. No.: **29/419,297**

(22) Filed: **Apr. 26, 2012**

(51) **LOC (9) Cl.** ..... **26-03**

(52) **U.S. Cl.**  
USPC ..... **D26/71**

(58) **Field of Classification Search**  
USPC ..... D26/67-71, 92; 362/249.01-249.06,  
362/294, 373, 431  
See application file for complete search history.

(56) **References Cited**

**U.S. PATENT DOCUMENTS**

D171,952 S *	4/1954	Pettengill	.....	D26/71
2,916,609 A *	12/1959	Freier et al.	.....	362/374
7,420,811 B2 *	9/2008	Chan	.....	362/373
D635,289 S *	3/2011	Kong et al.	.....	D26/71
D638,565 S *	5/2011	Bembridge	.....	D26/71
D645,190 S *	9/2011	Van Klinken et al.	.....	D26/71
D645,601 S *	9/2011	Bacon	.....	D26/71
D650,110 S *	12/2011	Zhu	.....	D26/71
D660,495 S *	5/2012	Walker et al.	.....	D26/71

\* cited by examiner

*Primary Examiner* — Clare E Heflin

(74) *Attorney, Agent, or Firm* — Mark R. Malek; Zies  
Widerman & Malek

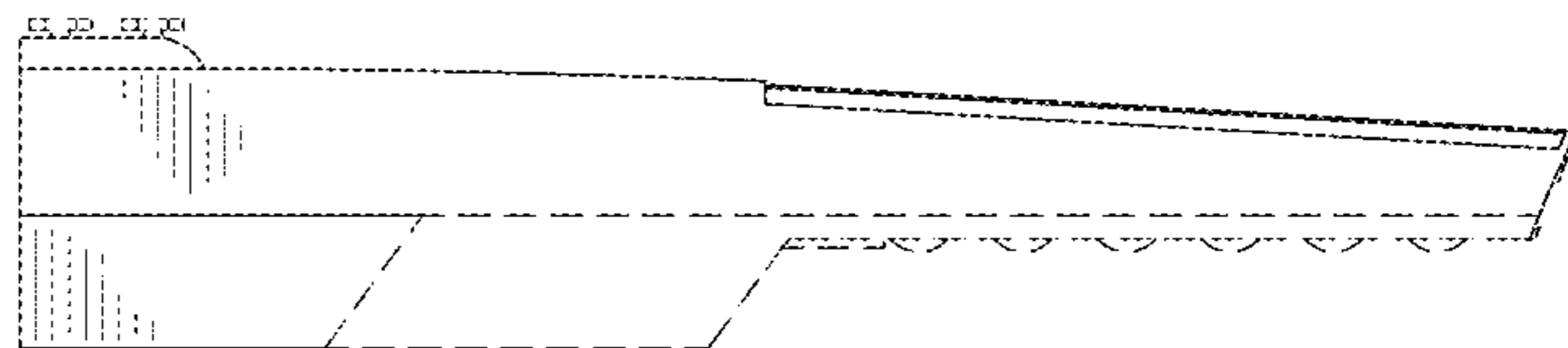
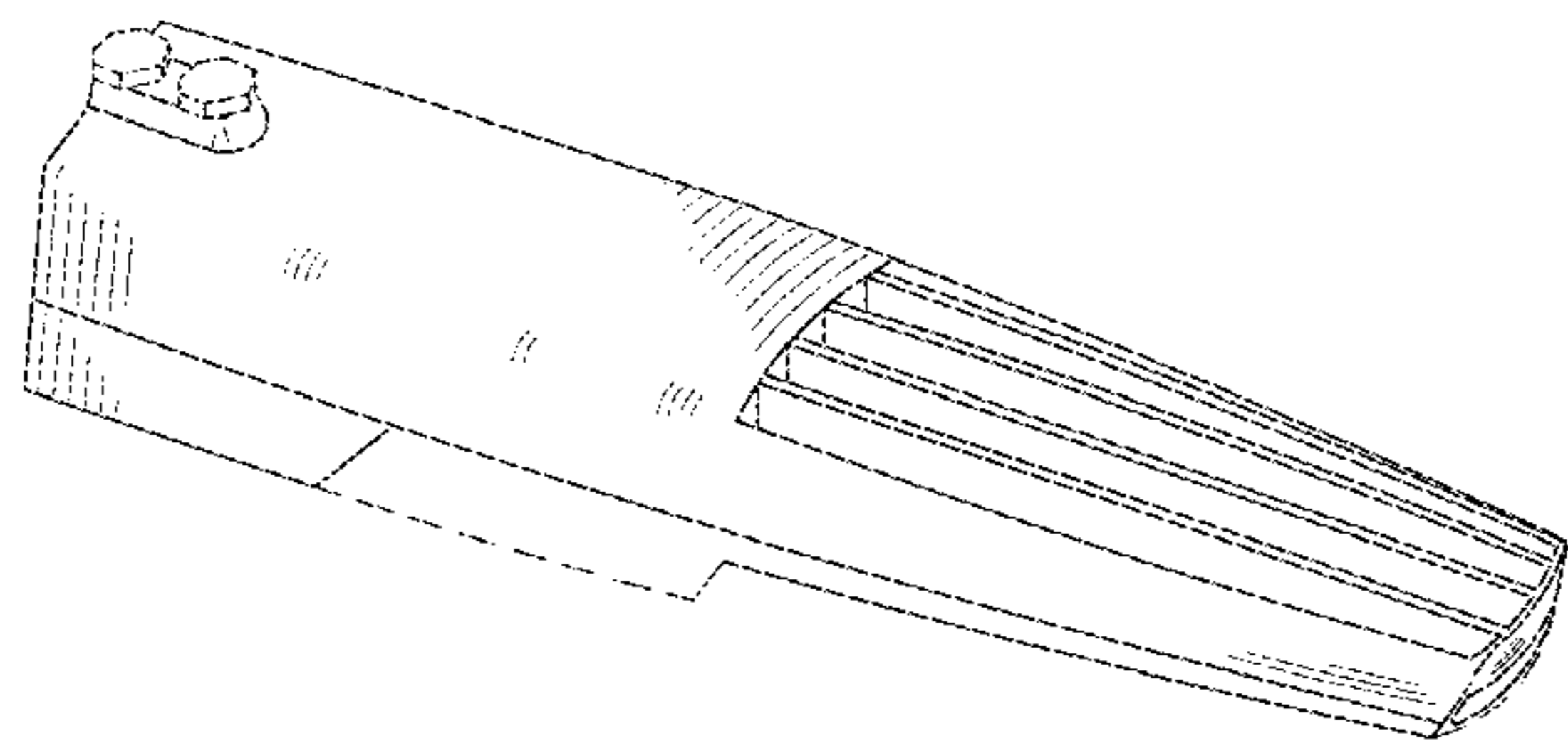
(57) **CLAIM**

The ornamental design for a roadway lamp, as shown and  
described.

**DESCRIPTION**

FIG. 1 is a perspective view of a roadway lamp having a heat  
sink according to the present invention.  
FIG. 2 is an exploded perspective view of the roadway lamp  
illustrated in FIG. 1.  
FIG. 3 is a top plan view of the roadway lamp illustrated in  
FIG. 1.  
FIG. 4 is a bottom plan view of the roadway lamp illustrated  
in FIG. 1.  
FIG. 5 is a left-side elevation view of the roadway lamp  
illustrated in FIG. 1.  
FIG. 6 is a right-side elevation view of the roadway lamp  
illustrated in FIG. 1.  
FIG. 7 is a front elevation view of the roadway lamp illus-  
trated in FIG. 1; and,  
FIG. 8 is a rear elevation view of the roadway lamp illustrated  
in FIG. 1.  
The broken lines illustrate elements that form no part of the  
claimed design.

**1 Claim, 4 Drawing Sheets**



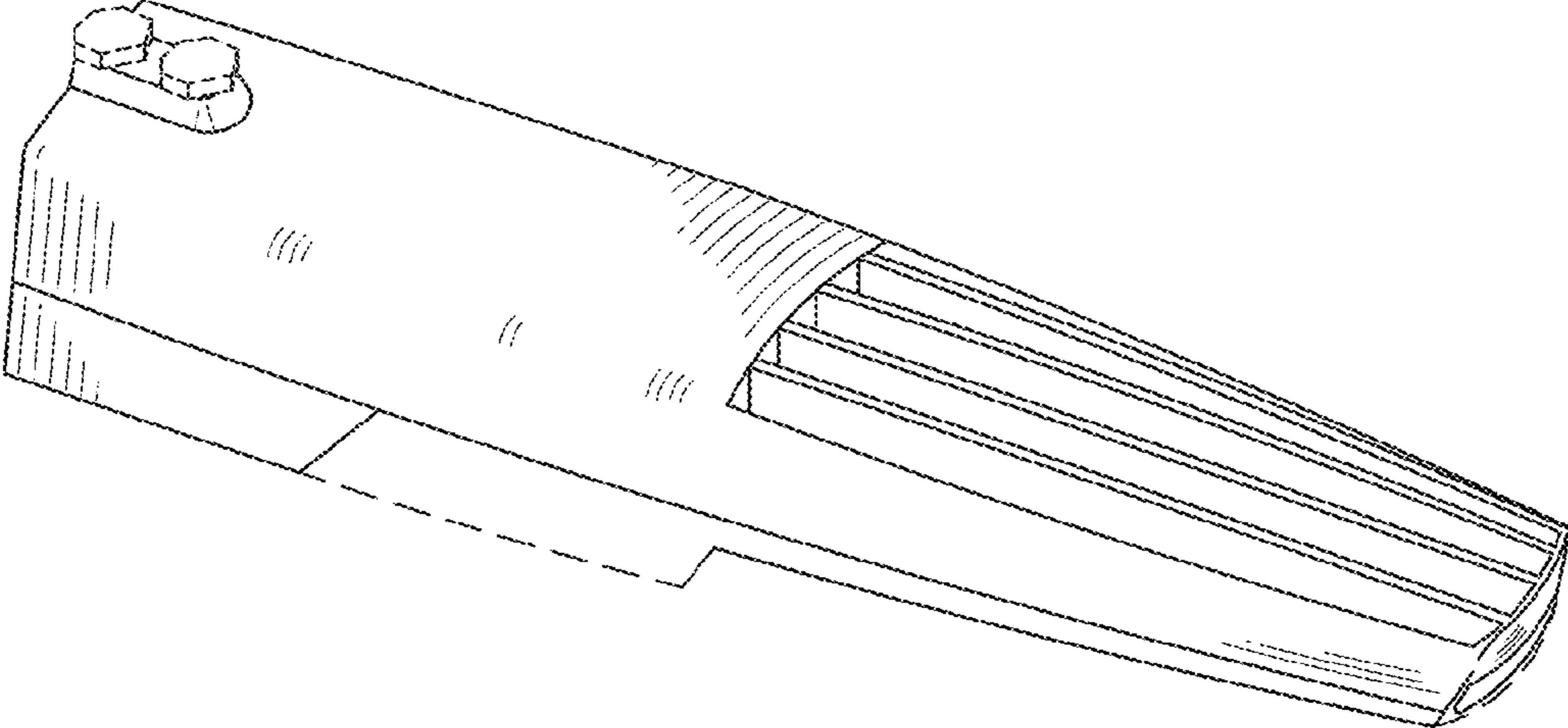


Fig. 1

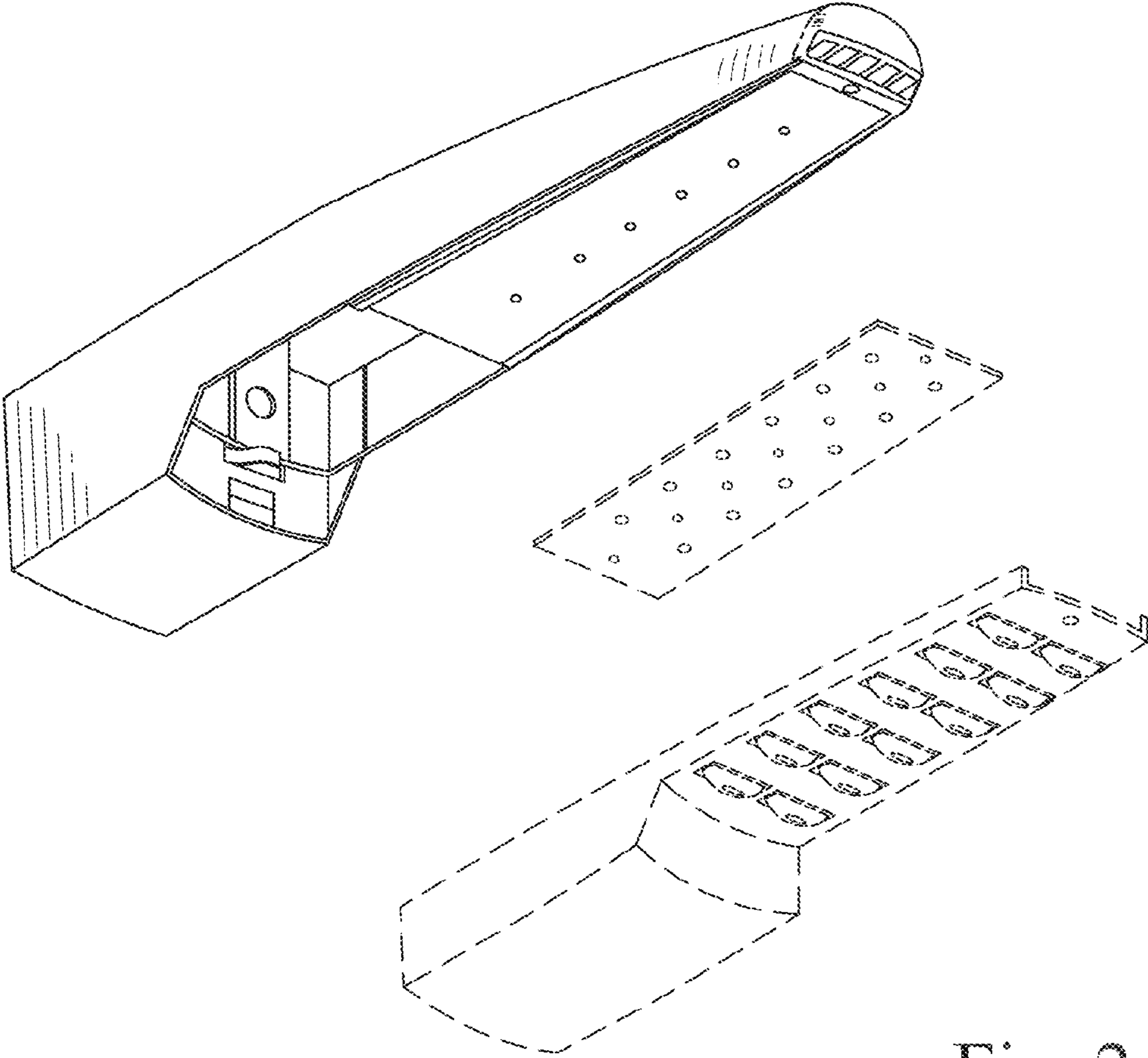


Fig. 2

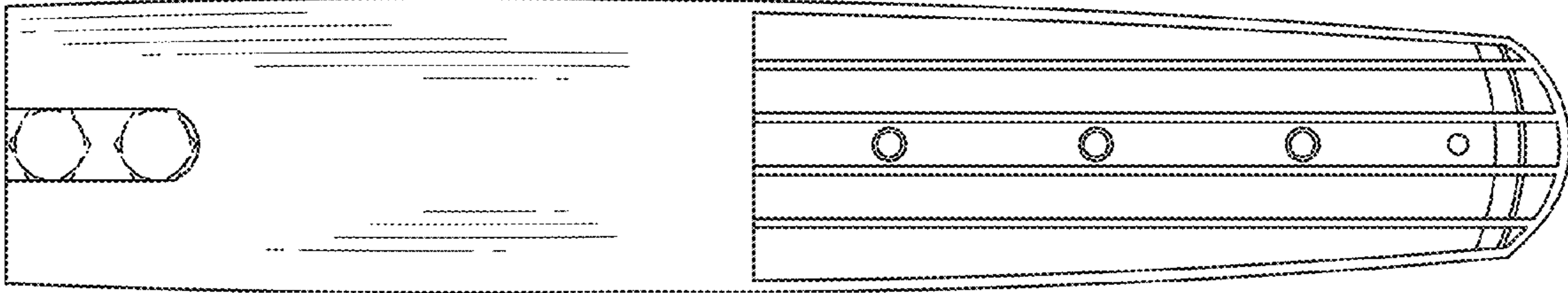


Fig. 3

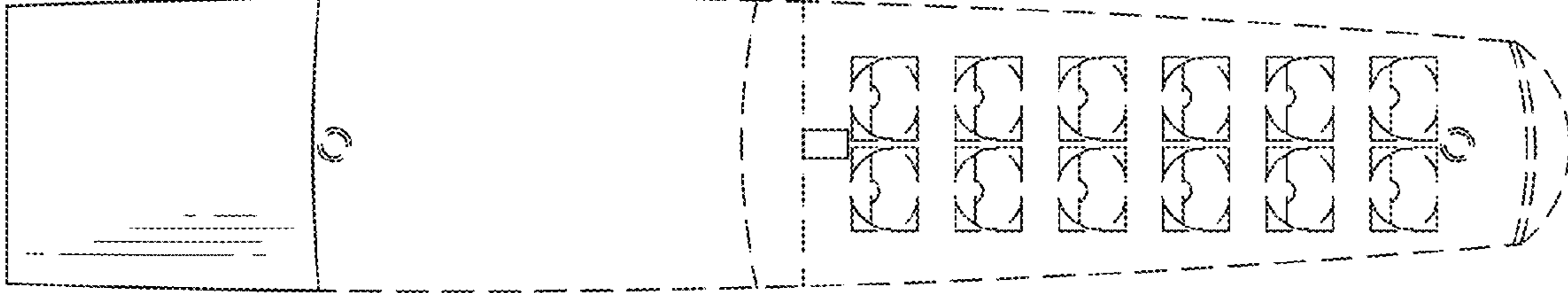


Fig. 4



Fig. 5



Fig. 6

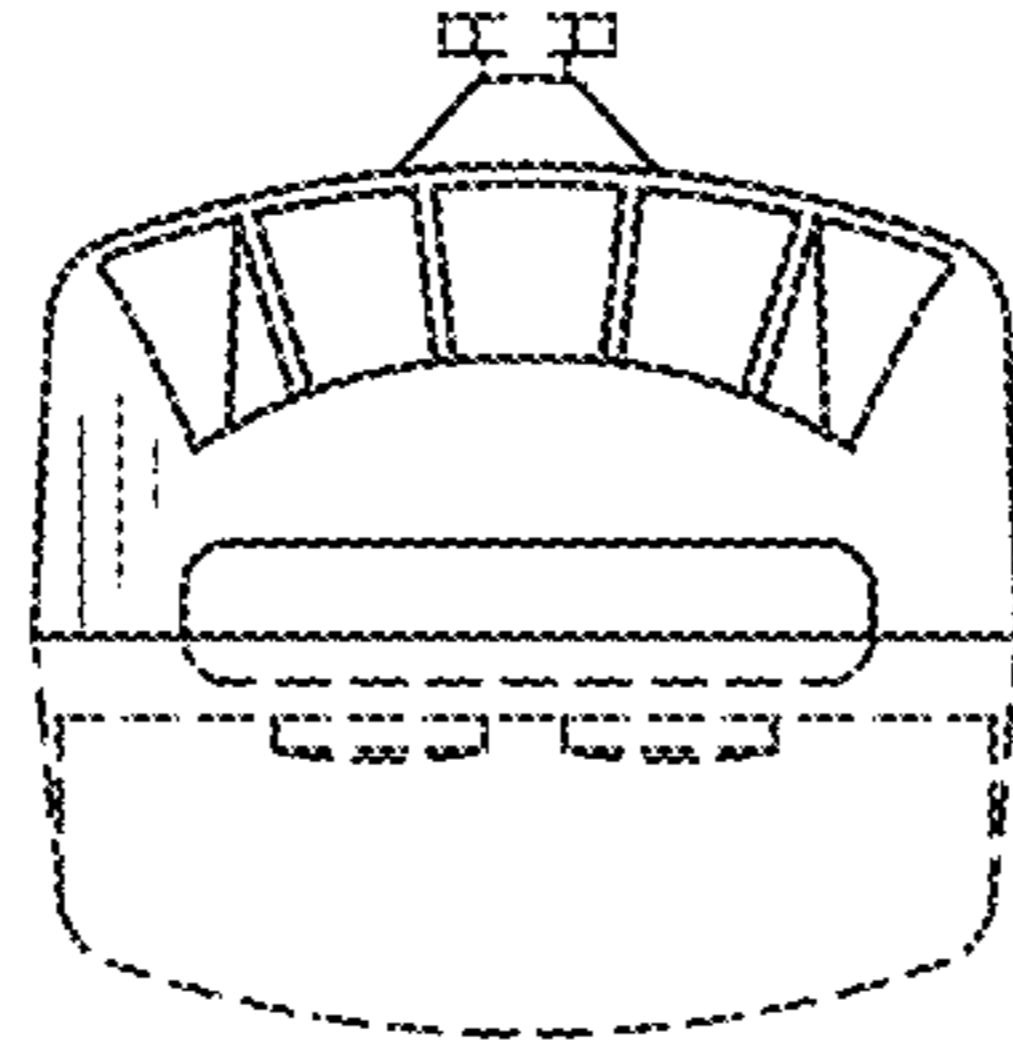


Fig. 7

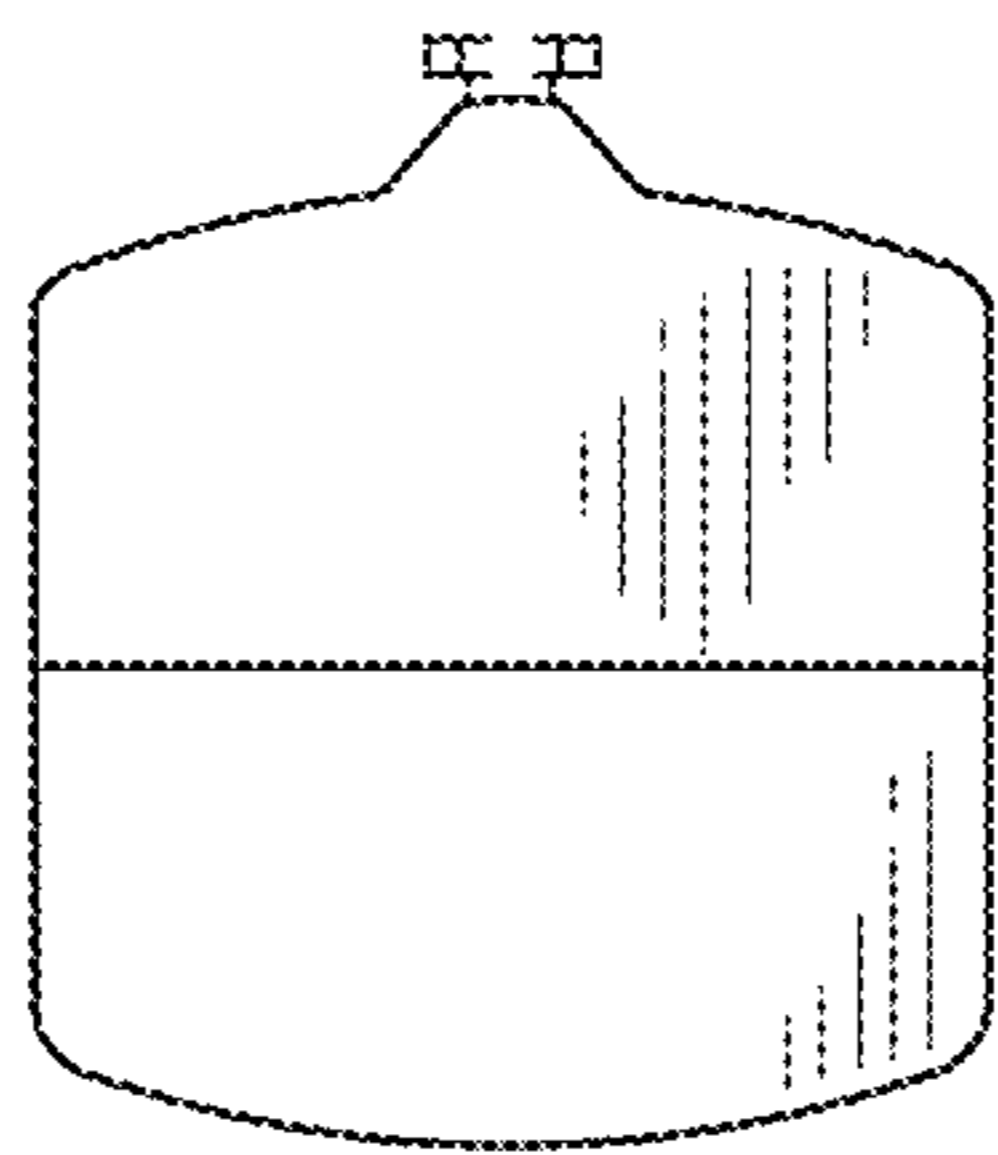


Fig. 8