



US00D687997S

(12) **United States Design Patent**  
**Stuckey**

(10) **Patent No.:** **US D687,997 S**

(45) **Date of Patent:** **\*\* Aug. 13, 2013**

(54) **CORDLESS RECHARGEABLE LED LIGHT**

(56) **References Cited**

(71) Applicant: **Carl Stuckey**, Hilton Head Island, SC  
(US)

(72) Inventor: **Carl Stuckey**, Hilton Head Island, SC  
(US)

(\*\*) Term: **14 Years**

(21) Appl. No.: **29/436,156**

(22) Filed: **Nov. 1, 2012**

(51) **LOC (9) Cl.** ..... **26-05**

(52) **U.S. Cl.**  
USPC ..... **D26/62**

(58) **Field of Classification Search**  
USPC ..... D26/60-66, 106-109; 362/311.02,  
362/800, 285, 418, 427, 217.01-217.02,  
362/414, 183, 397, 220, 267-284, 287, 288

See application file for complete search history.

U.S. PATENT DOCUMENTS

D243,711 S *	3/1977	Haft .....	D26/62
D249,292 S *	9/1978	Ishikawa et al. ....	D26/62
D437,072 S *	1/2001	Newhouse .....	D26/63
D564,686 S *	3/2008	Anderson .....	D26/60

\* cited by examiner

*Primary Examiner* — Susan M Lee

*Assistant Examiner* — Linda G Brooks

(74) *Attorney, Agent, or Firm* — QuickPatents; Kevin Prince

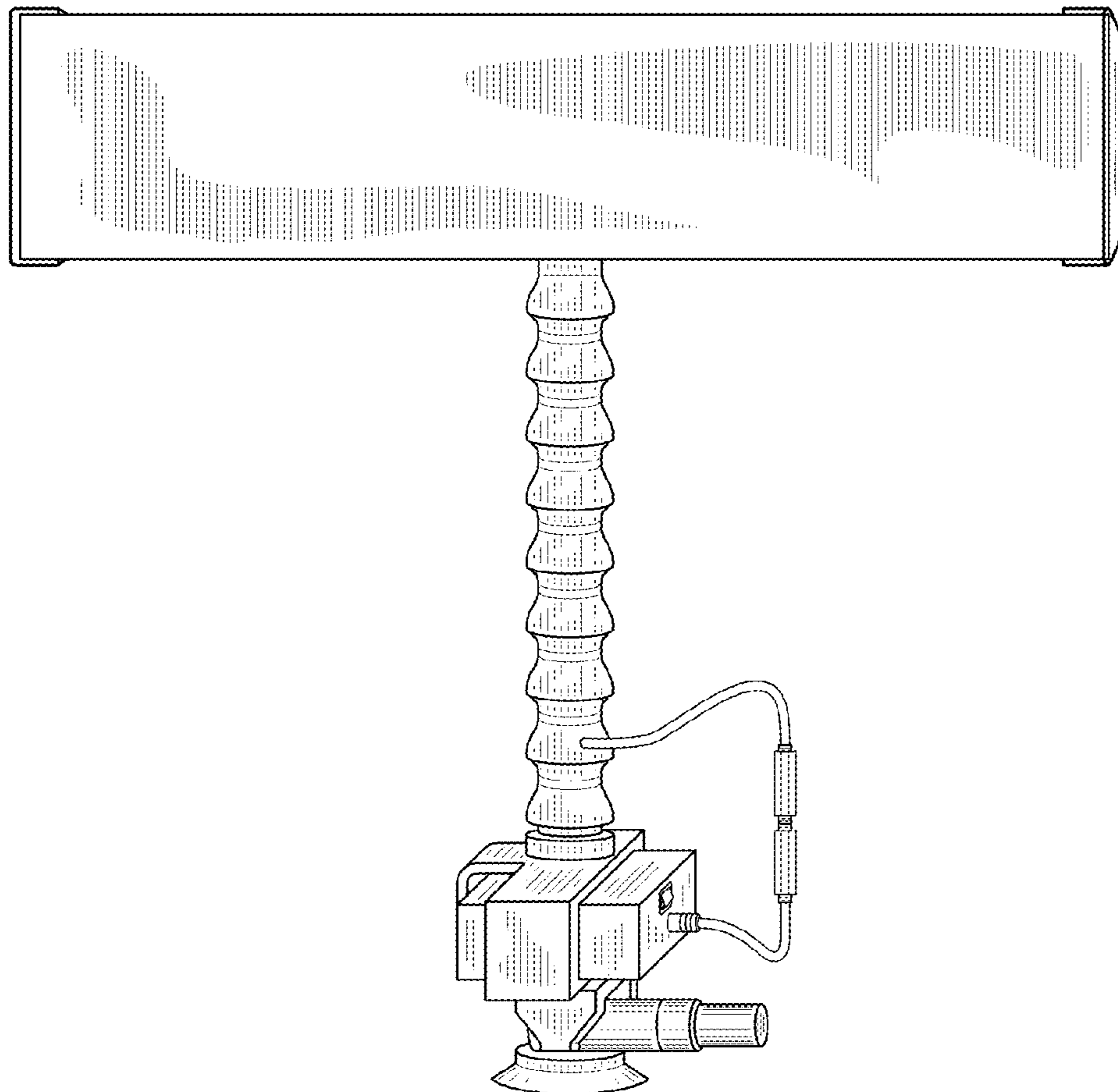
(57) **CLAIM**

I claim the ornamental design for a cordless rechargeable LED light, as shown and described.

**DESCRIPTION**

FIG. 1 is a front perspective view of a cordless rechargeable LED light, showing my new design;  
FIG. 2 is a front elevational view thereof;  
FIG. 3 is a rear elevational view thereof;  
FIG. 4 is a right-side elevational view thereof;  
FIG. 5 is a left-side elevational view thereof;  
FIG. 6 is a top plan view thereof; and,  
FIG. 7 is a bottom plan view thereof.

**1 Claim, 4 Drawing Sheets**



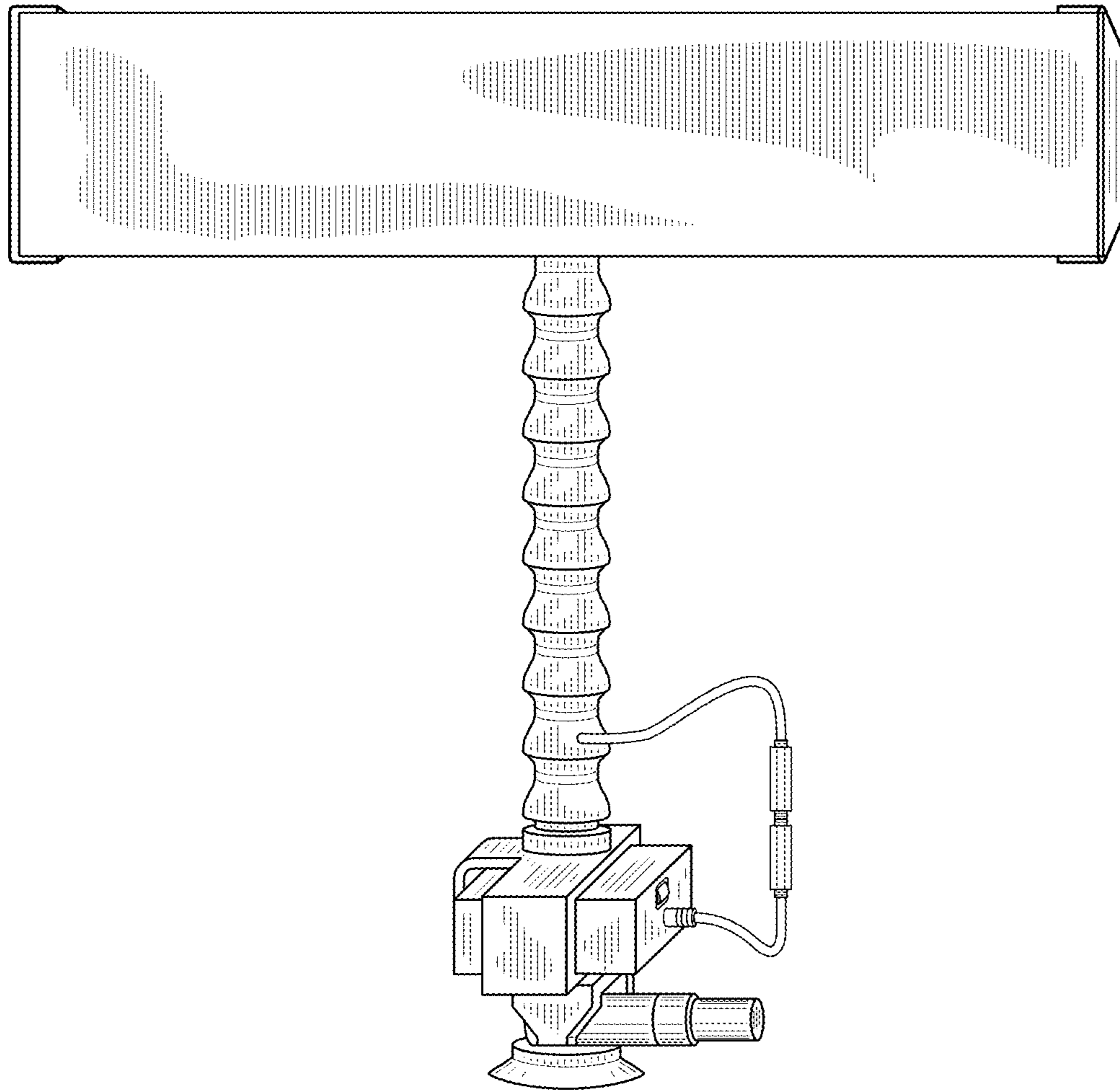


FIG. 1

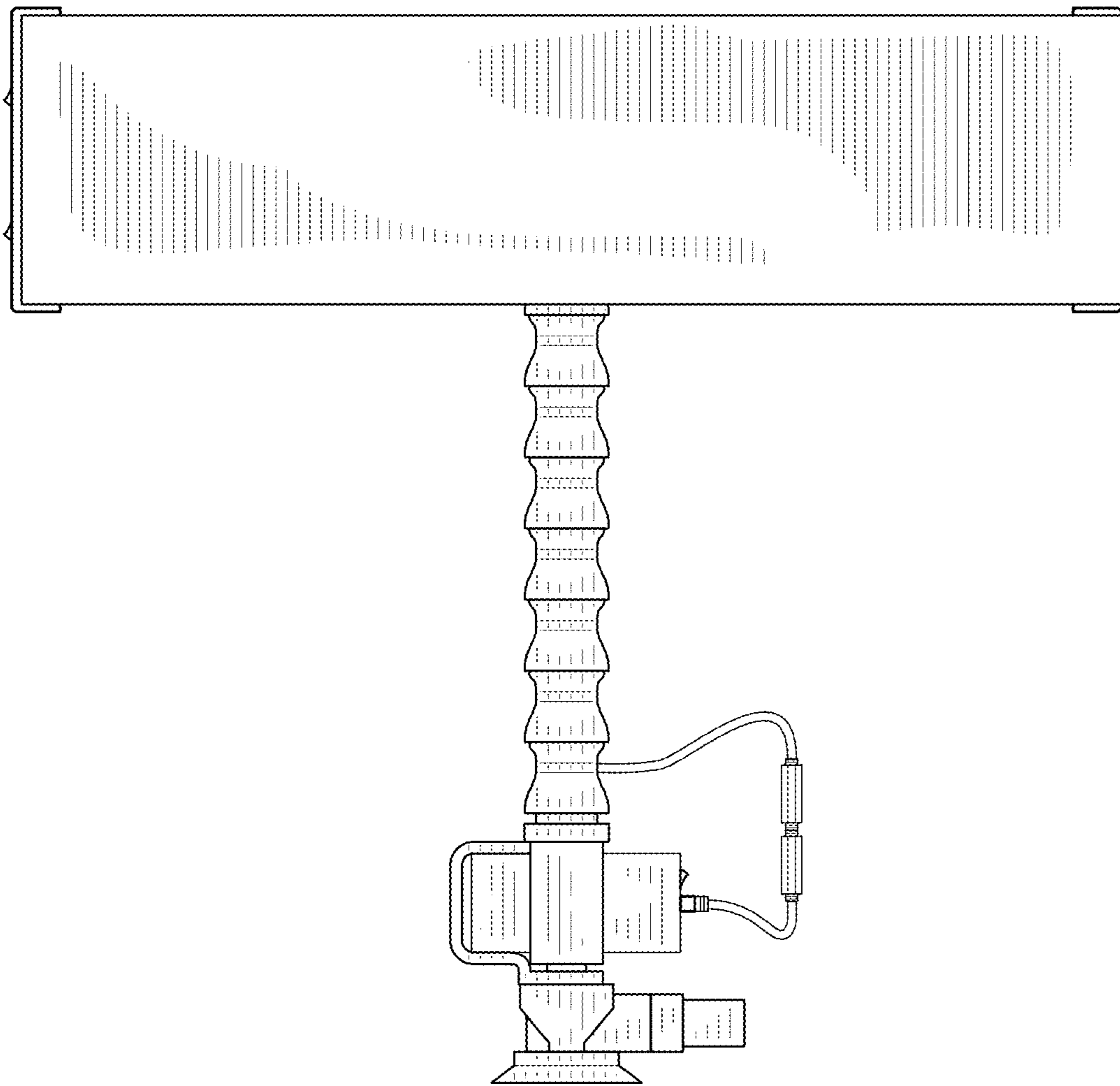


FIG. 2

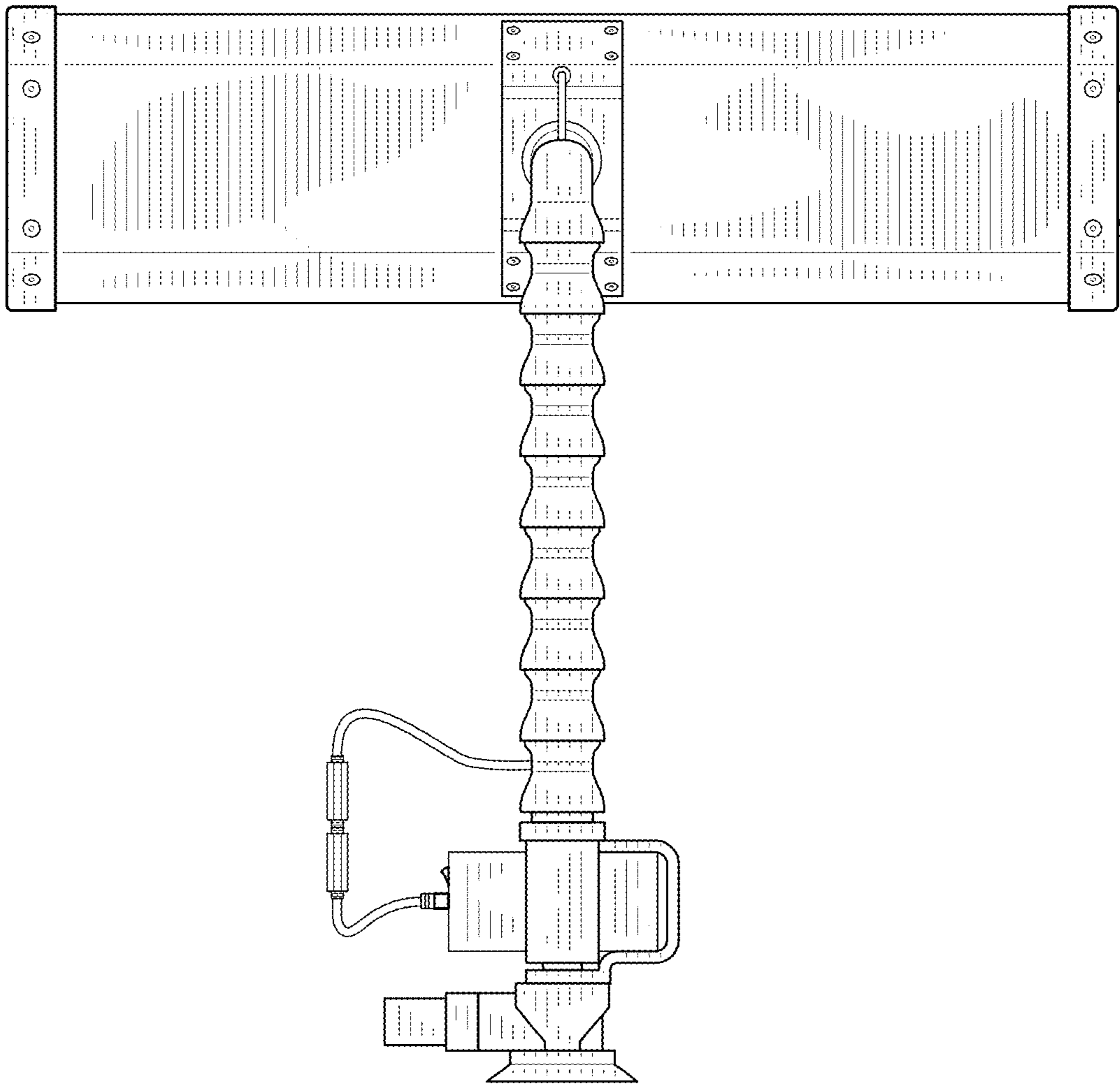


FIG. 3

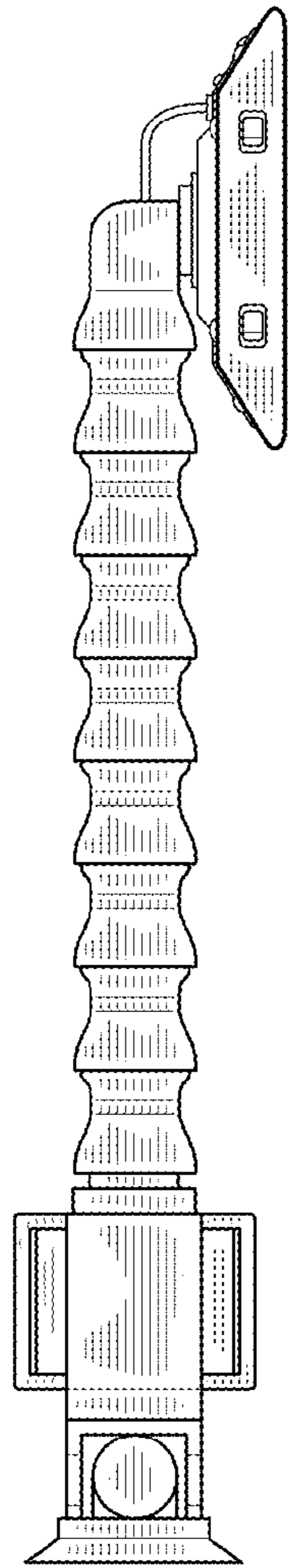


FIG. 4

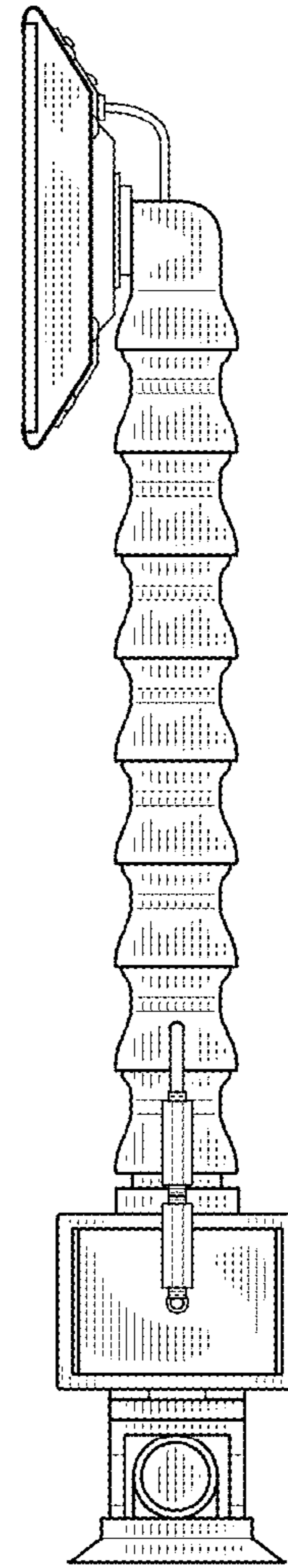


FIG. 5

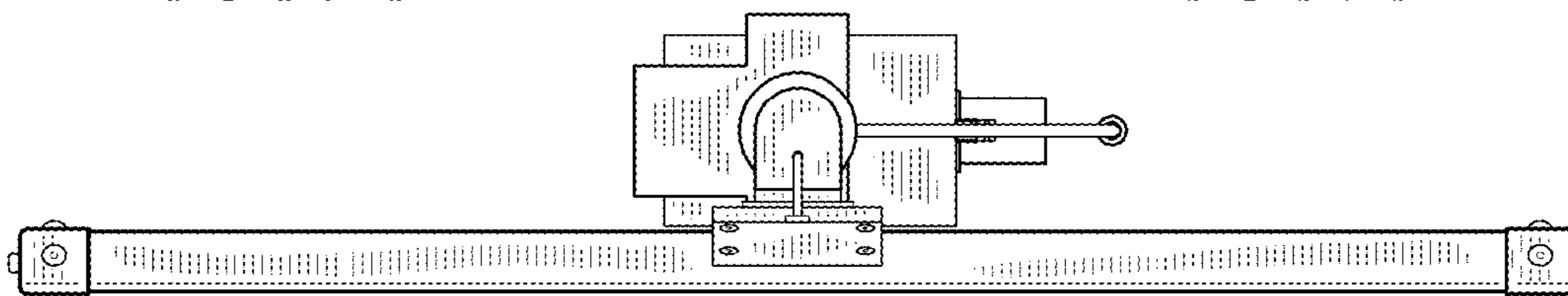


FIG. 6

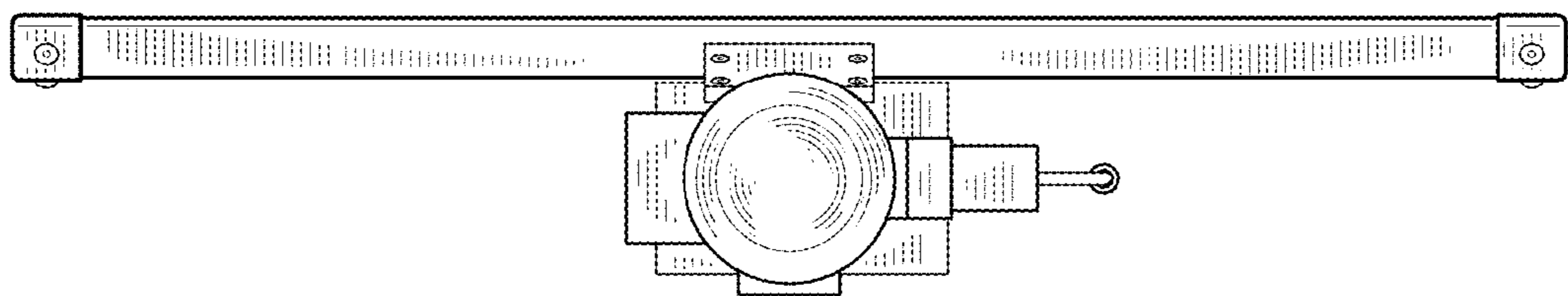


FIG. 7