



US00D687990S

(12) **United States Design Patent**
Yeh

(10) **Patent No.:** **US D687,990 S**

(45) **Date of Patent:** **** Aug. 13, 2013**

(54) **FLASHLIGHT**

(75) Inventor: **Hsueh-Chu Yeh**, Tainan (TW)

(73) Assignee: **Day Sun Industrial Corp.**, Tainan (TW)

(**) Term: **14 Years**

(21) Appl. No.: **29/420,913**

(22) Filed: **May 15, 2012**

(51) **LOC (9) Cl.** **26-02**

(52) **U.S. Cl.**
USPC **D26/46**

(58) **Field of Classification Search**
USPC D26/137, 138, 146, 148, 149; 362/157,
362/158, 183, 184, 194–196, 202–208
See application file for complete search history.

(56) **References Cited**

U.S. PATENT DOCUMENTS

D336,965 S *	6/1993	Yau	D26/49
D452,025 S *	12/2001	Poon	D26/49
D484,627 S *	12/2003	Mah	D26/49
D488,876 S *	4/2004	Kotani	D26/49
D550,873 S *	9/2007	Garrity	D26/49
D557,845 S *	12/2007	Yang	D26/49
D565,768 S *	4/2008	Shiu	D26/49
D601,284 S *	9/2009	Schonenbach	D26/46
D641,509 S *	7/2011	Wang	D26/46

D641,510 S *	7/2011	Wang	D26/46
D641,512 S *	7/2011	Wang	D26/46
D650,503 S *	12/2011	Wang	D26/46
D656,650 S *	3/2012	Yeh	D26/46
D664,693 S *	7/2012	Yeh	D26/46

* cited by examiner

Primary Examiner — Ian Simmons

Assistant Examiner — Carissa C Fitts

(74) *Attorney, Agent, or Firm* — Alan Kamrath; Kamrath IP Lawfirm, P.A.

(57) **CLAIM**

The ornamental design for a flashlight, as shown and described.

DESCRIPTION

FIG. 1 is a perspective view of a flashlight showing my new design;

FIG. 2 is a front side elevational view thereof;

FIG. 3 is a rear side elevational view thereof;

FIG. 4 is a left side elevational view thereof;

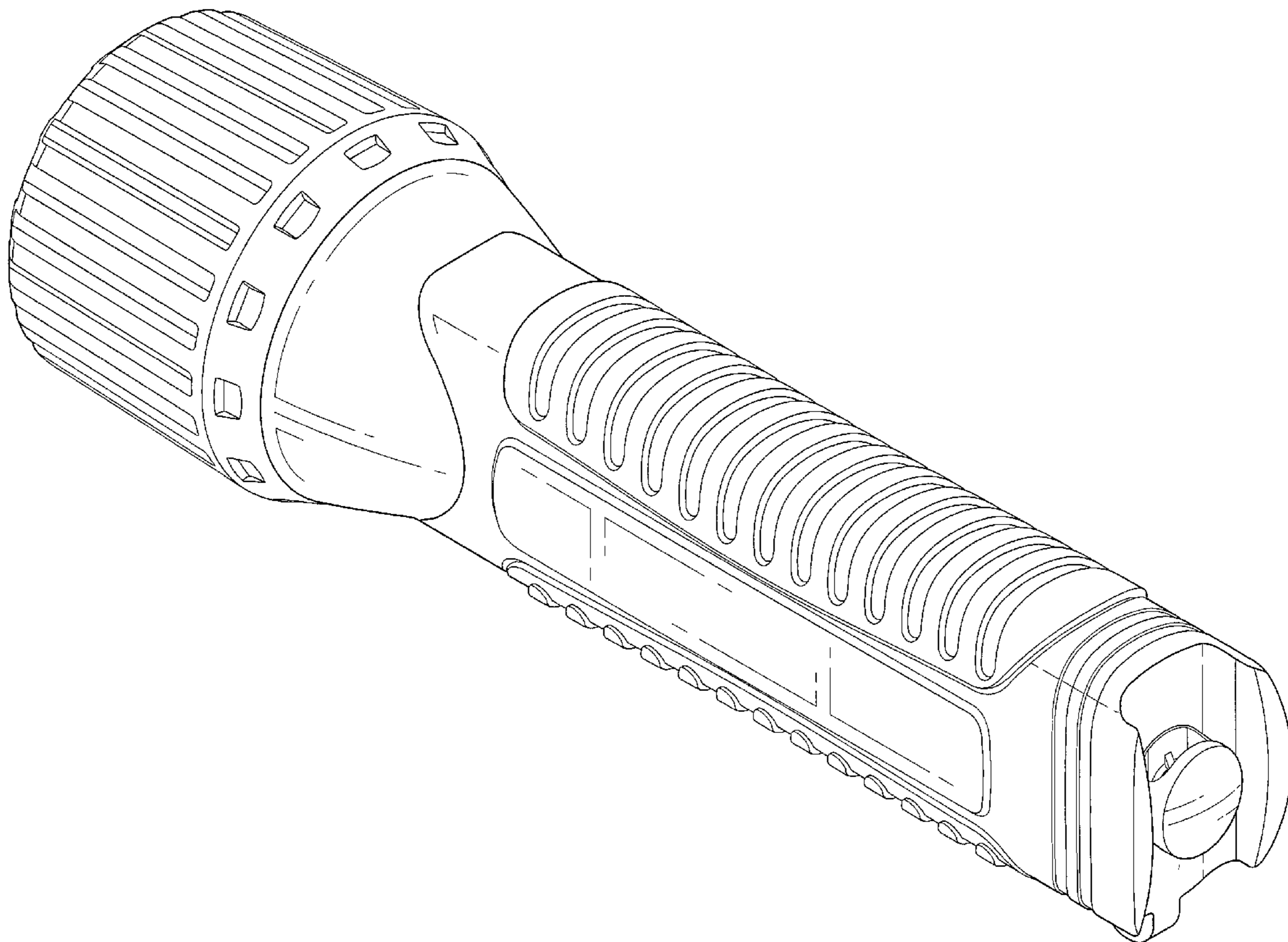
FIG. 5 is a right side elevational view thereof;

FIG. 6 is a top plan view thereof; and,

FIG. 7 is a bottom plan view thereof.

The broken line showing is for environmental purposes only and forms no part of the claimed design.

1 Claim, 6 Drawing Sheets



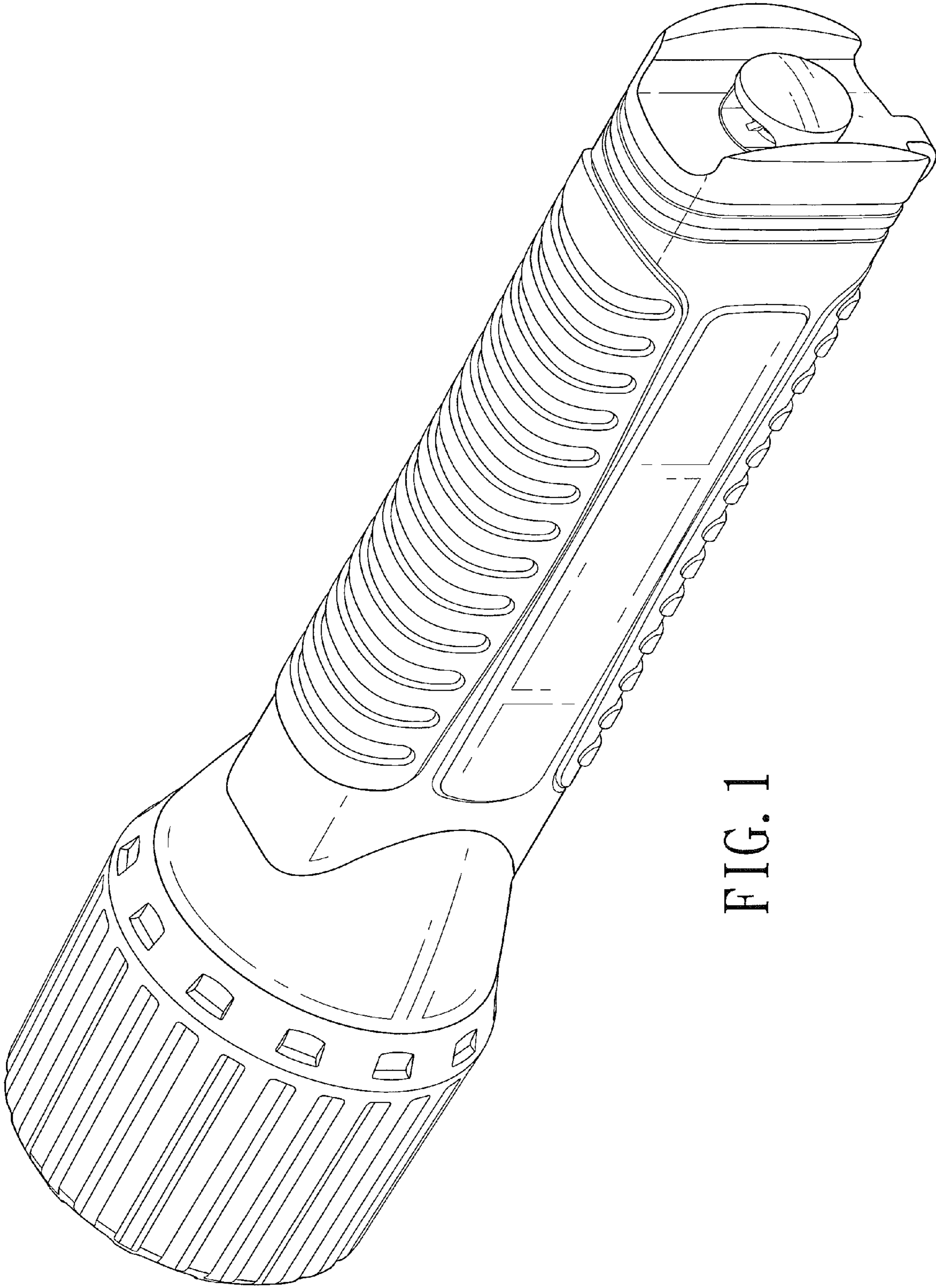


FIG. 1

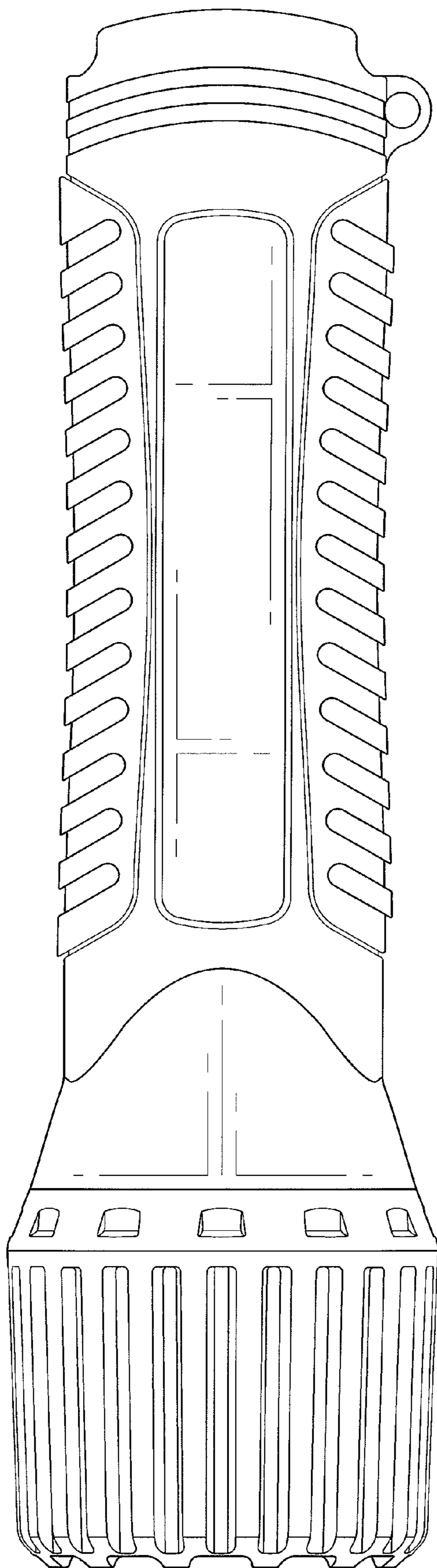


FIG. 2

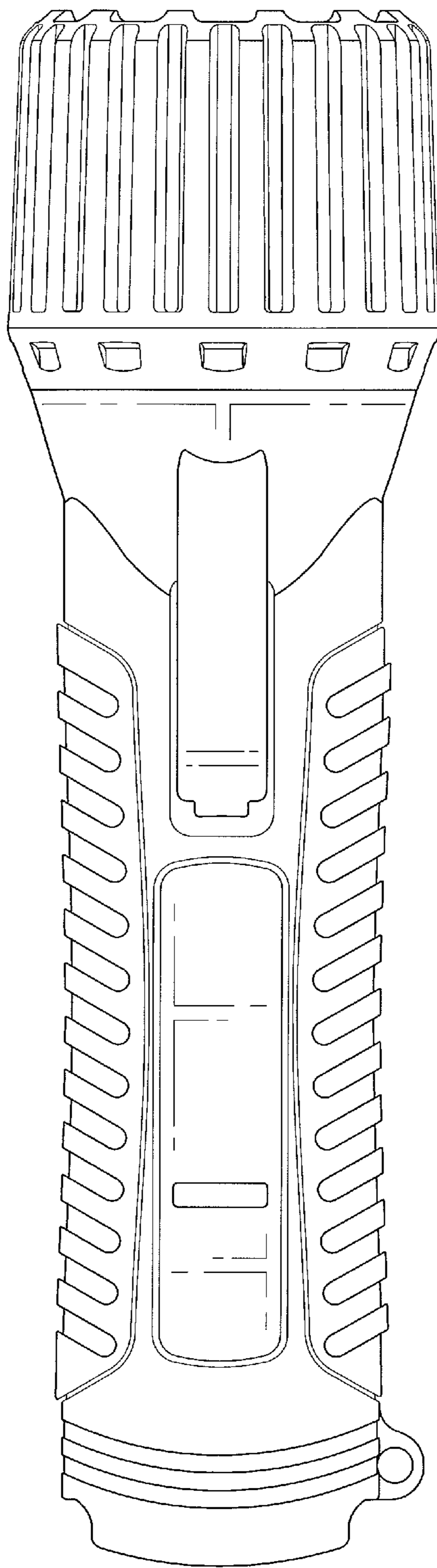


FIG. 3

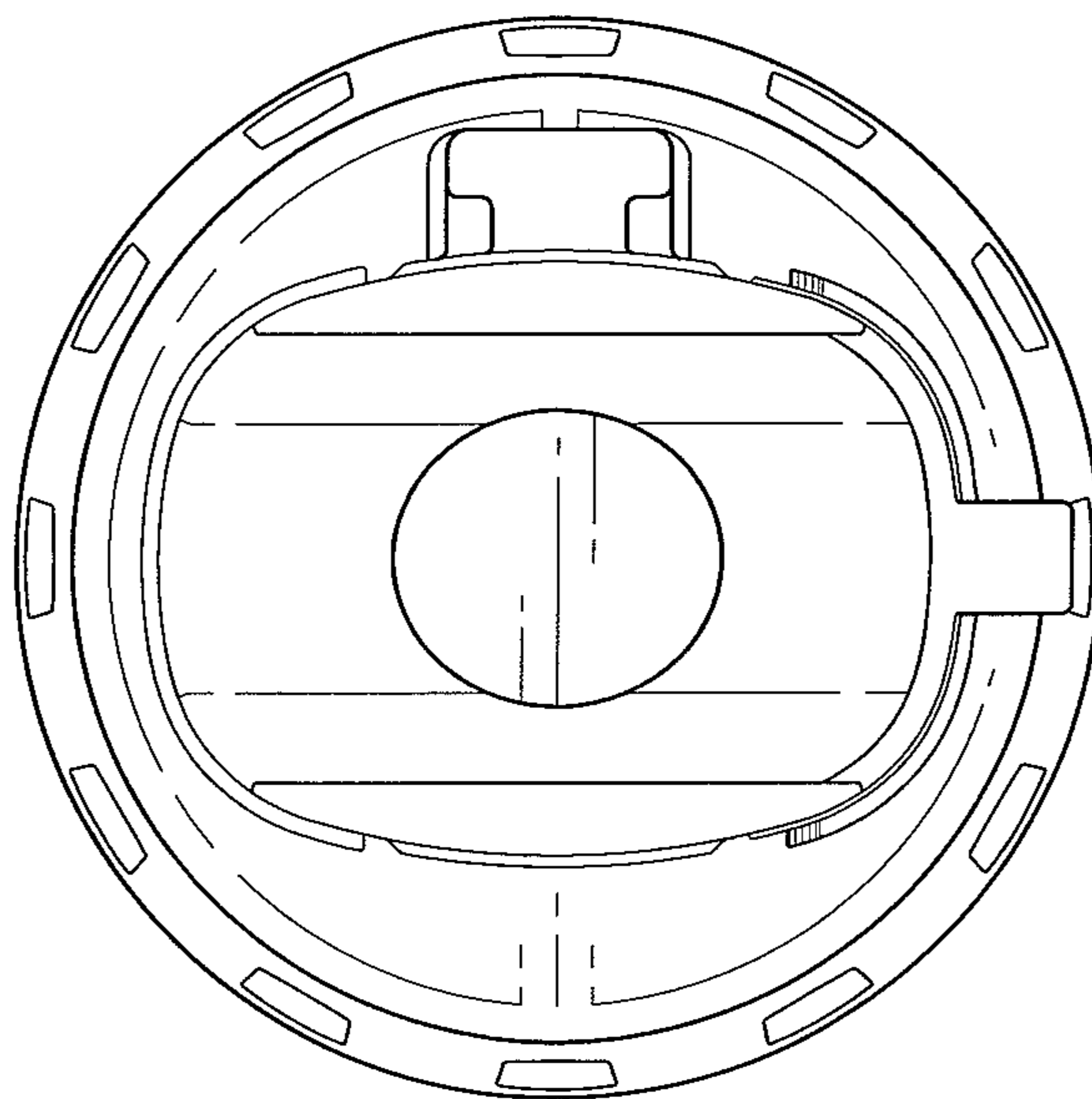


FIG. 5

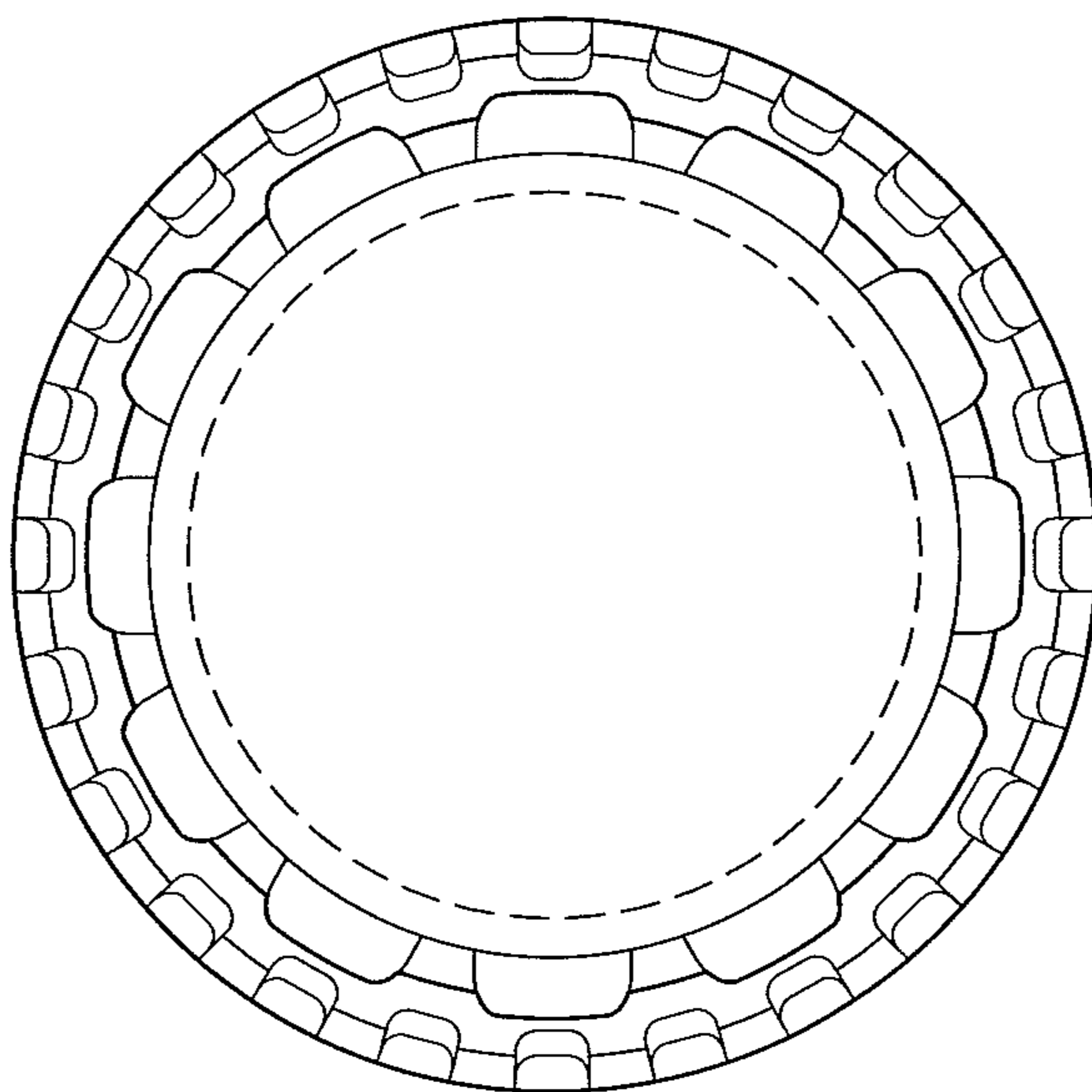


FIG. 4

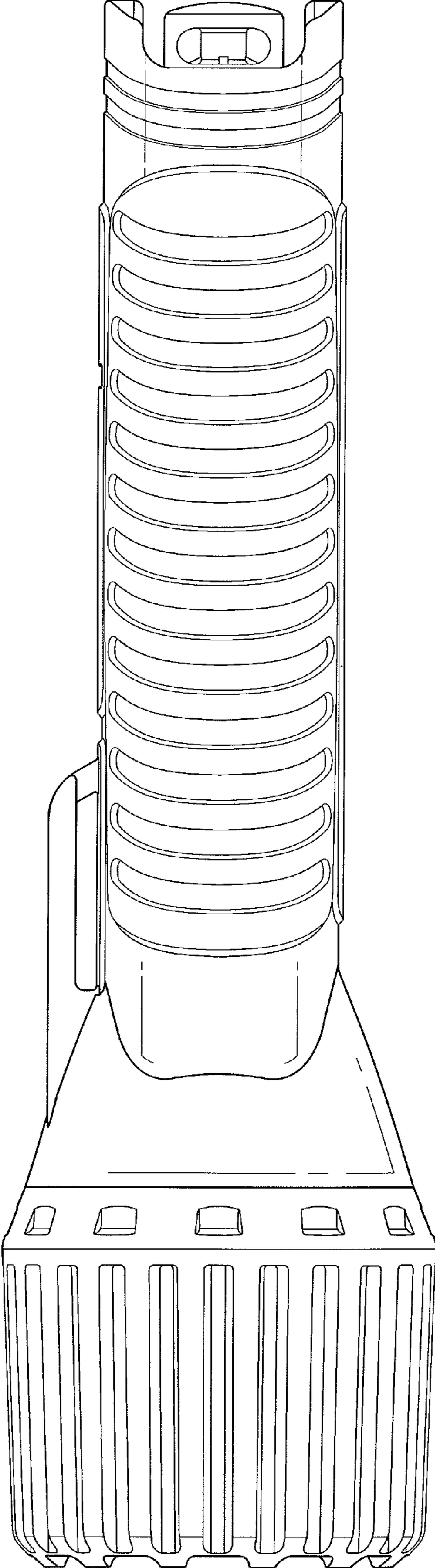


FIG. 6

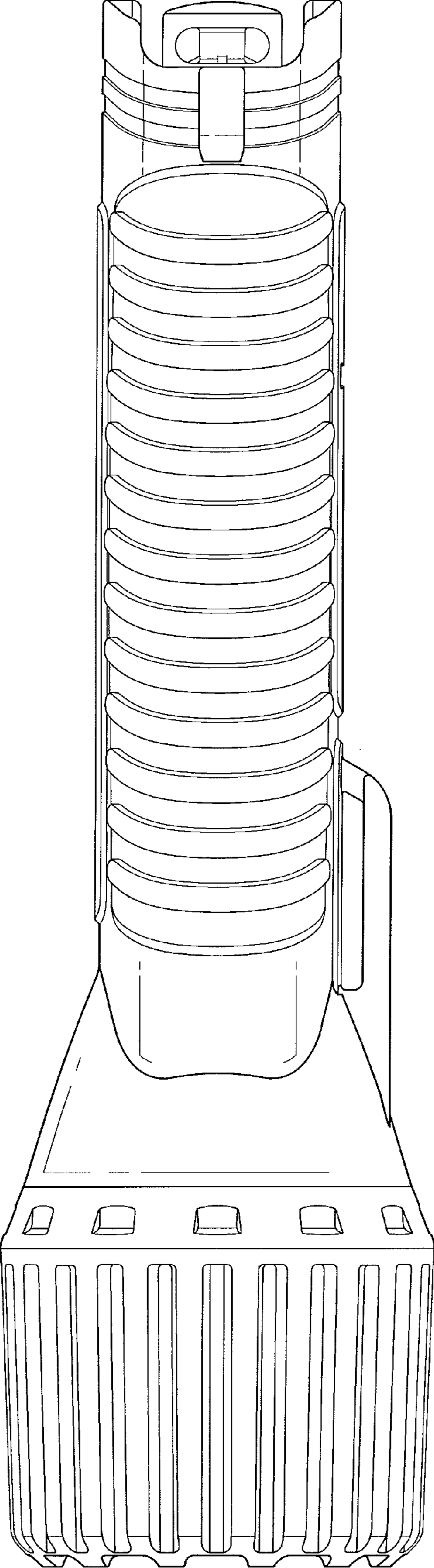


FIG. 7