



US00D687986S

(12) **United States Design Patent**
Maxik et al.

(10) **Patent No.:** **US D687,986 S**

(45) **Date of Patent:** **** Aug. 13, 2013**

(54) **LUMINAIRE**

(71) Applicant: **Lighting Science Group Corporation**,
Satellite Beach, FL (US)

(72) Inventors: **Fredric S. Maxik**, Indialantic, FL (US);
David Henderson, Indialantic, FL (US);
Mark Penley Boomgaarden, Indian
Harbour Beach, FL (US); **Addy S.**
Widjaja, Palm Bay, FL (US); **Emilio**
Flores, Indian Harbor, FL (US); **Shane**
Sullivan, Indialantic, FL (US); **Wei Sun**,
Indialantic, FL (US)

(73) Assignee: **Lighting Science Group Corporation**,
Satellite Beach, FL (US)

(**) Term: **14 Years**

(21) Appl. No.: **29/437,695**

(22) Filed: **Nov. 20, 2012**

Related U.S. Application Data

(62) Division of application No. 29/425,136, filed on Jun.
20, 2012, now Pat. No. Des. 674,928, which is a
division of application No. 29/416,010, filed on Mar.
16, 2012, now Pat. No. Des. 674,923, which is a
division of application No. 29/360,985, filed on May 4,
2010, now Pat. No. Des. 659,266.

(51) **LOC (9) Cl.** **26-04**

(52) **U.S. Cl.**
USPC **D26/2**

(58) **Field of Classification Search**
USPC D26/1-4; 313/313, 315, 316, 317,
313/318, 493; 315/52, 53, 56, 57, 58
See application file for complete search history.

(56) **References Cited**

U.S. PATENT DOCUMENTS

4,375,607 A 3/1983 Morton et al.
4,392,076 A 7/1983 Ishler et al.

(Continued)

FOREIGN PATENT DOCUMENTS

WO 2006118457 11/2006
WO 2008113837 A2 9/2008

OTHER PUBLICATIONS

<http://img.diytrade.com/cdimg/395588/7678937/...> <http://images.google.com/imgres?imgurl=http://img.diytrade.com/cdimg/3...>

(Continued)

Primary Examiner — Marcus Jackson

(74) *Attorney, Agent, or Firm* — Cantor Colburn LLP

(57) **CLAIM**

We claim, the ornamental design for a luminaire, as shown and described.

DESCRIPTION

FIG. 1 is a side plan view of the invention, the luminaire being symmetric about a center axis;

FIG. 2 is a top plan view of the luminaire of FIG. 1;

FIG. 3 is a bottom plan view of the luminaire of FIG. 1;

FIG. 4 is a first perspective view of the luminaire of FIG. 1; and,

FIG. 5 is a second perspective view of the luminaire of FIG. 1.

The degree of transparency or opaqueness of the lens of the luminaire forms no part of the claimed design. The lens of the claimed luminaire may have facets, lenslets or other treatments.

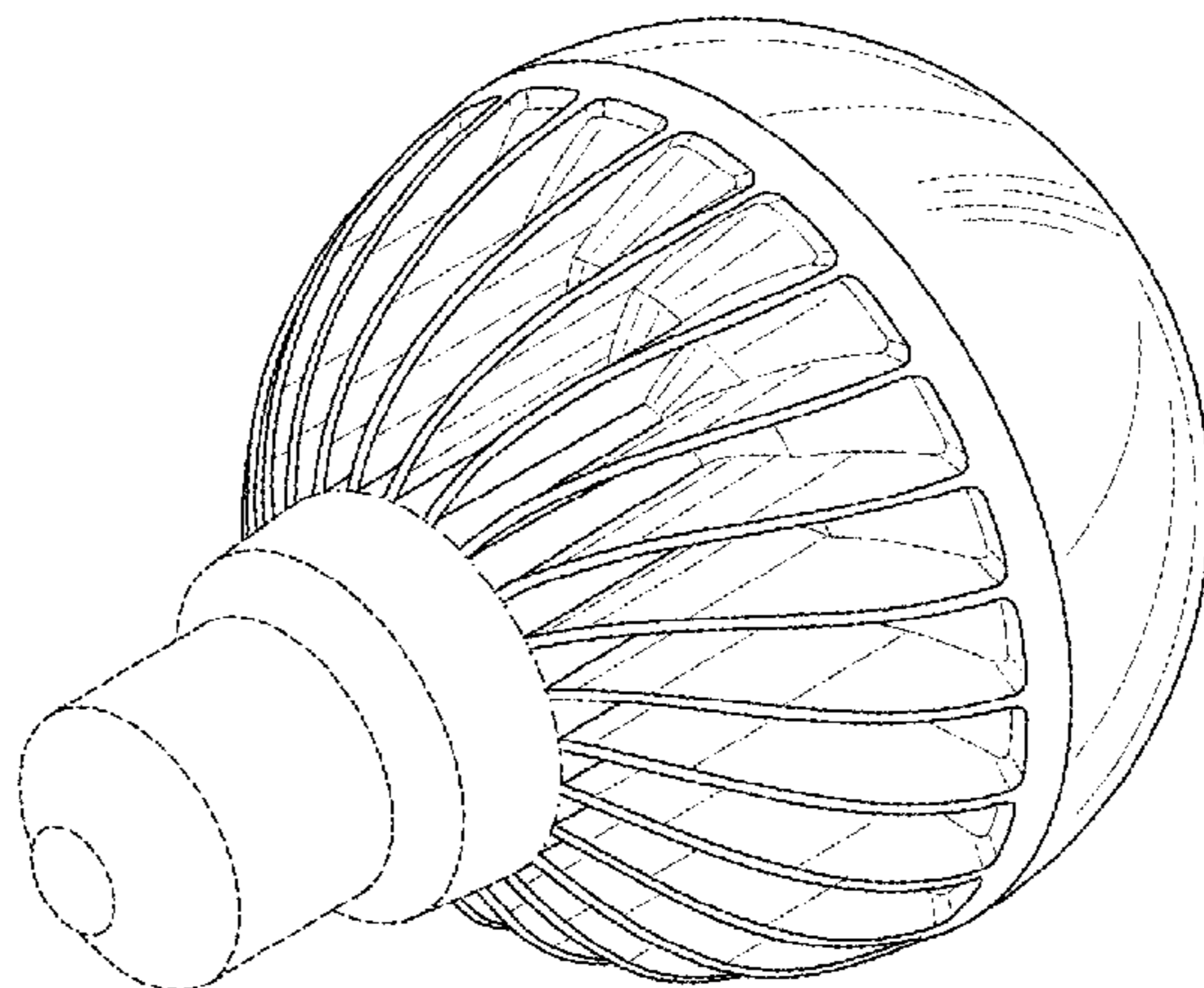
The dash-dot-dot lines shown between the heat sink portion and base portion in FIGS. 1, 3 and 5 indicate that the heat sink portion may be of any length.

The phantom lines shown in FIG. 1-5 are included for the purpose of illustration only and not part of the claimed design. The color and shading of the luminaire forms no part of the claimed design, the luminaire according to the claimed design may be any color or combination of colors.

The surface treatment of the luminaire forms no part of the claimed design, the luminaire of the claimed design may have any surface treatment.

References to “side”, “top”, and “bottom” in the figure descriptions are not meant to require certain in-use orientation; a luminaire according to the claimed design may be used in any orientation.

1 Claim, 5 Drawing Sheets



US D687,986 S

Page 2

U.S. PATENT DOCUMENTS

D271,424 S	11/1983	Young et al.	D600,850 S	9/2009	Maxik et al.
D307,805 S	5/1990	Noe	D601,276 S	9/2009	Grajcar
D321,260 S	10/1991	Bowman	D601,277 S	9/2009	Grajcar
5,458,505 A	10/1995	Prager	D601,278 S	9/2009	Takahashi
D391,006 S	2/1998	Yang	D601,279 S	9/2009	Ou et al.
5,791,769 A	8/1998	Yang	D607,586 S	1/2010	Ko
D470,610 S	2/2003	Bobel	D608,478 S	1/2010	Maxik et al.
6,515,433 B1	2/2003	Ge et al.	D610,271 S	2/2010	Bi
D480,486 S	10/2003	Kakuno et al.	D610,722 S	2/2010	Bi
6,655,823 B2	12/2003	Chang	D612,956 S	3/2010	Moon
6,786,625 B2	9/2004	Wesson	D613,433 S	4/2010	Moon
D497,439 S	10/2004	Shaw et al.	7,717,590 B1	5/2010	Li
6,848,812 B1	2/2005	Hsieh	D617,915 S	6/2010	Wada et al.
D508,575 S	8/2005	Buschmann et al.	D618,369 S	6/2010	Lee et al.
D516,229 S	2/2006	Tang	D620,153 S	7/2010	Wang et al.
D527,119 S	8/2006	Maxik et al.	D623,777 S	9/2010	Moon et al.
D528,227 S	9/2006	Chou et al.	D623,778 S	9/2010	Moon et al.
D528,673 S	9/2006	Maxik et al.	D623,779 S	9/2010	Wang et al.
D531,741 S	11/2006	Takahashi	D624,214 S	9/2010	Thomas et al.
D534,665 S	1/2007	Egawa et al.	D624,215 S	9/2010	Moon et al.
D538,950 S	3/2007	Maxik	D624,669 S	9/2010	Tsai
D538,951 S	3/2007	Maxik et al.	D625,437 S	10/2010	Zhang et al.
D538,952 S	3/2007	Maxik et al.	D626,260 S	10/2010	Wei
D541,957 S	5/2007	Wang	D626,667 S	11/2010	Jonsson et al.
D545,457 S	6/2007	Chen	D627,087 S	11/2010	Jonsson et al.
7,226,189 B2	6/2007	Lee et al.	D628,322 S	11/2010	Sakai et al.
D560,286 S	1/2008	Maxik et al.	D628,720 S	12/2010	Wang
D566,300 S	4/2008	Lo	D629,129 S	12/2010	Lin et al.
7,367,688 B1	5/2008	Bucher et al.	D629,930 S	12/2010	Cotter et al.
D570,504 S	6/2008	Maxik et al.	D634,031 S	3/2011	de Visser et al.
D570,505 S	6/2008	Maxik et al.	D634,037 S	3/2011	Jeong et al.
D572,385 S	7/2008	Mazzochette et al.	D666,748 S *	9/2012	Kim et al. D26/2
7,434,964 B1	10/2008	Zheng et al.	2006/0215408 A1	9/2006	Lee
D581,554 S	11/2008	To et al.	2007/0285926 A1	12/2007	Maxik
D581,583 S	11/2008	Peng	2008/0253125 A1	10/2008	Kang et al.
7,448,772 B2	11/2008	Hampton	2009/0141500 A1	6/2009	Peng
D582,578 S	12/2008	Tsai et al.	2009/0296402 A1	12/2009	Chang et al.
D584,428 S	1/2009	Li et al.	2010/0027270 A1	2/2010	Huang et al.
D584,837 S	1/2009	Mazzochette et al.	2010/0091487 A1	4/2010	Shin
D586,497 S	2/2009	Wu et al.			
7,513,653 B1	4/2009	Liu et al.			
D592,766 S	5/2009	Zhu et al.			
D593,222 S	5/2009	To et al.			
D594,143 S	6/2009	Montagnat et al.			
D594,995 S	6/2009	Komar			
D595,893 S	7/2009	Maxik et al.			
D597,704 S	8/2009	Peng			
D599,041 S	8/2009	Yoo			

OTHER PUBLICATIONS

SP-E27 LB60 Nicha / Cree LED Lamp, posted Dec. 18, 2008, http://www.diytrade.com/china/4/products/4950147/SP-E27_LB60_Nicha_Cree_LED_Lamp.html, accessed Jun. 30, 2009.
F.S. Maxik, "GU10 Lamp" Office Action mailed Mar. 16, 2011; U.S. Appl. No. 29/340,670, filed Jul. 23, 2009.

* cited by examiner

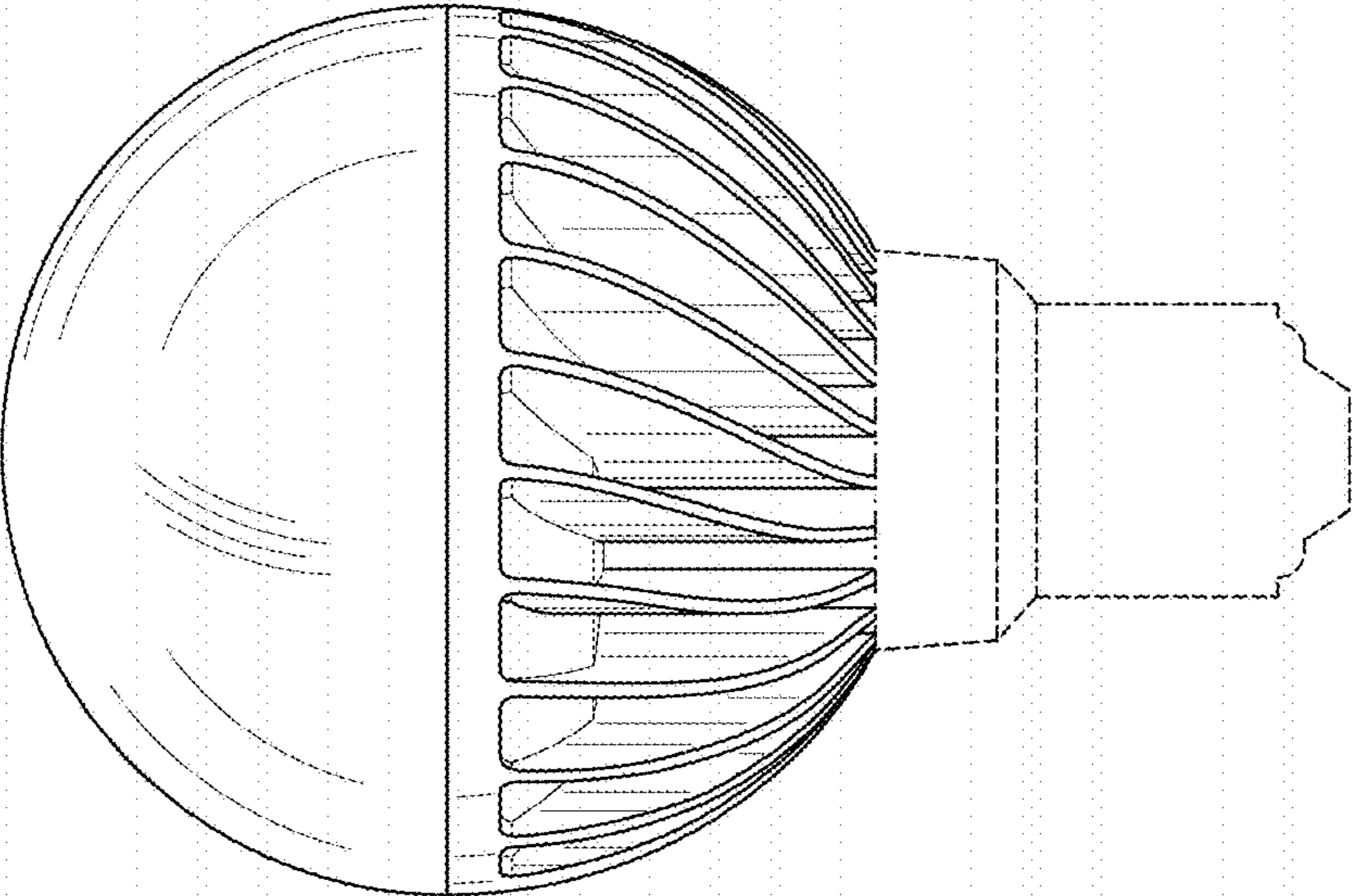


FIG. 1

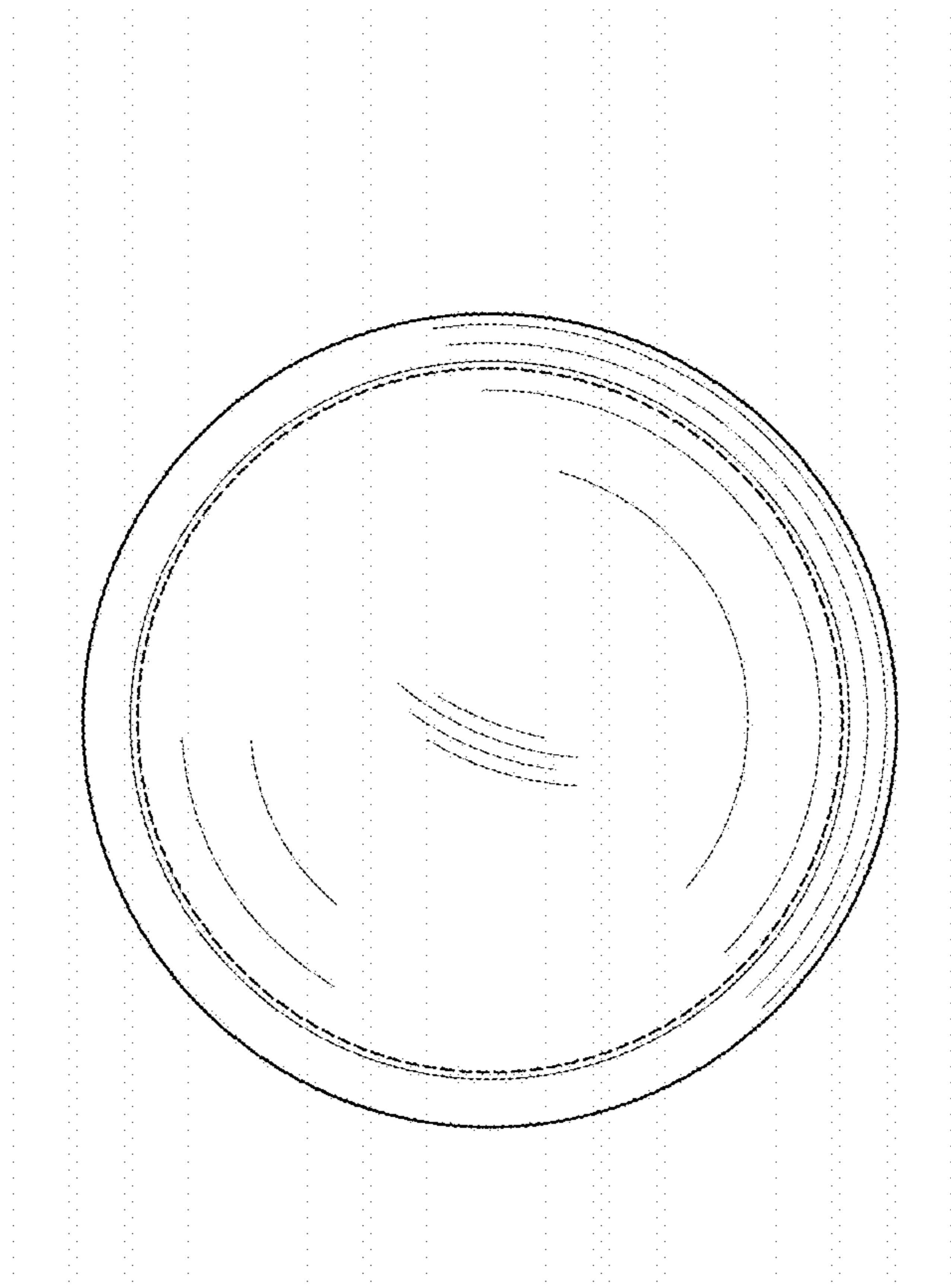


FIG. 2

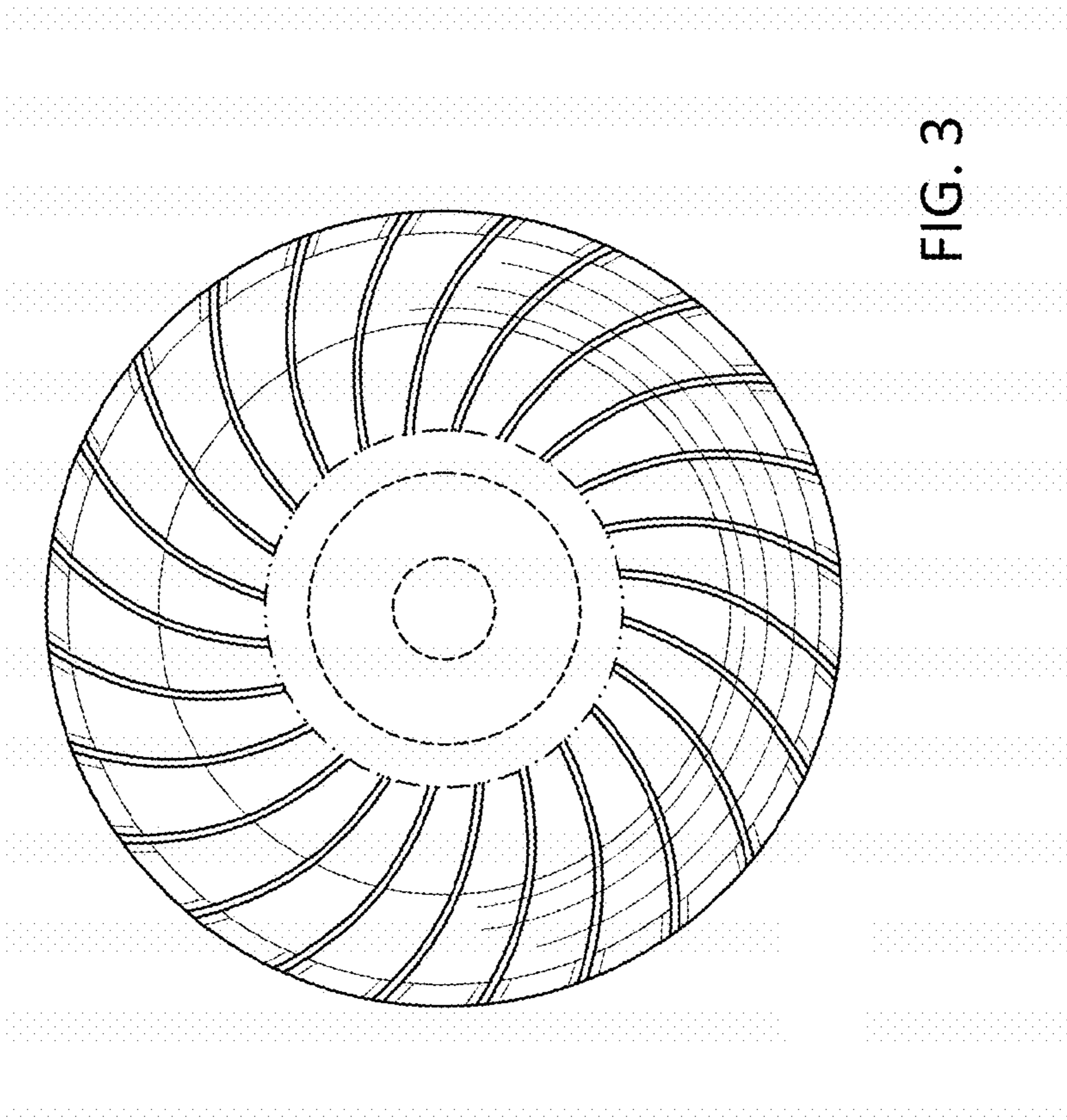


FIG. 3

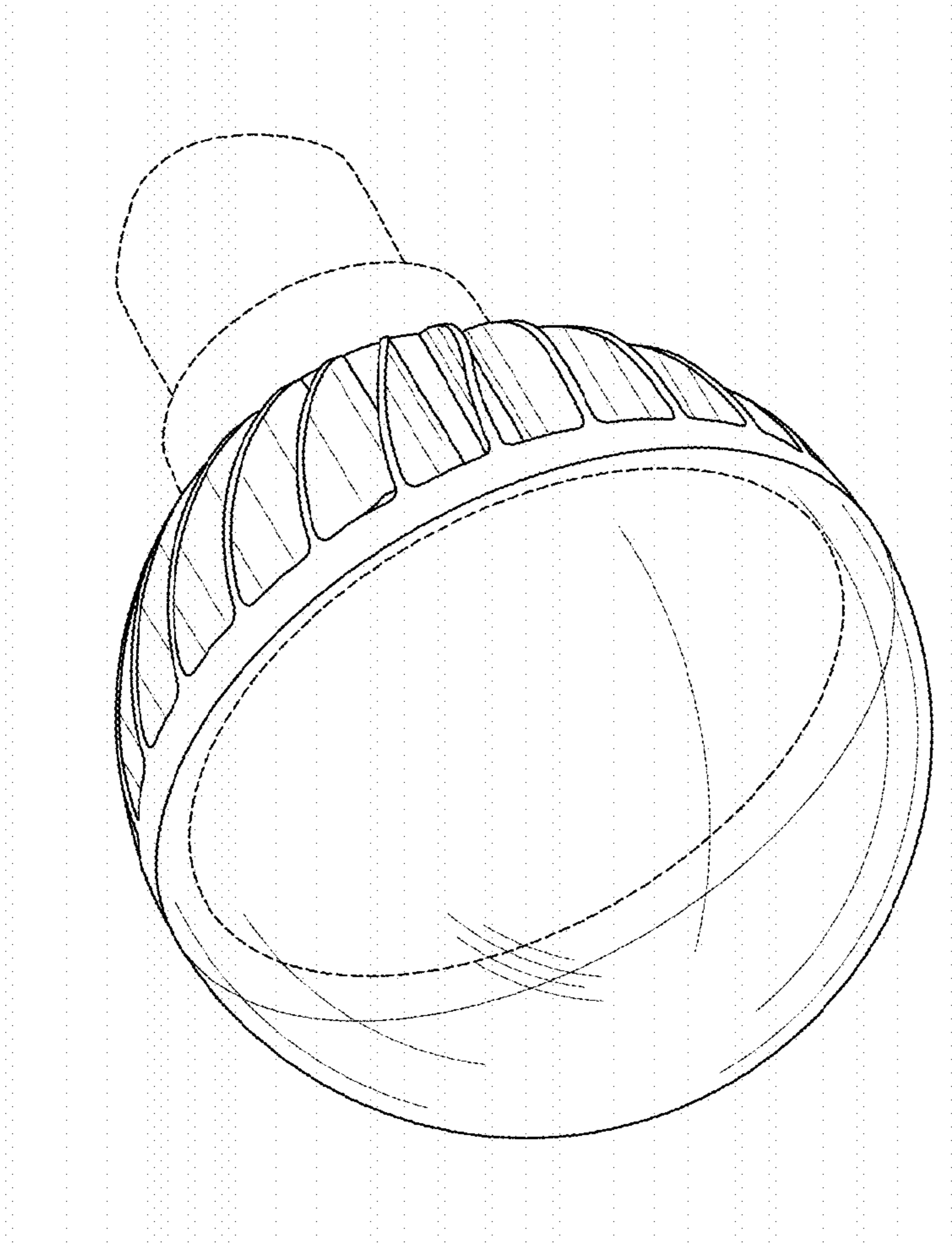


FIG. 4

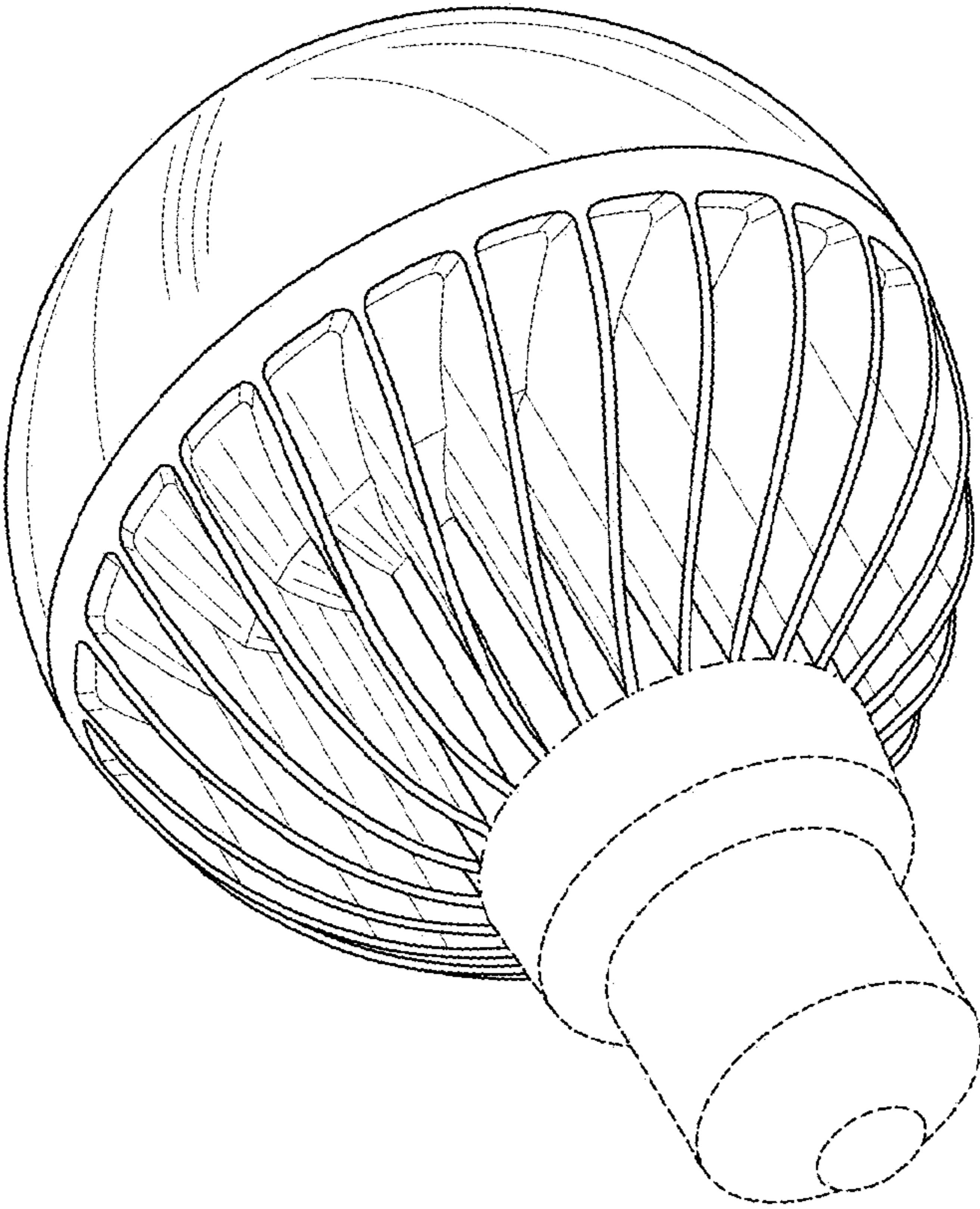


FIG. 5